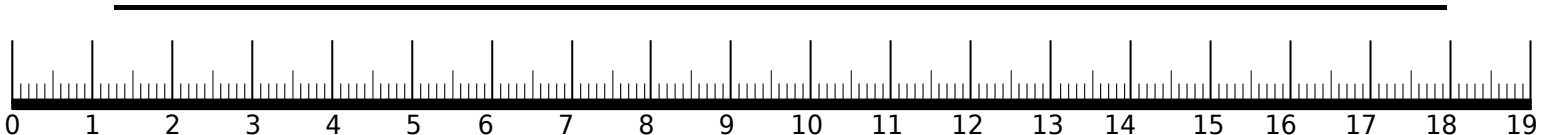
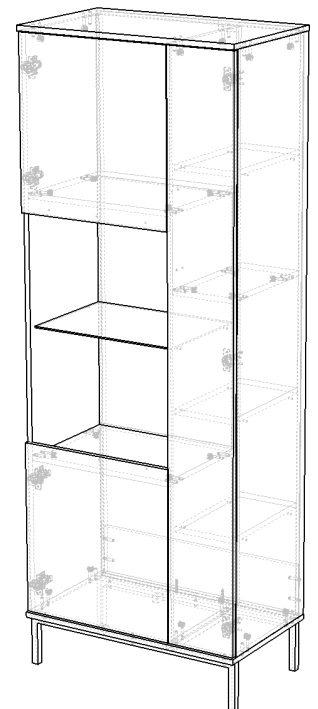
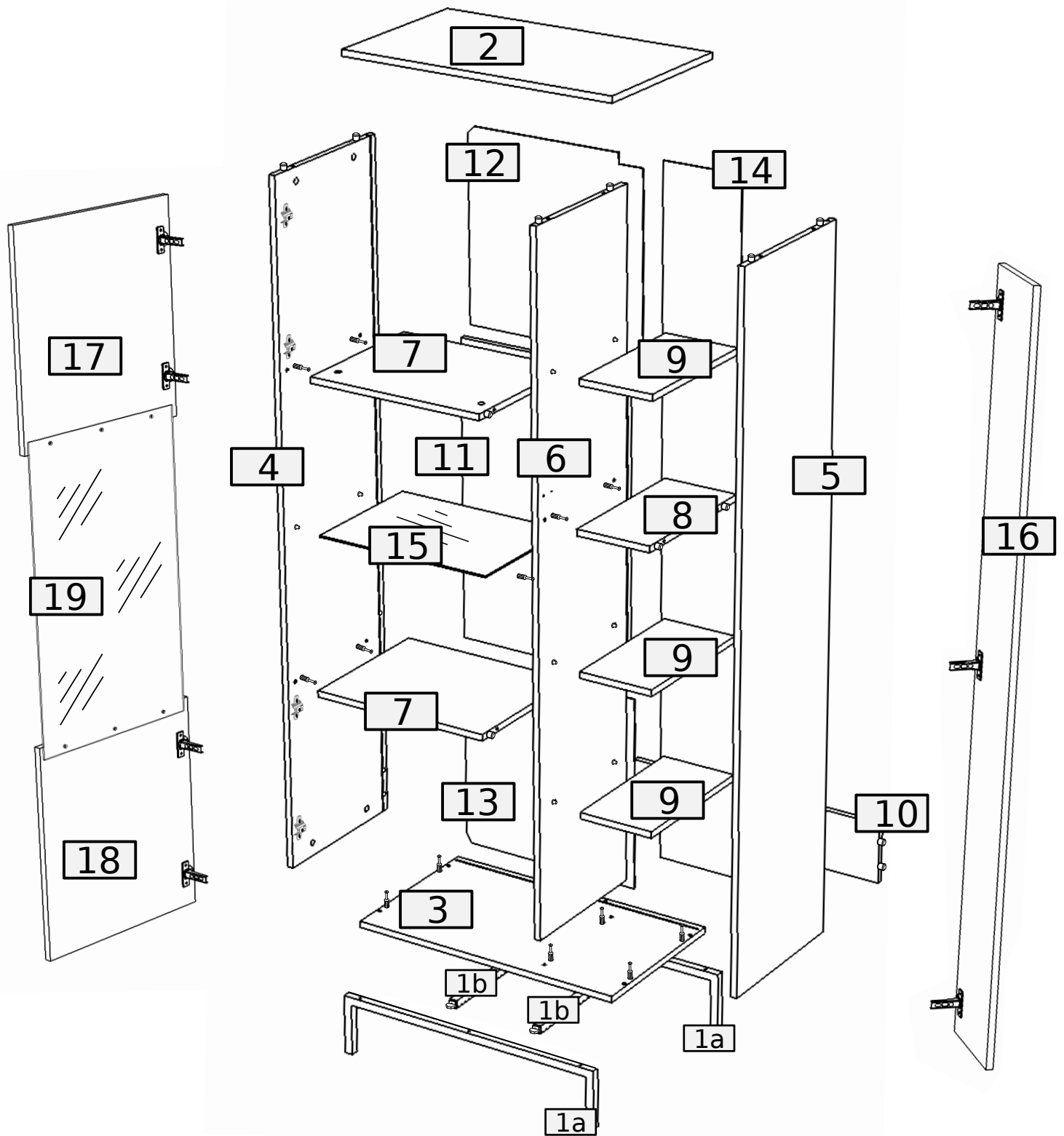


24	24	28	14	7	10	8	7
B	A	8.0x35	D 3.5x16 W2	PZ G	G	I 3.5x16 W4	W4
X	S3	S4	KS	Z1	PTS	G4	O
20	12	4	1	7	2	12	2

G1	T ø8	X2
4	6	2

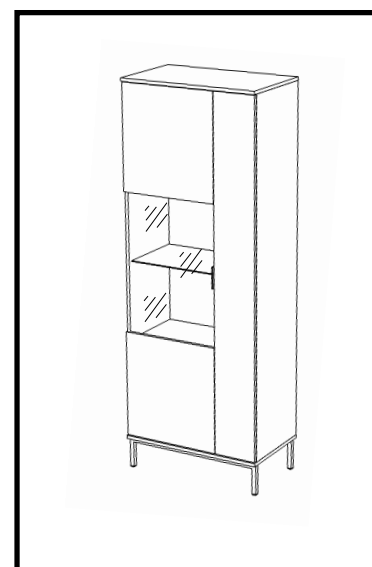
4.0x35 W11
6

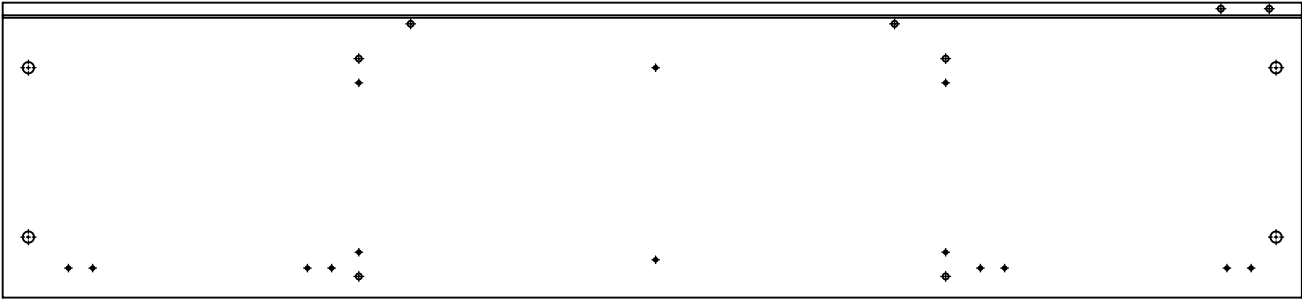




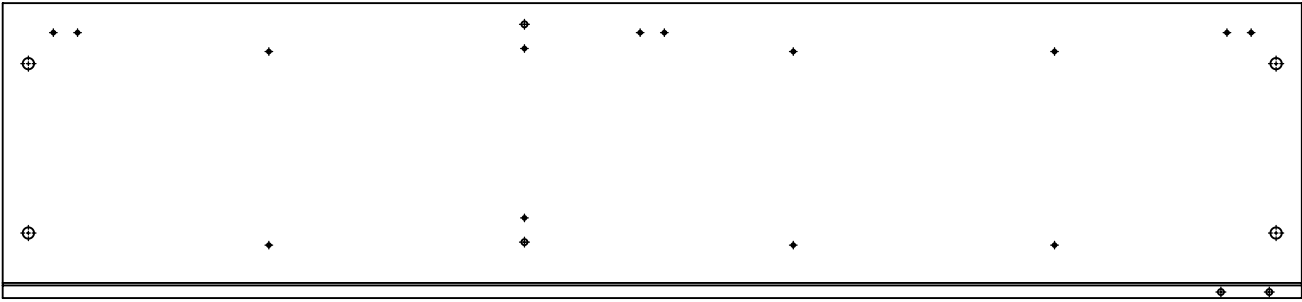
No.	Pcs.	L	W	D	Pac
1a	2	690	150	20	2/3
1b	2	330	20	20	2/3
2	1	700	410	16	2/3
3	1	700	410	16	2/3
4	1	1718	390	16	1/3
5	1	1718	390	16	1/3
6	1	1718	370	16	1/3
7	2	461	370	16	2/3
8	1	189	370	16	2/3
9	3	189	360	16	2/3
10	1	666	150	16	1/3

11	1	759	461	16	3/3
12	1	485	476	3	3/3
13	1	485	476	3	3/3
14	1	1732	204	3	1/3
15	1	460	334	4	3/3
16	1	1712	210	16	1/3
17	1	516	482	16	3/3
18	1	516	482	16	3/3
19	1	740	456	4	3/3

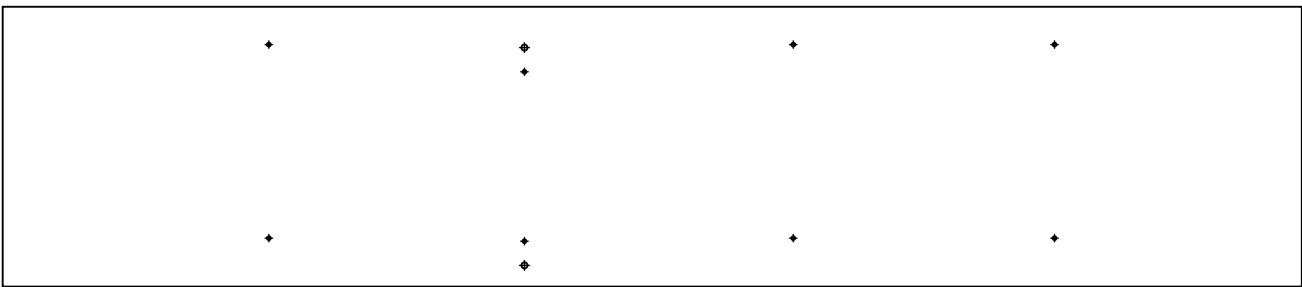




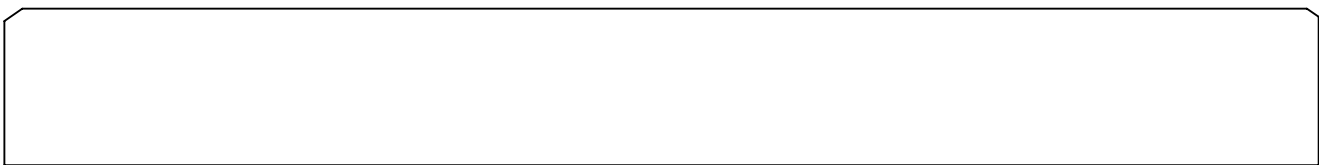
4. 1718x390x16 mm



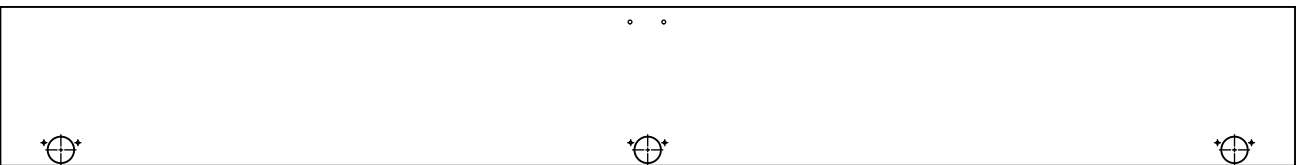
5. 1718x390x16 mm



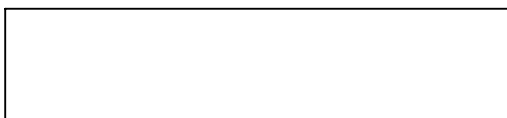
6. 1718x370x16 mm



14. 1732x204x3 mm

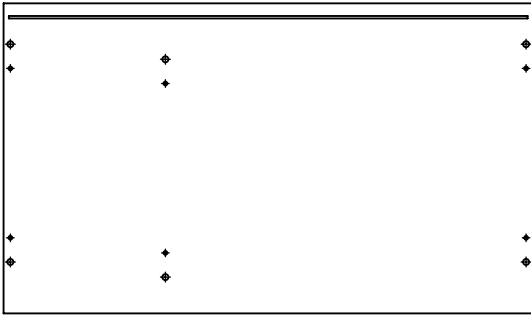


16. 1712x210x16 mm

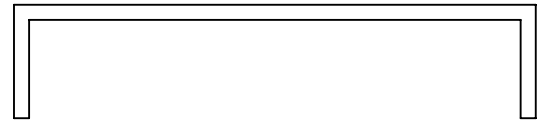


10. 666x150x16 mm

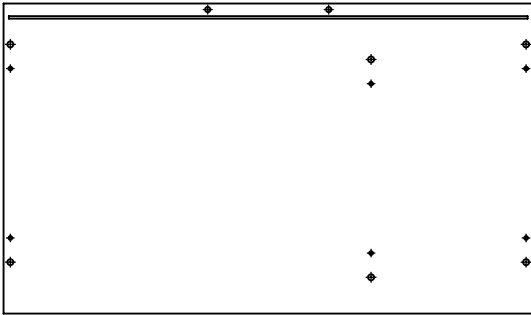
BOX 2/3



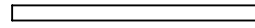
2. 700x410x16 mm



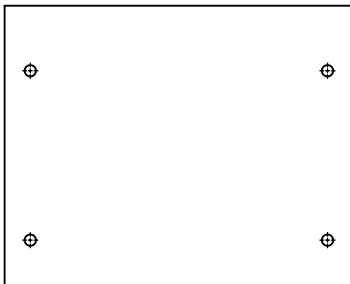
1a. 690x150x20 mm x2



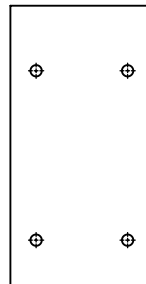
3. 700x410x16 mm



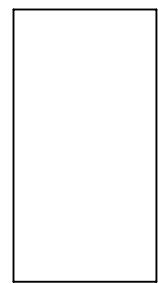
1b. 330x150x20 mm x2



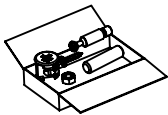
7. 461x370x16 mm

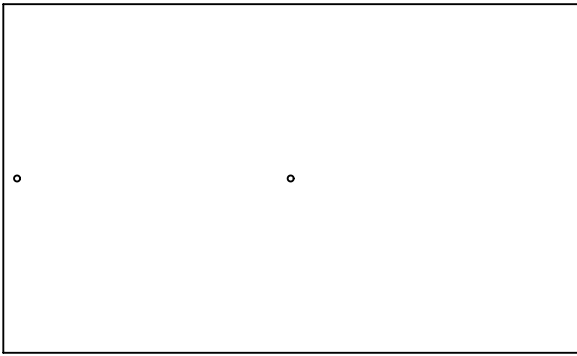


8. 189x370x16mm

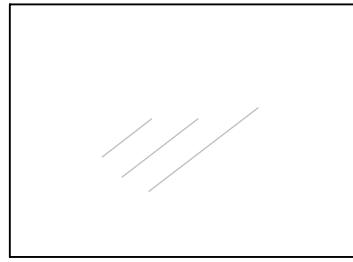


9. 189x360x16 mm

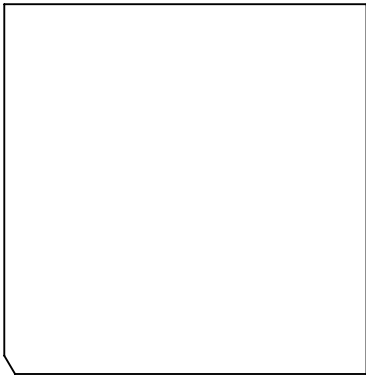




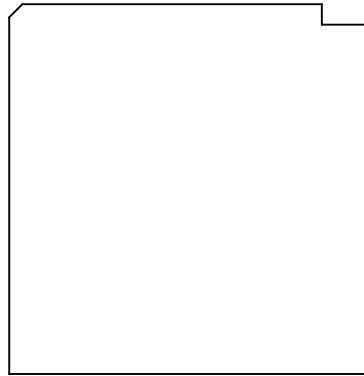
11. 759x461x16



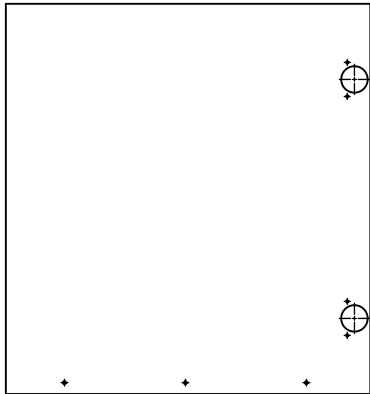
15. 460x334x4



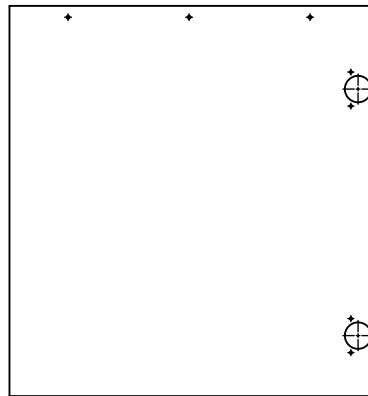
12. 485x476x3



13. 485x476x3



17. 516x482x16

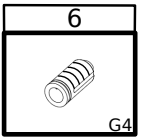
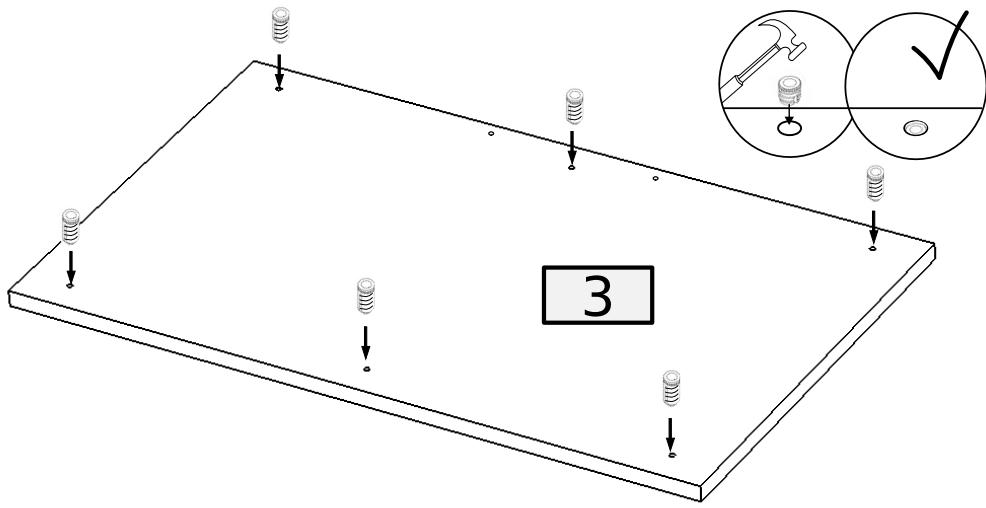


18. 516x482x16

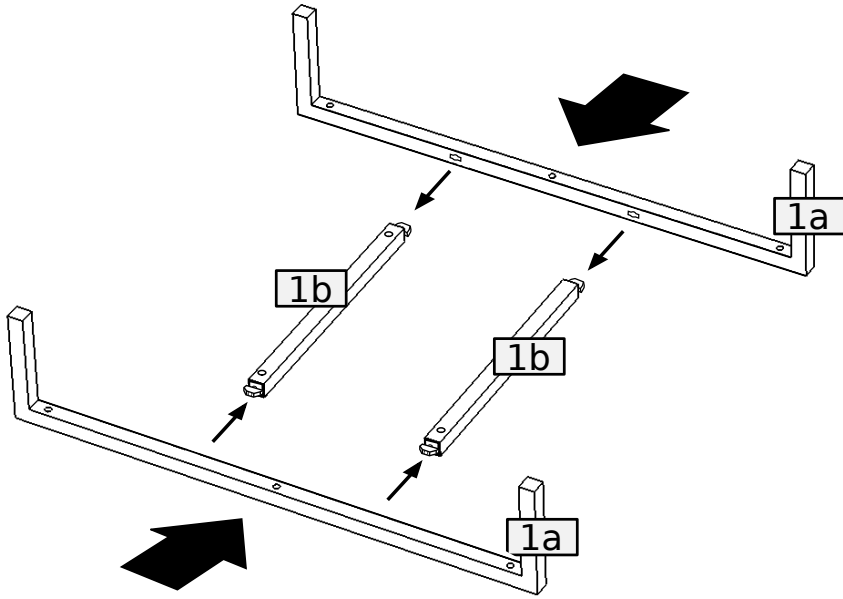


19. 740x456x4

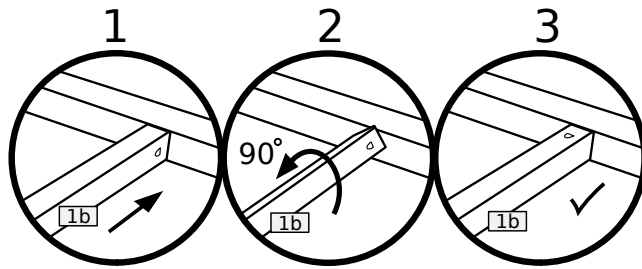
①



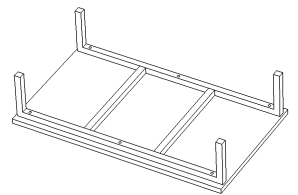
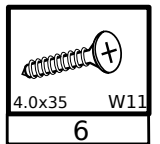
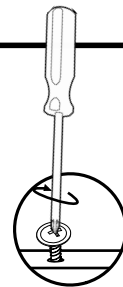
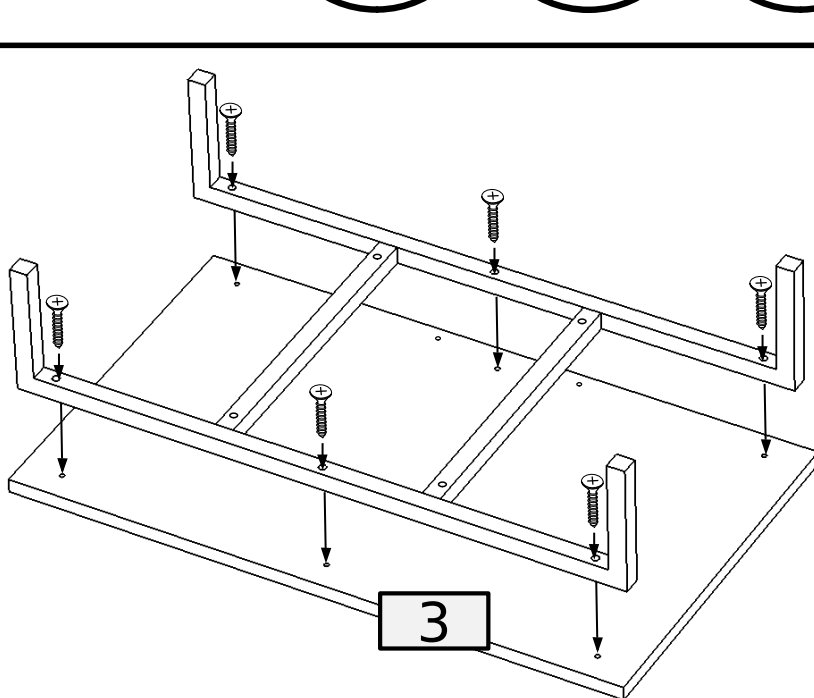
②



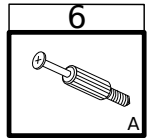
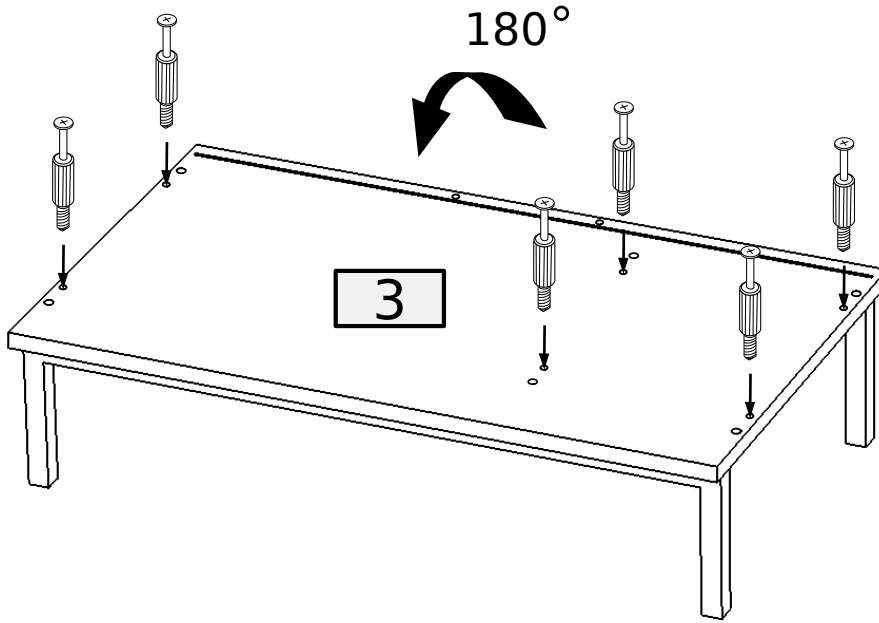
③



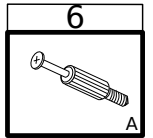
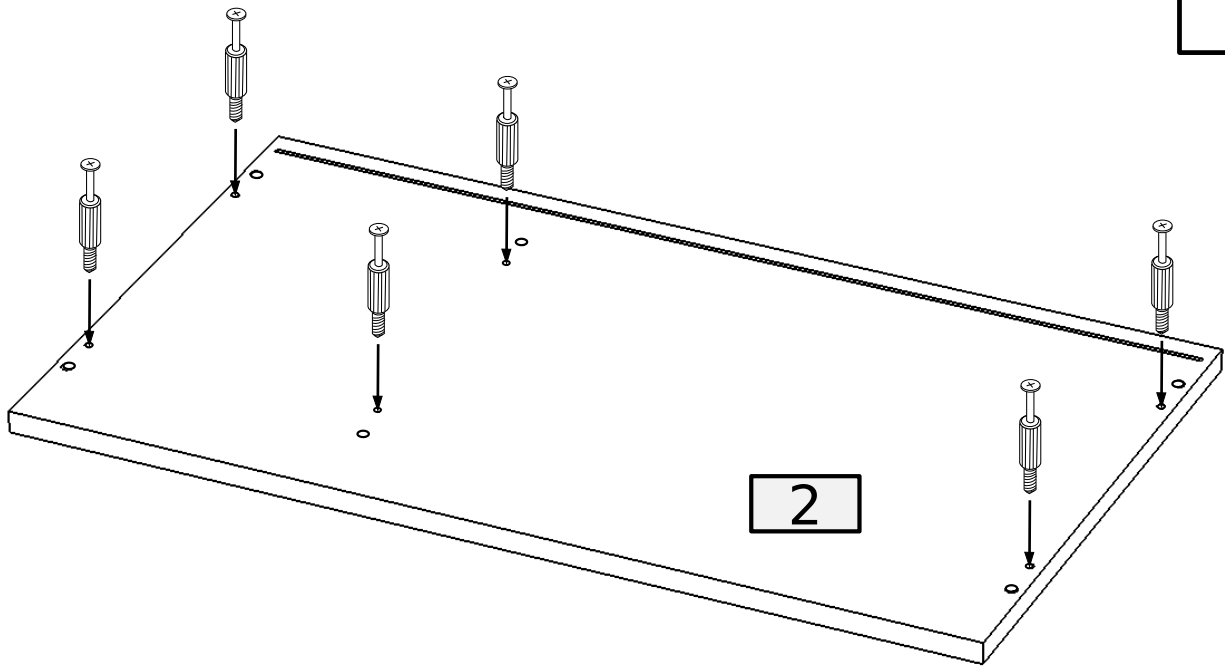
④



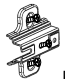

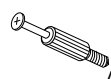


5

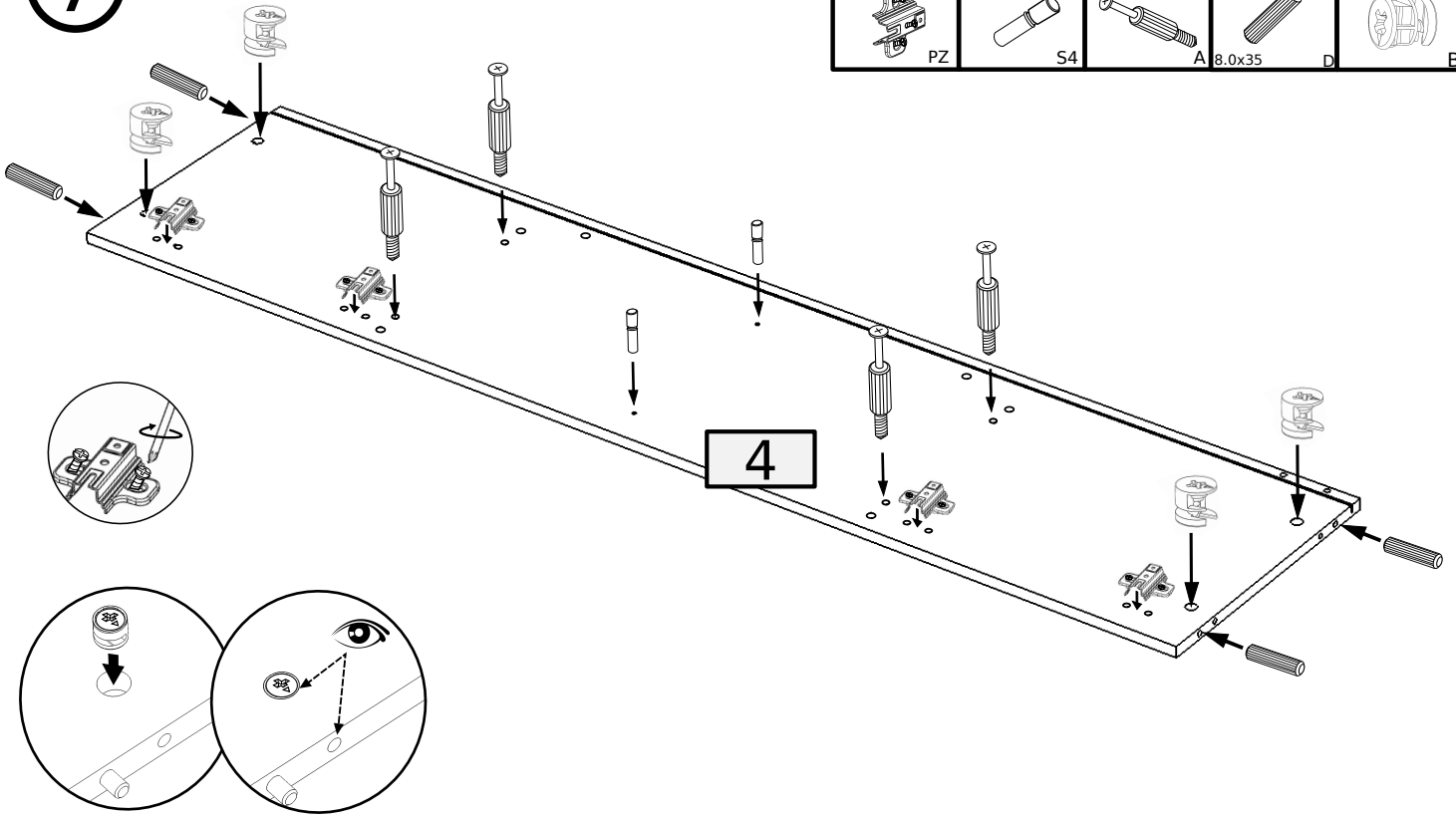


6



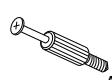




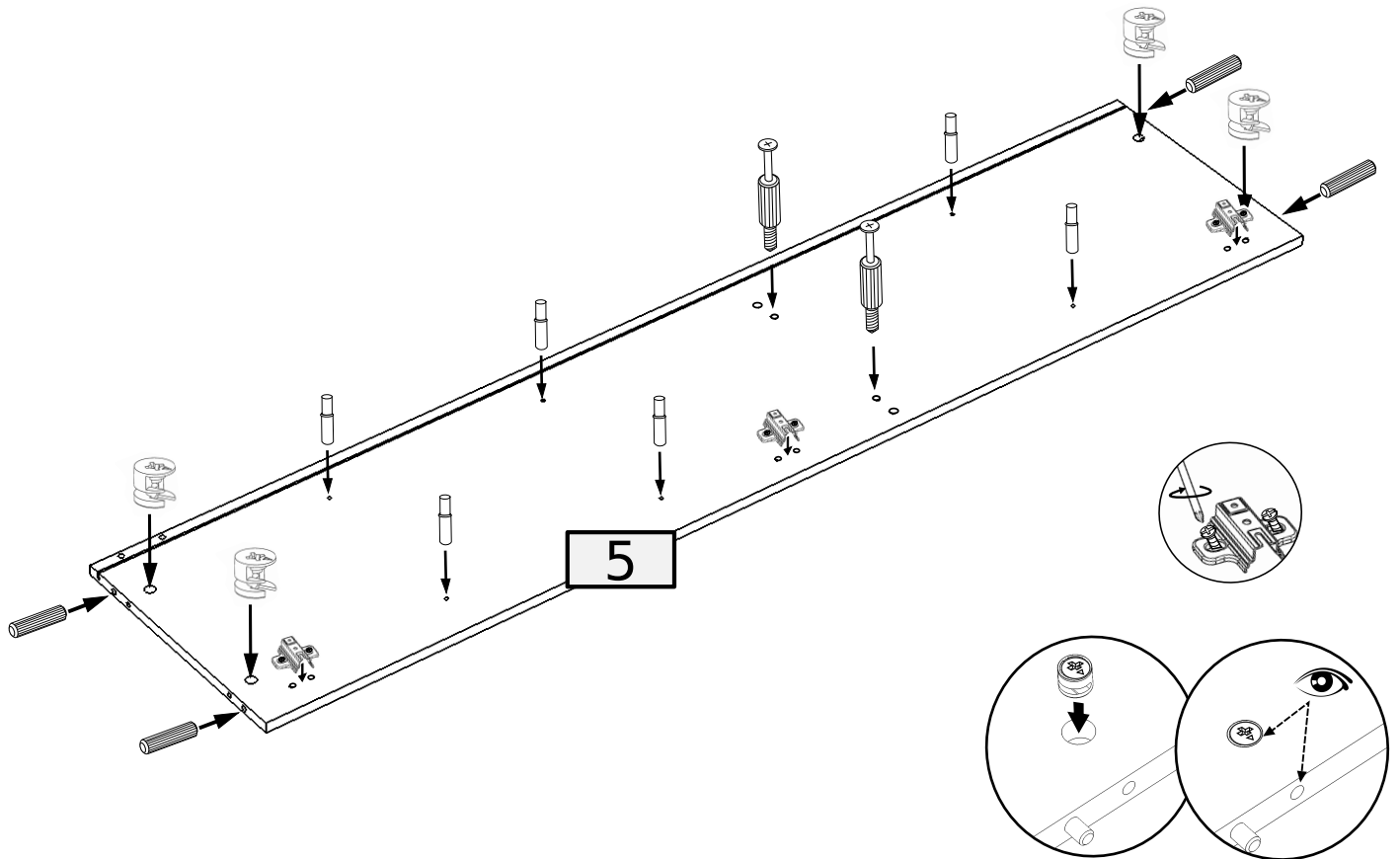
7

4	2	4	4	4
				
PZ	S4	A 8.0x35	D	B


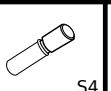
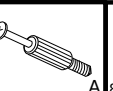




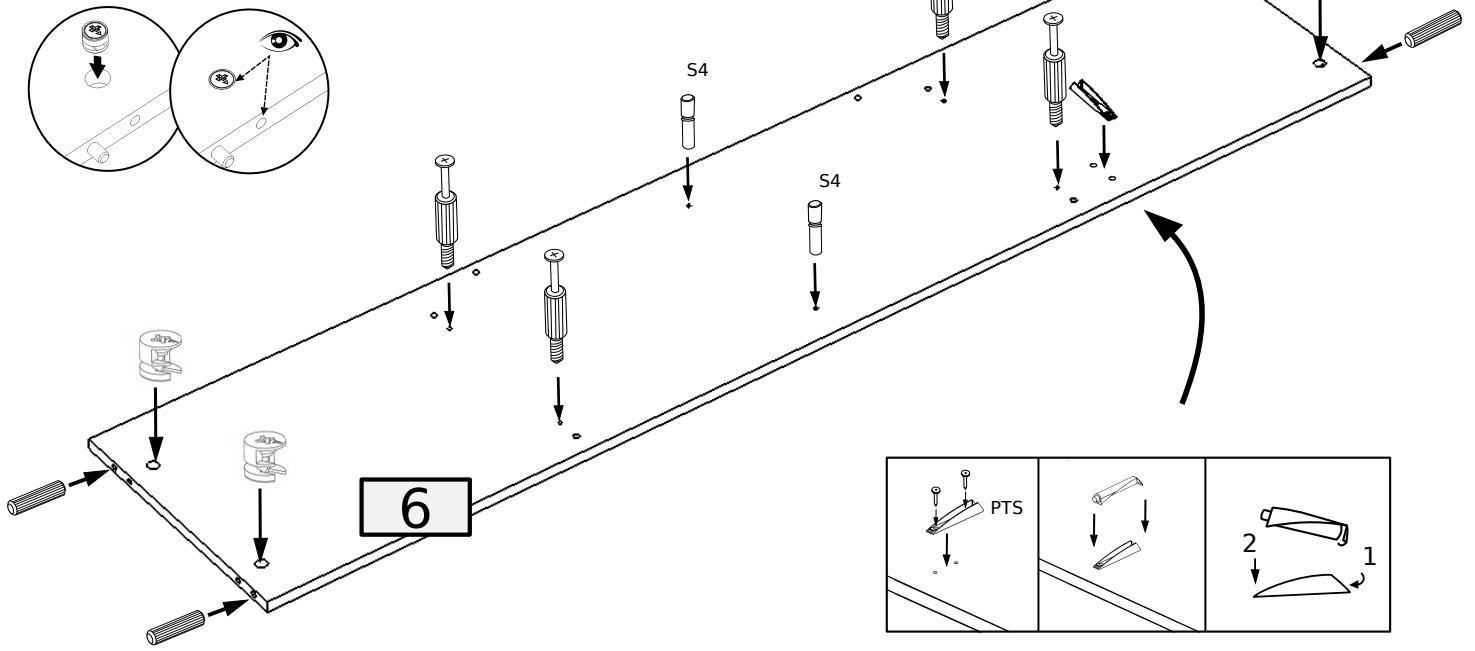
8

3	6	2	4	4
				
PZ	S3	A 8.0x35	D	B

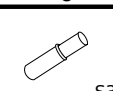
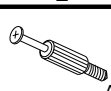


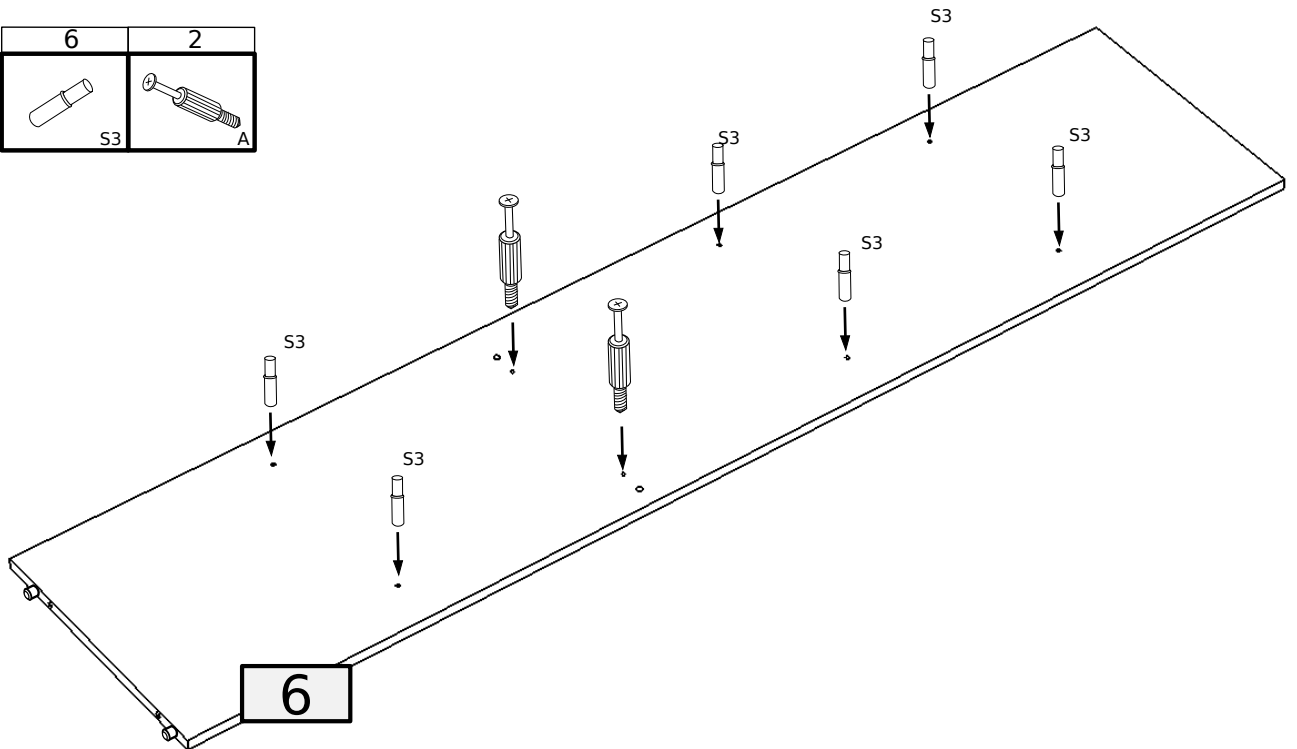
9

1	2	4	4	4
 PTS	 S4	 A	 8.0x35	 B





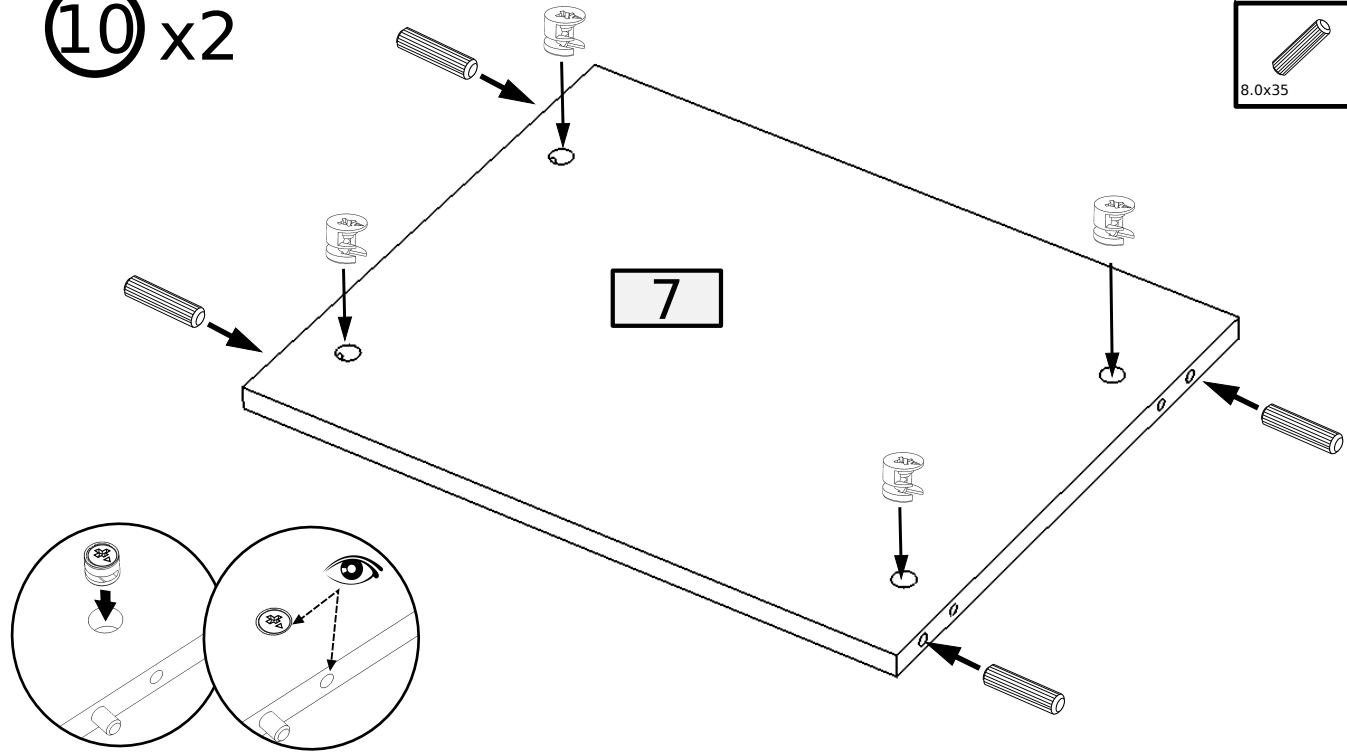
180°

6	2
 S3	 A

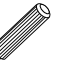



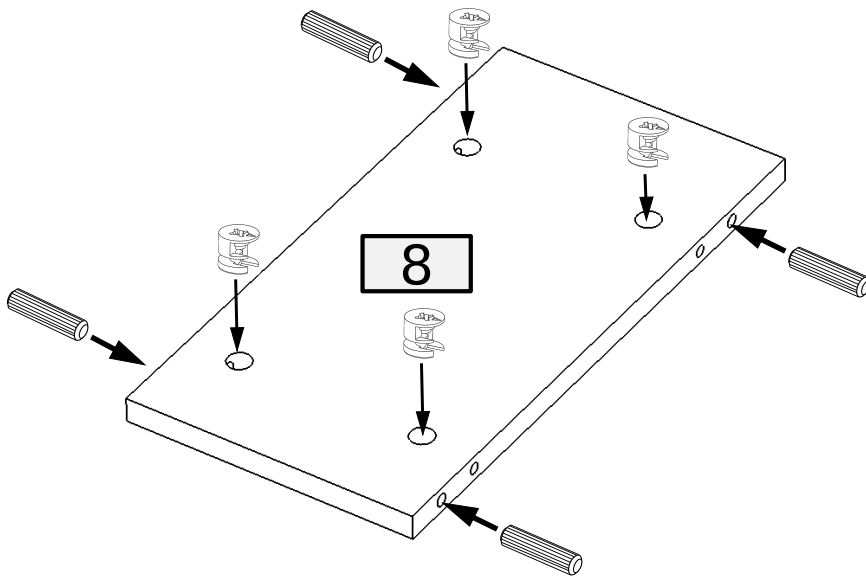
10 x2

4	4
	
8.0x35	D B




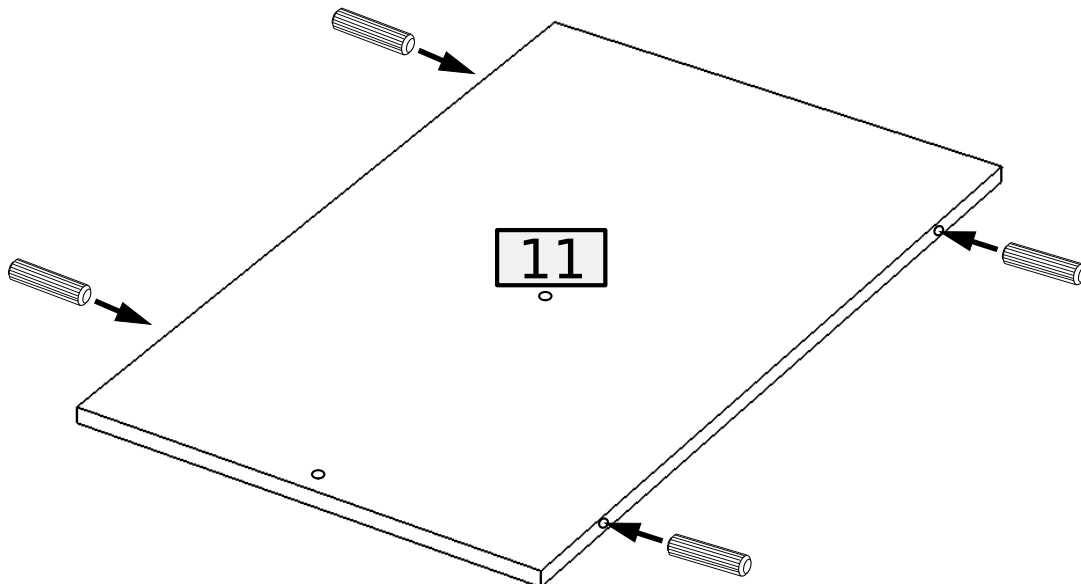
11

4	4
	
8.0x35	D B

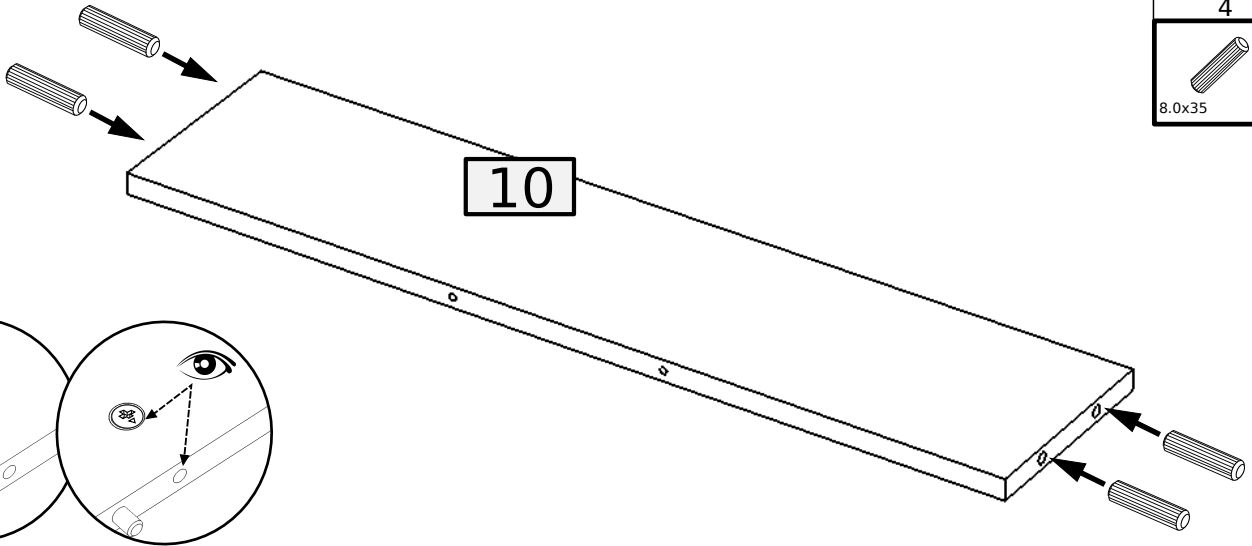



12

4

8.0x35
D

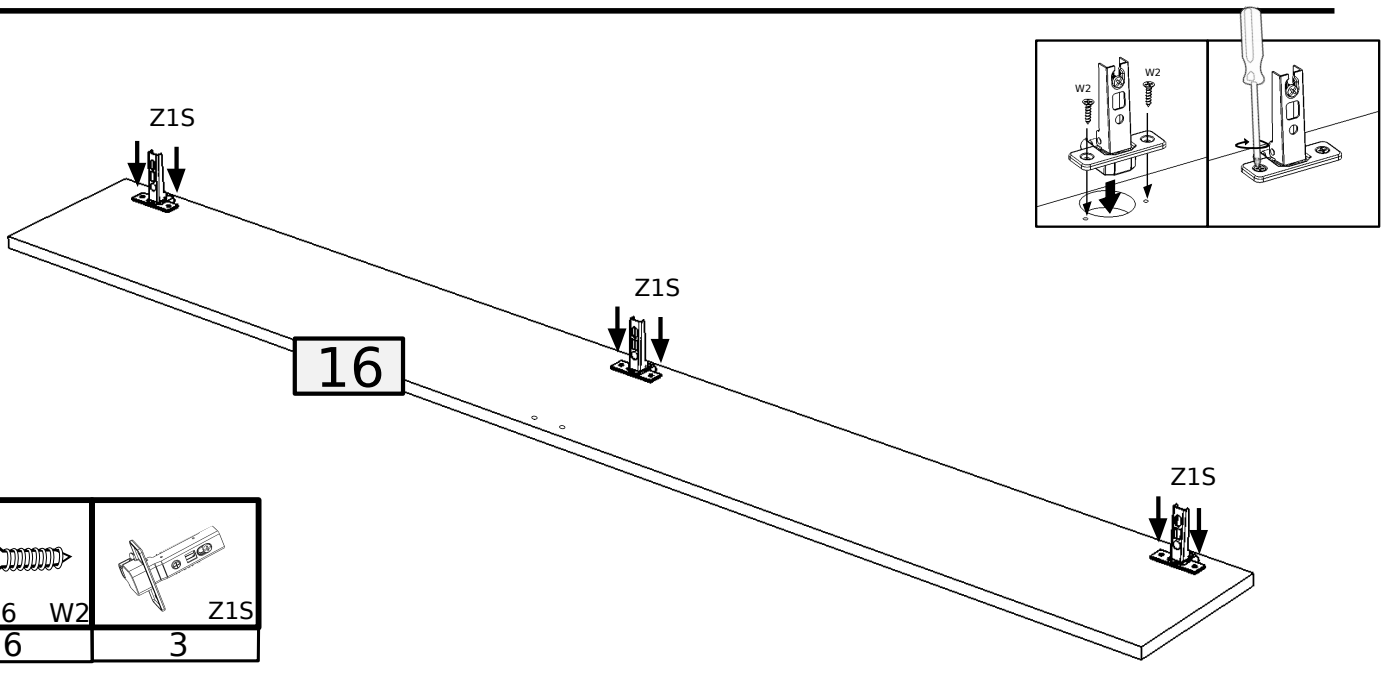



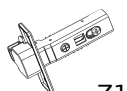
13



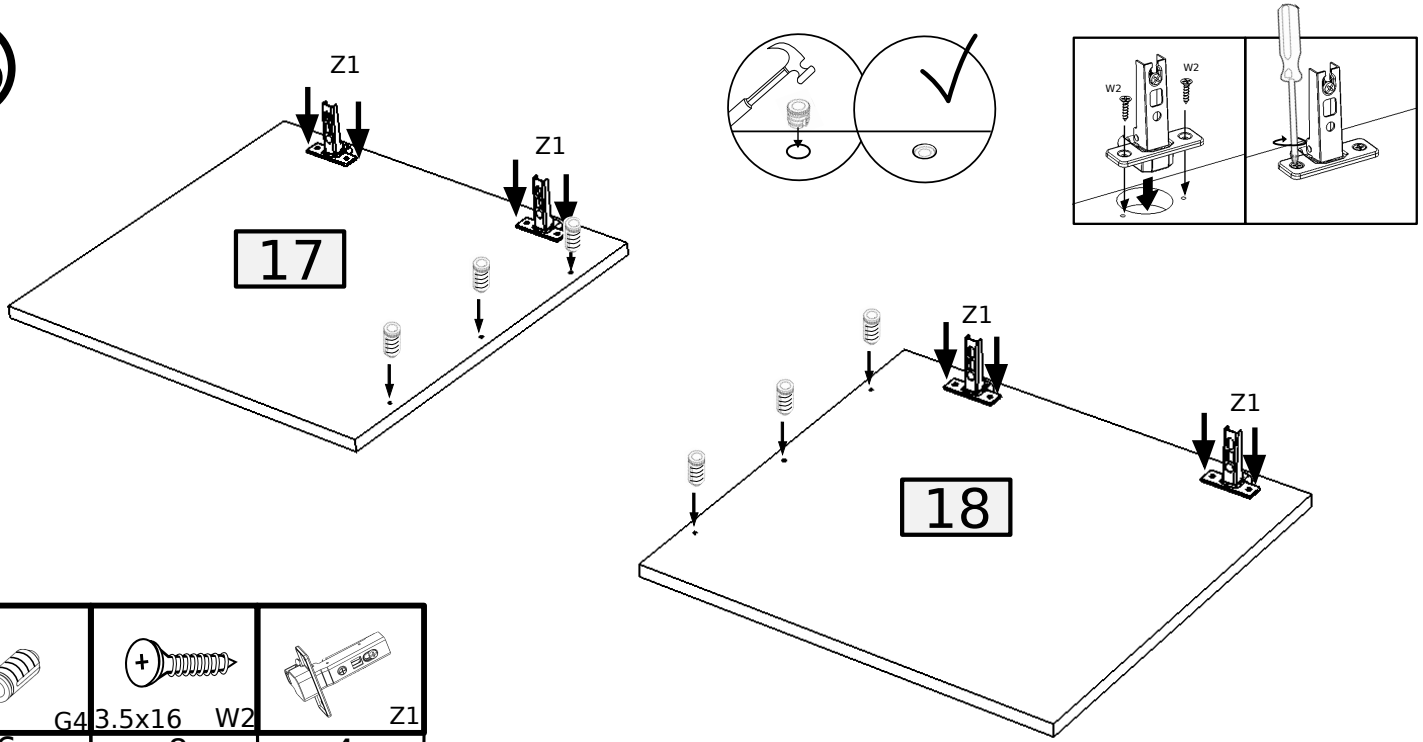
4

8.0x35
D



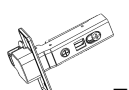
14



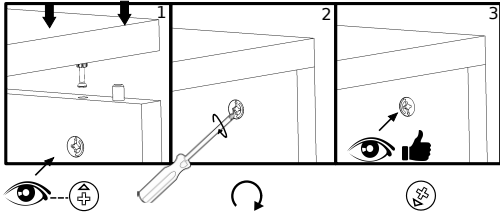
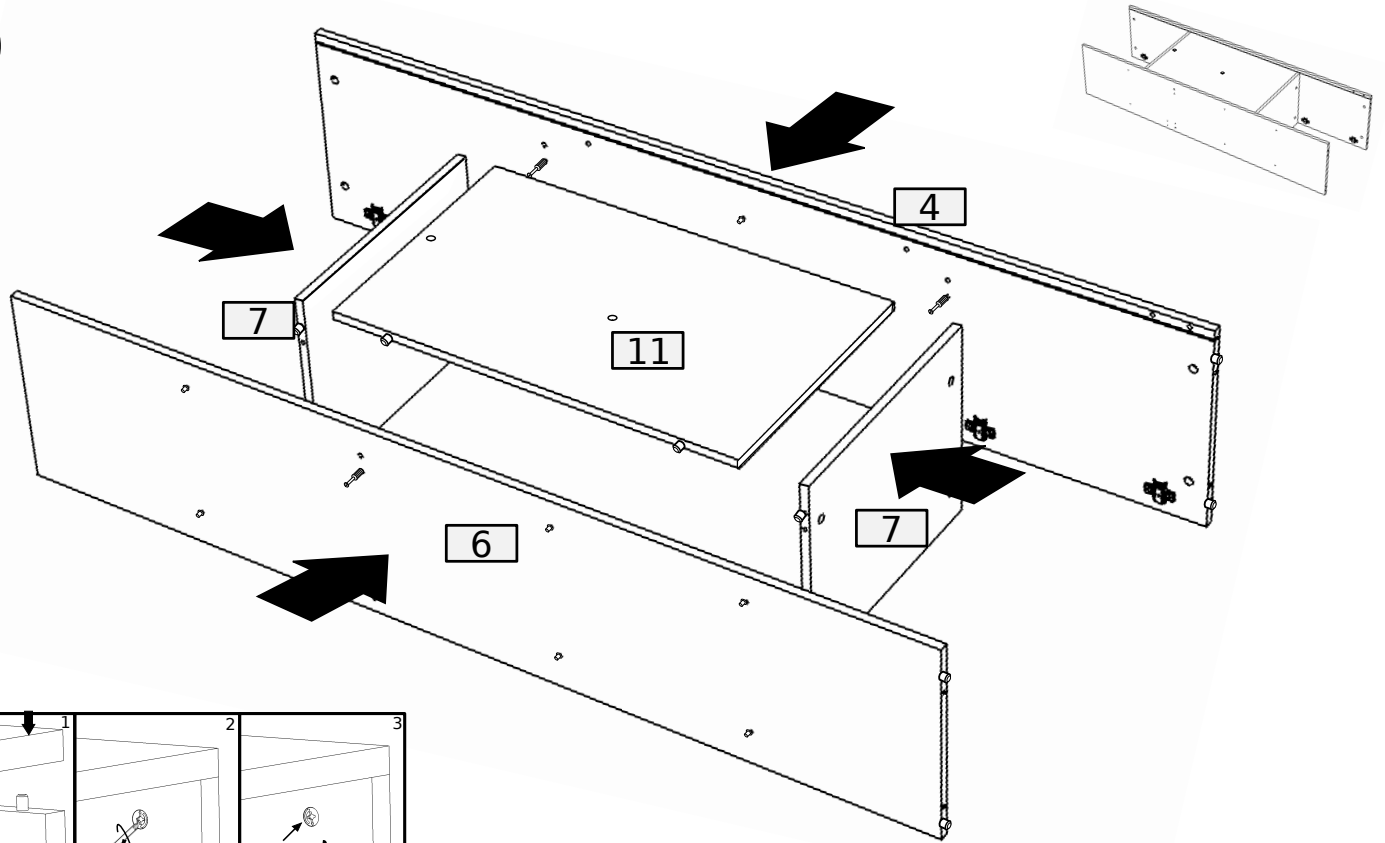
	
3.5x16 W2	Z1S
6	3

15

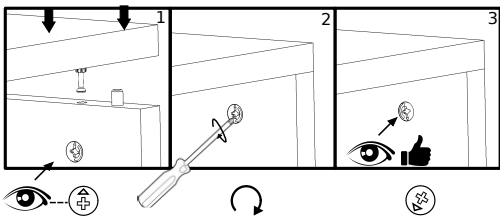
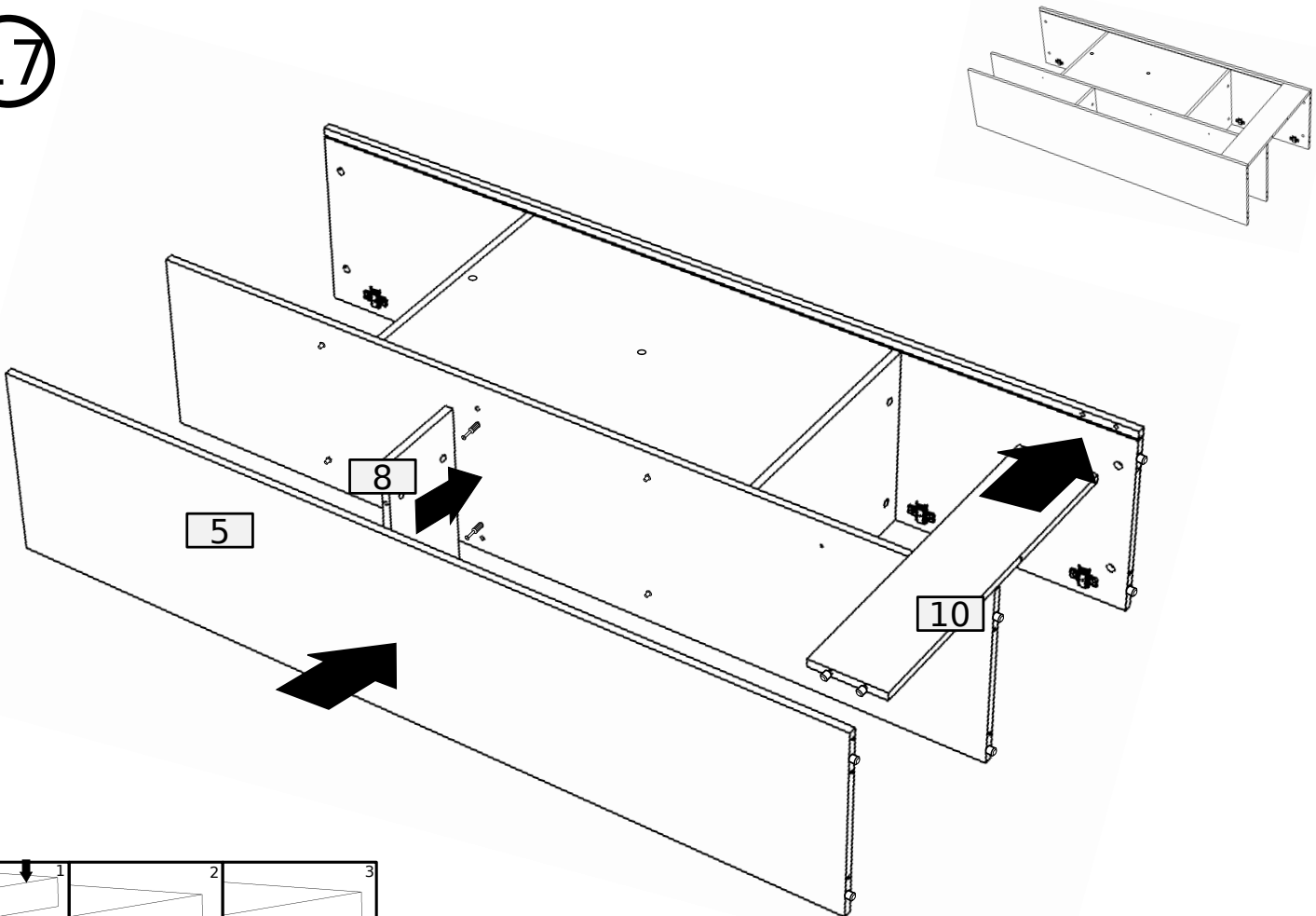


		
G4	3.5x16 W2	Z1
6	8	4

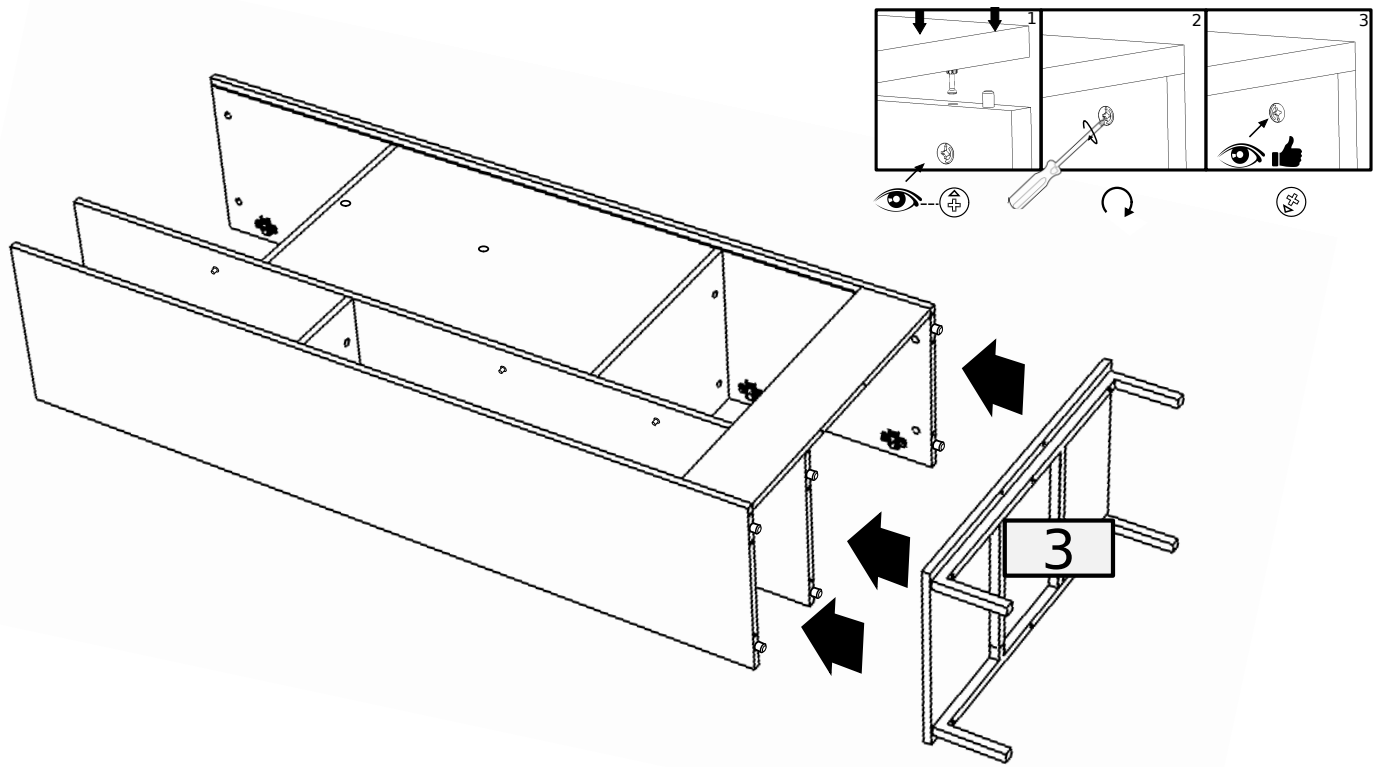
16



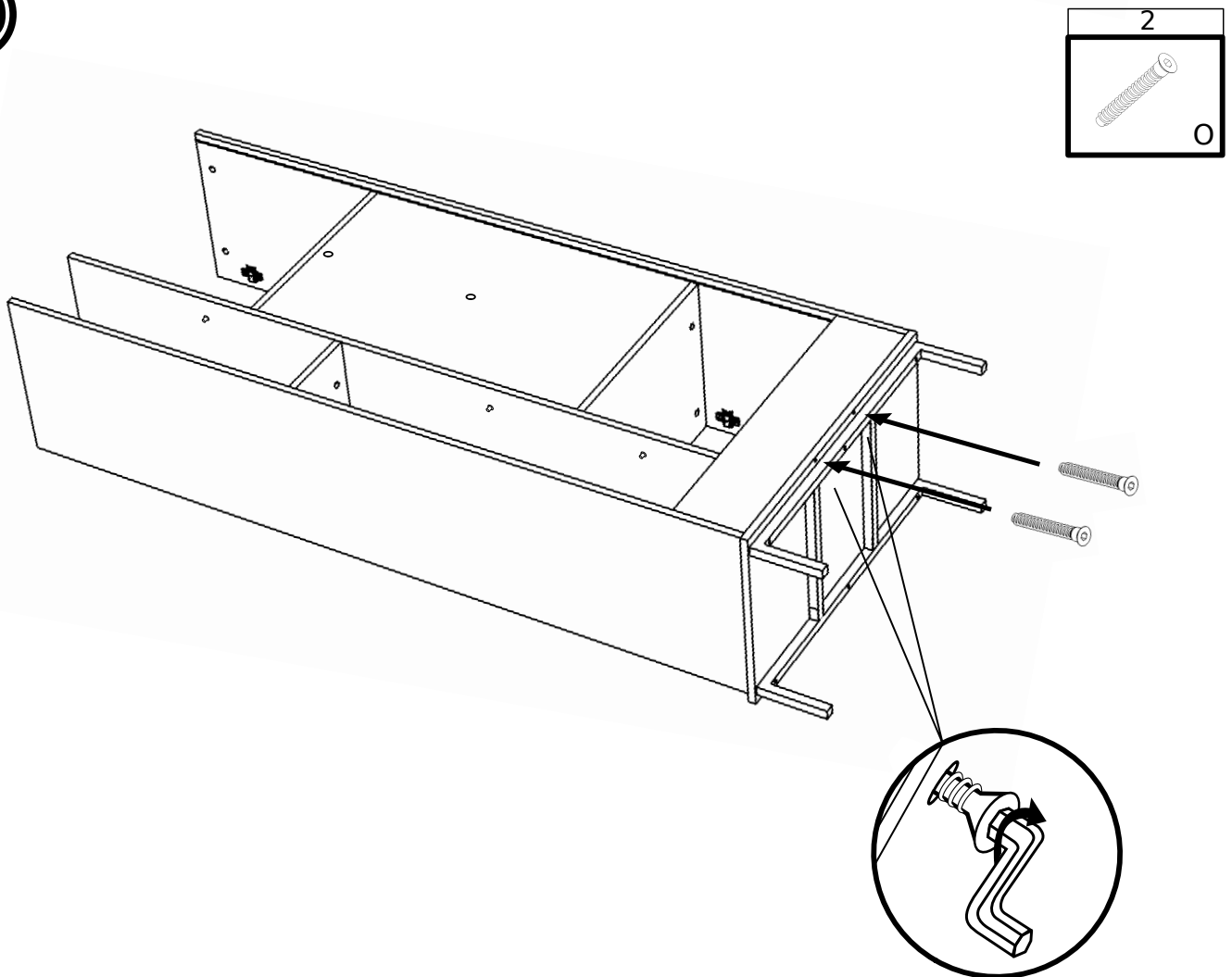
17



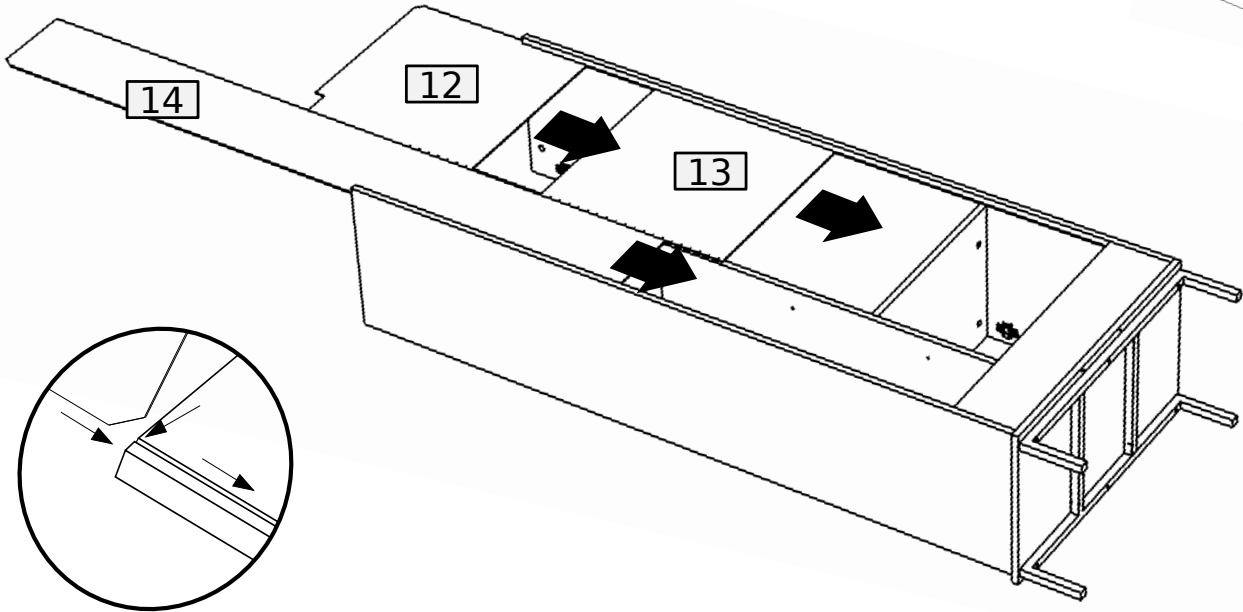
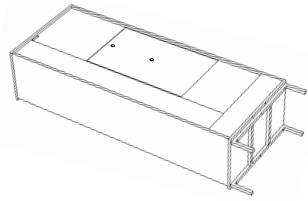
18



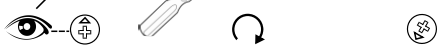
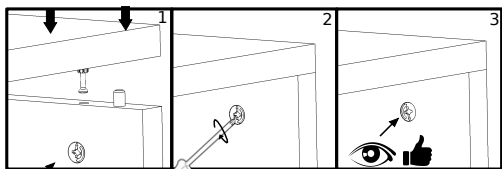
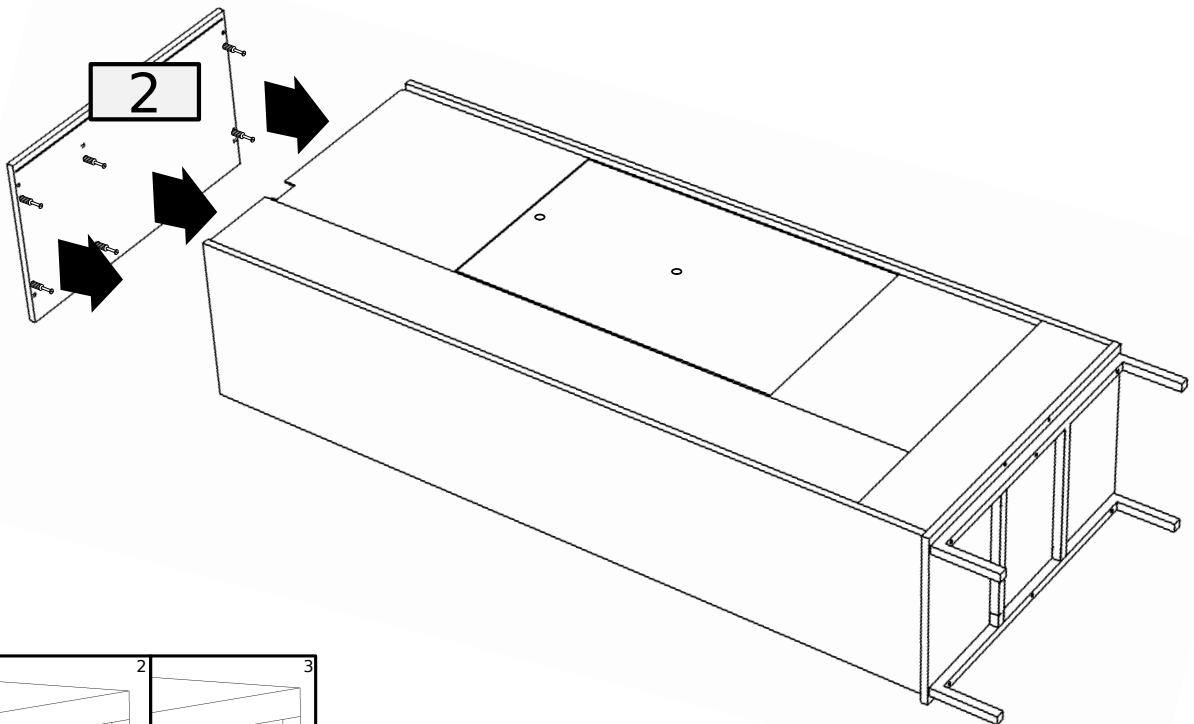
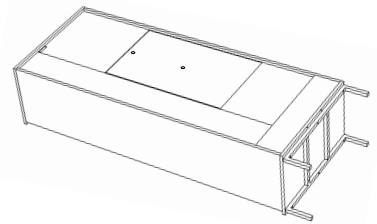
19



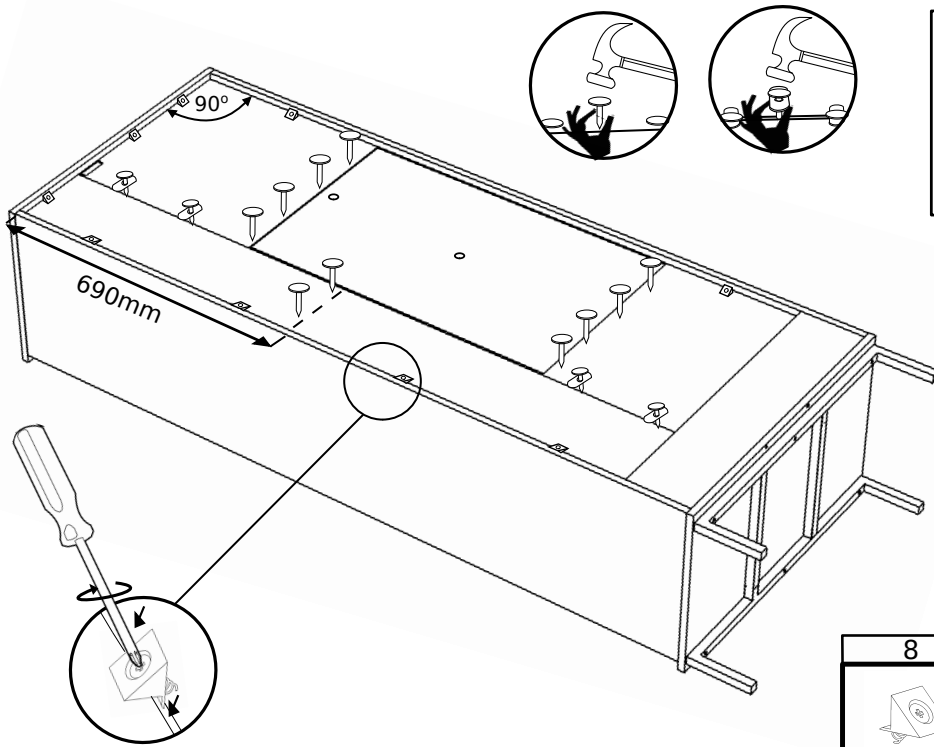
20


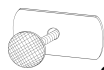



21

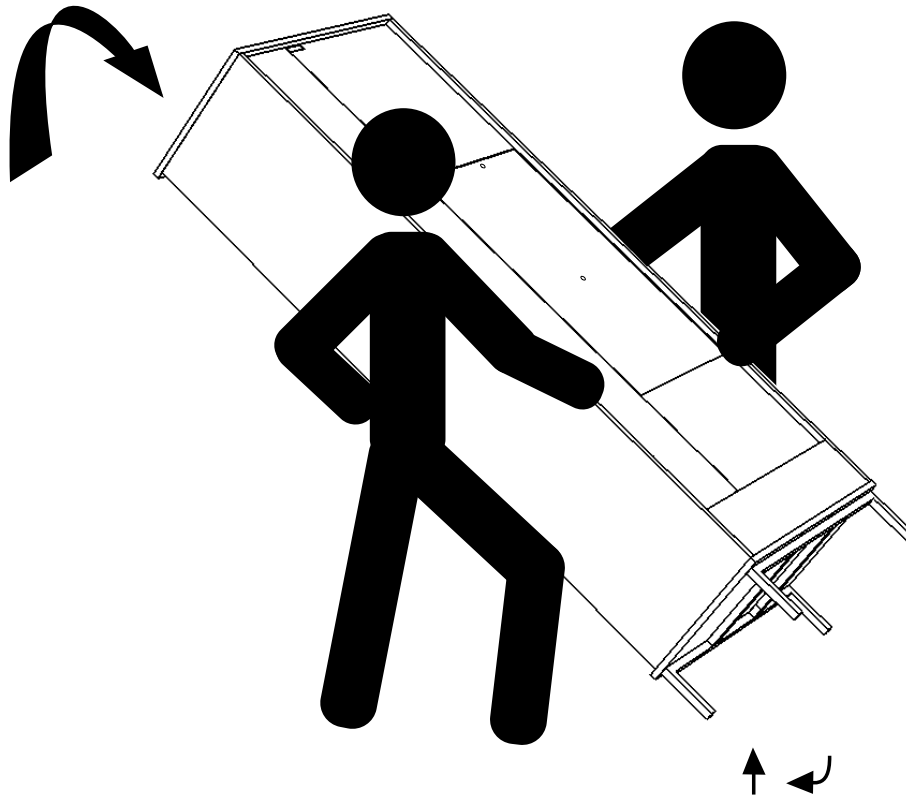


22

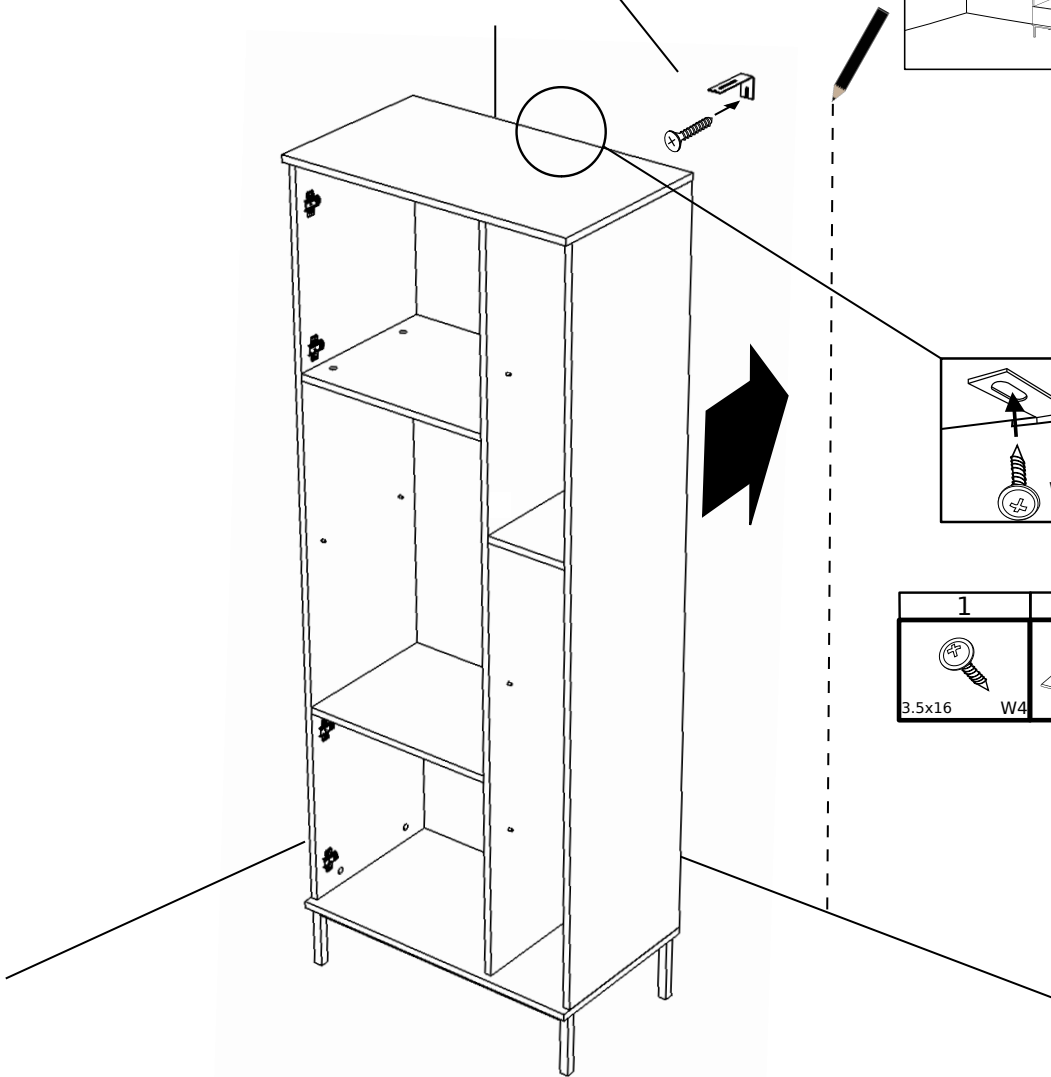
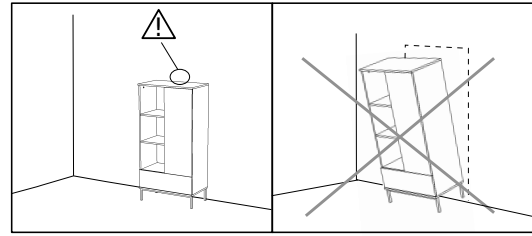
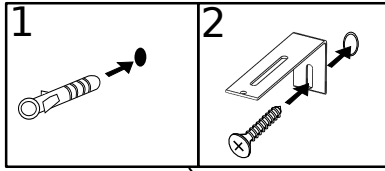



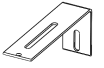
8	4	10
		
I	G2	G

23

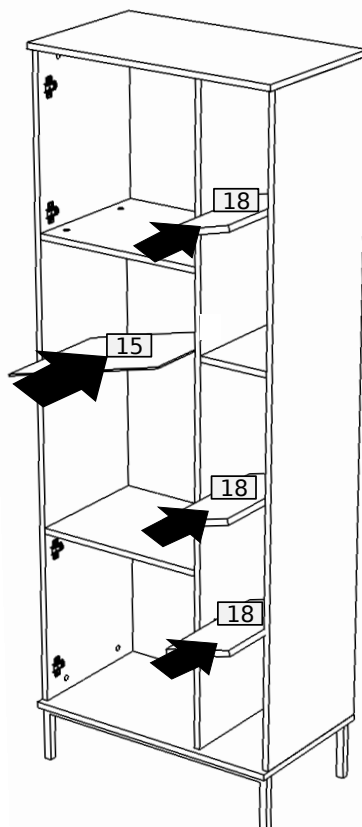


24





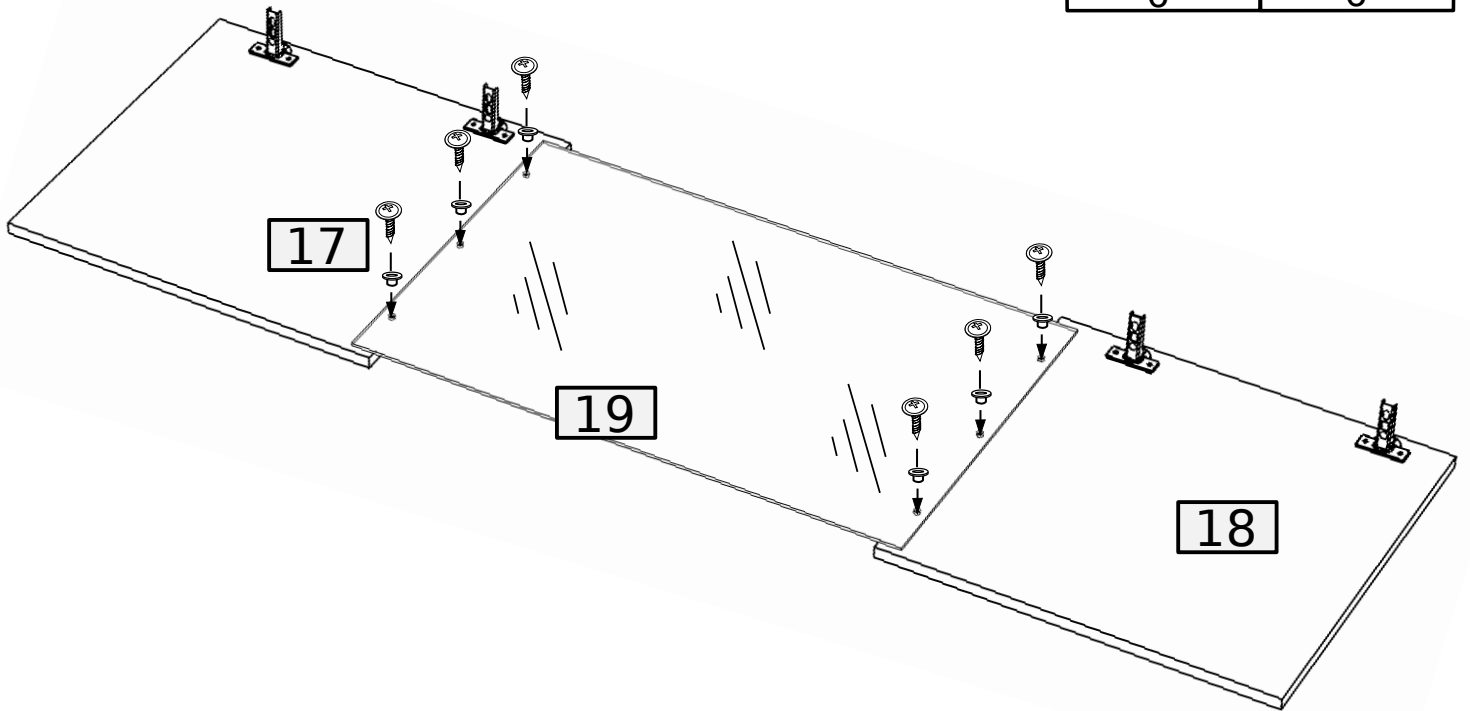
1	1
	
3.5x16 W4	KS

25

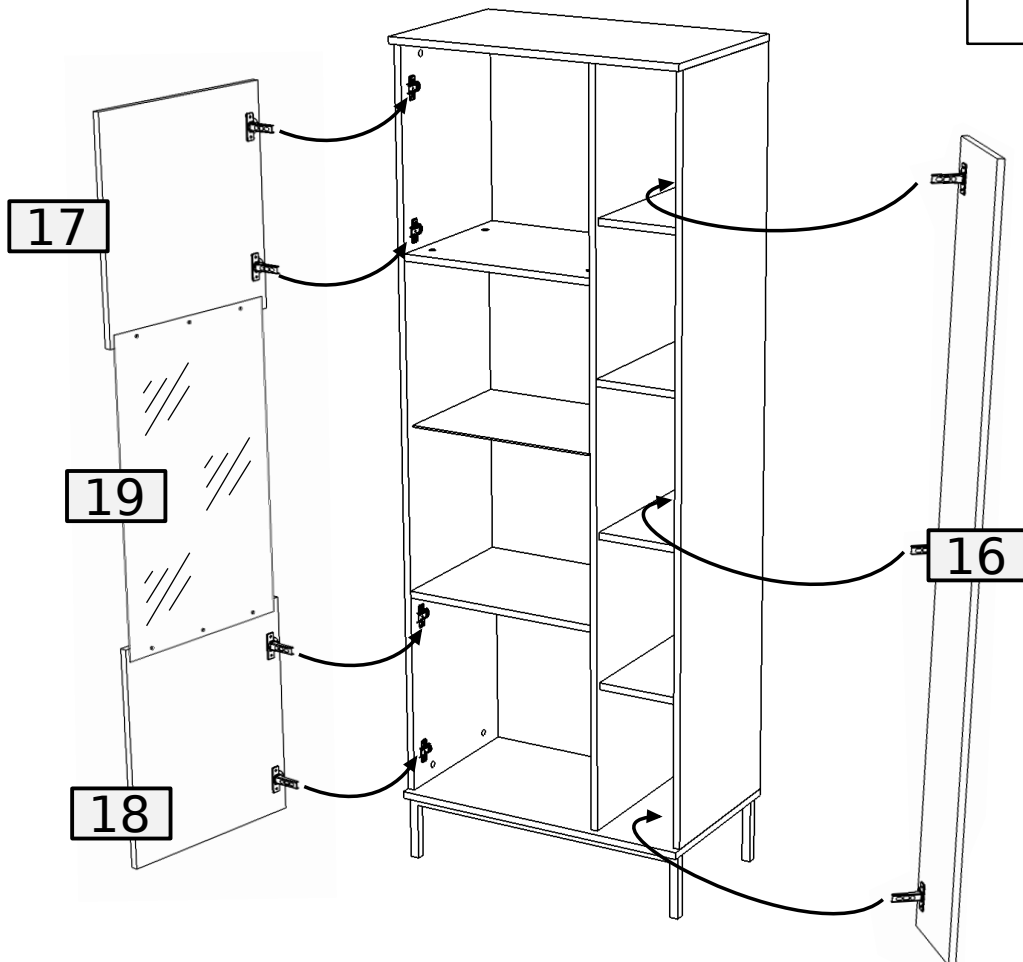
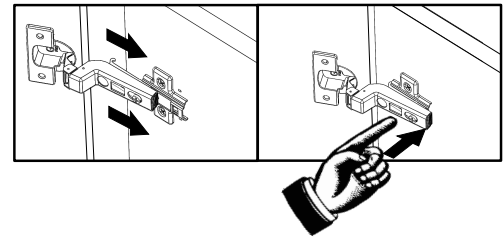


26

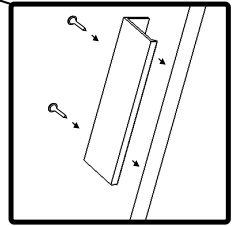
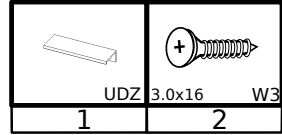
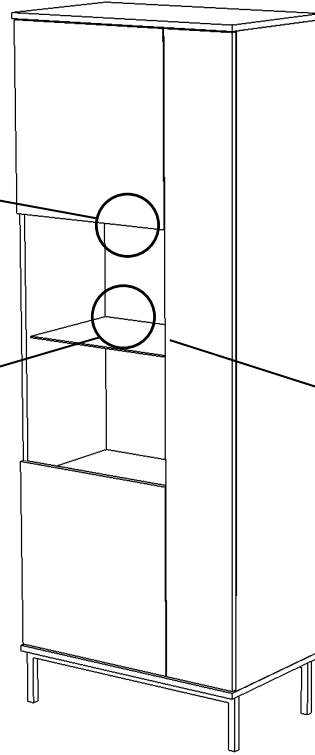
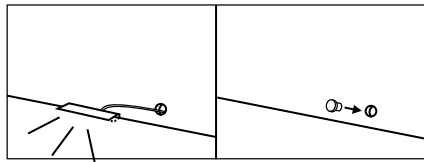
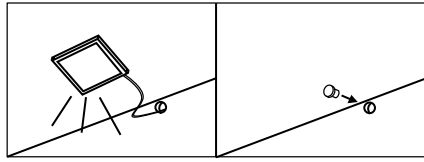
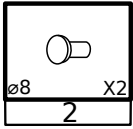
	
3.5x16	W4T
6	6



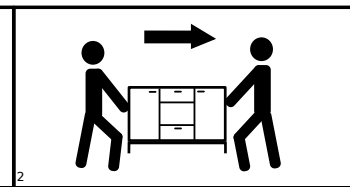
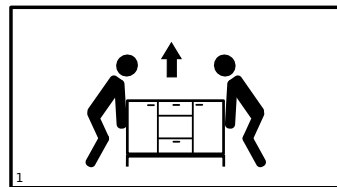
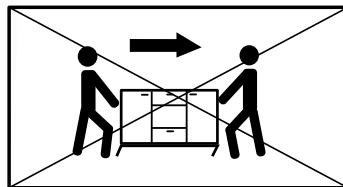
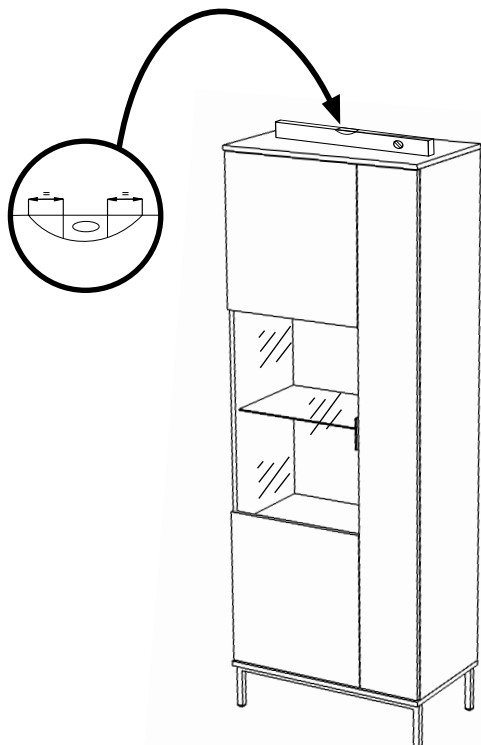
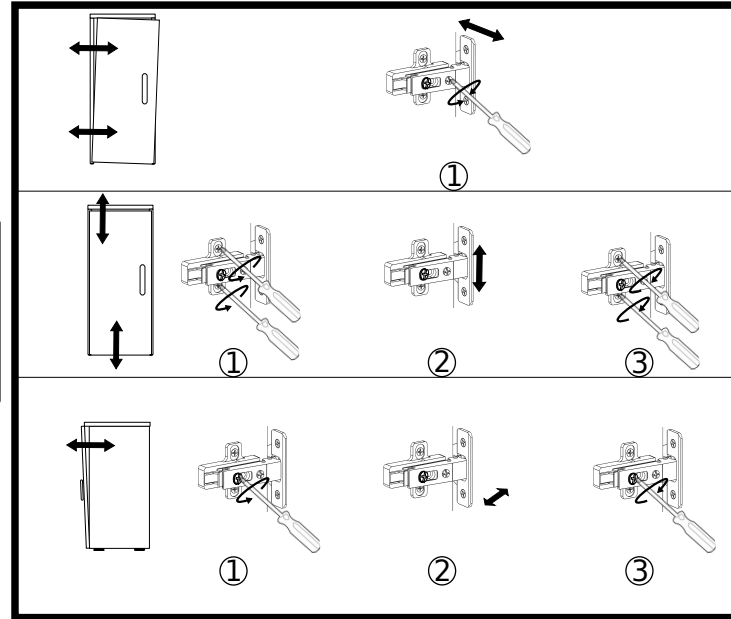
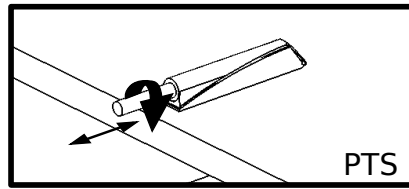
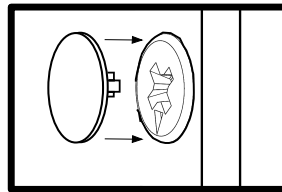
27



28



29



×

✓

