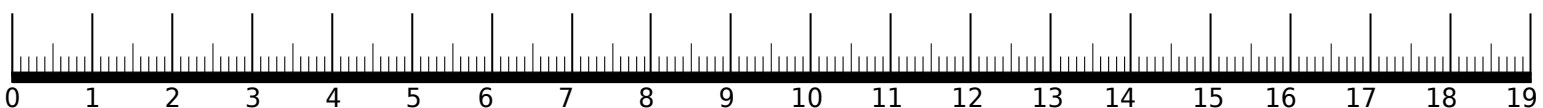
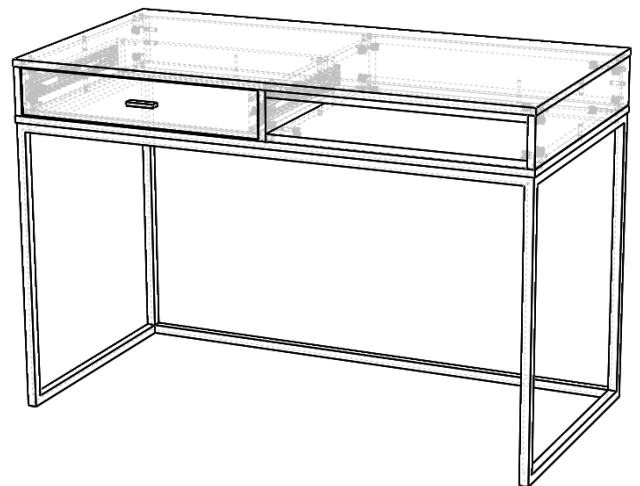
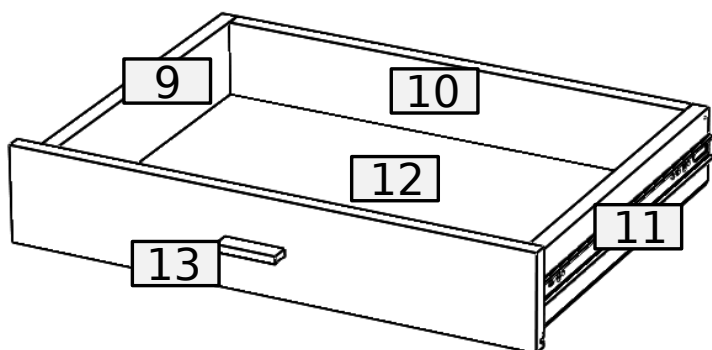
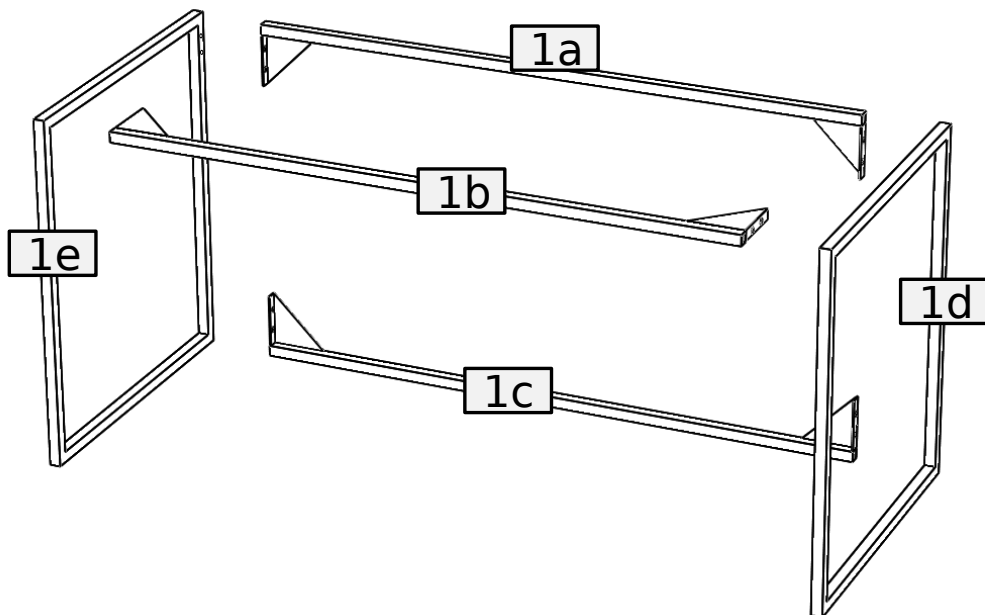
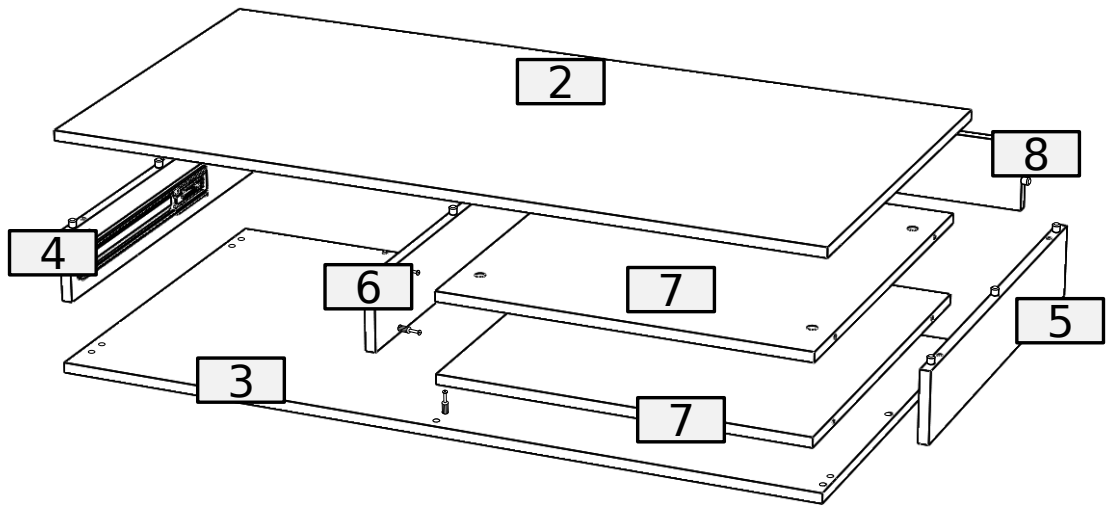


18	18	26	8
B	A	8.0x35 D	O
6	1	4	1

8	
3.5x16 W2	UO
2	1

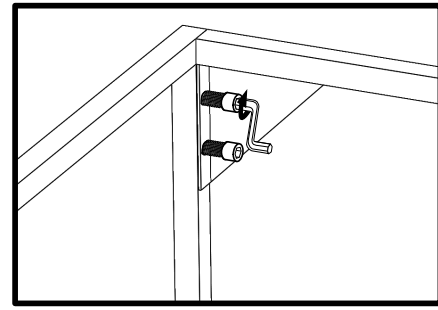
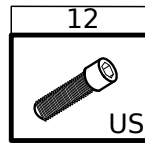
6	1
4.0x35 W11	U1
	US
	12



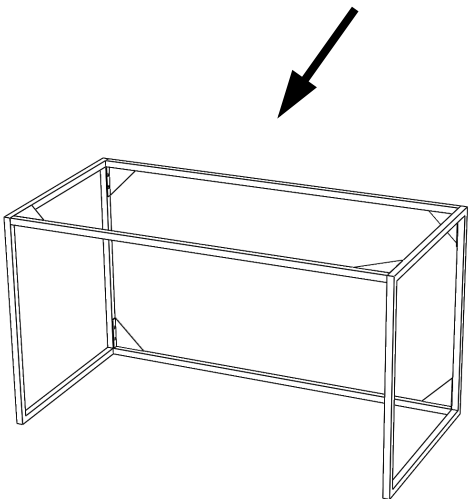
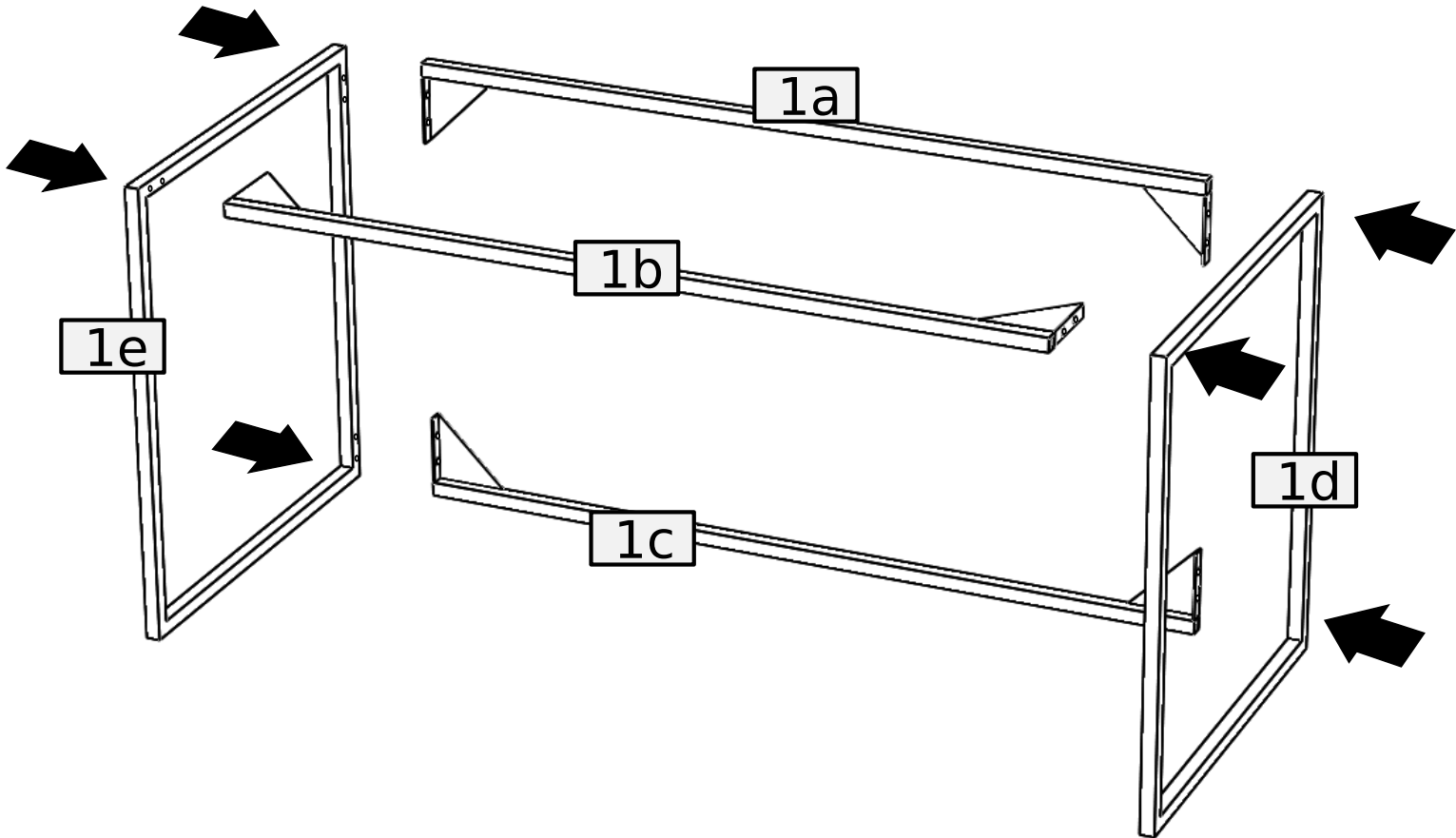


No.	Pcs.	L	W	D	Pac
1a	1	1155	20	20	1/2
1b	1	1155	20	20	1/2
1c	1	1155	20	20	1/2
1d	1	660	595	16	1/2
1e	1	660	595	16	1/2
2	1	1200	600	16	1/2
3	1	1200	600	16	1/2
4	1	598	110	16	2/2
5	1	598	110	16	2/2
6	1	581	110	16	2/2
7	2	579	575	16	2/2
8	1	1166	110	16	1/2
9	1	500	100	16	2/2
10	1	517	82	16	2/2
11	1	500	100	16	2/2
12	1	507	532	3	2/2
13	1	571	104	16	2/2

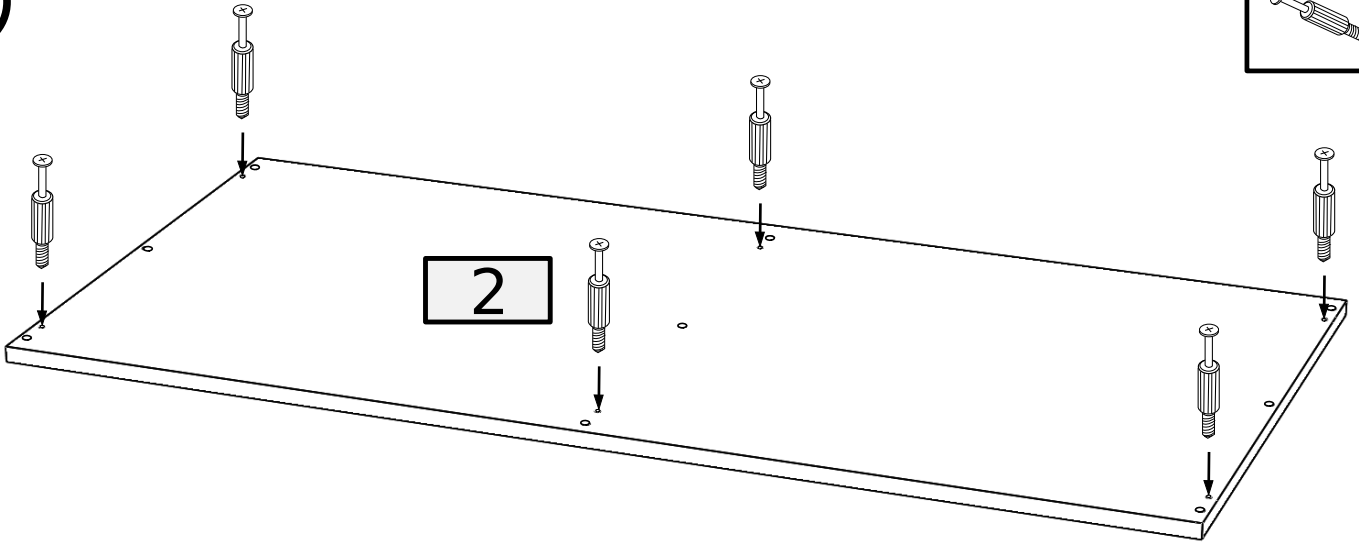
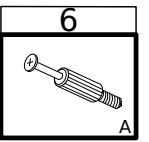
1



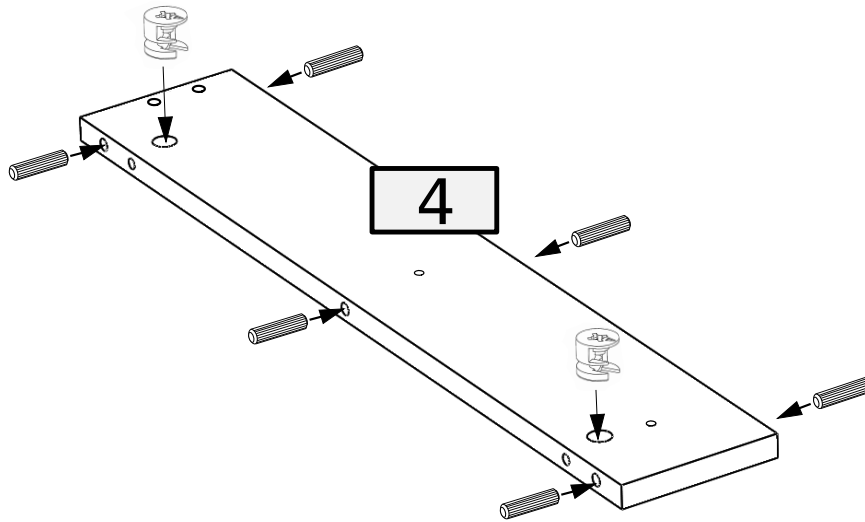
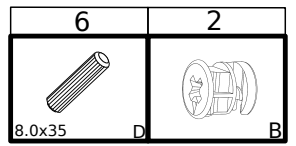
x6



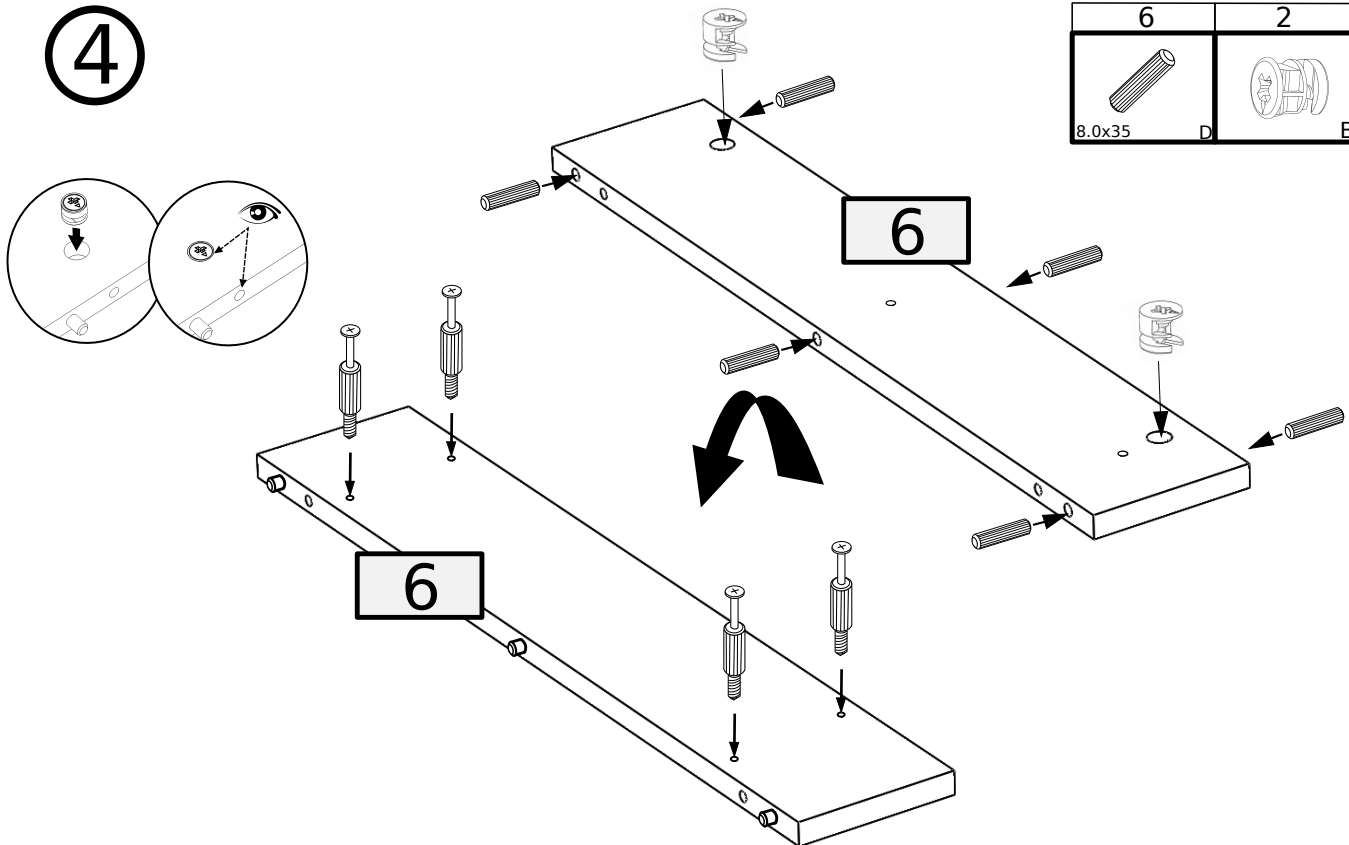
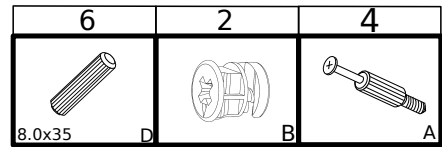
2



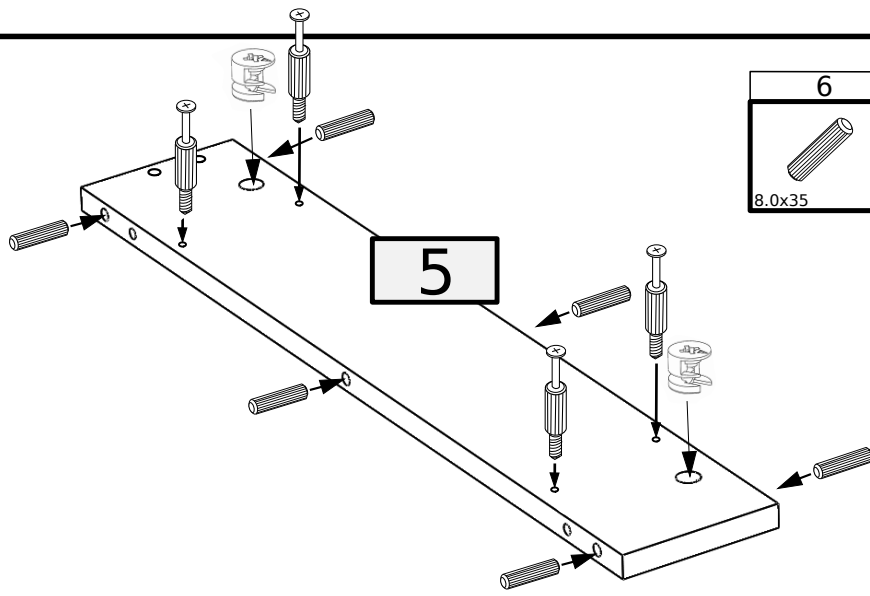
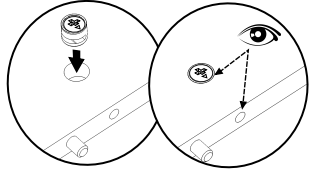
3



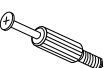


4

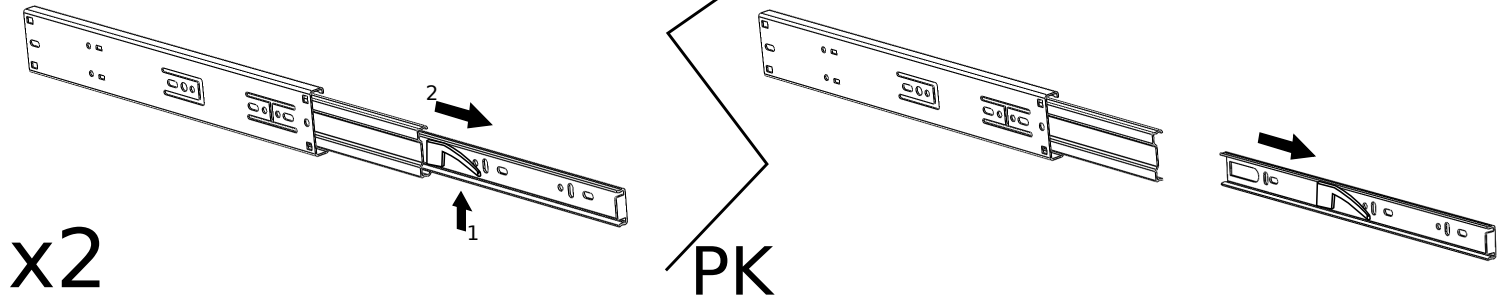


5



6	2	4
		
8.0x35 D	B	A

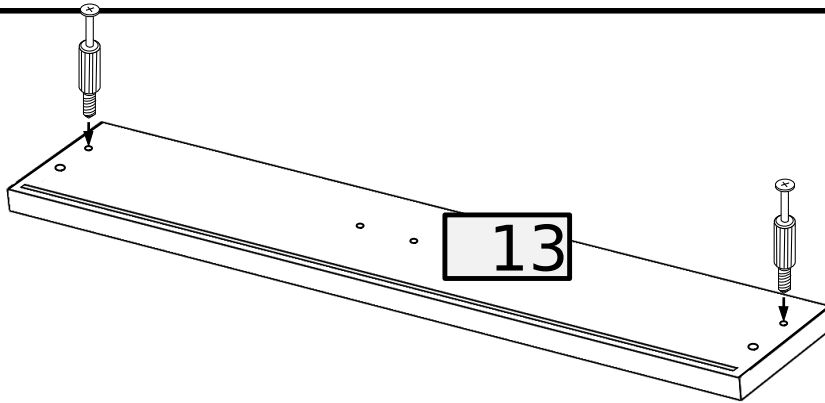
6

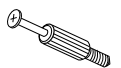


x2

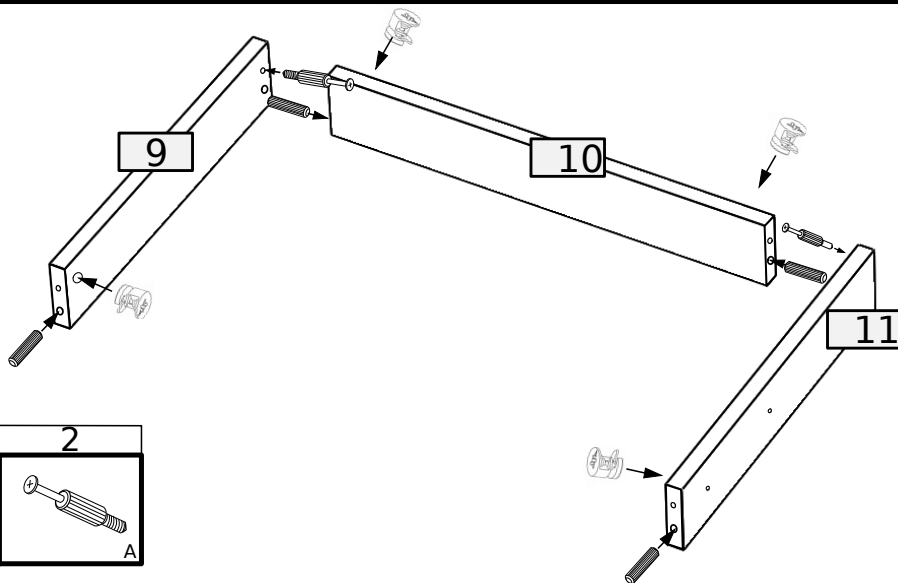
PK

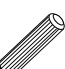

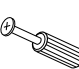
7



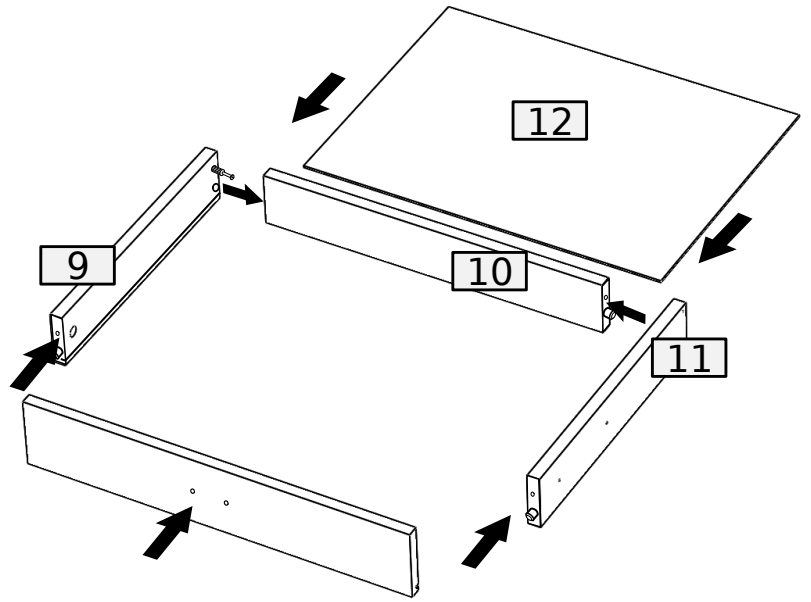
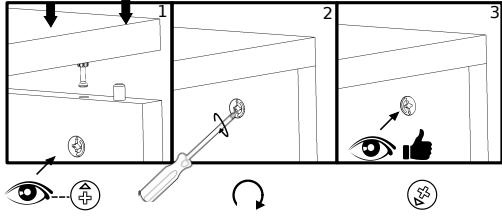
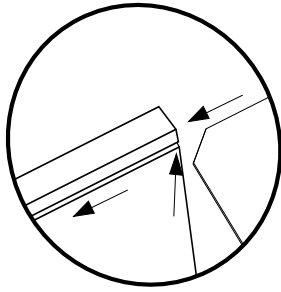
2

A

8

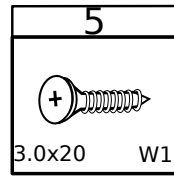
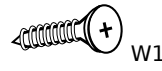
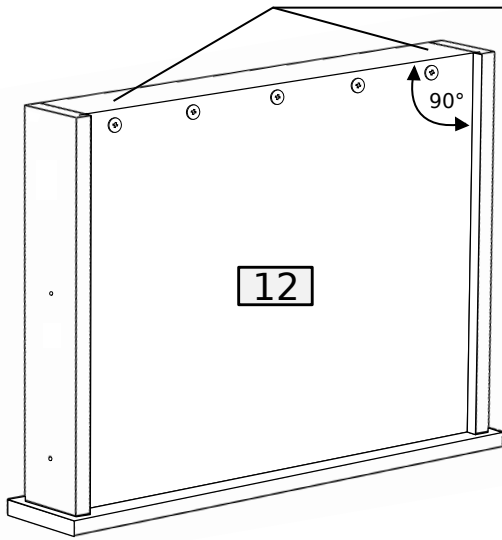


4	4	2
		
8.0x35 D	B	A

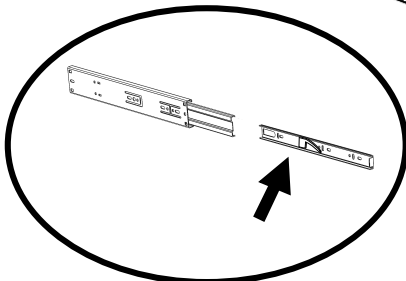
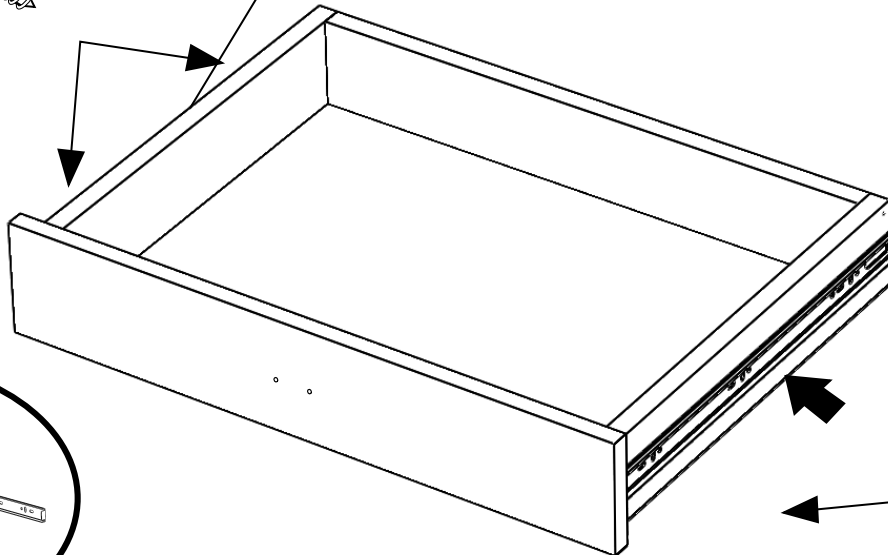
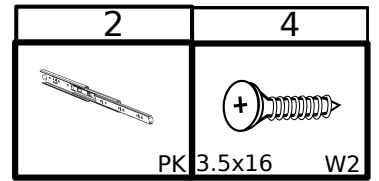
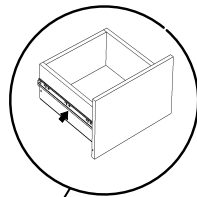
9



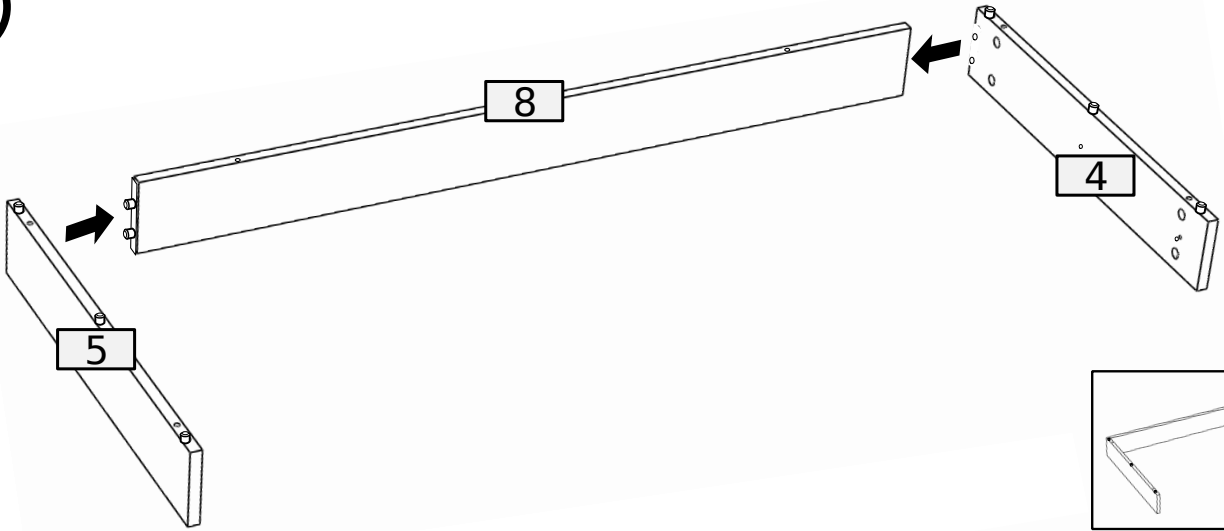
10



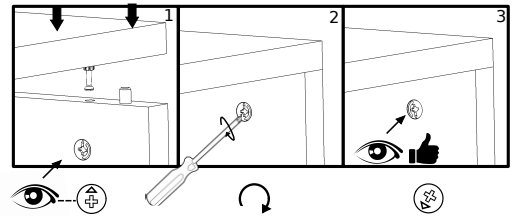
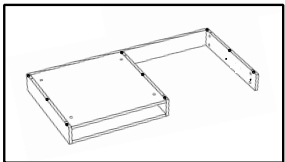
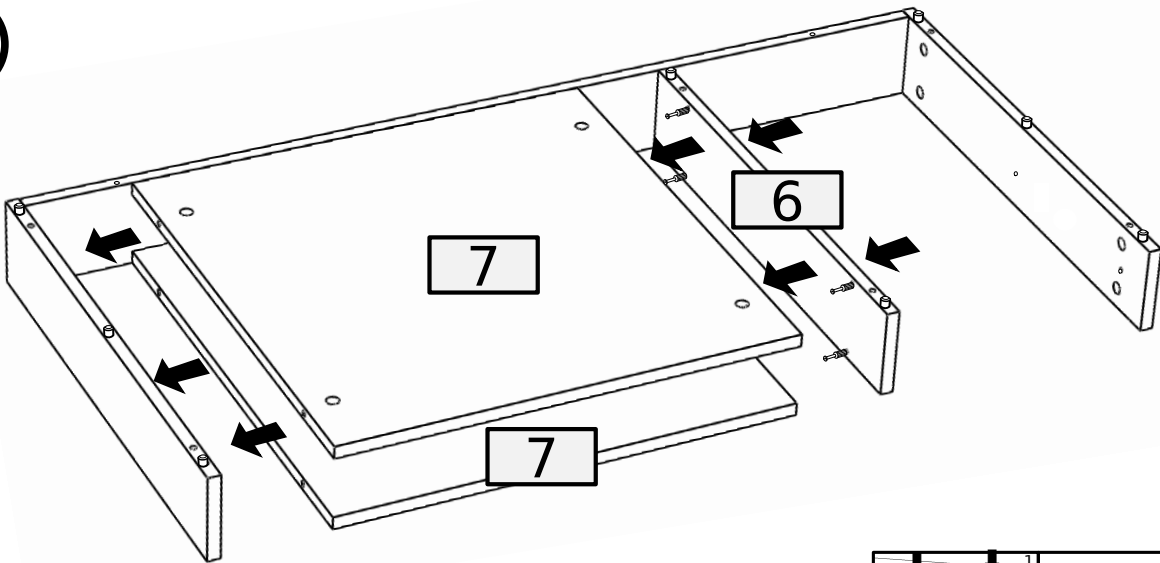
11



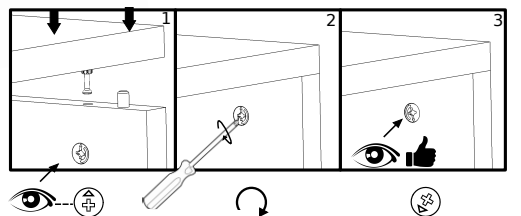
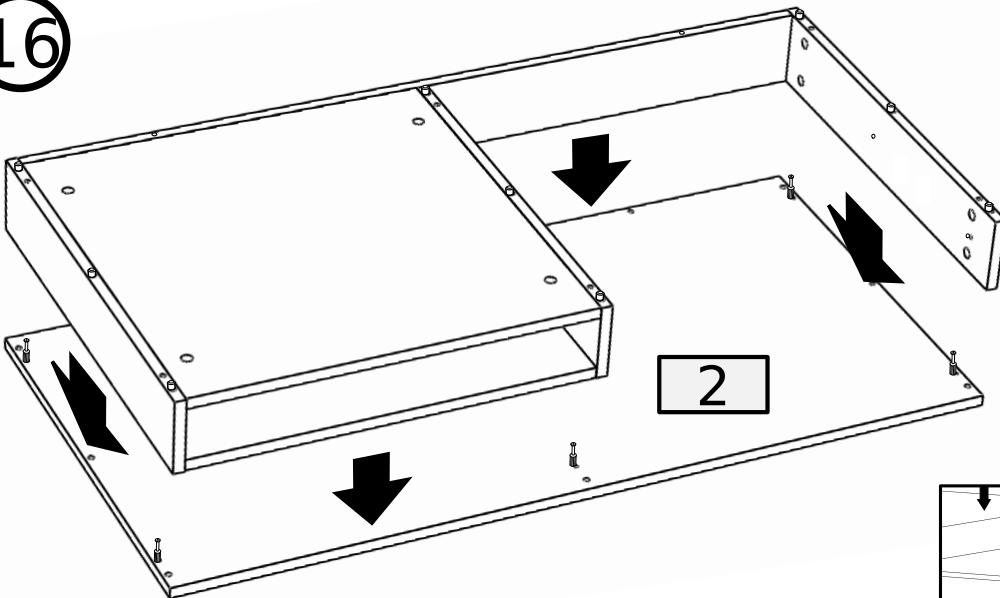
14



15

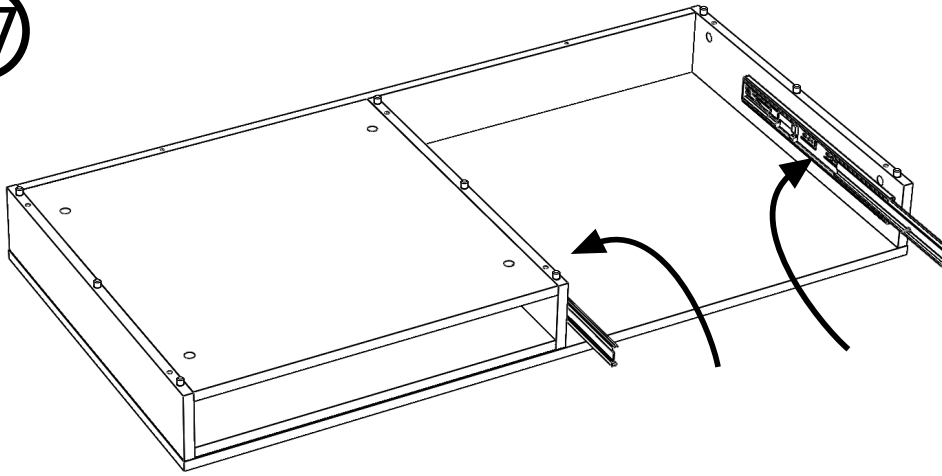




16

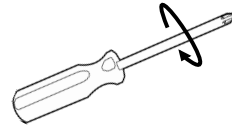
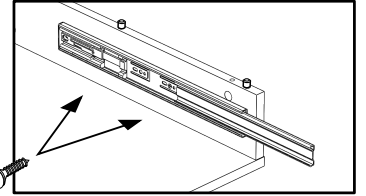




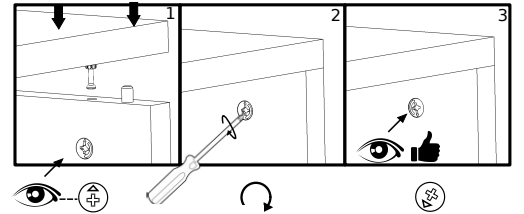
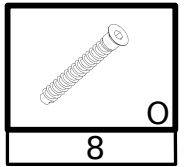
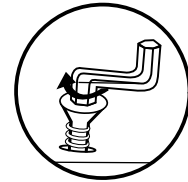
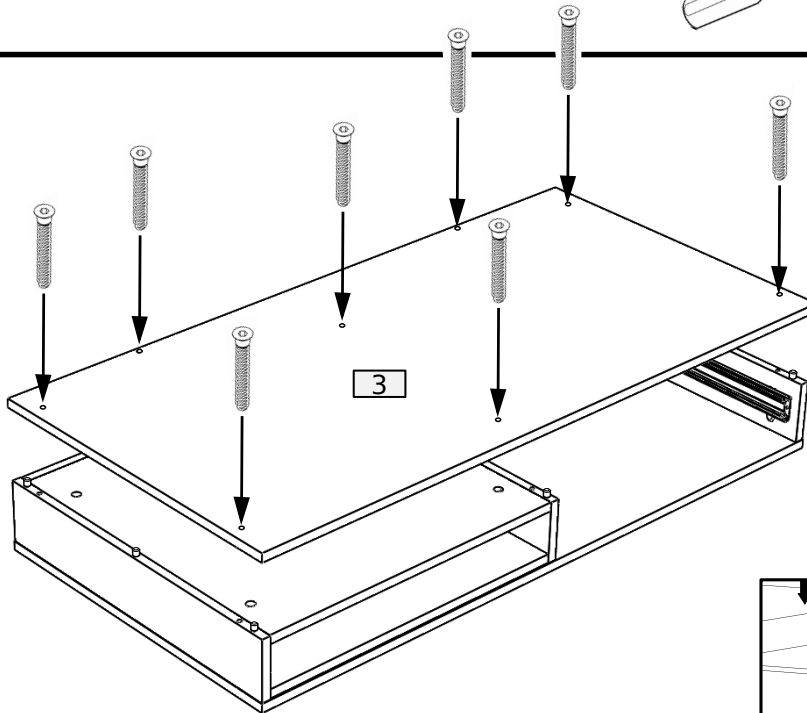
17



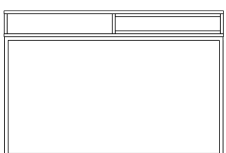
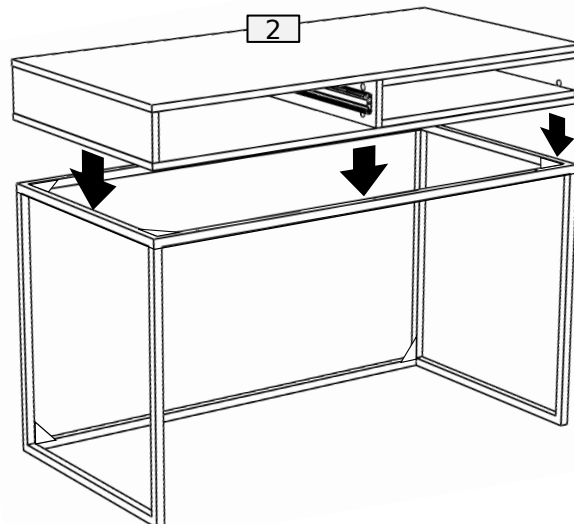
4	2
 3.5x16 W2	 PK



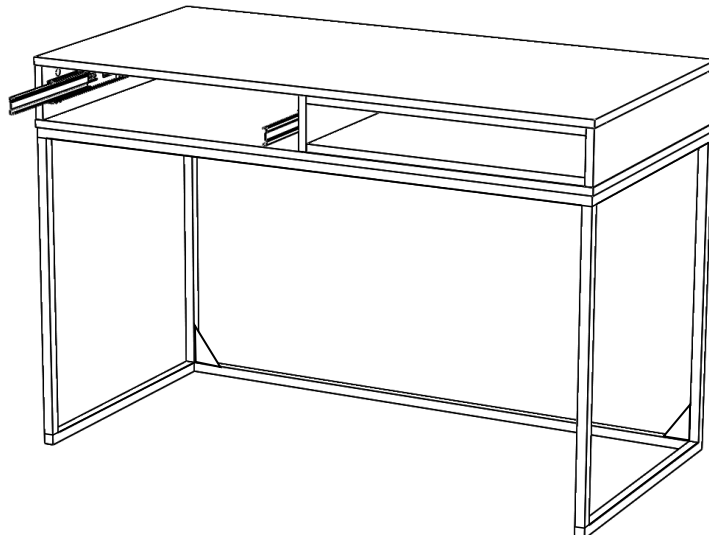
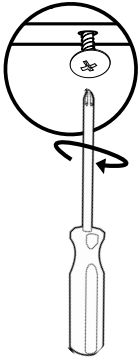
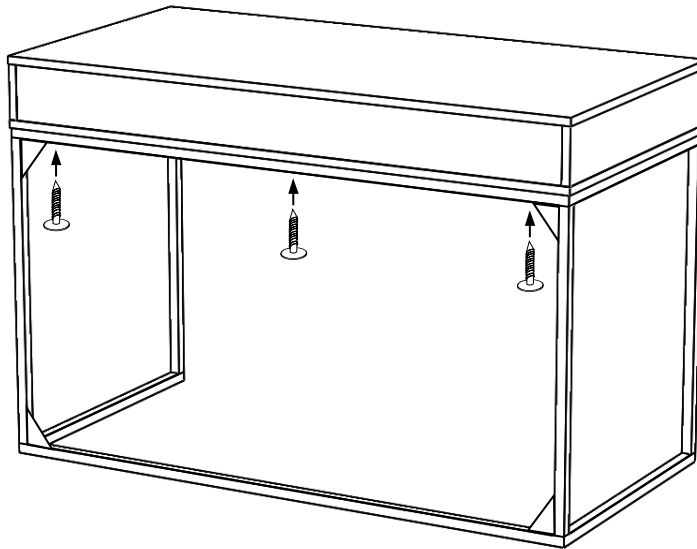
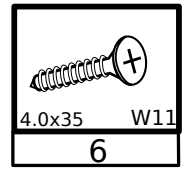
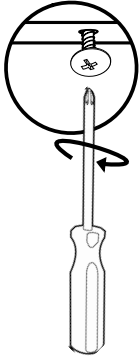
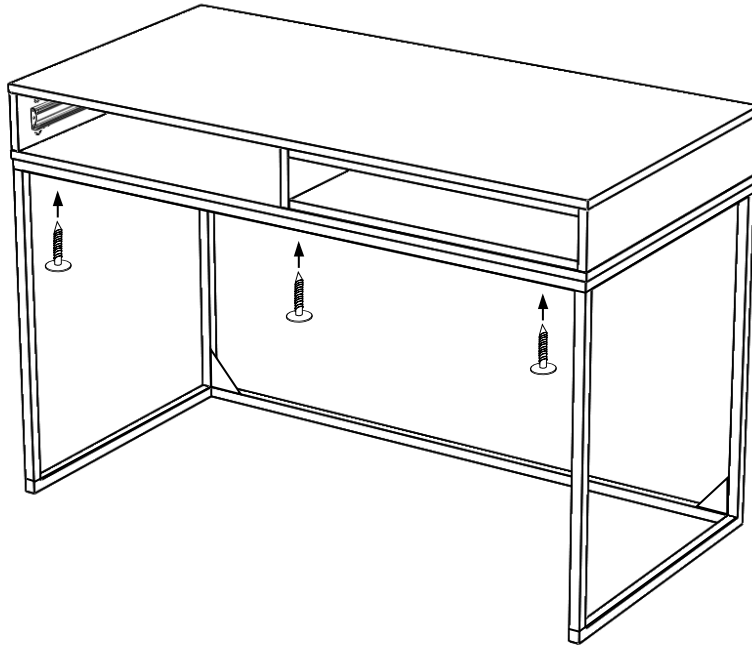
18



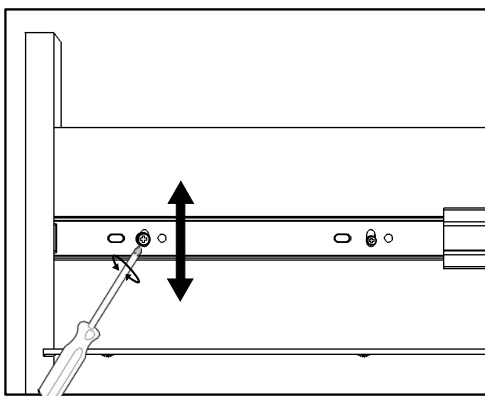
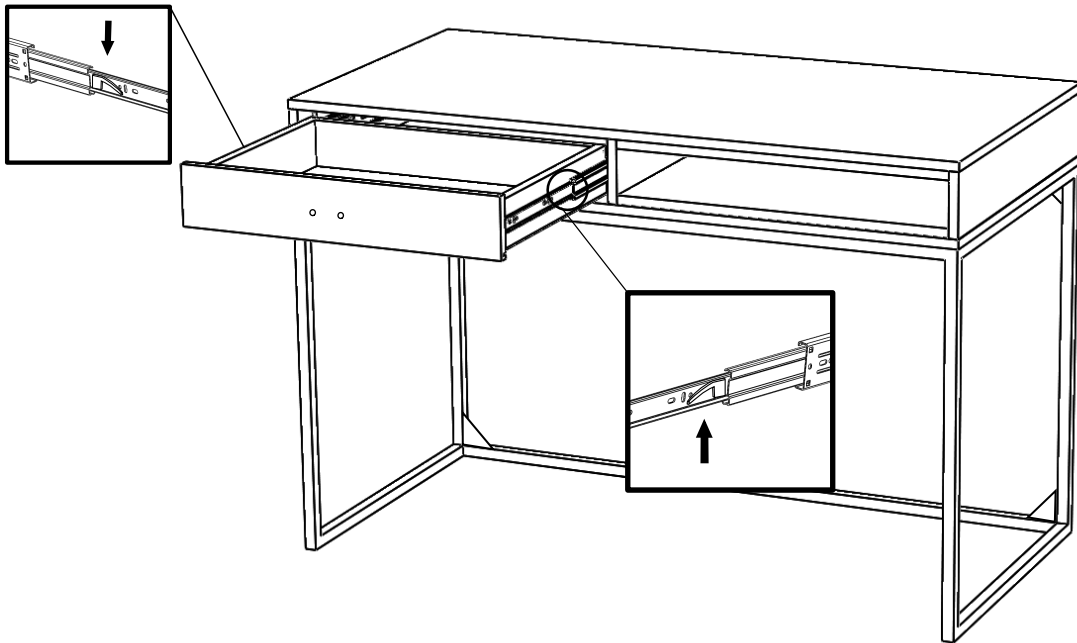
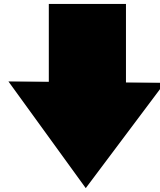
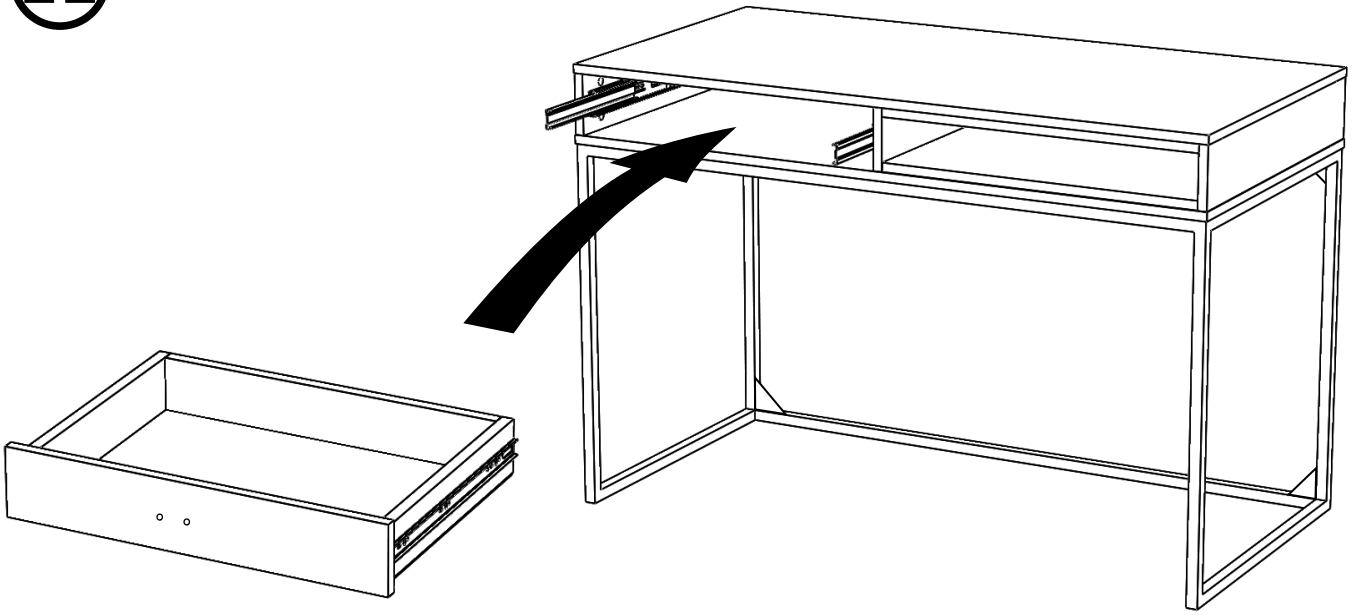
19



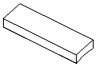

20

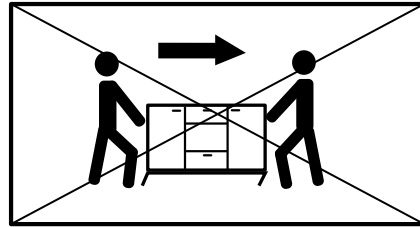
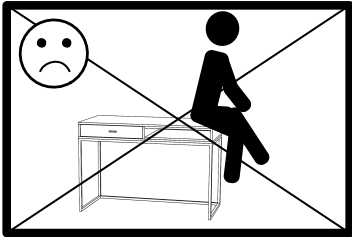
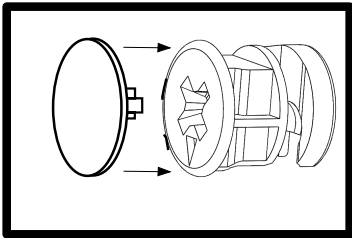
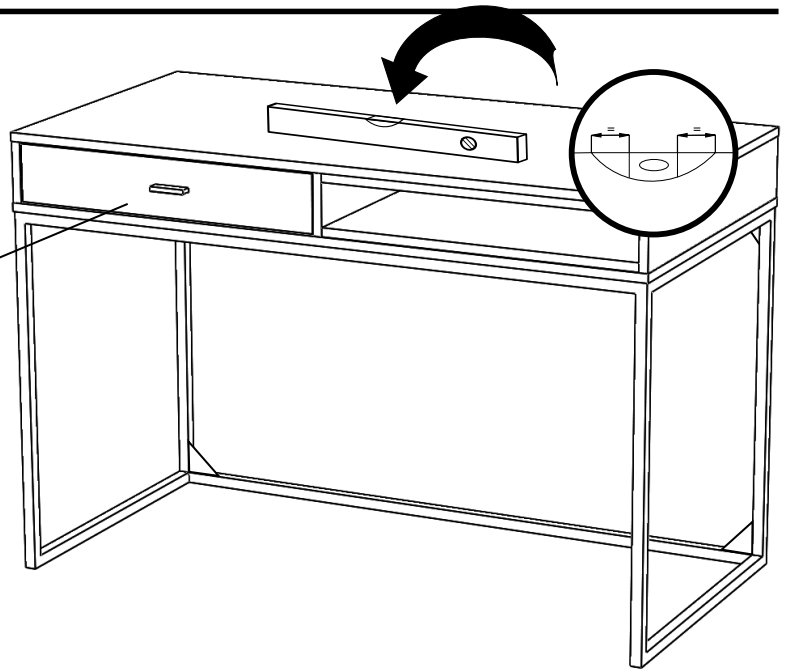
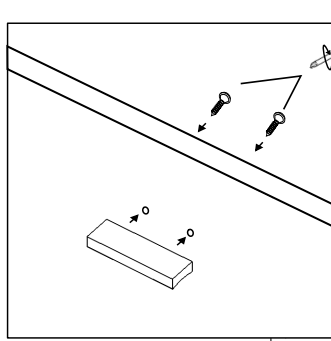


22

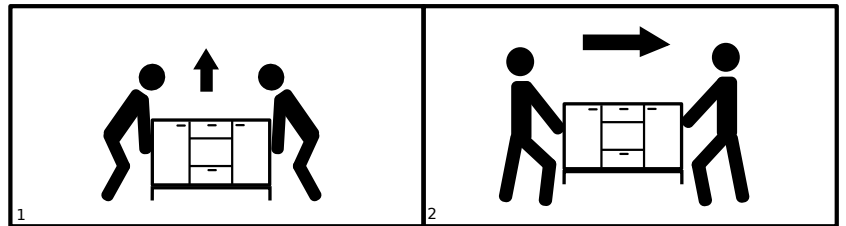


23

1	2
	
UO	3.5x25 W10



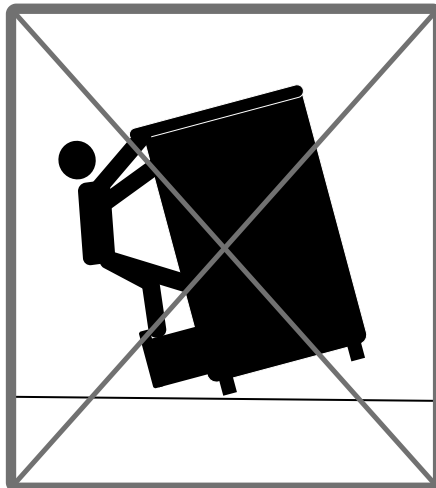
X



1

2

✓



23

