
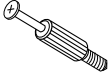
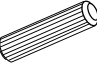







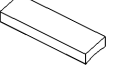

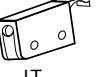
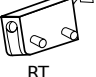

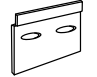
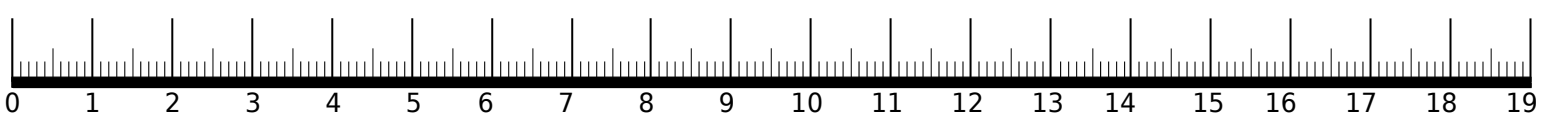
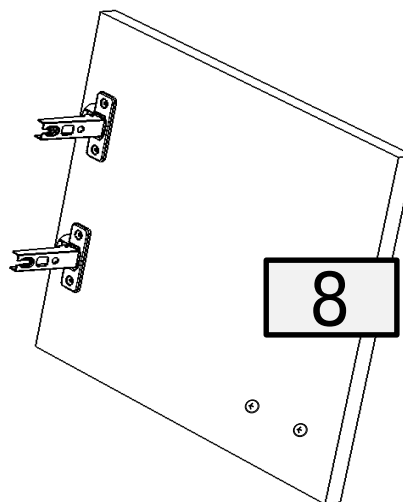
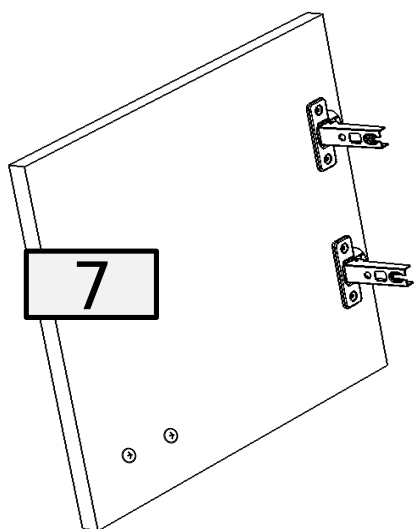
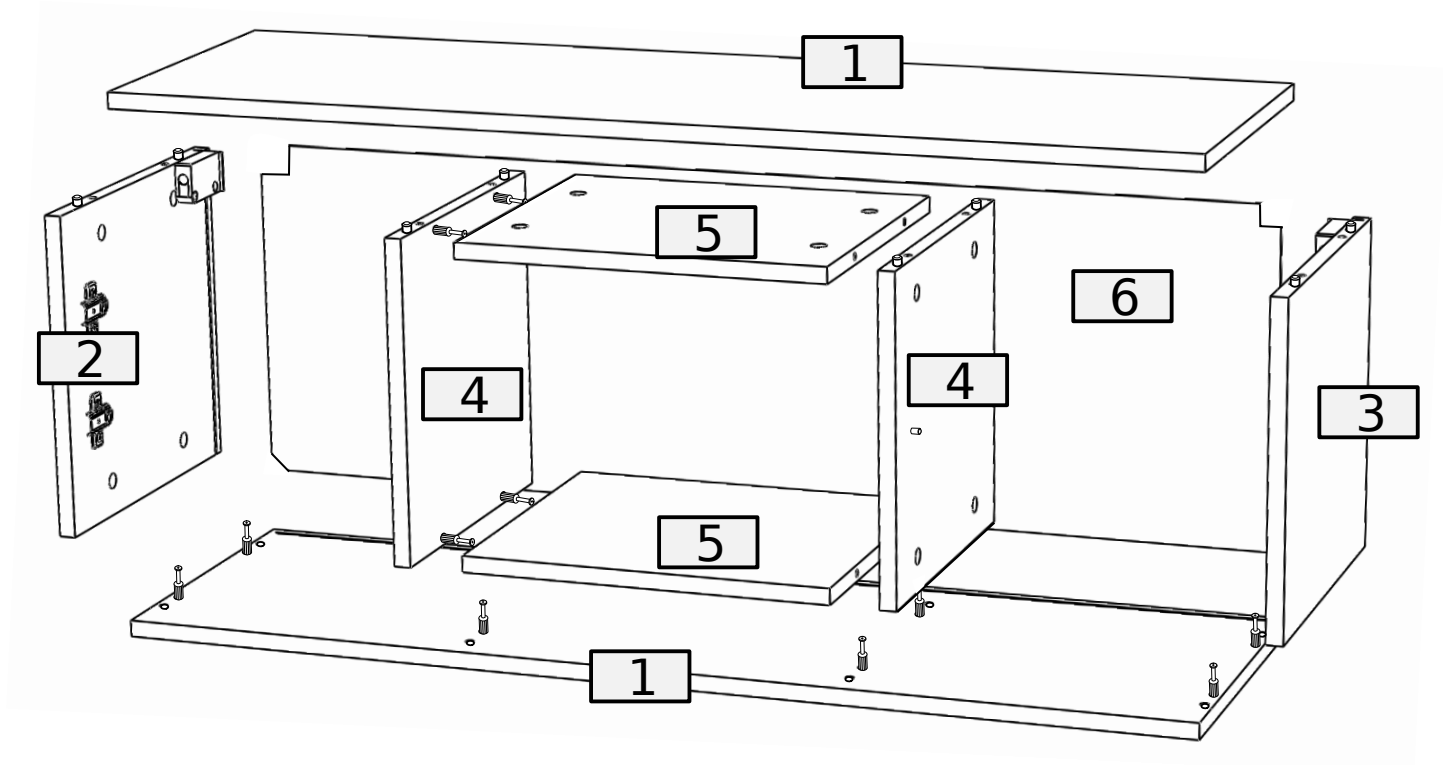


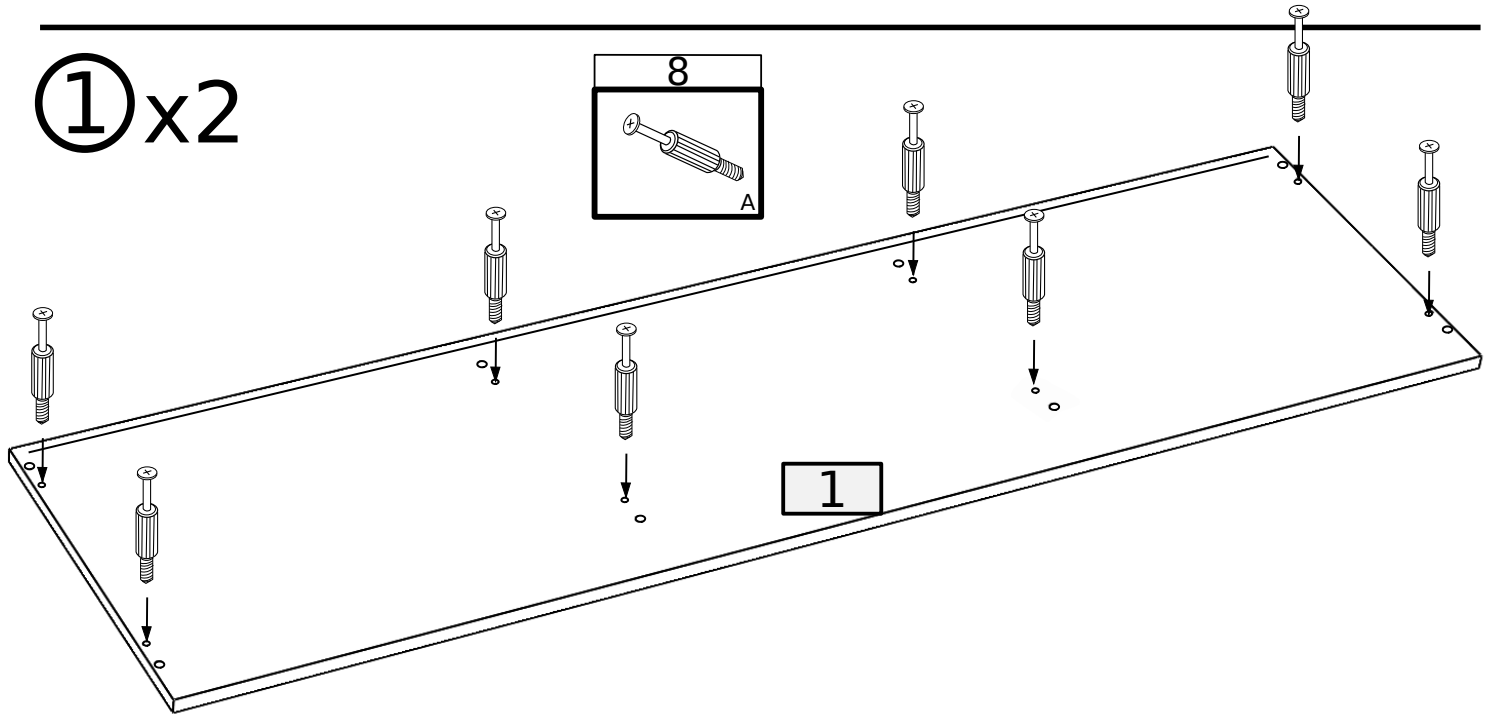
24	24	16	8	4	6	8	2
							
B	A 8.0x35	D 3.5x16	W2	PZ	G	I	S4
							
X 3.5x25	W10	UO	Z	LT	RT	W 4.0x30	WI
16	4	2	4	1	1	4	2



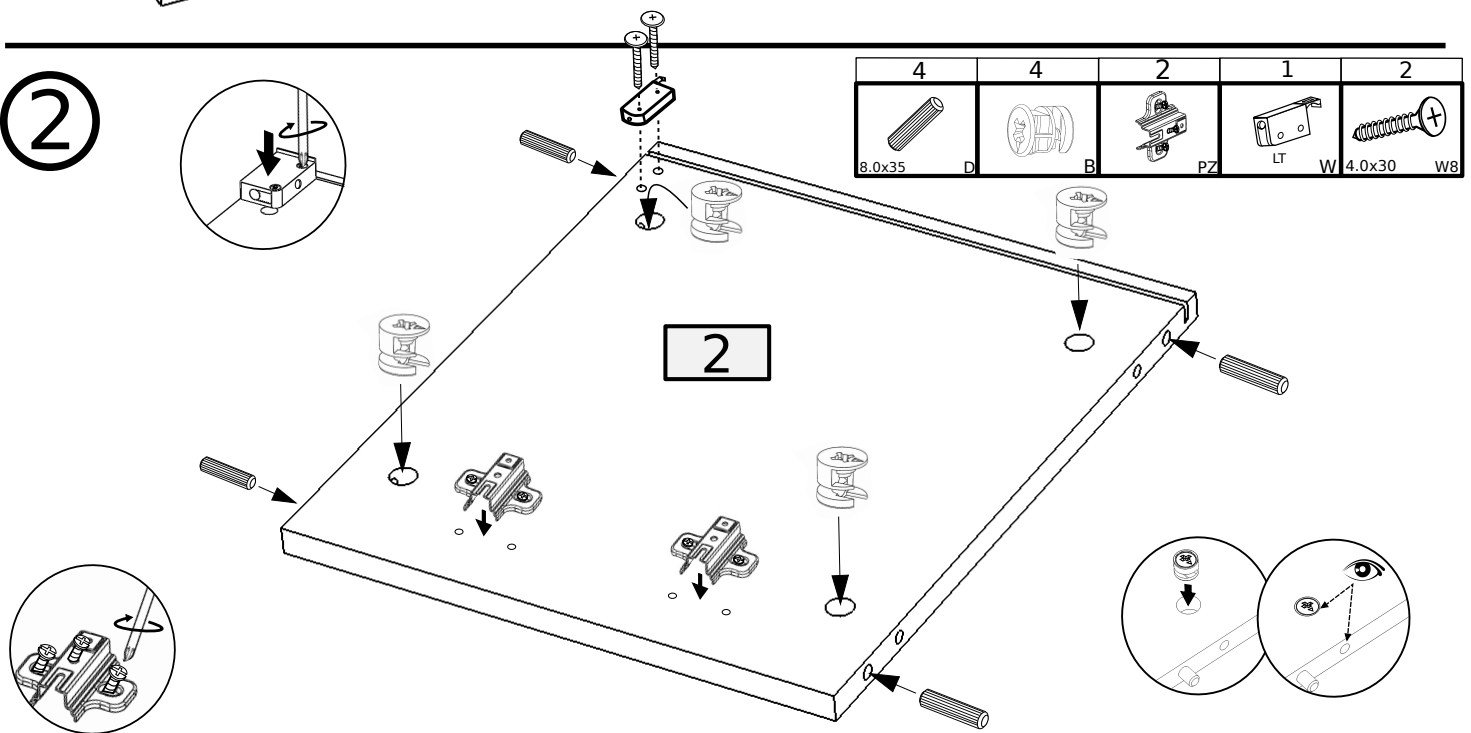


No.	Pcs.	L	W	D	Pac
1	2	1050	330	16	1/1
2	1	329	315	16	1/1
3	1	329	315	16	1/1
4	2	309	315	16	1/1
5	2	308	360	16	1/1
6	1	1032	329	3	1/1
7	1	309	309	16	1/1
8	1	309	309	16	1/1

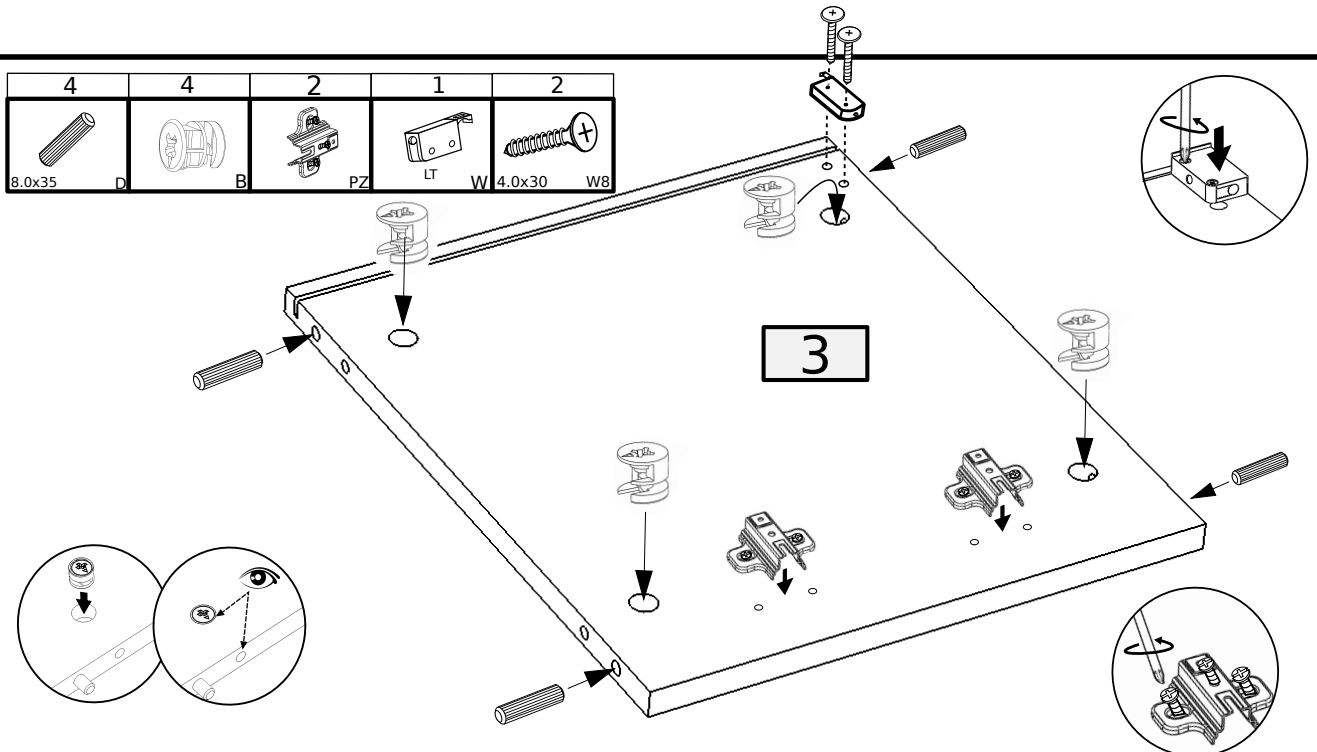
① x2






②

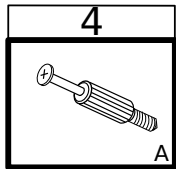
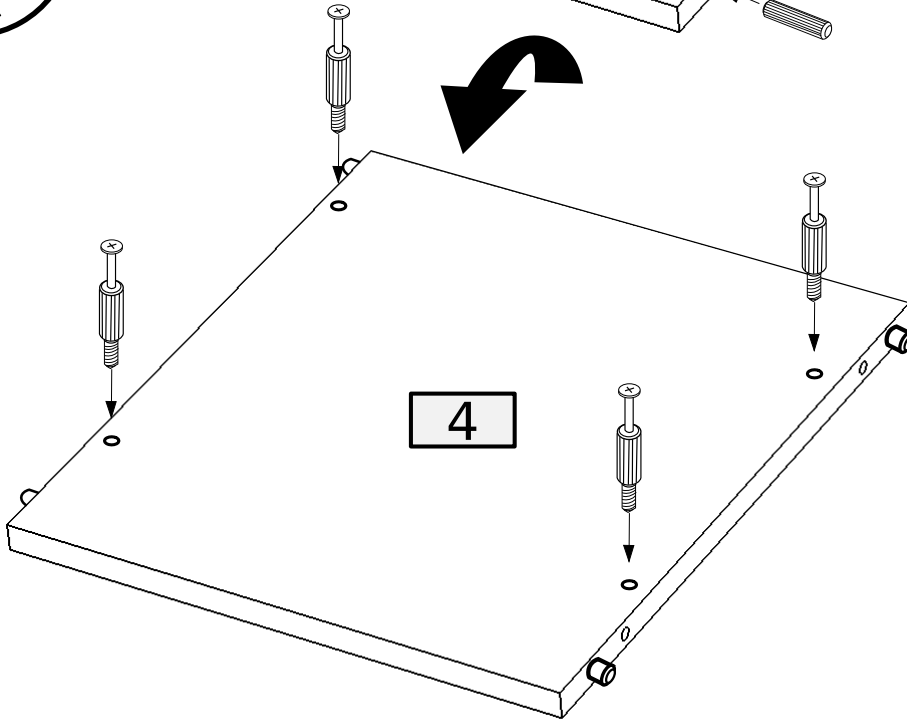
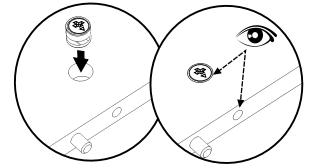
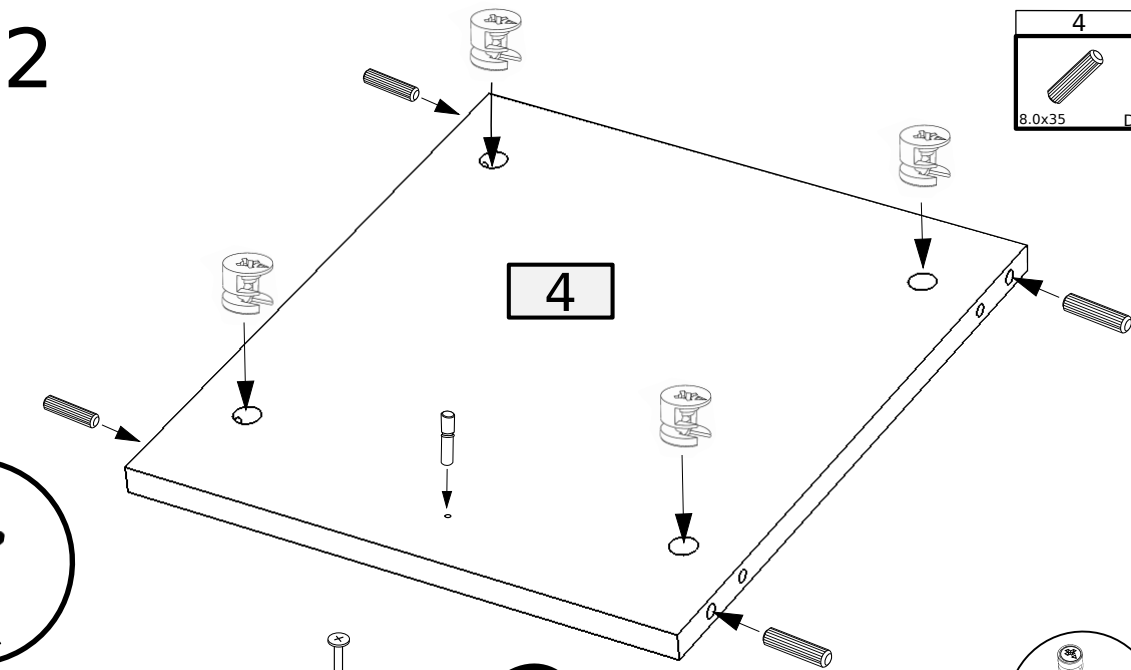


③

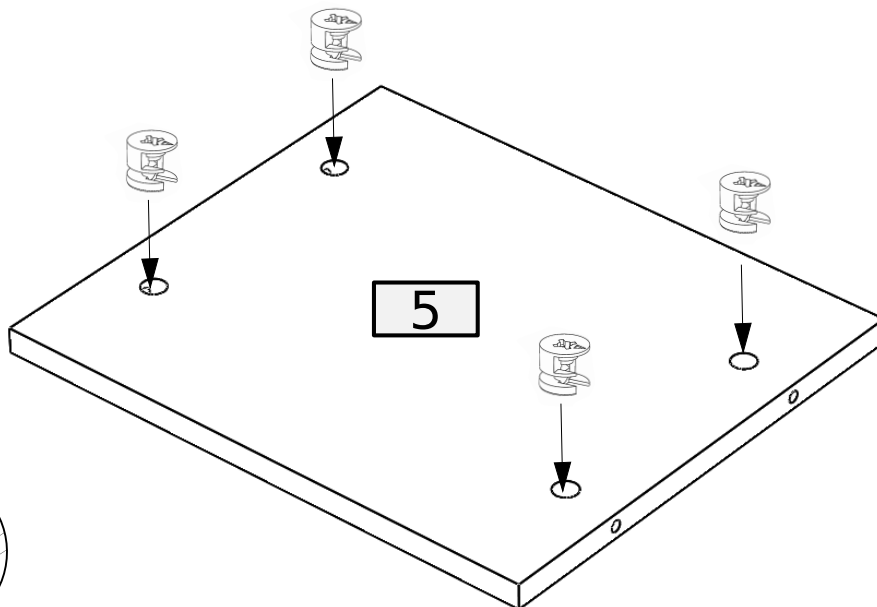
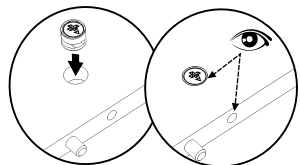
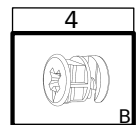


④ x2

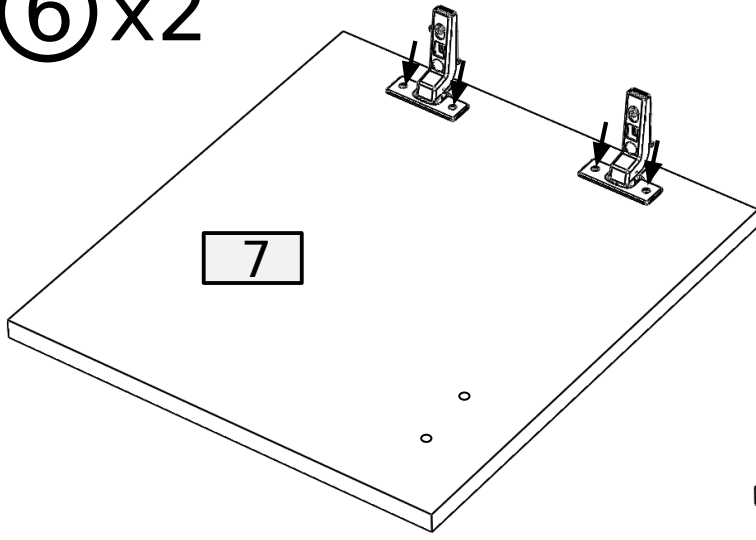
4	4	1
		
8.0x35	D	B
		S4





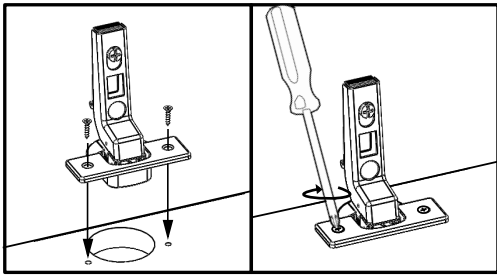
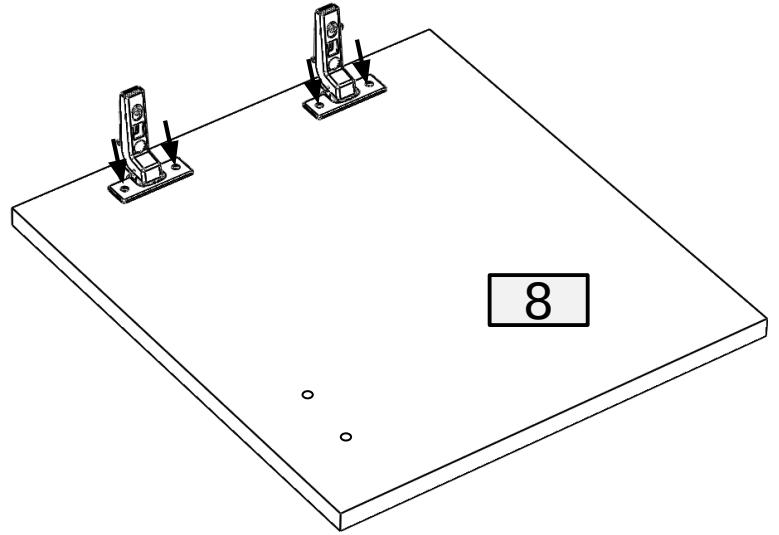
⑤ x2



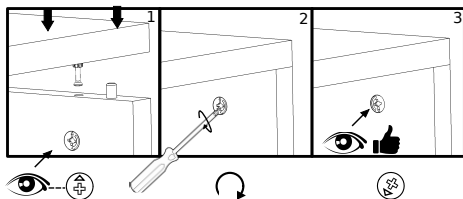
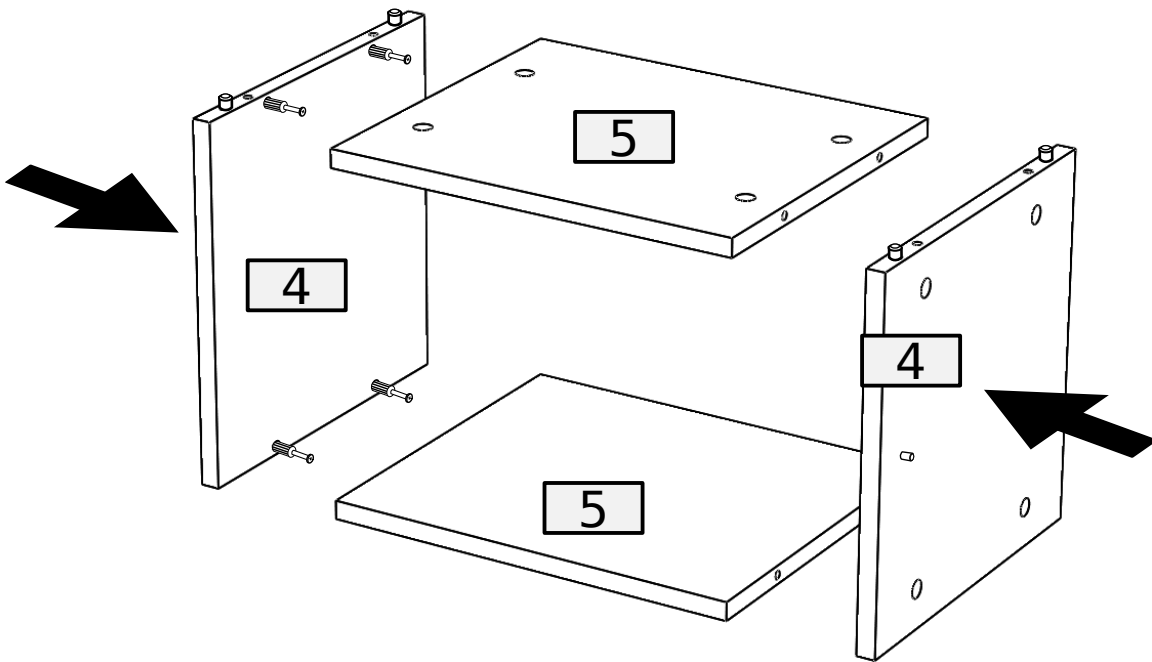
⑥ x2



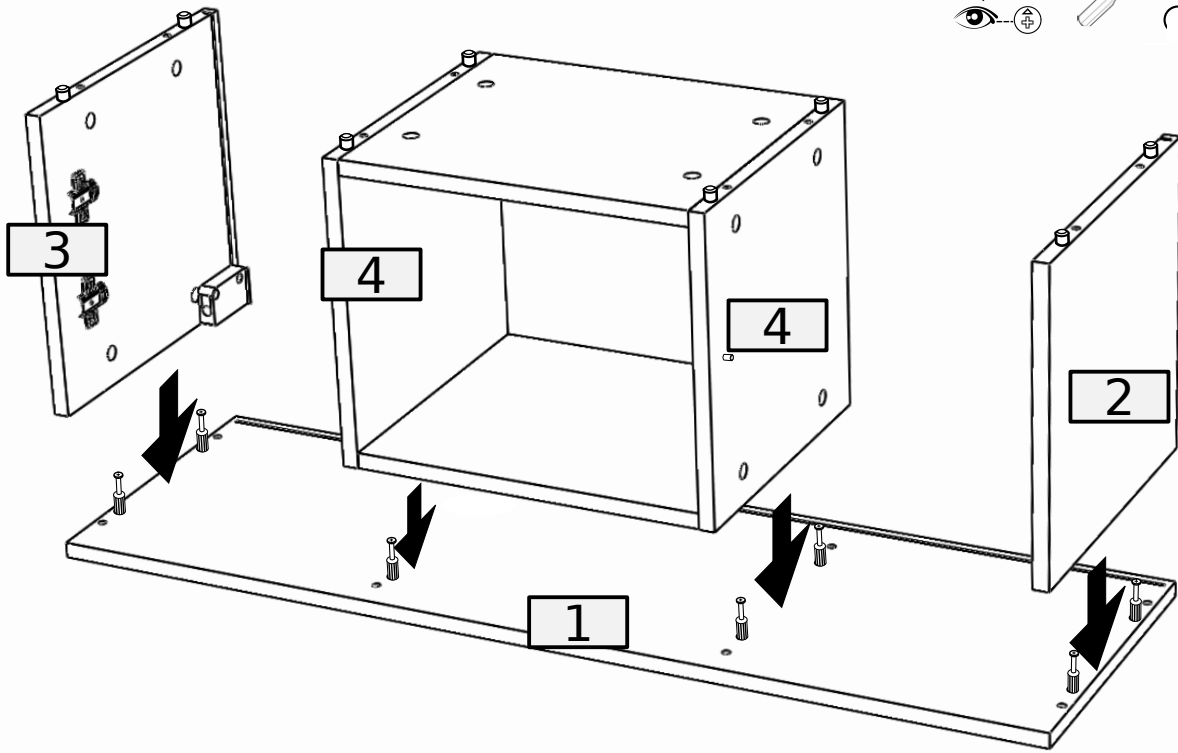
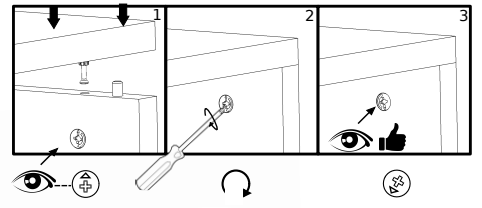
 3.5x16 W2	 Z
8	4



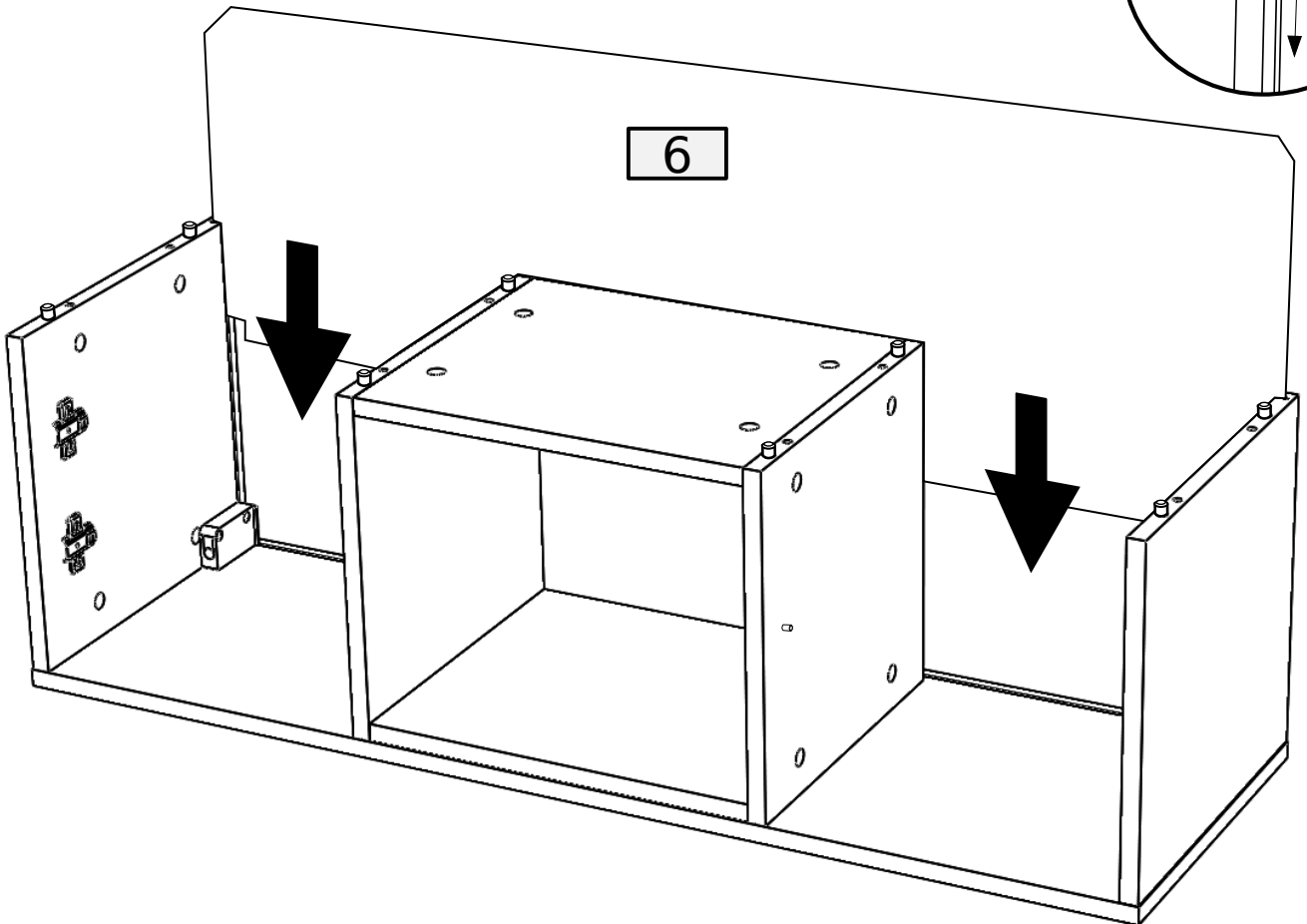
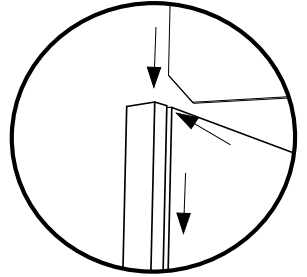
⑦



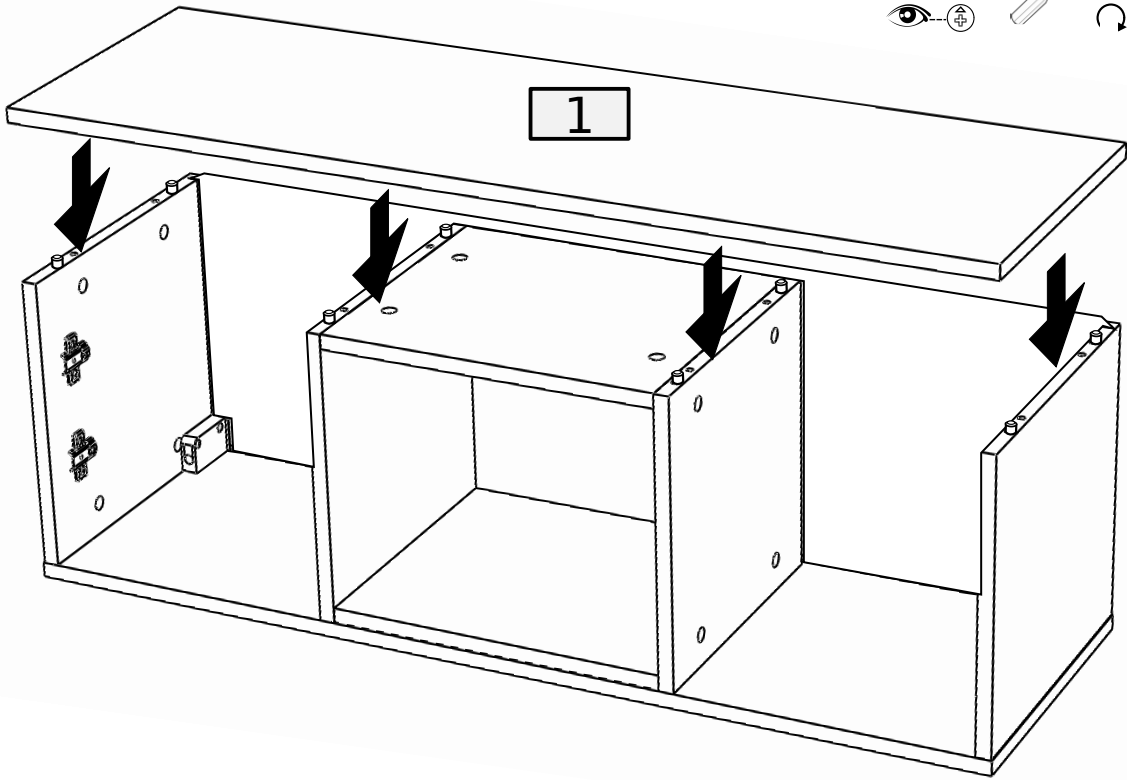
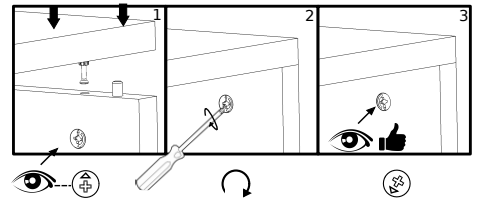
8



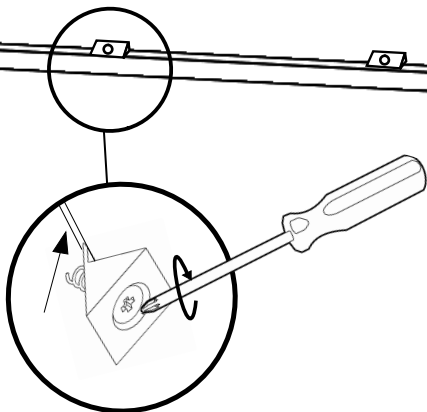
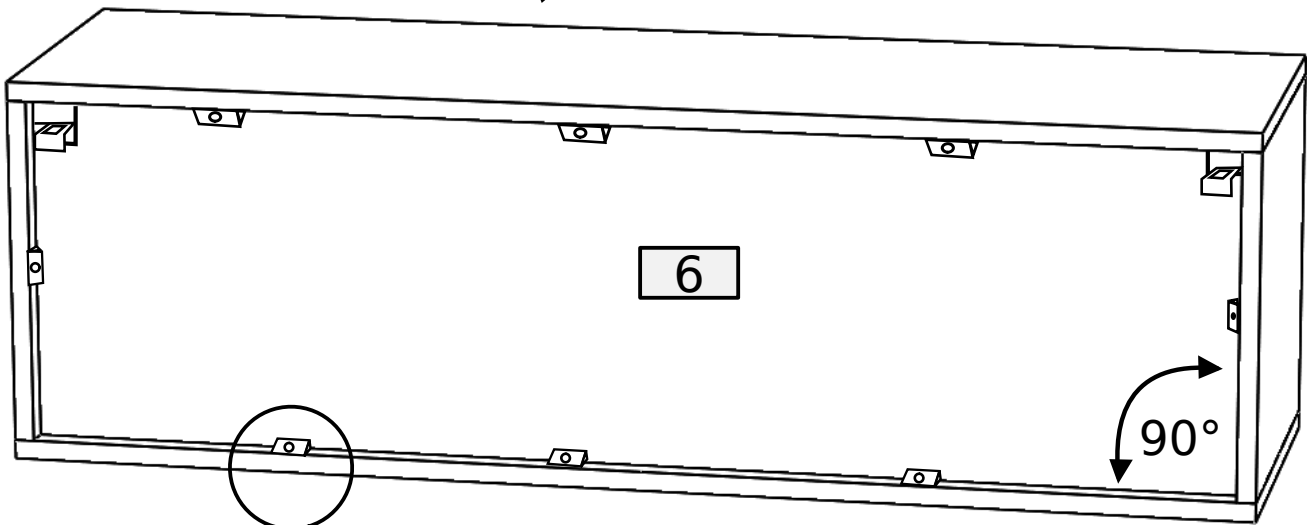
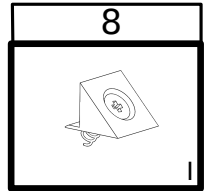
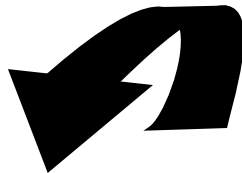
9



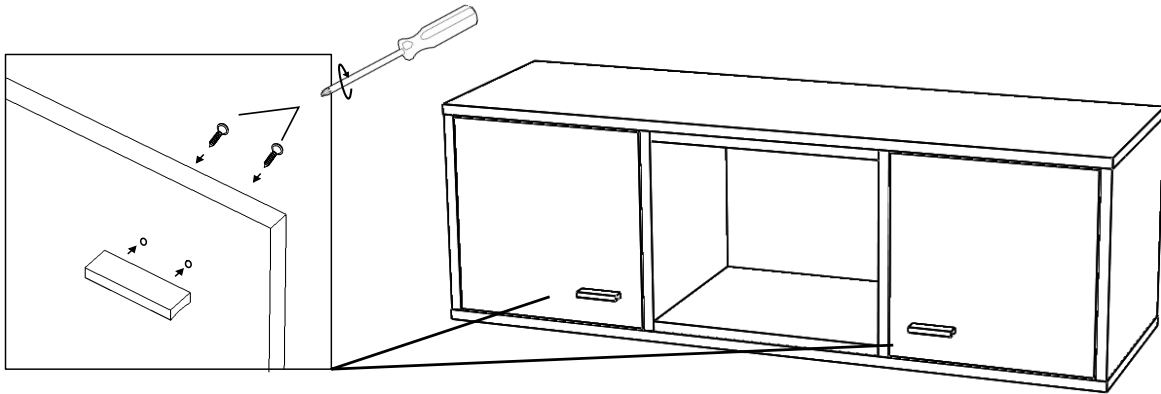
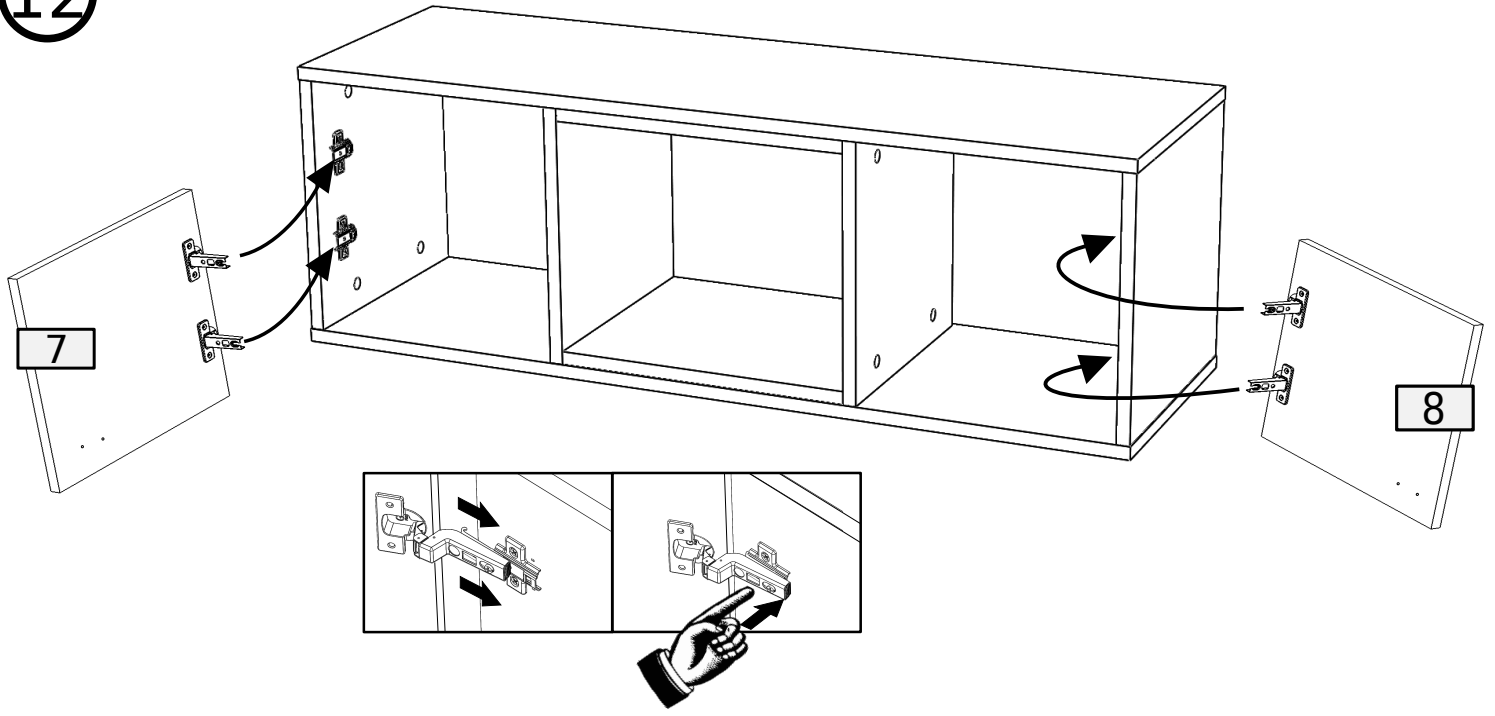
10



11

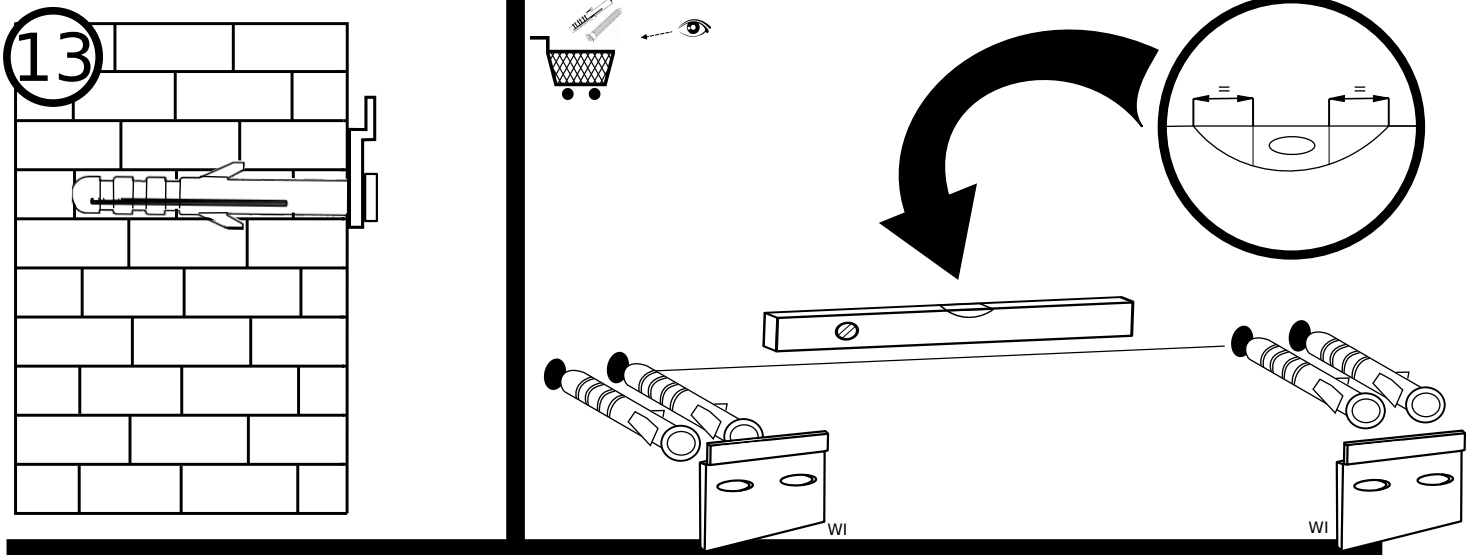


12



2	4
UO 3.5x25	W10

13



14

