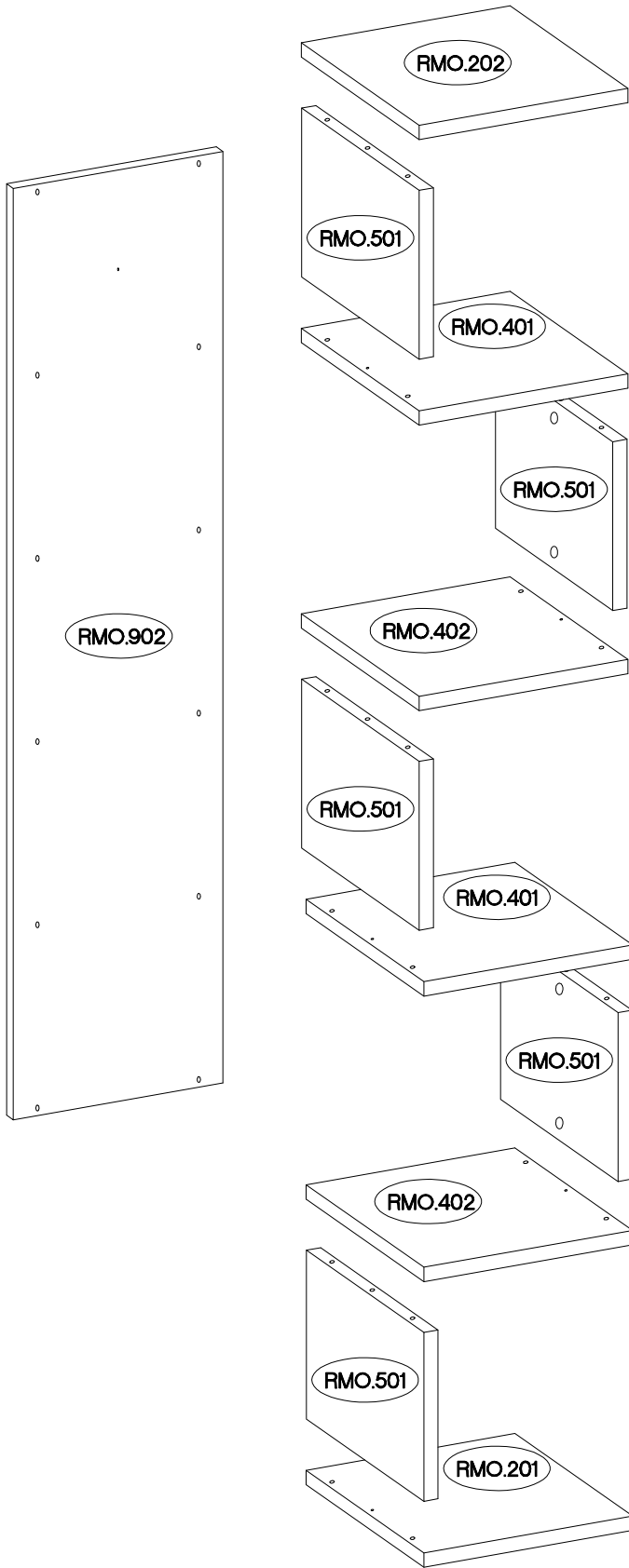


$\dagger 10 \times 50 \text{mm}$	$\dagger 5.0 \times 70 \text{mm}$	$\dagger 20$
O7	P29	E1

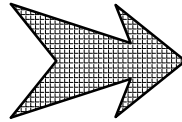
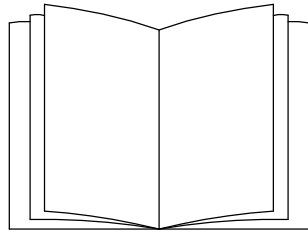
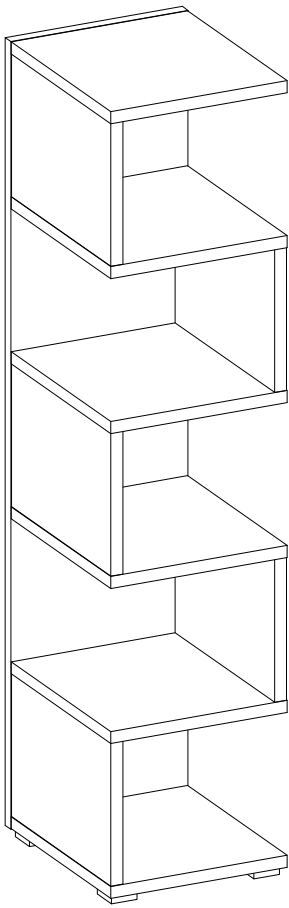
1	1	1
---	---	---

$\dagger 8 \times 30 \text{mm}$	$6.4 \times 50 \text{mm}$	$\dagger 5 / \dagger 8 \text{mm}$	L=20mm		60x40x20	$\dagger 4.0 \times 25 \text{mm}$	
A	B	C6	D2	E	F1	P14	O
20	12	10	10	10	4	8	1



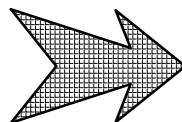
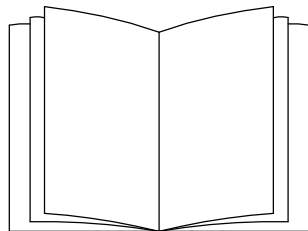
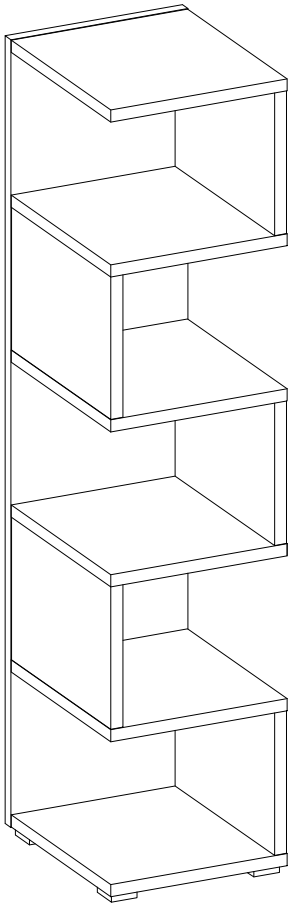
- RMO.201
- RMO.202
- RMO.401
- RMO.402

RMO.201	414x281x28
RMO.202	414x281x28
RMO.401 x 2	414x281x28
RMO.402 x 2	414x281x28
RMO.501 x 5	330x280x28
RMO.902	1820x416x16



1 — 17

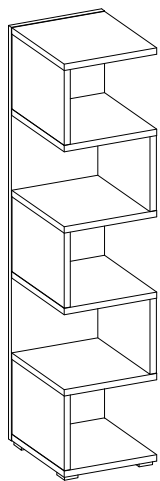
35

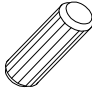
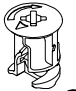
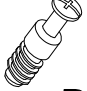
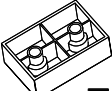



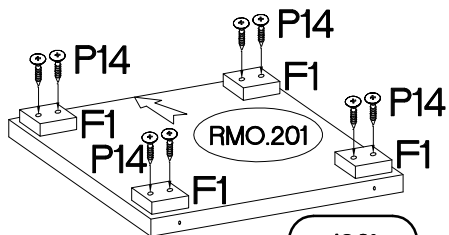
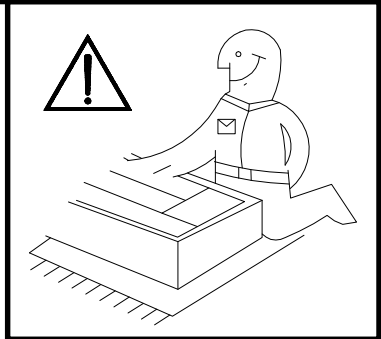
18 — 34

35

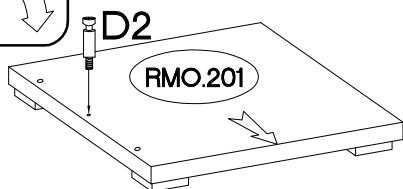
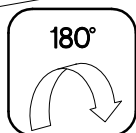
1



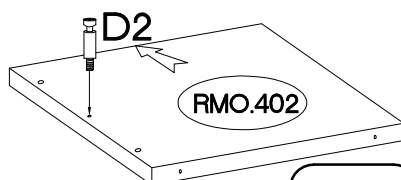
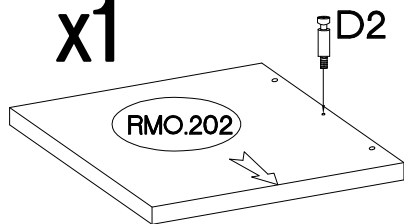
∅8x30mm	∅15/18mm	L=20mm	60x40x20	∅4.0x25mm
				
A	C6	D2	F1	P14
20	10	10	4	8



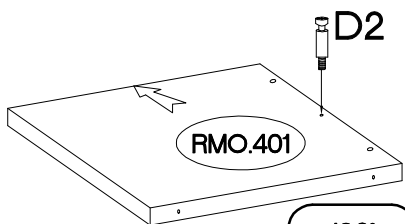
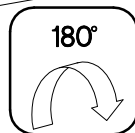
x1



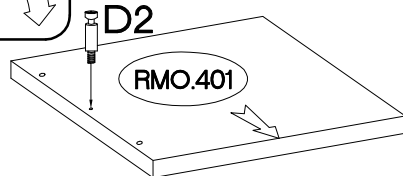
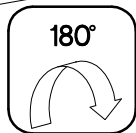
x1



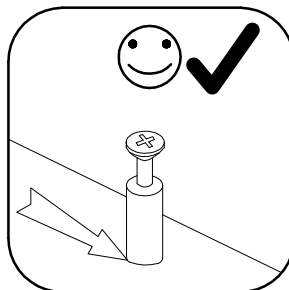
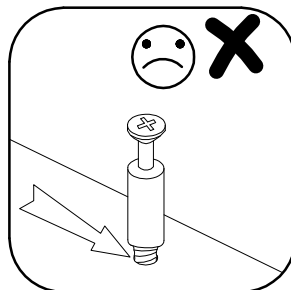
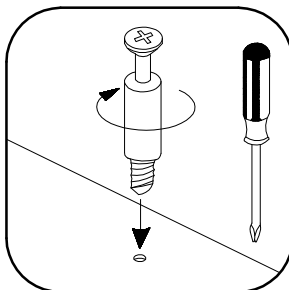
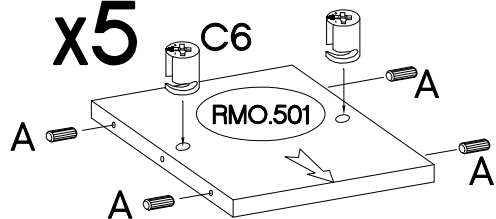
x2



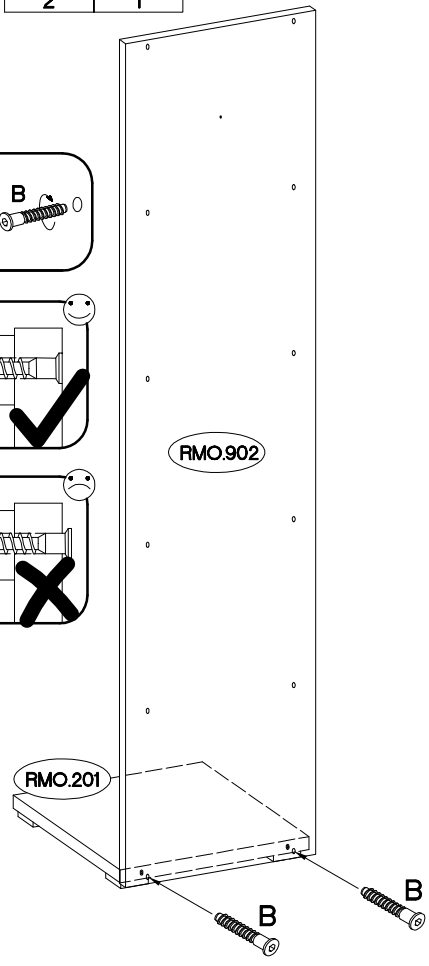
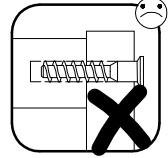
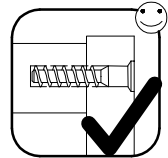
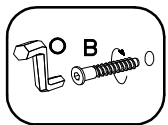
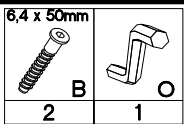
x2



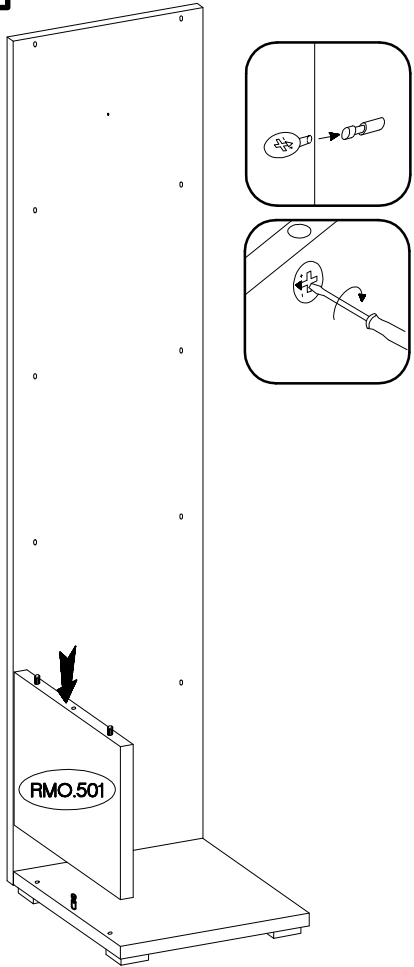
x5



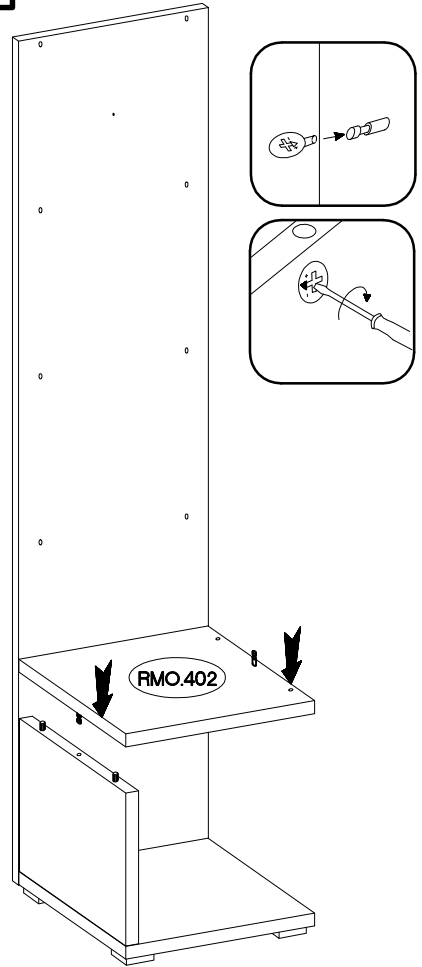
2



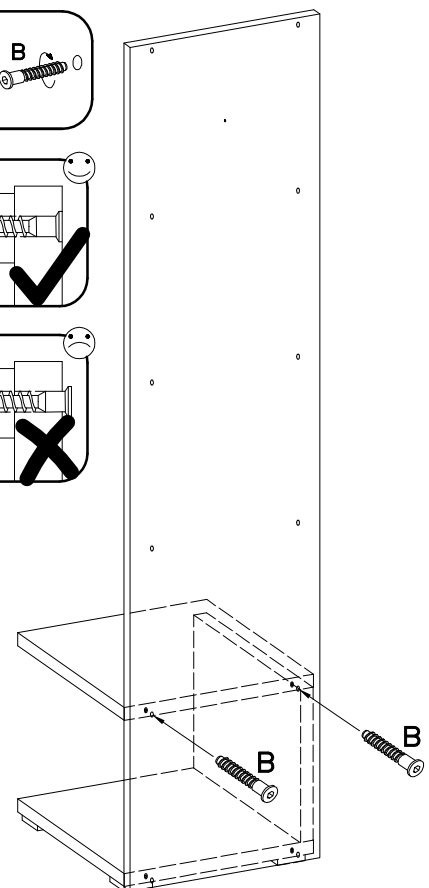
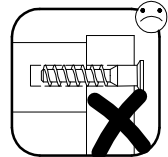
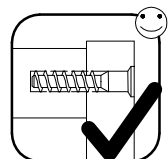
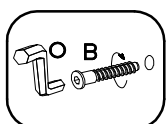
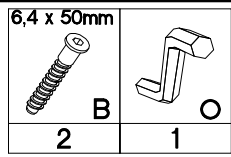
3



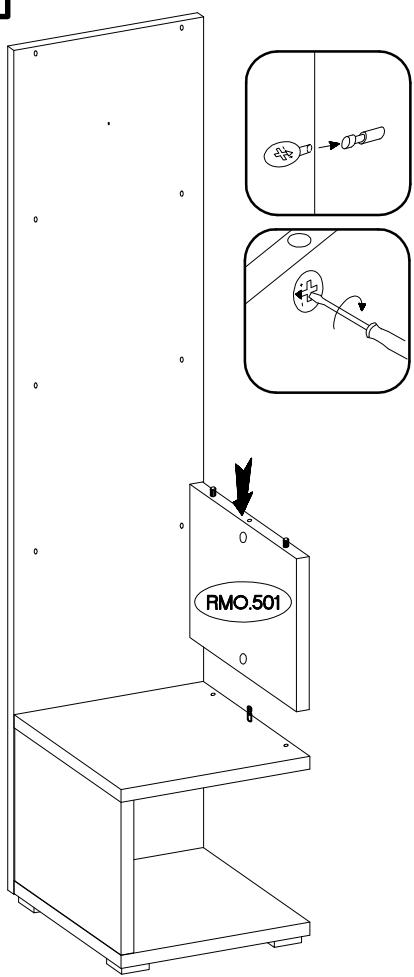
4



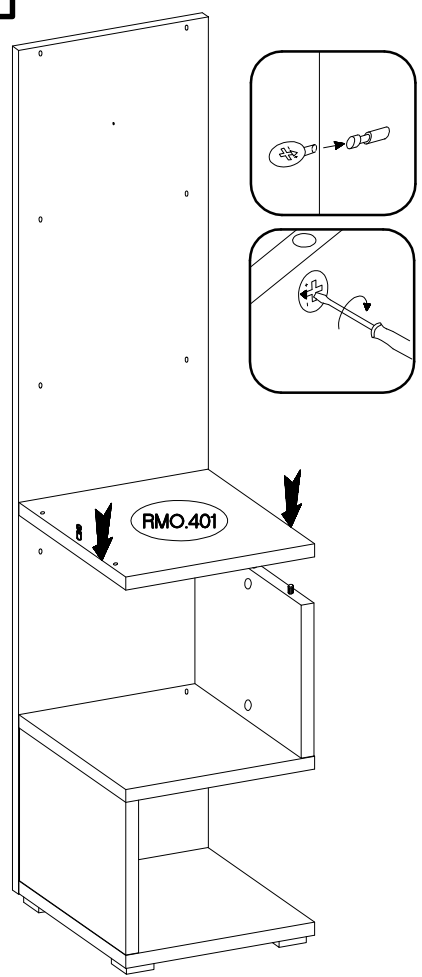
5



6



7



8

6,4 x 50mm



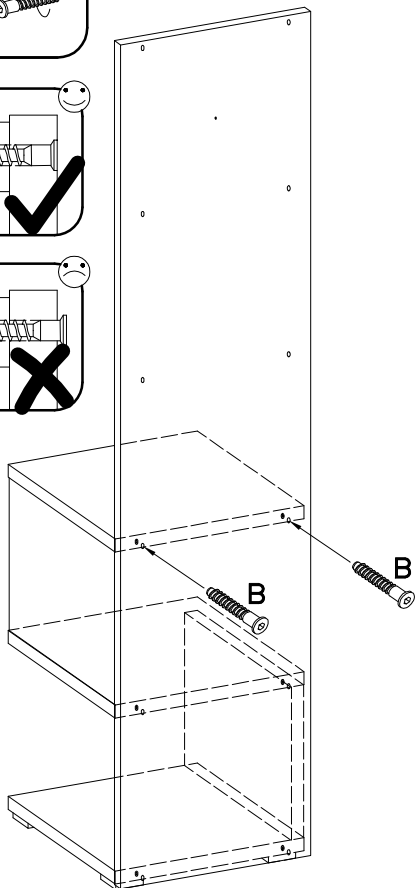
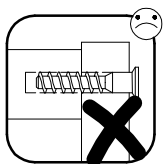
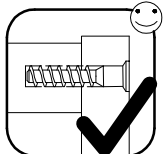
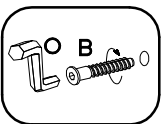
B



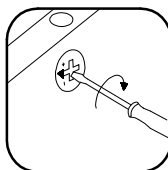
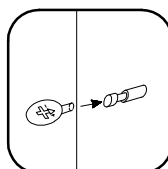
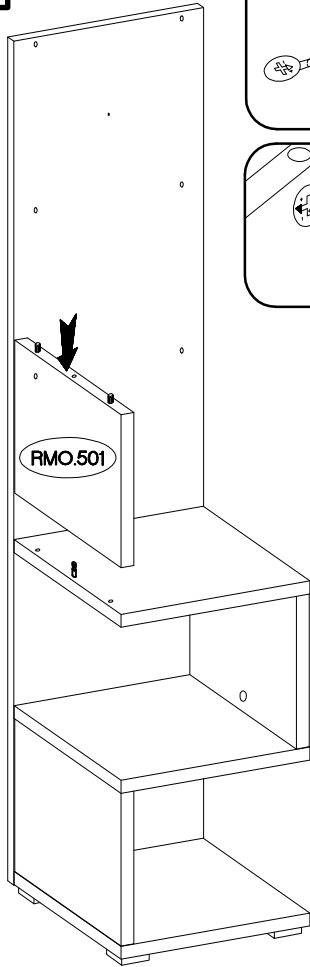
O

2

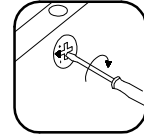
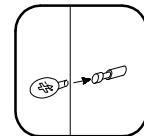
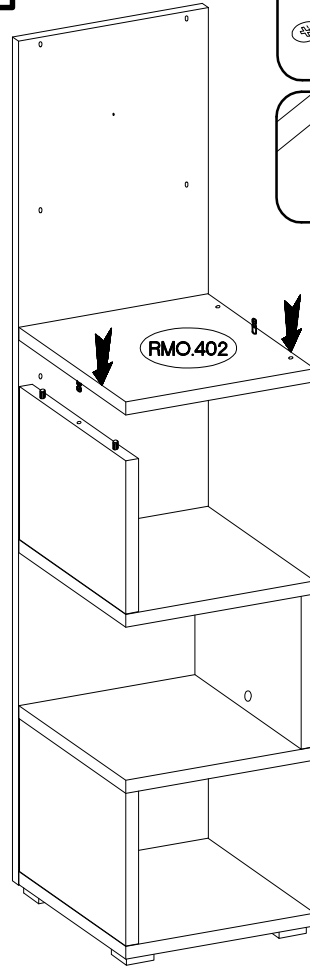
1



9



10



11

6,4 x 50mm



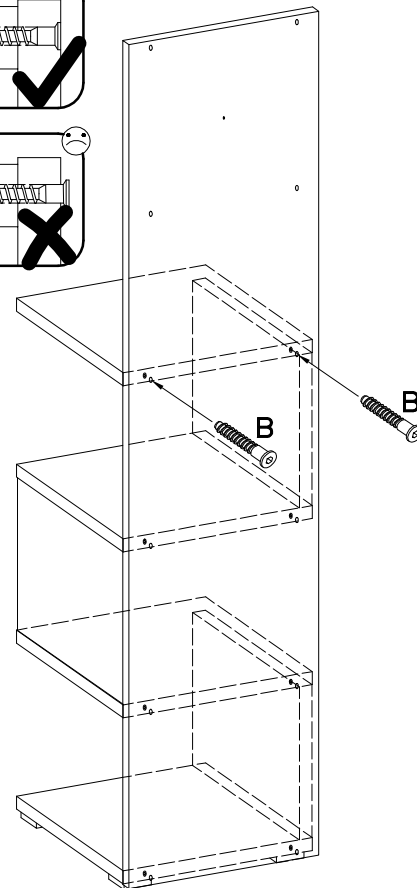
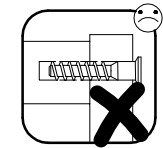
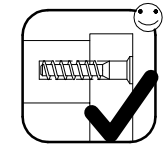
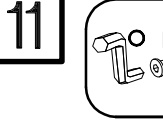
B



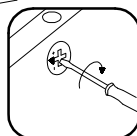
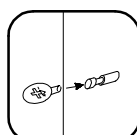
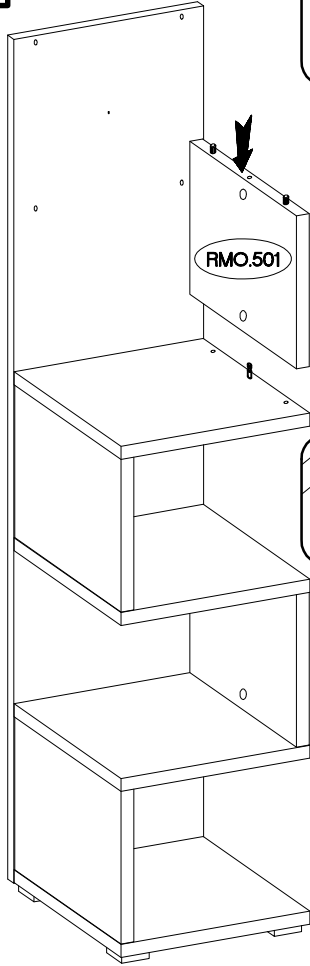
O

2

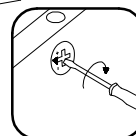
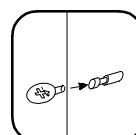
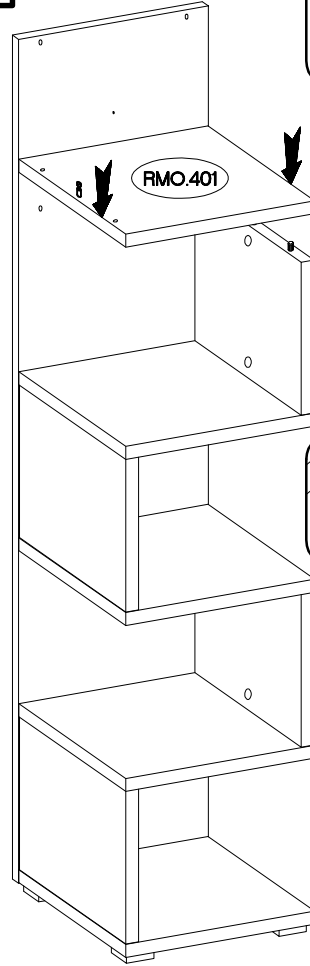
1



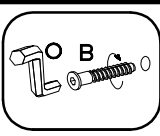
12



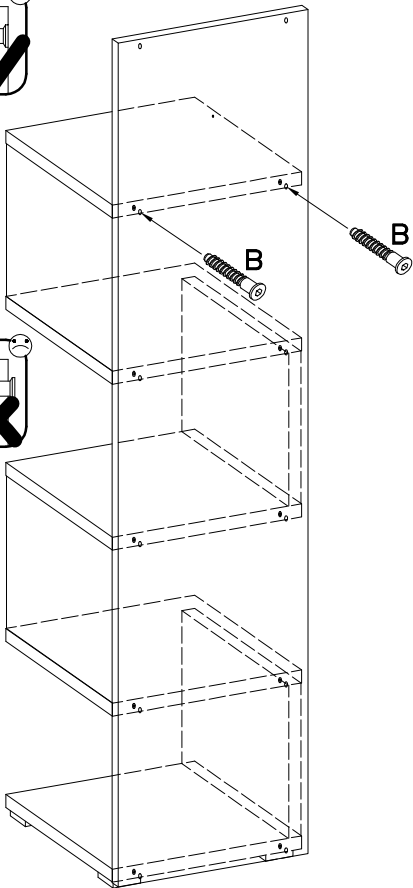
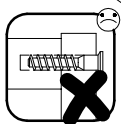
13



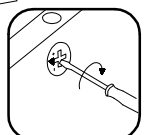
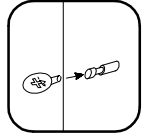
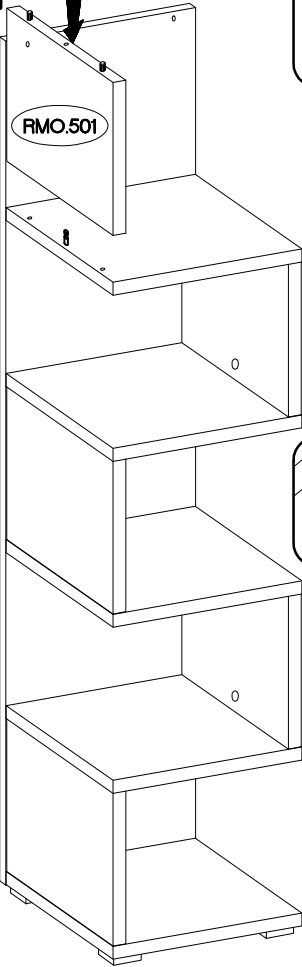
14



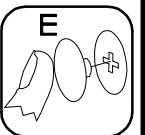
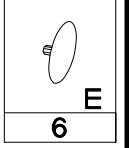
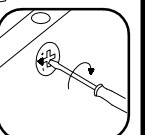
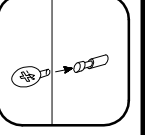
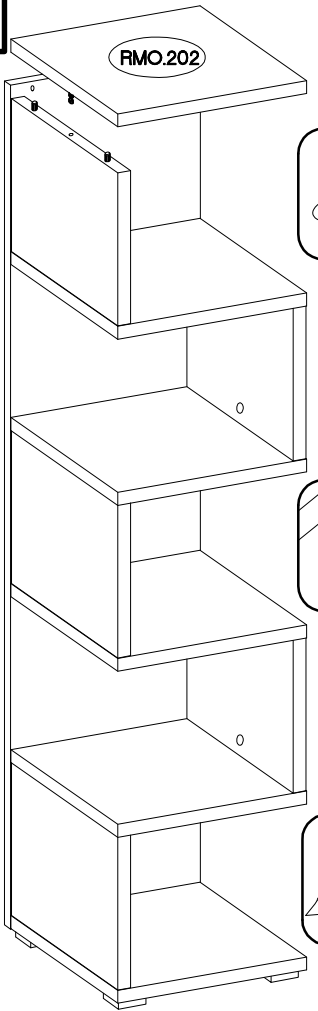
6,4 x 50mm



15

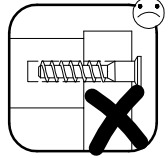
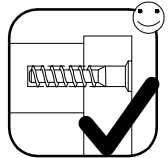
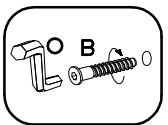
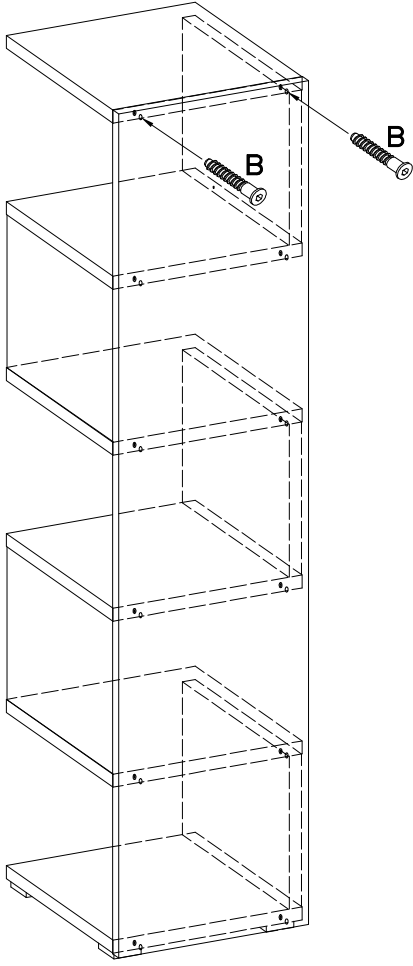


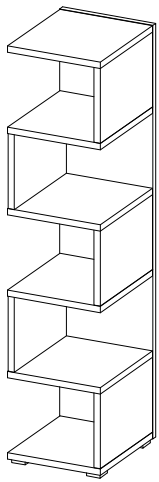
16



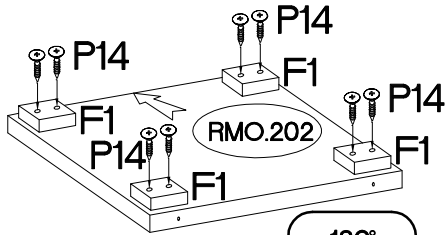
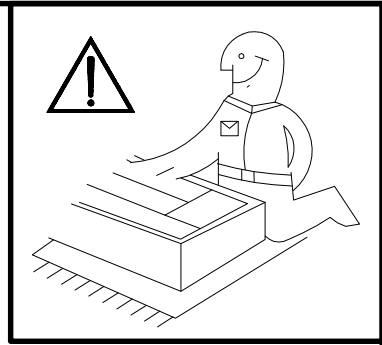
17

6,4 x 50mm

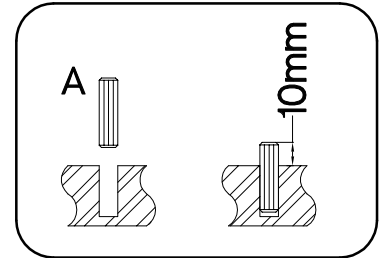
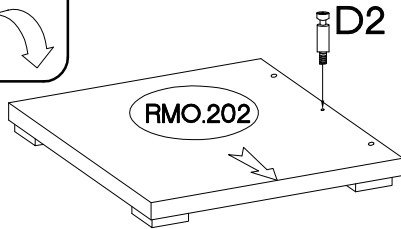
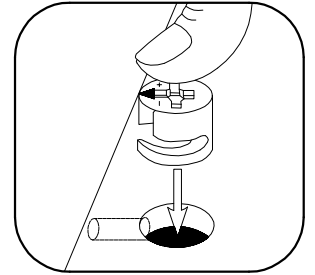
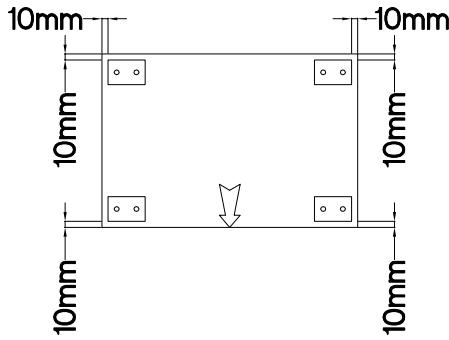
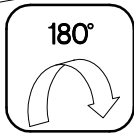




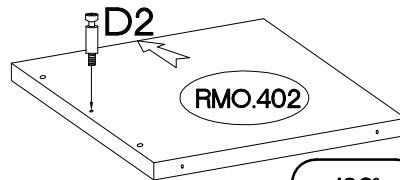
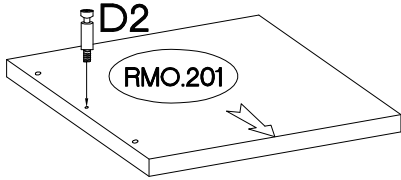
†8x30mm	†15/18mm	L=20mm	60x40x20	†4.0x25mm
A	C6	D2	F1	P14
20	10	10	4	8



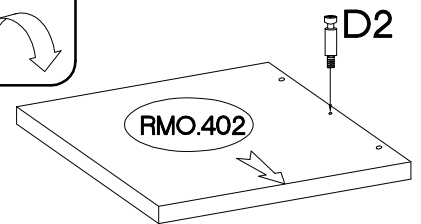
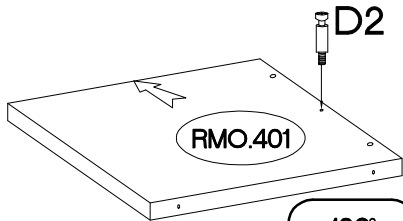
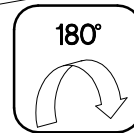
x1



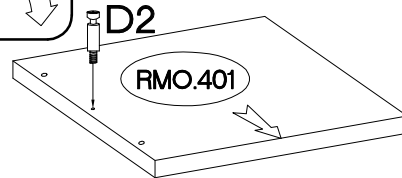
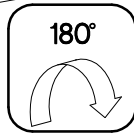
x1



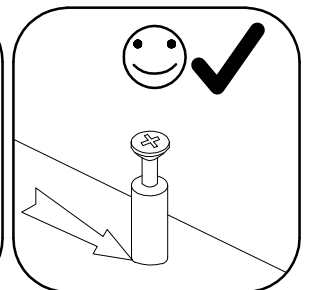
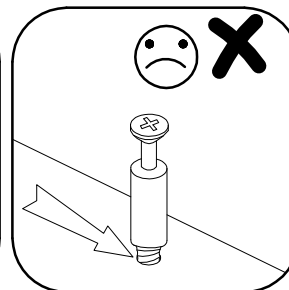
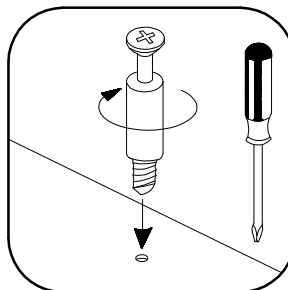
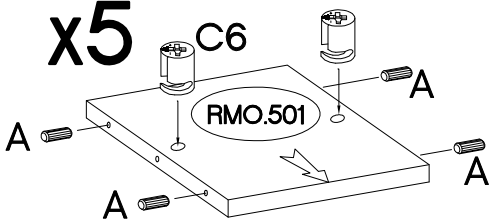
x2



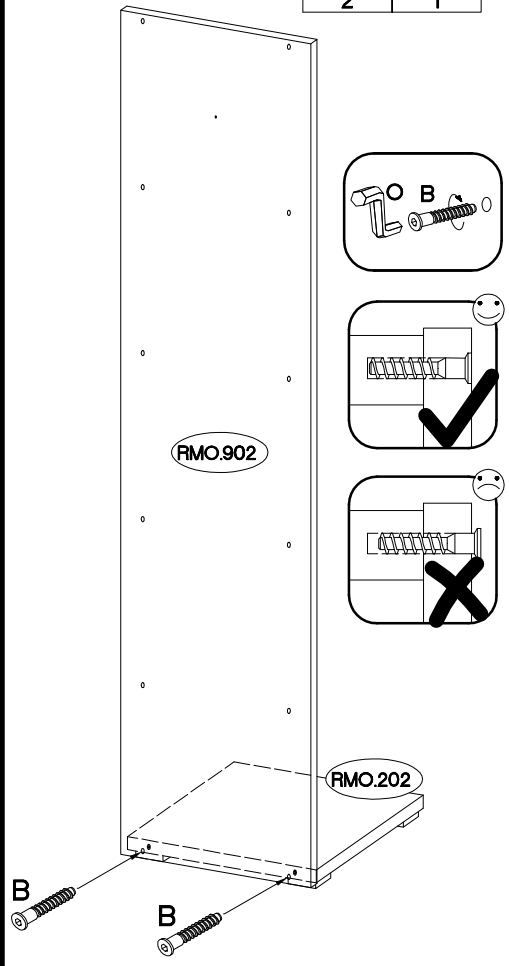
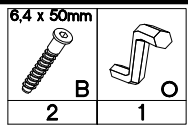
x2



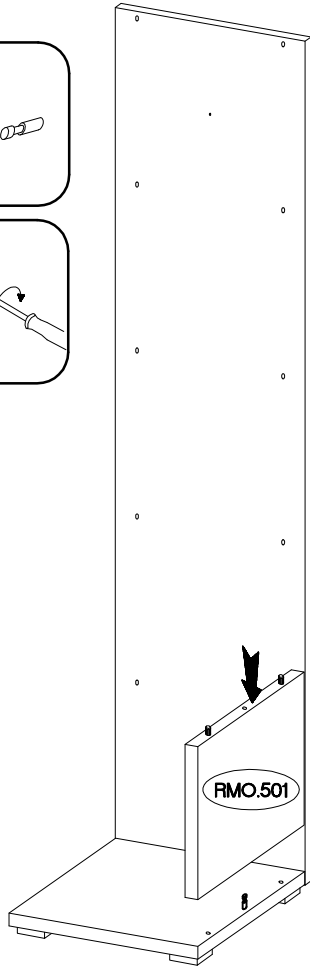
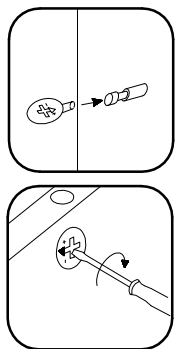
x5



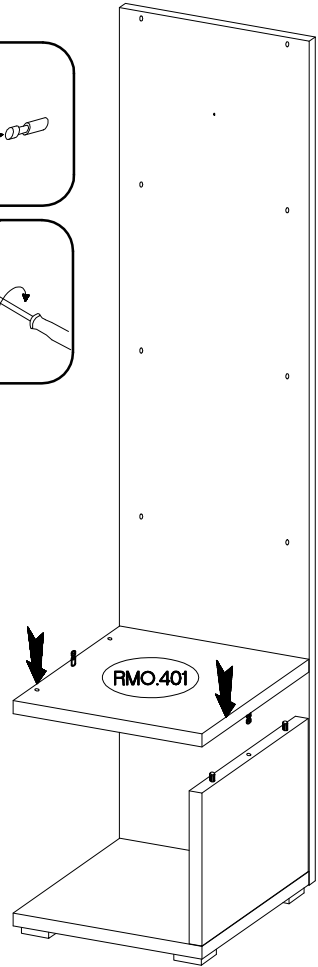
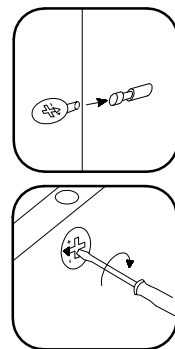
19



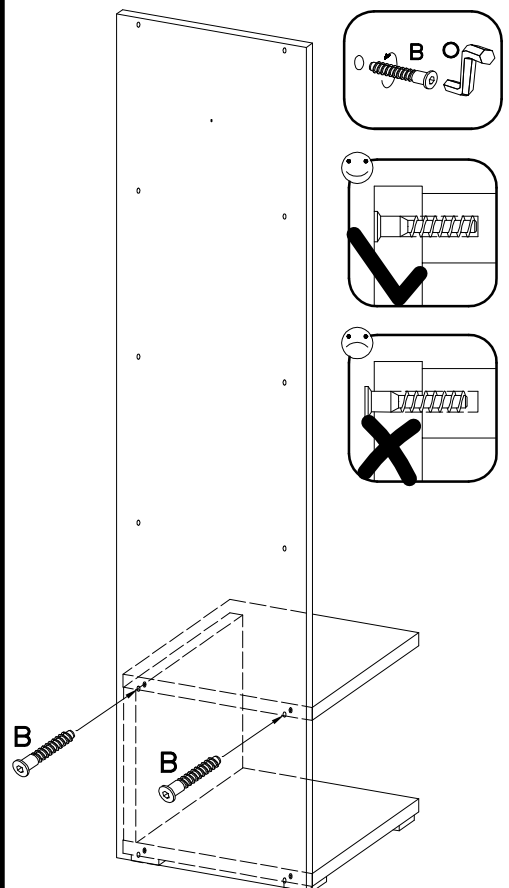
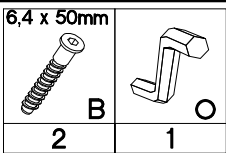
20



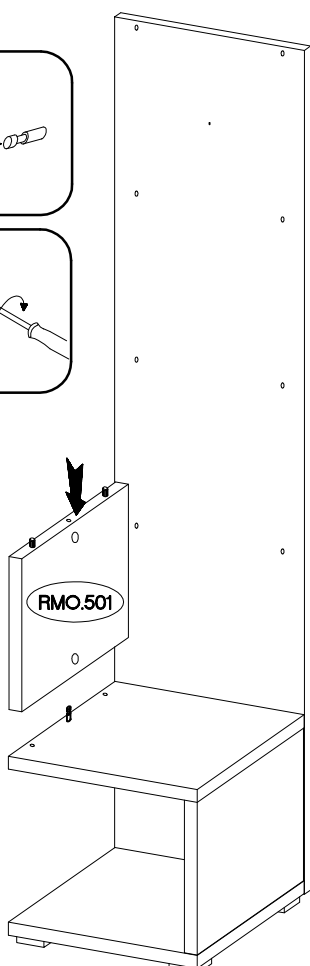
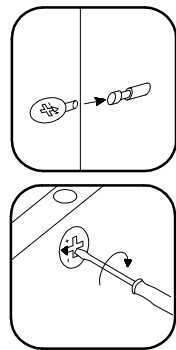
21



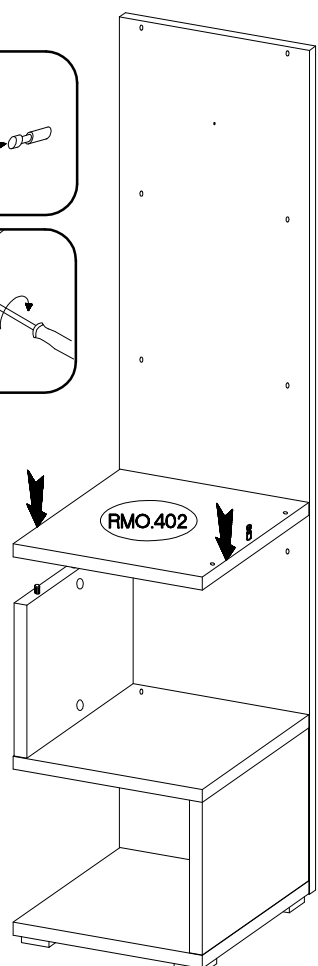
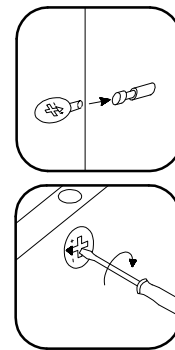
22



23



24



25

6,4 x 50mm



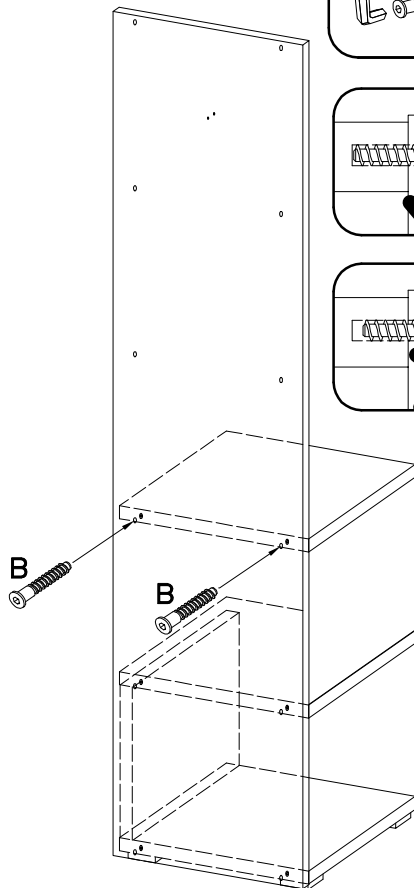
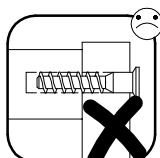
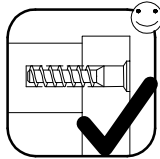
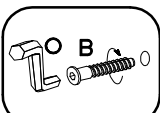
B



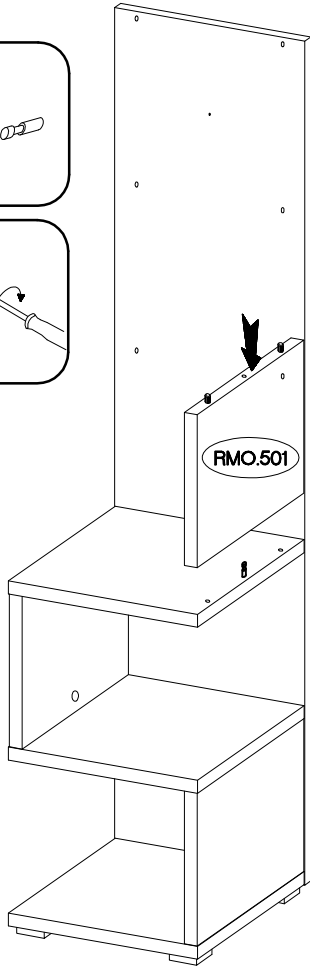
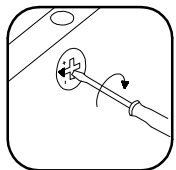
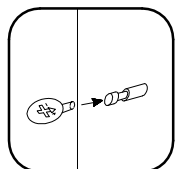
O

2

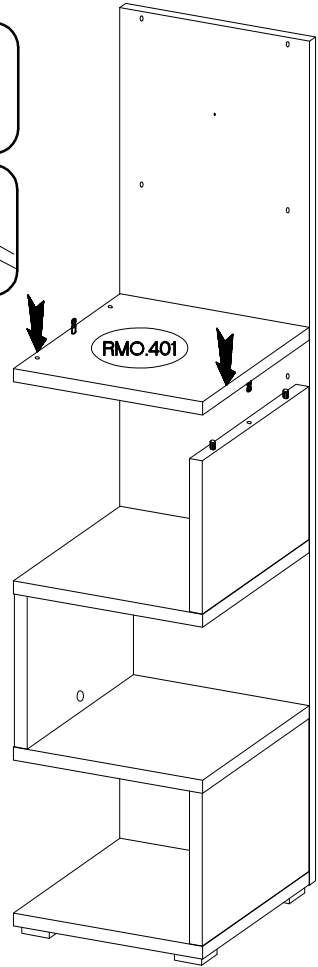
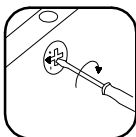
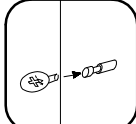
1



26



27



28

6,4 x 50mm



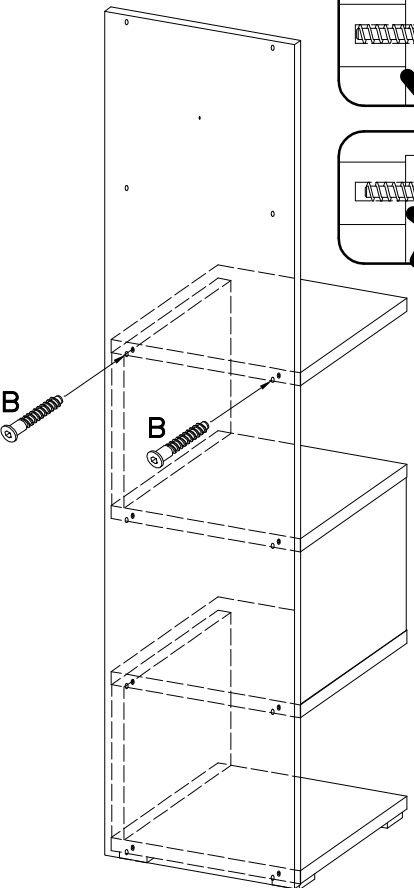
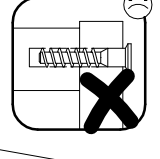
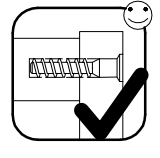
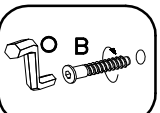
B



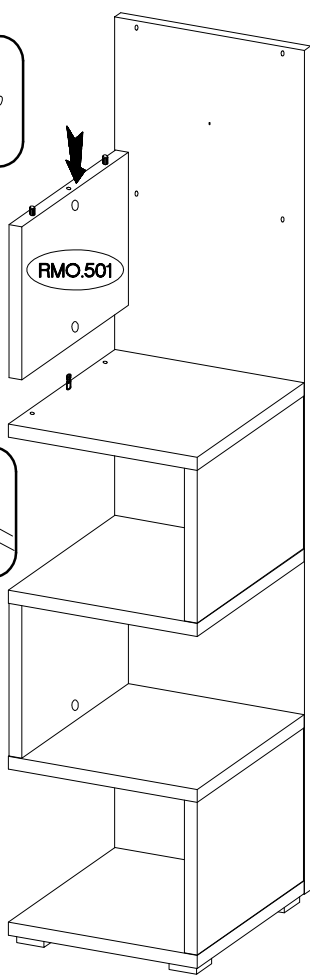
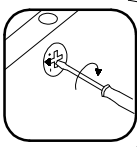
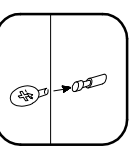
O

2

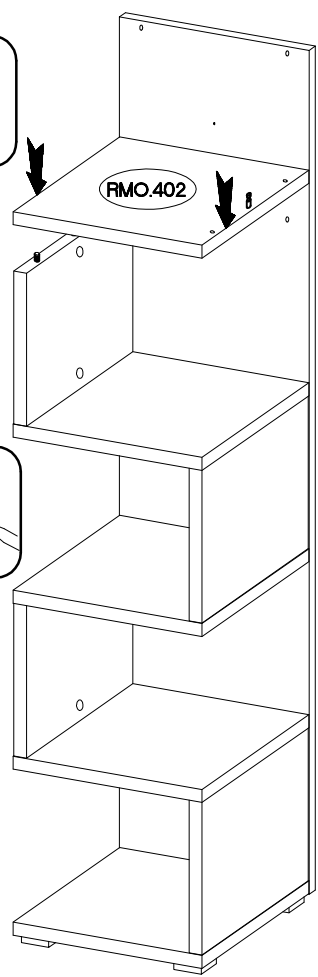
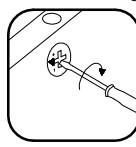
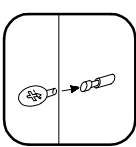
1



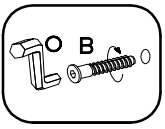
29



30



31

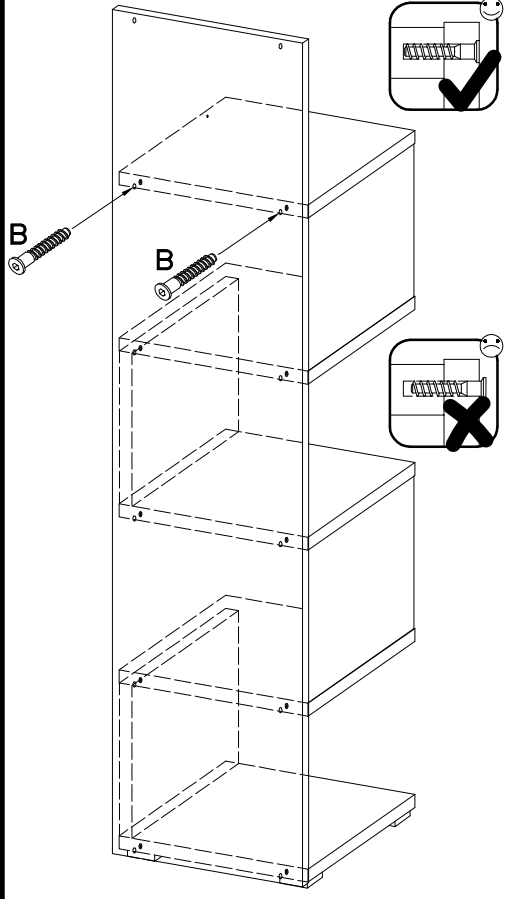


6,4 x 50mm

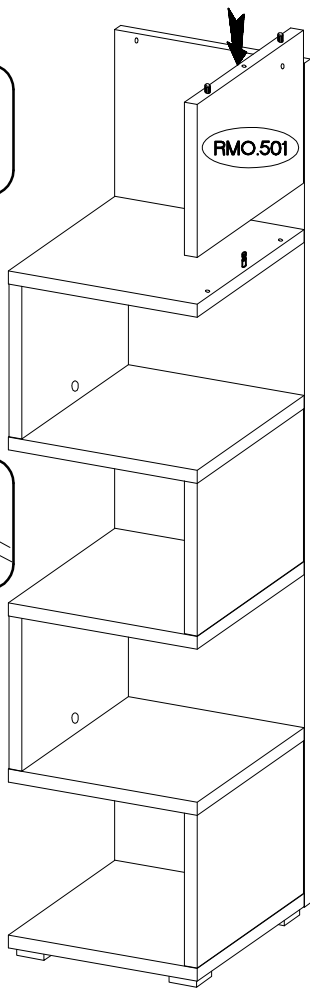
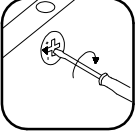
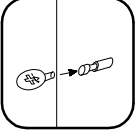


2

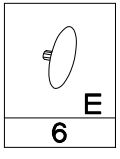
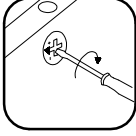
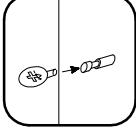
1



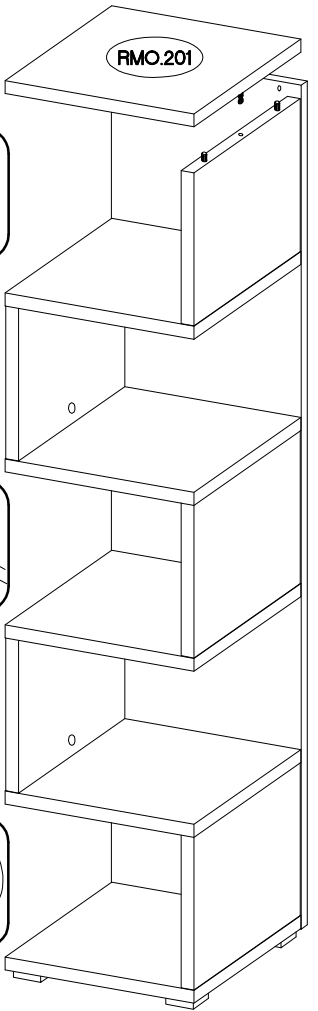
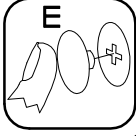
32



33



6



34

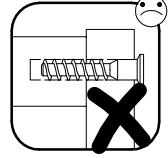
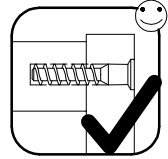
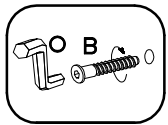
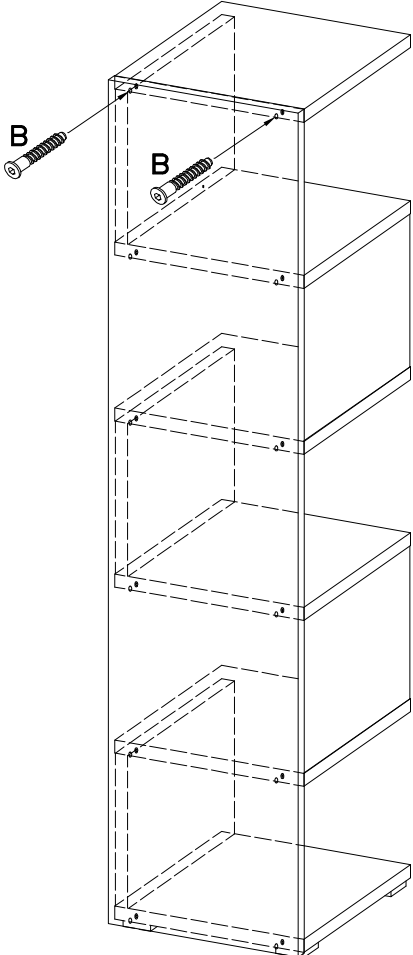
6,4 x 50mm



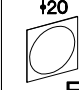


2



1



 #10x50mm O7 1	 #5.0x70mm P29 1	 #20 E11 1
--	--	--

