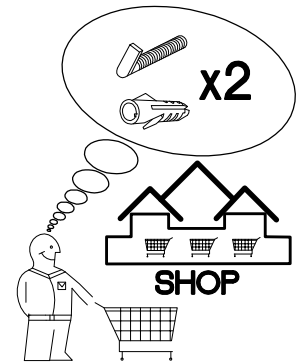
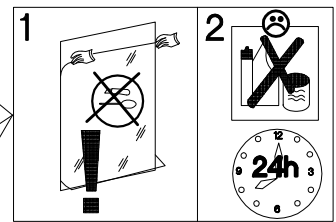
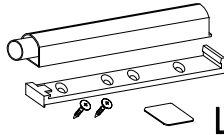
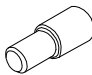


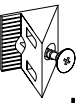

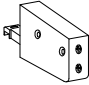

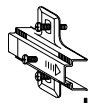
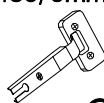




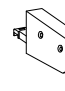
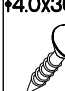



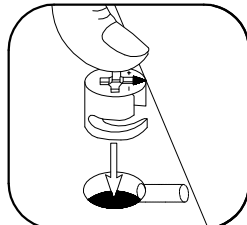
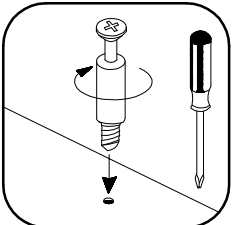
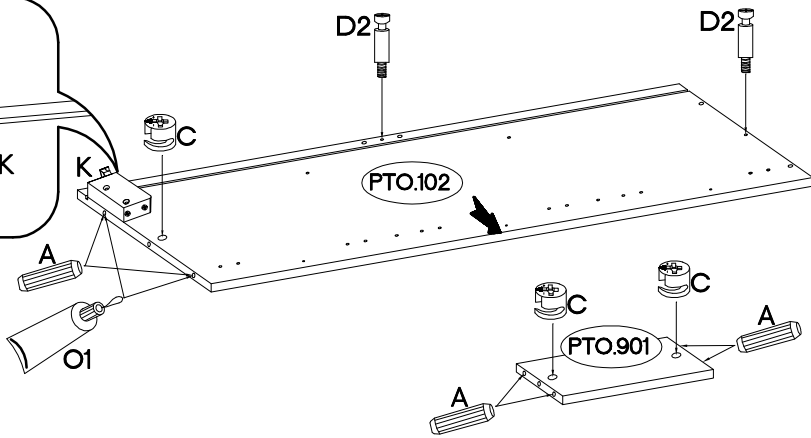
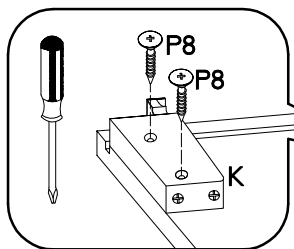
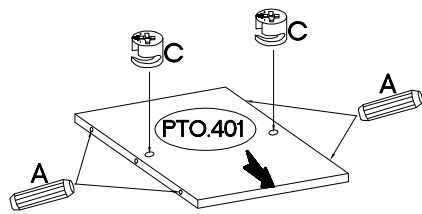
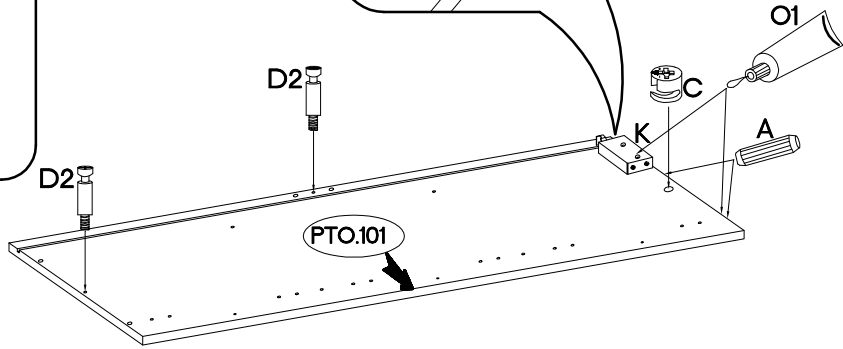
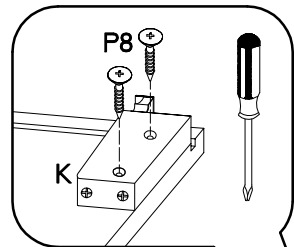
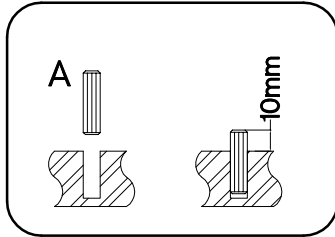
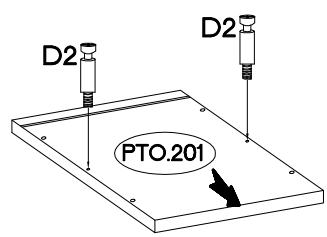
PTO.401, PTO.801 = max. 2kg



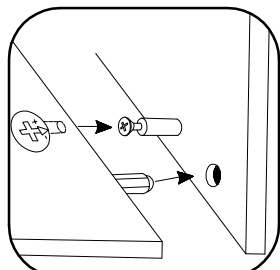
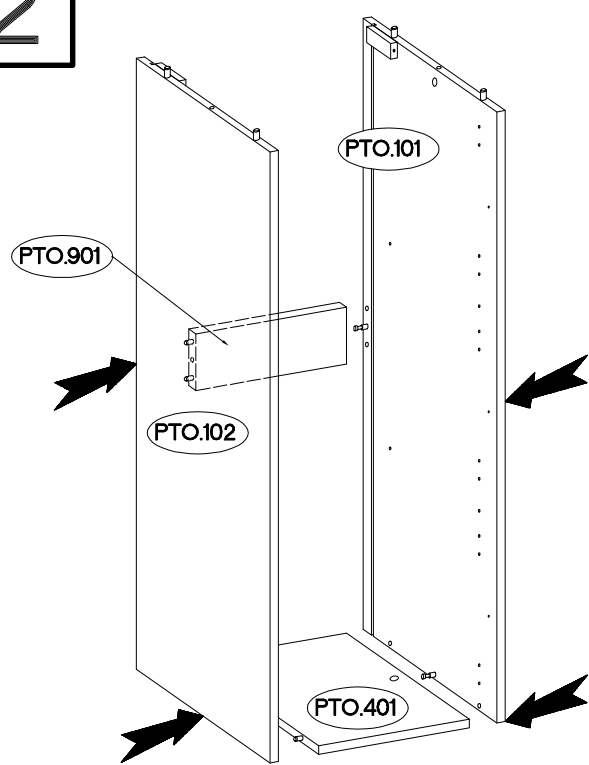
									
					L23	J12	P7	E	
					3	8	3	4	
L=20mm	∅15/12mm	∅8x30mm							
D2	C	A	L	O1	K	P8	H	G	P5
6	6	12	4	1	2	4	6	6	12
						∅4.0x30mm		∅3.0x20mm	∅3.5x13mm

1

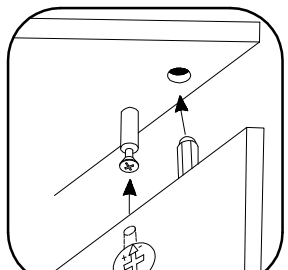
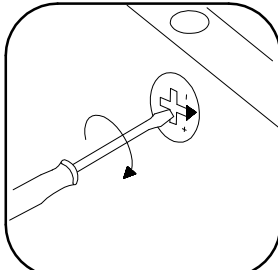
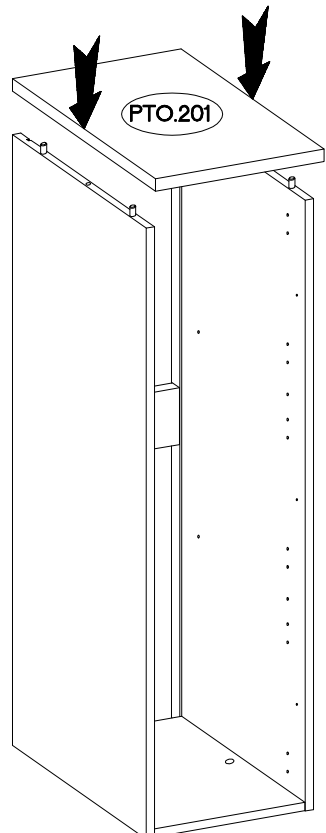
L=20mm	±5/12mm	±8x30mm		±4.0x30mm	
					
D2	C	A	K	P8	O1
6	6	12	2	4	1



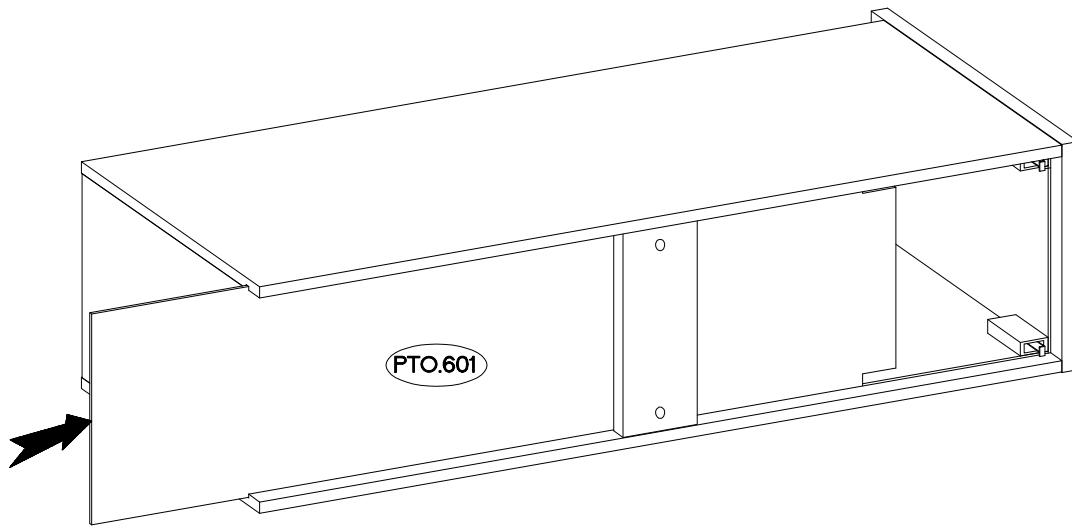
2



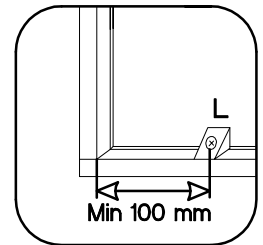
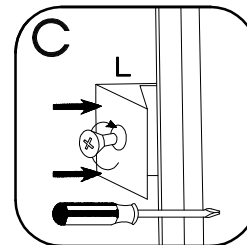
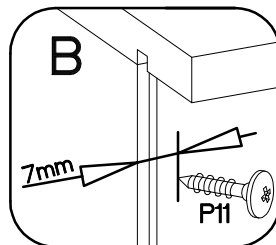
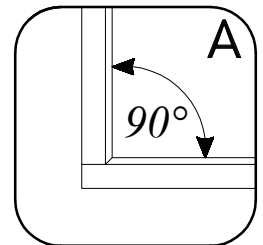
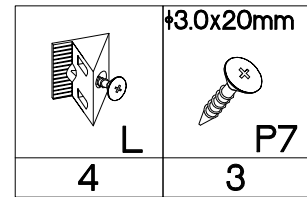
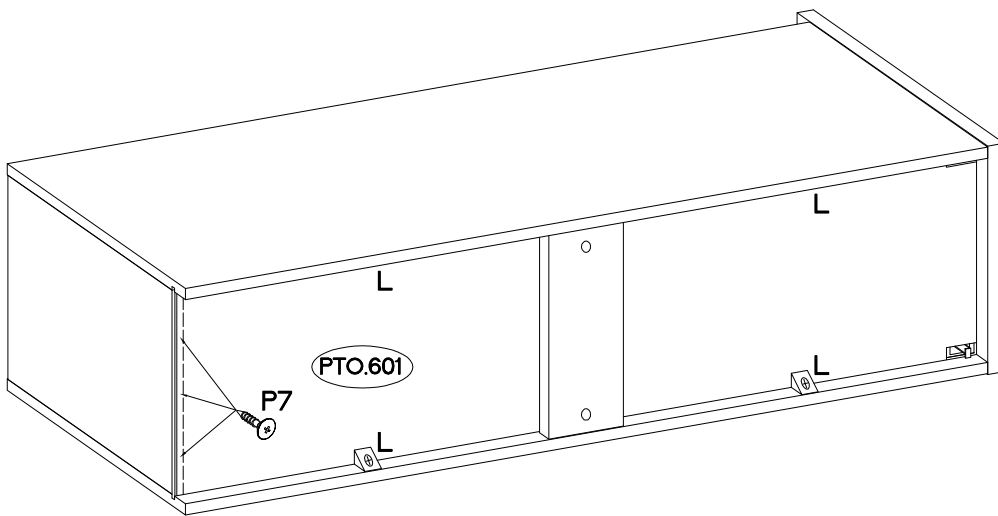
3



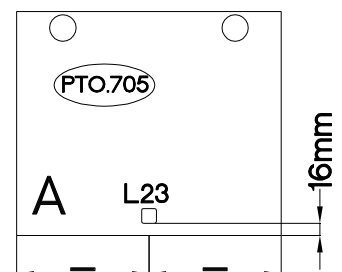
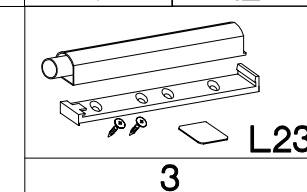
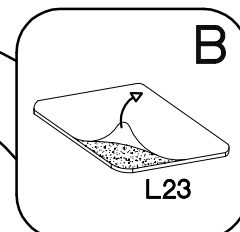
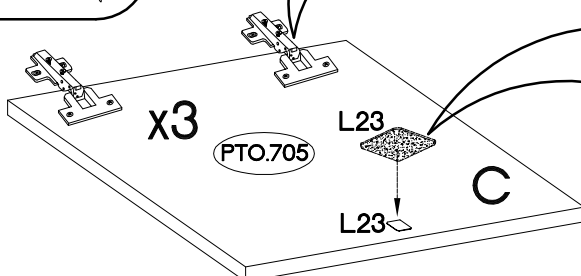
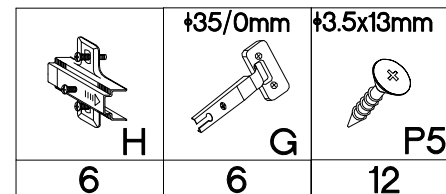
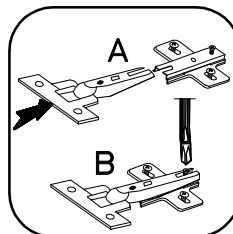
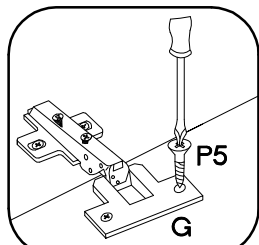
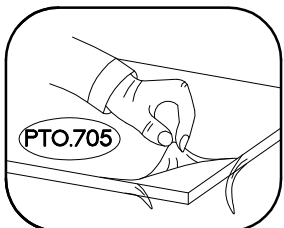
4

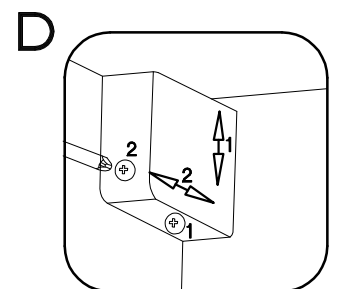
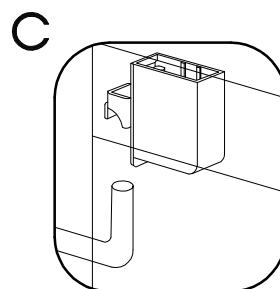
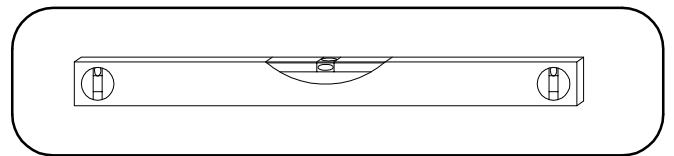
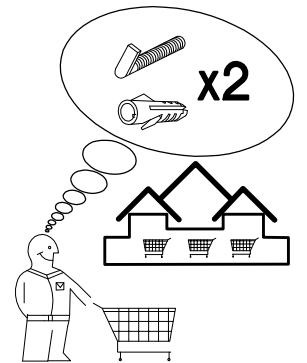
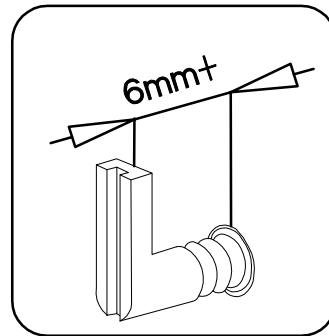
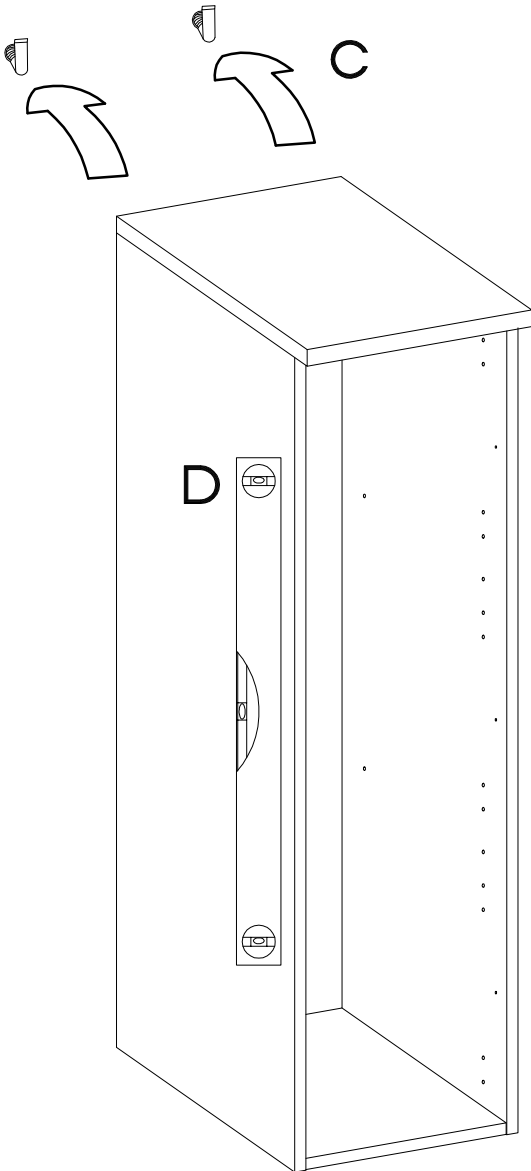
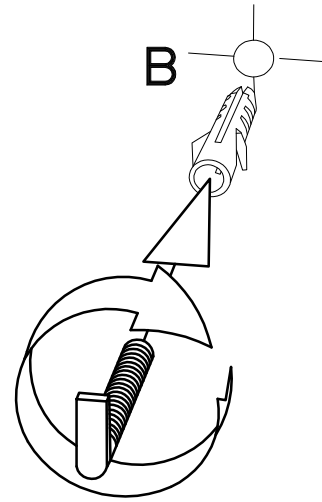
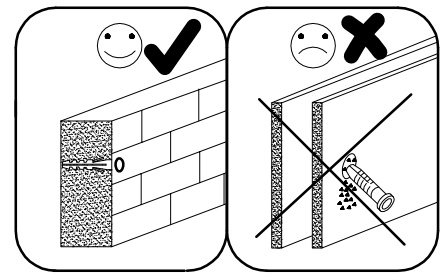
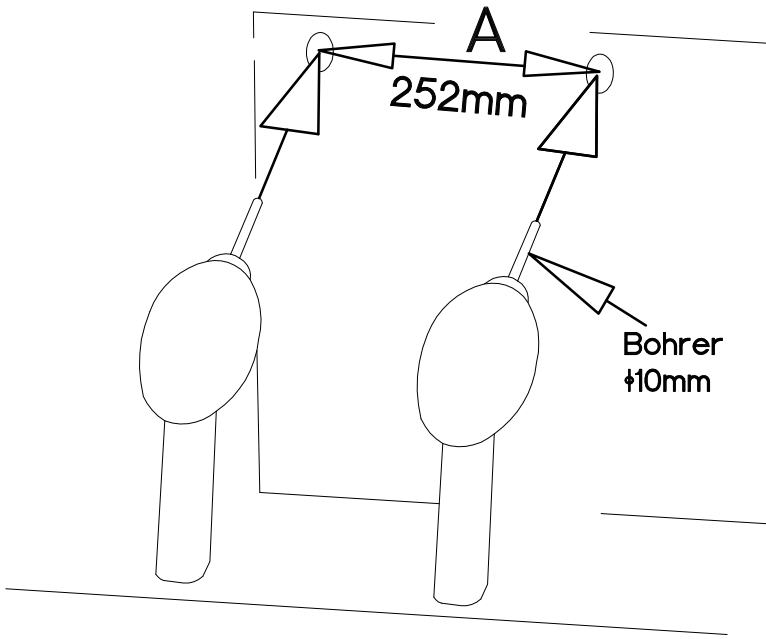


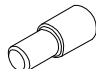

5

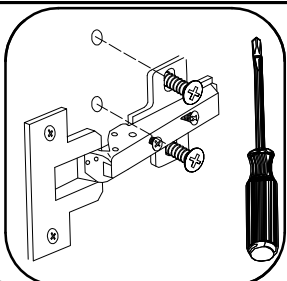



6

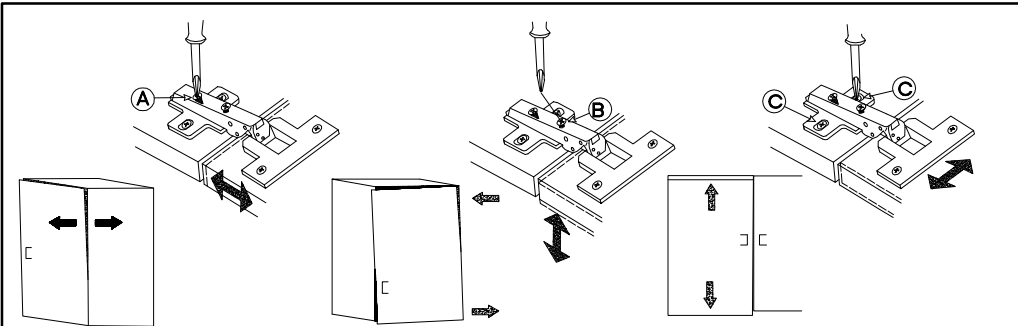
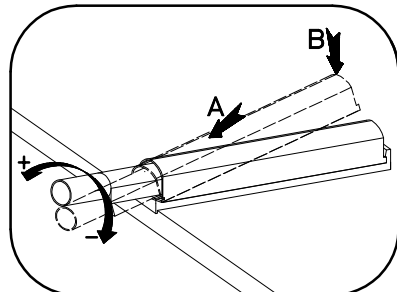
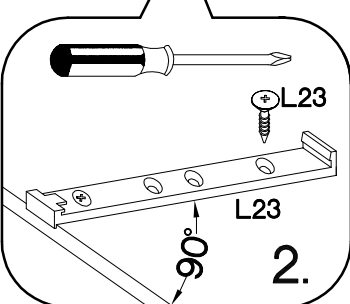
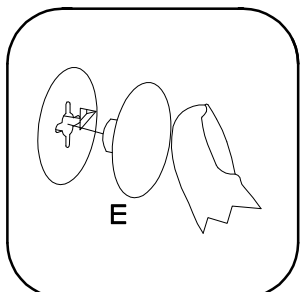
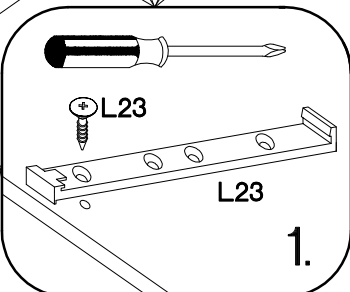
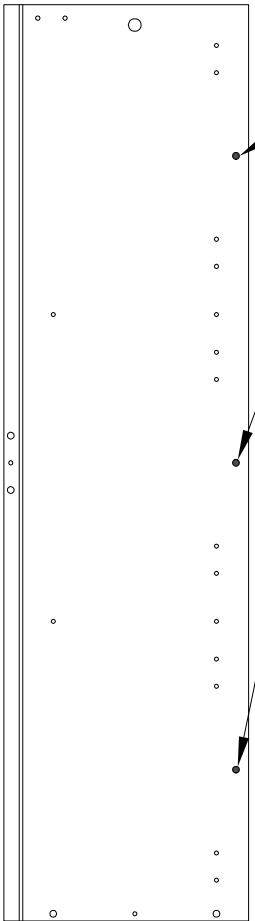
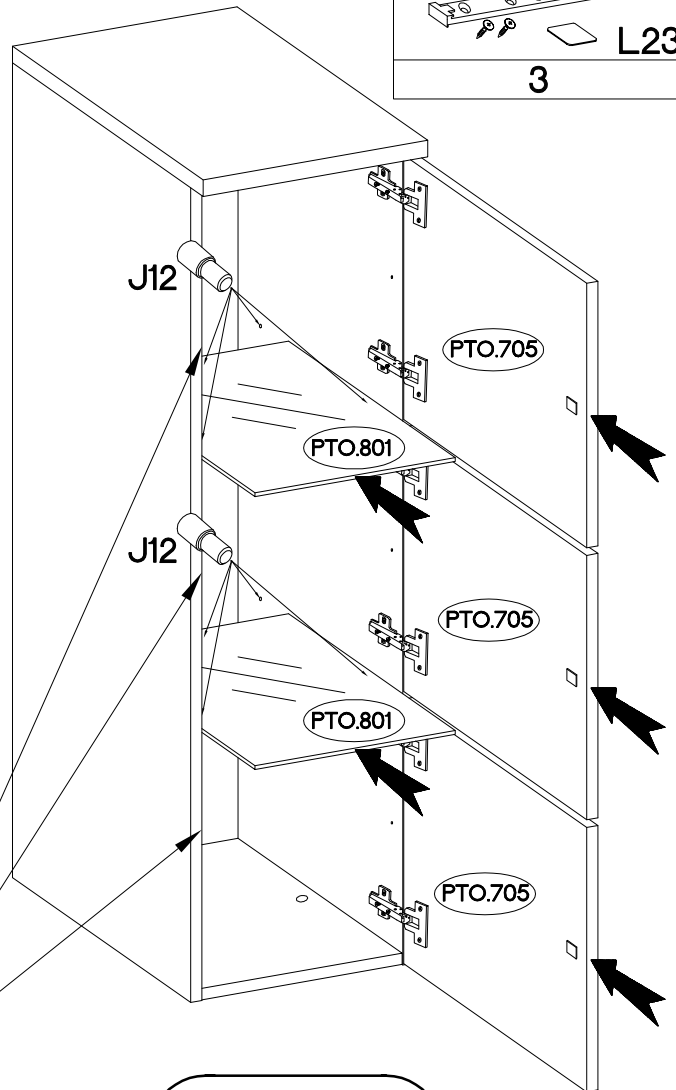
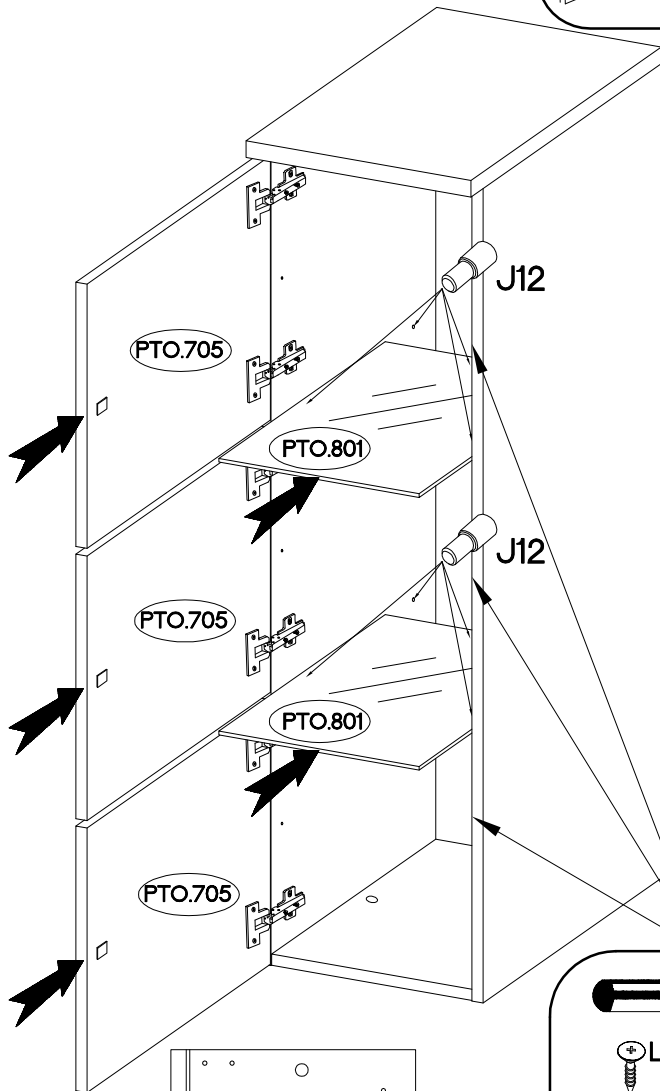


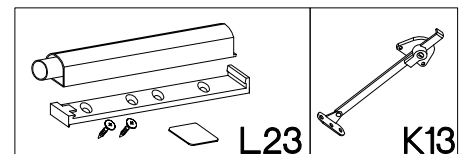
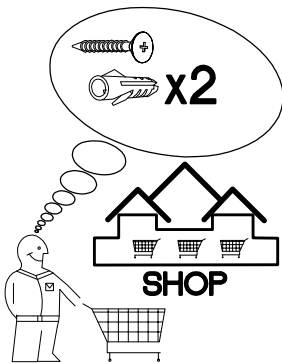
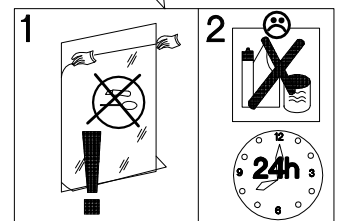
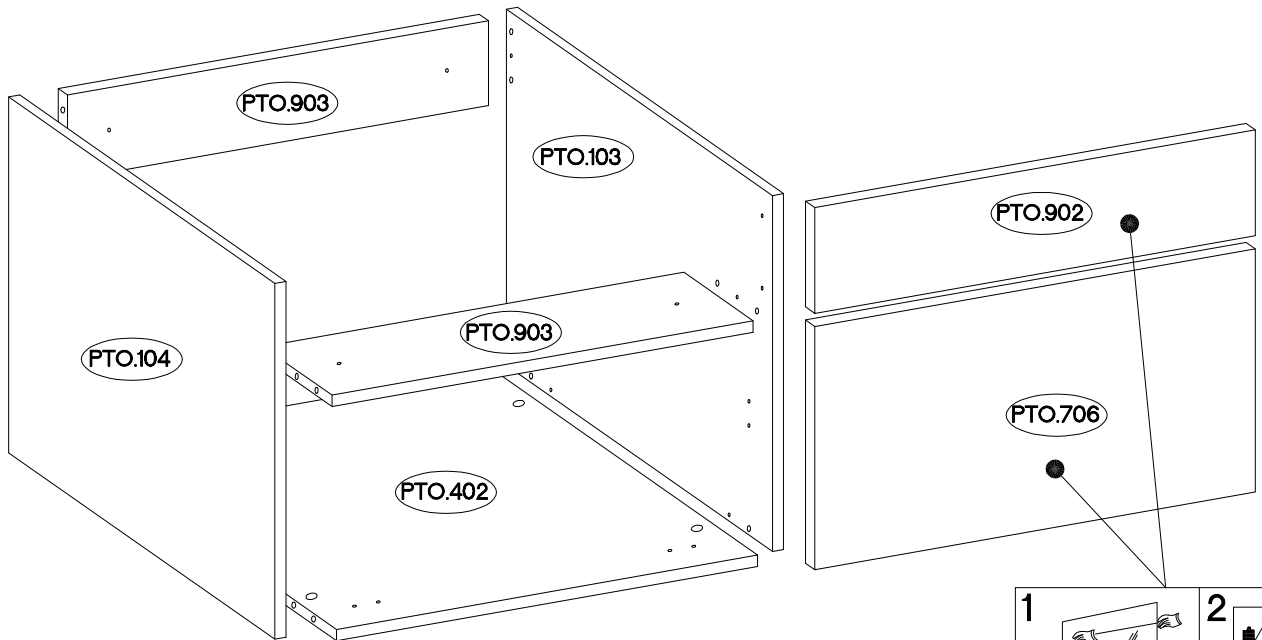
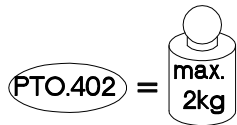
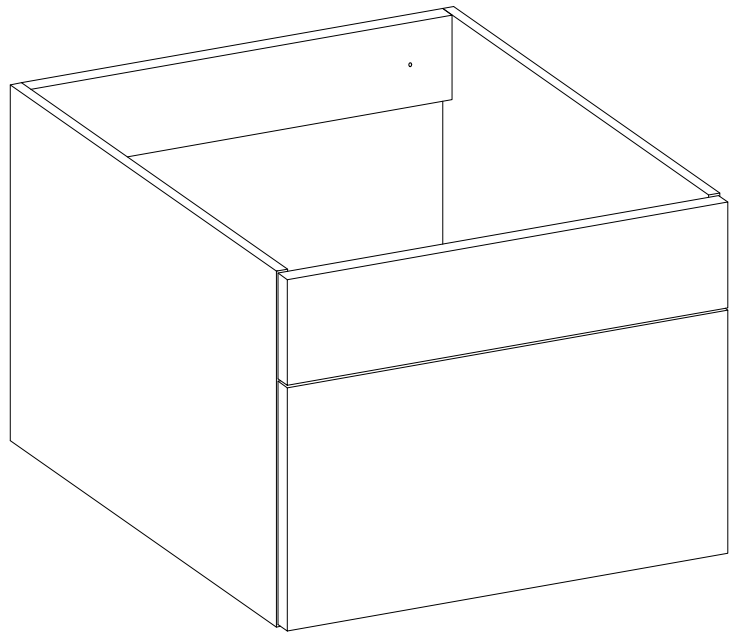


	
J12	E
8	4




L23
3

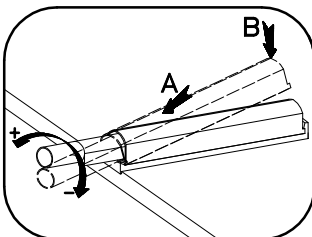
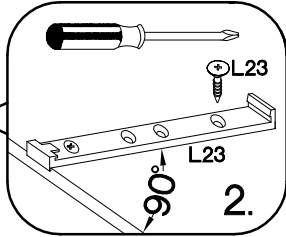
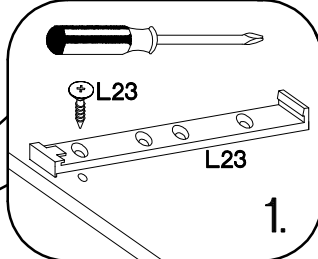
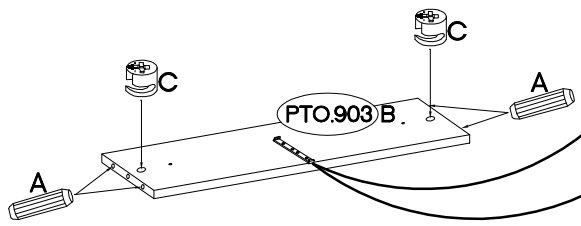
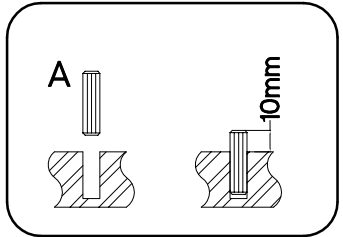
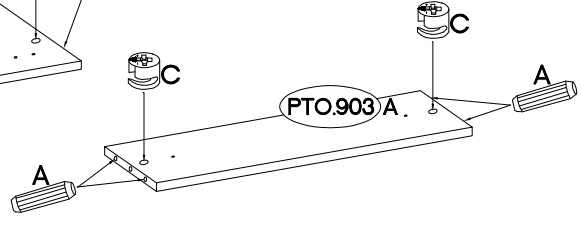
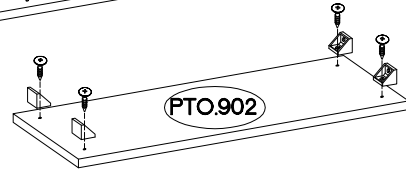
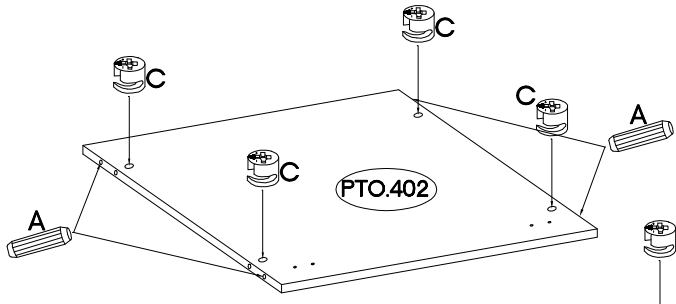
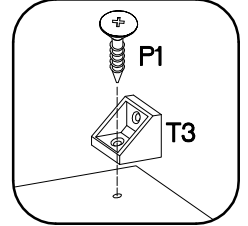
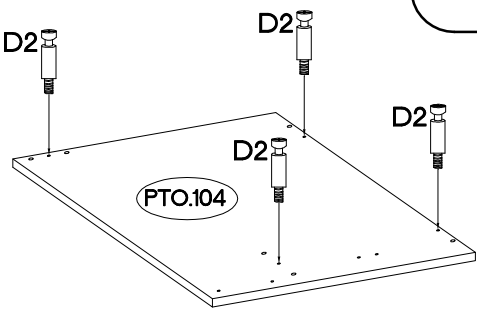
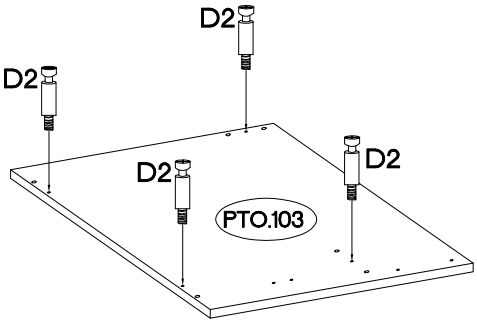
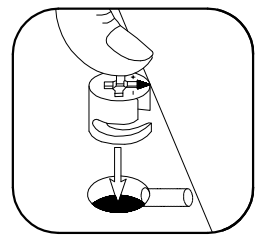
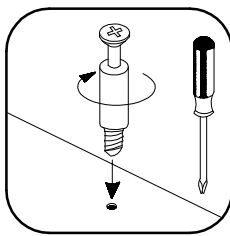




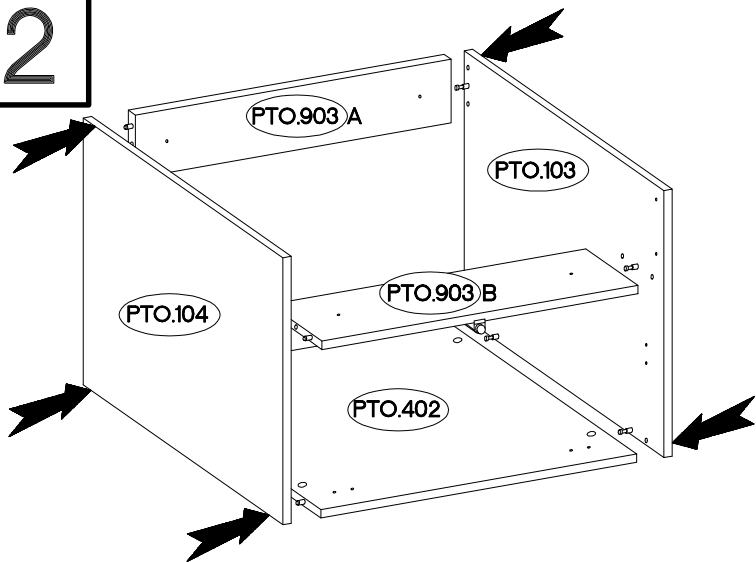
L=20mm D2 8	±15/12mm C 8	±8x30mm A 12	H=0 H 2	±35/0mm G 2	±3.5x13mm P5 7	 E 4	 T3 4	±4.0x16mm P1 8	±3.0x16mm P11 3
-----------------------	------------------------	------------------------	-------------------	-----------------------	--------------------------	------------	-------------	--------------------------	---------------------------

1

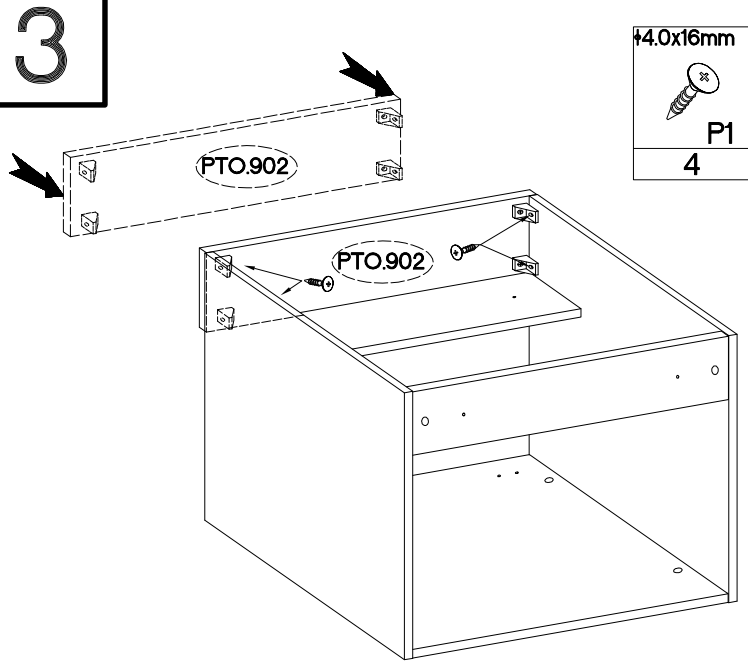
L=20mm	±15/12mm	±8x30mm		±4.0x16mm	
D2	C	A	T3	P1	L23
8	8	12	4	4	1



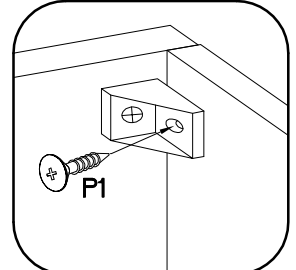
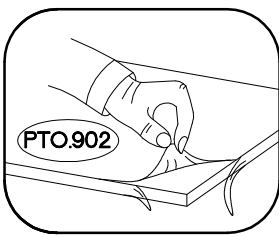
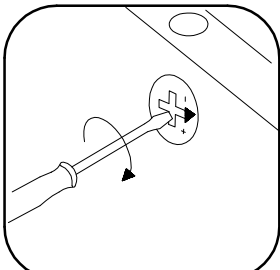
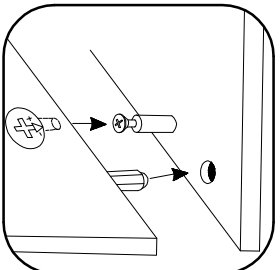
2

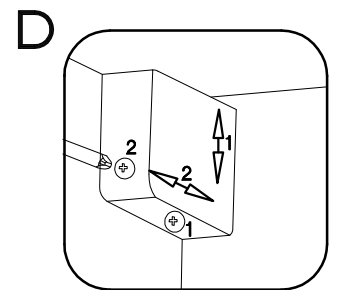
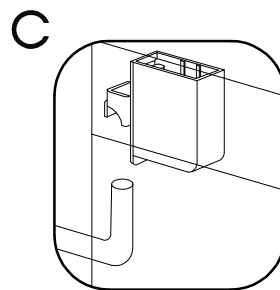
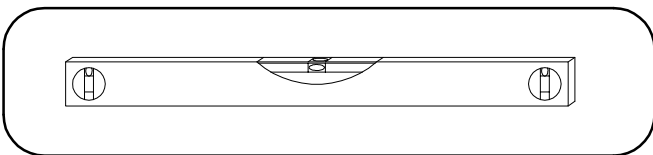
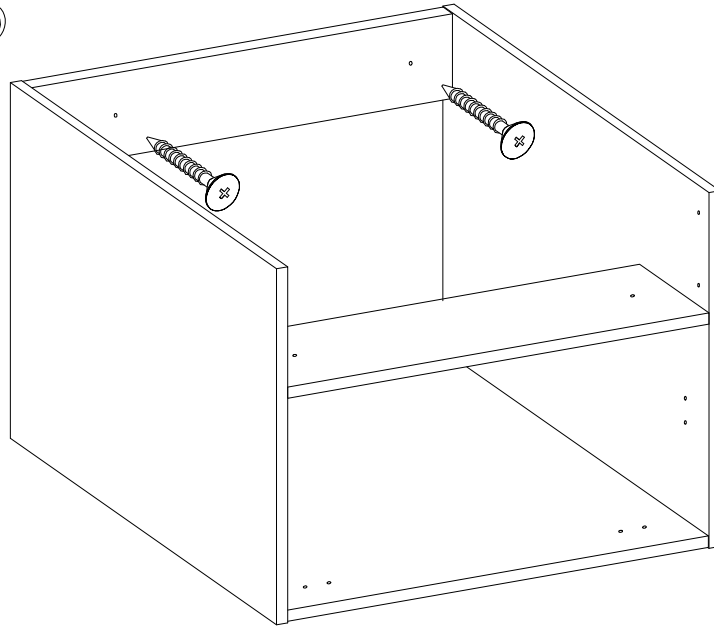
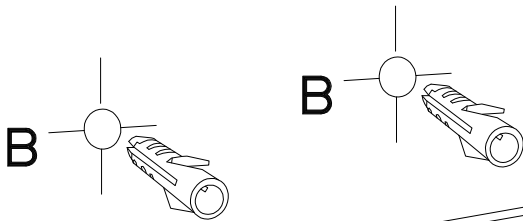
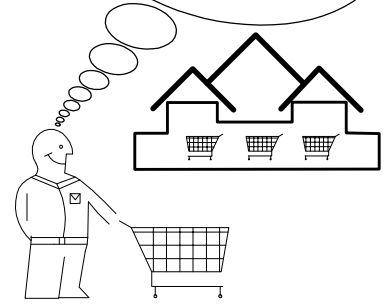
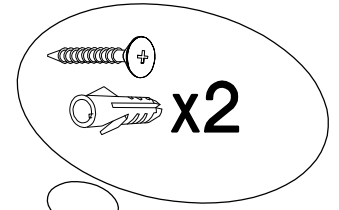
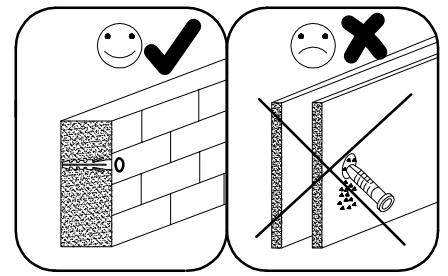
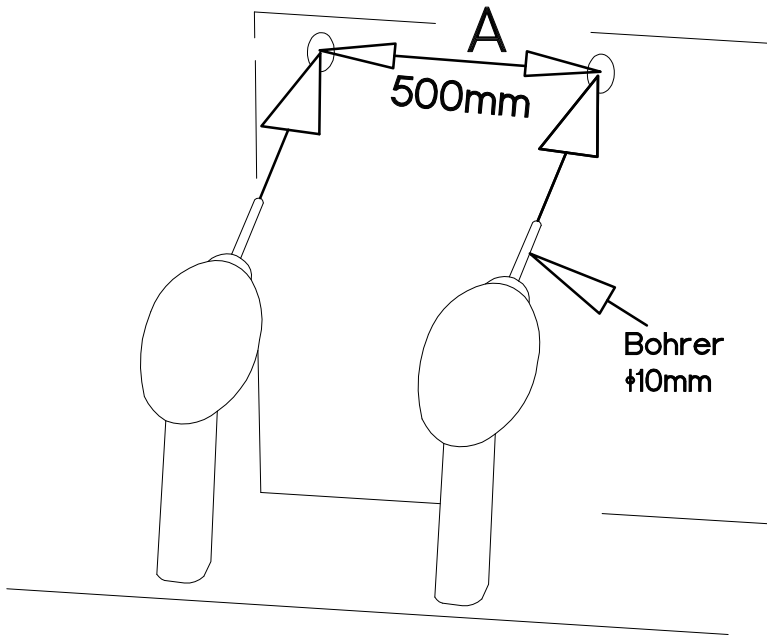


3



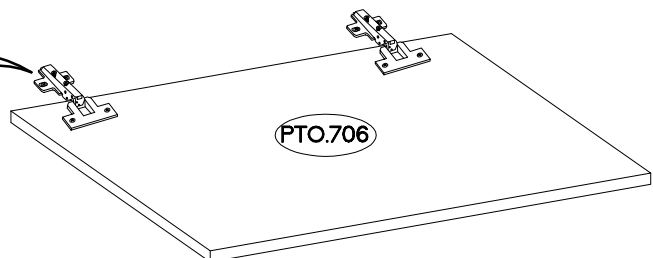
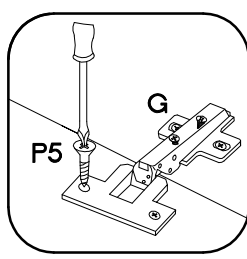
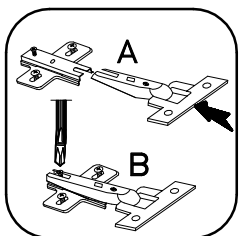
±4.0x16mm
P1
4



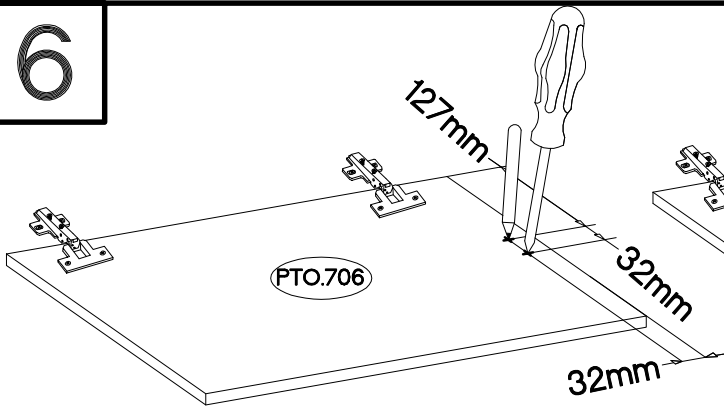


5

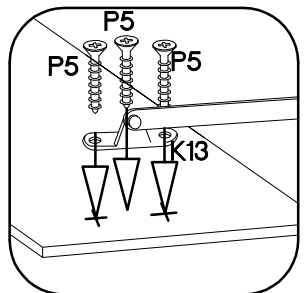
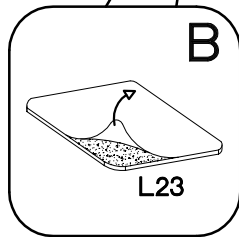
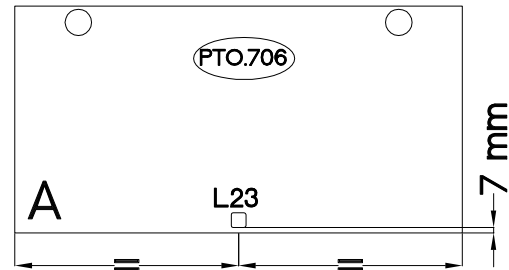
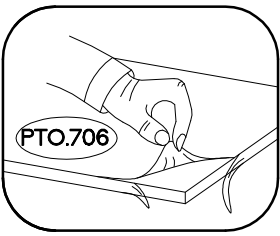
±35/0mm
G
2
±3.5x13mm
H-0
P5
2
4



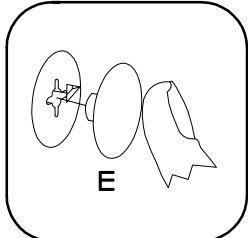
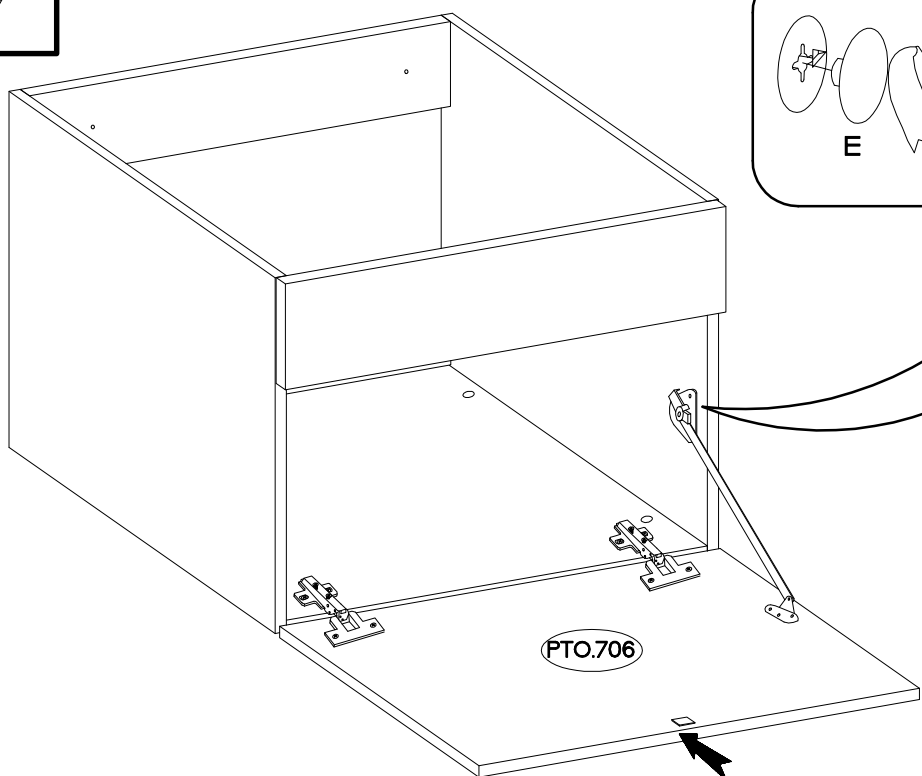
6



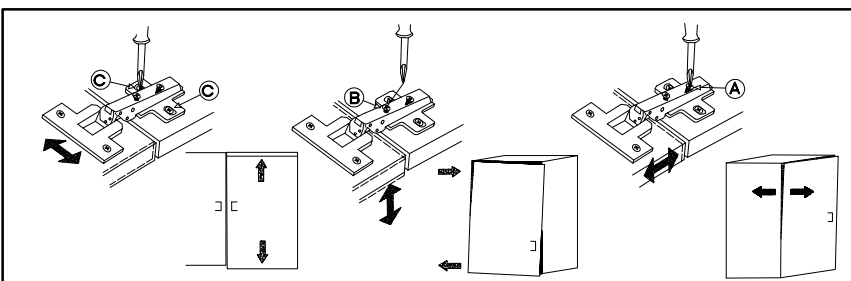
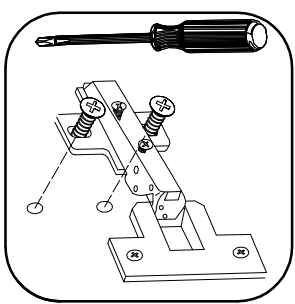
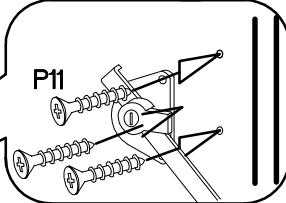
±3.5x13mm
K13
1
P5
3
L23
1

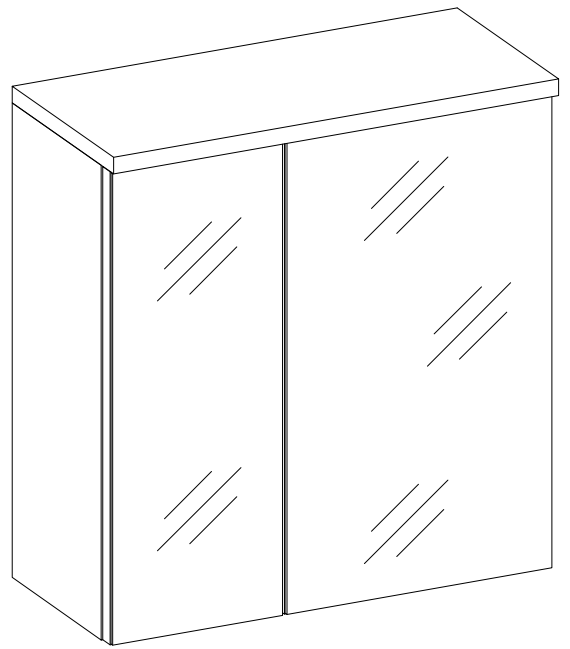



7

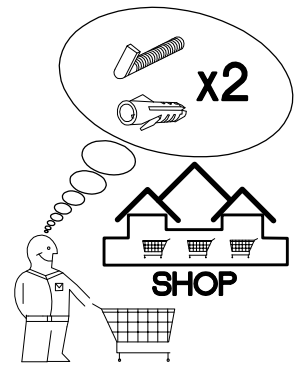
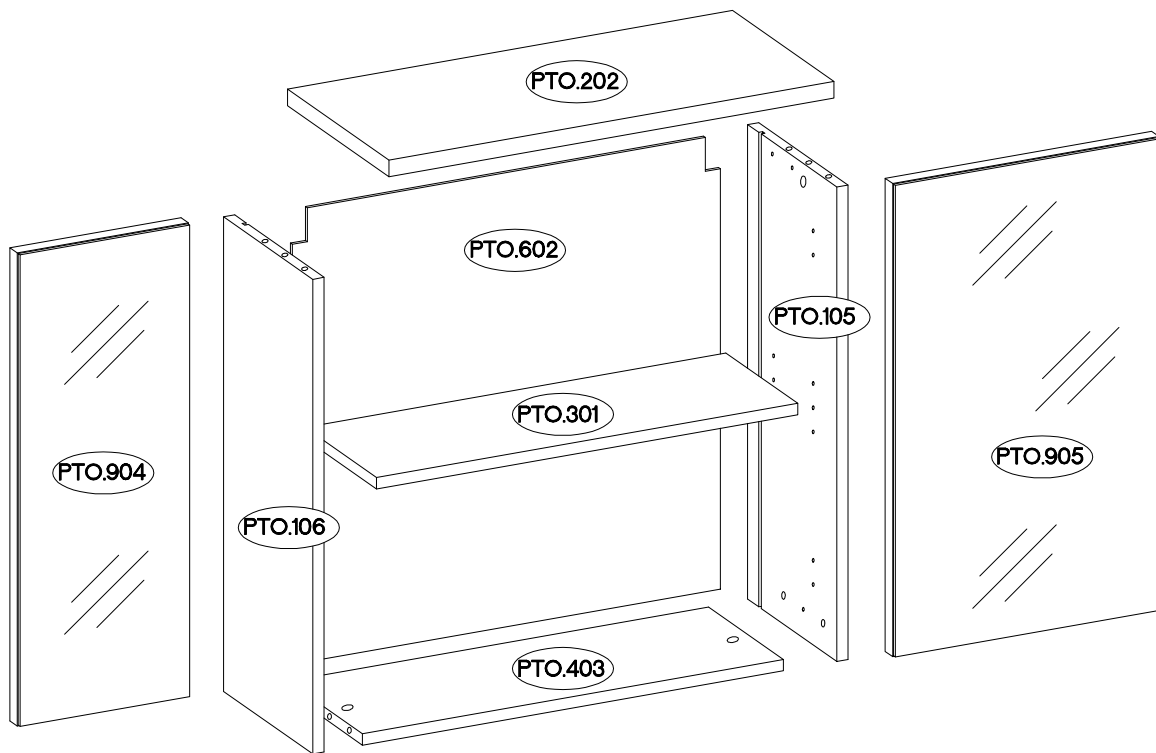


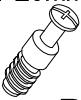

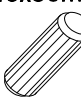
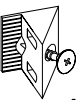

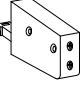

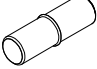


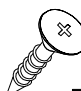
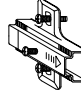
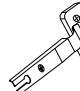

±3.0x16mm
P11
3
E
4



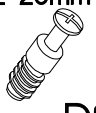

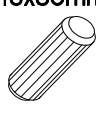
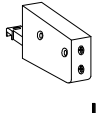
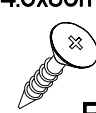



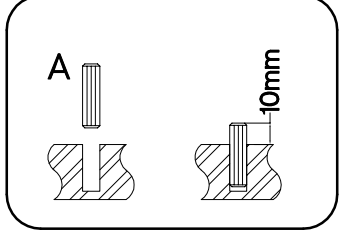
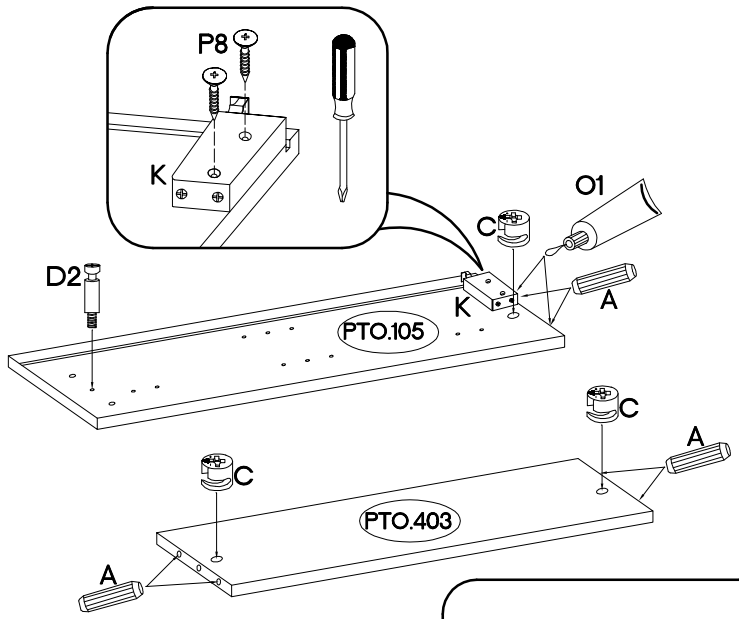
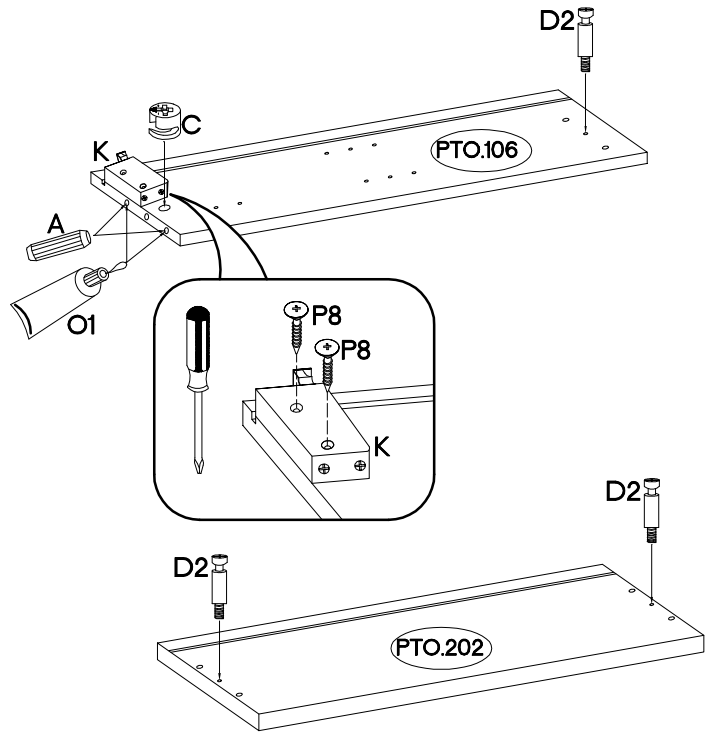
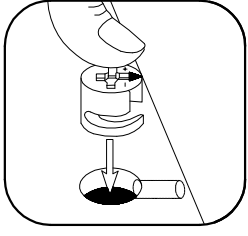
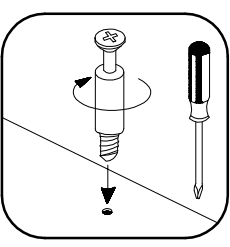
PTO.301 , PTO.403 =  max. 2kg



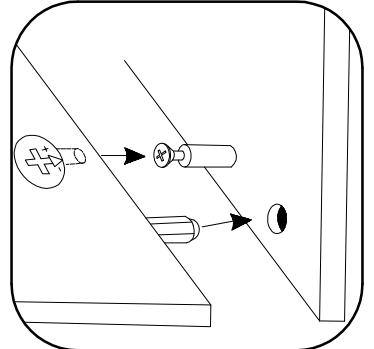
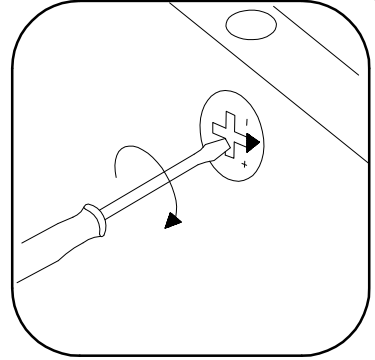
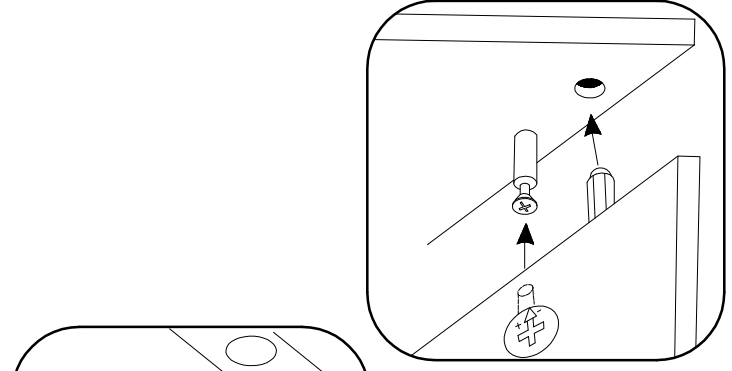
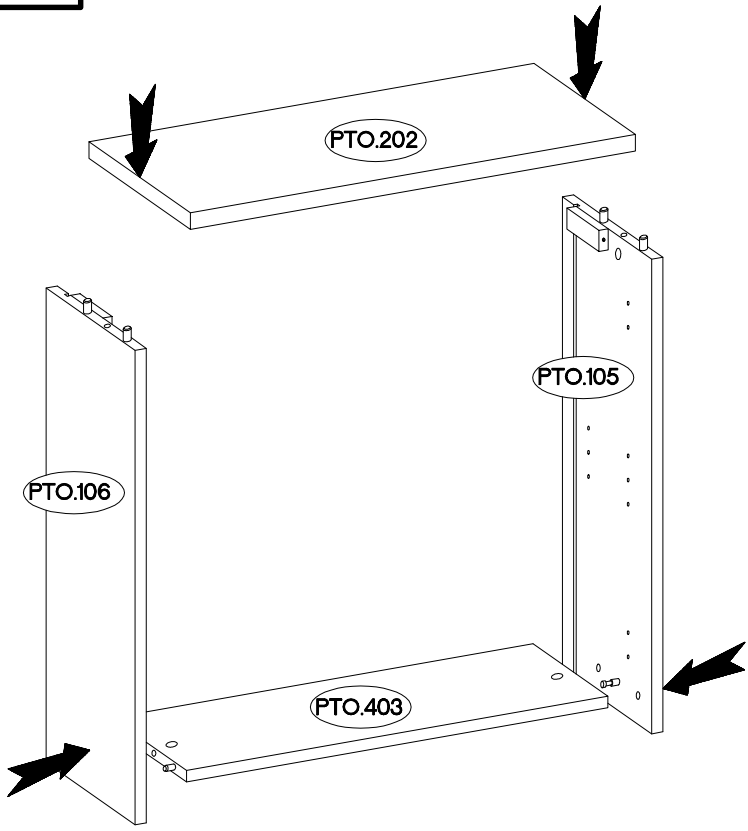
L=20mm		†15/12mm	†8x30mm			†7/2mm	†5/16mm	†3.0x20mm	
									
D2	C	A	L	O1	K	J5	J3	P7	E
4	4	8	5	1	2	2	4	4	4
						†4.0x30mm		†35/0mm	†3.5x13mm
									
						P8	H	G	P5
						4	4	4	8

1

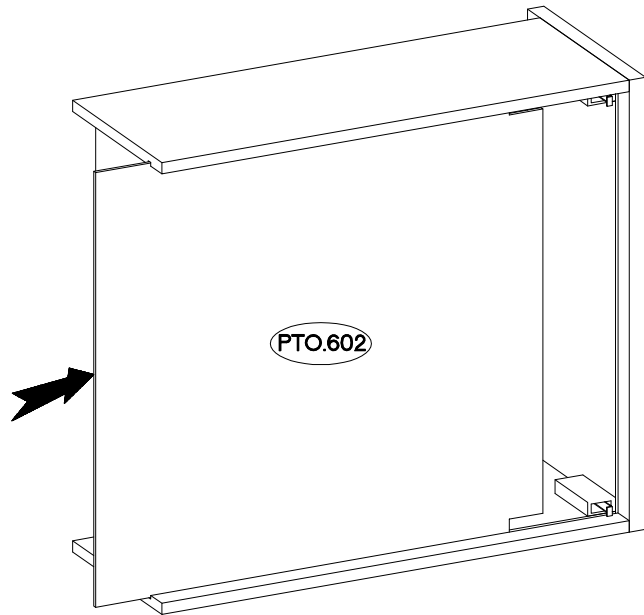
L=20mm  D2 4	±15/12mm  C 4	±8x30mm  A 8	 K 2	±4.0x30mm  P8 4	 O1 1
---	--	---	--	--	---



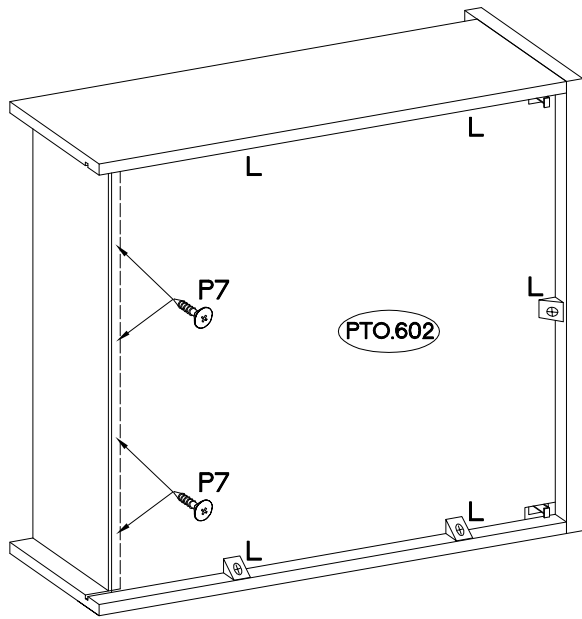
2

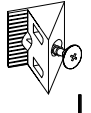



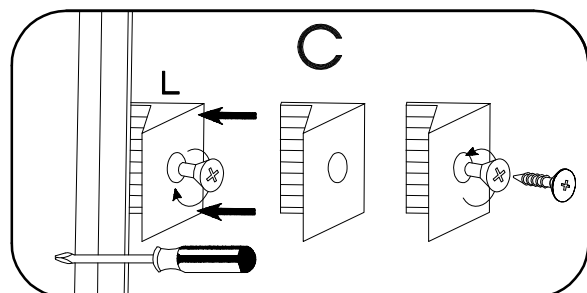
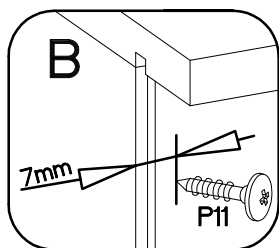
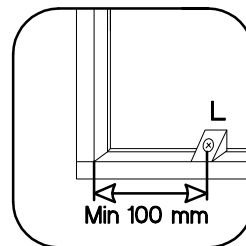
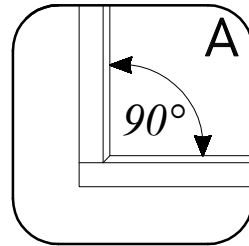
3



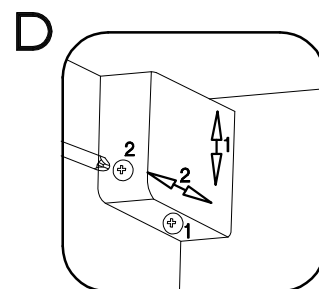
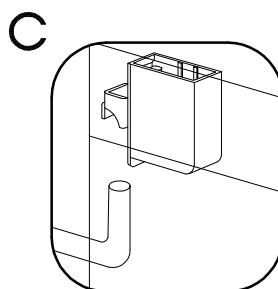
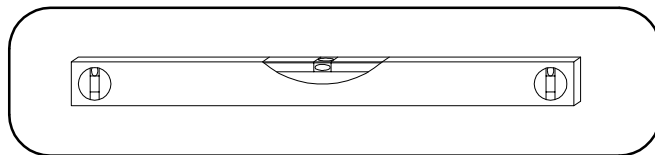
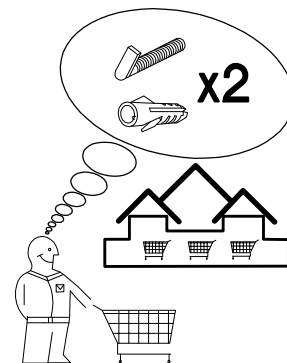
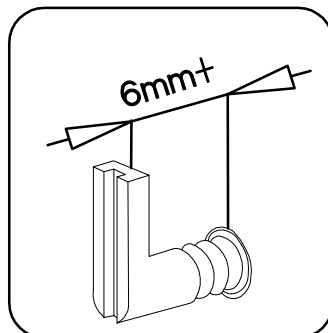
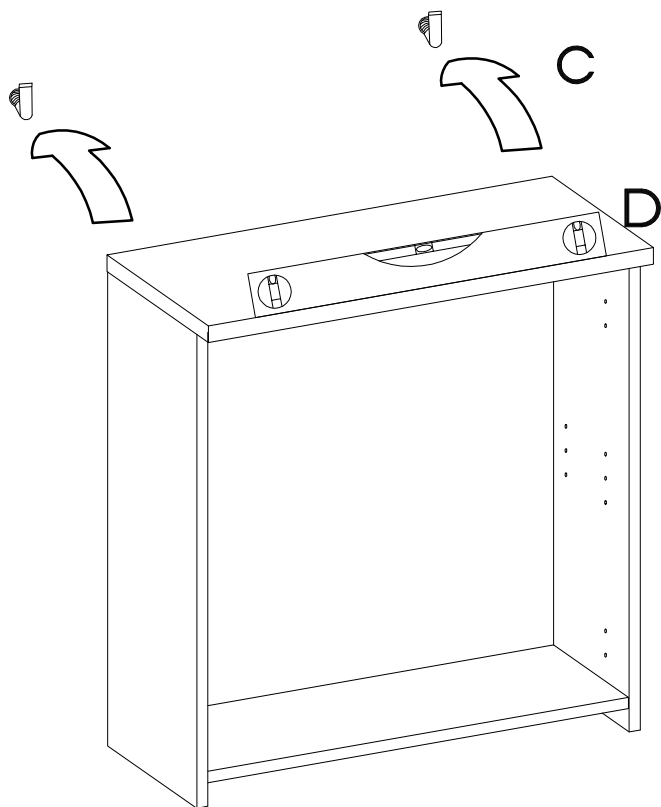
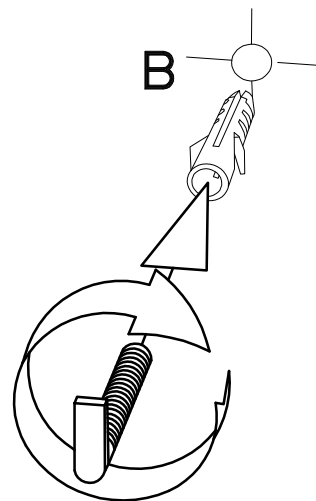
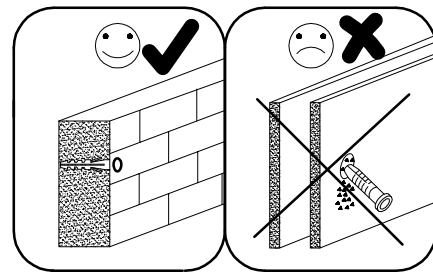
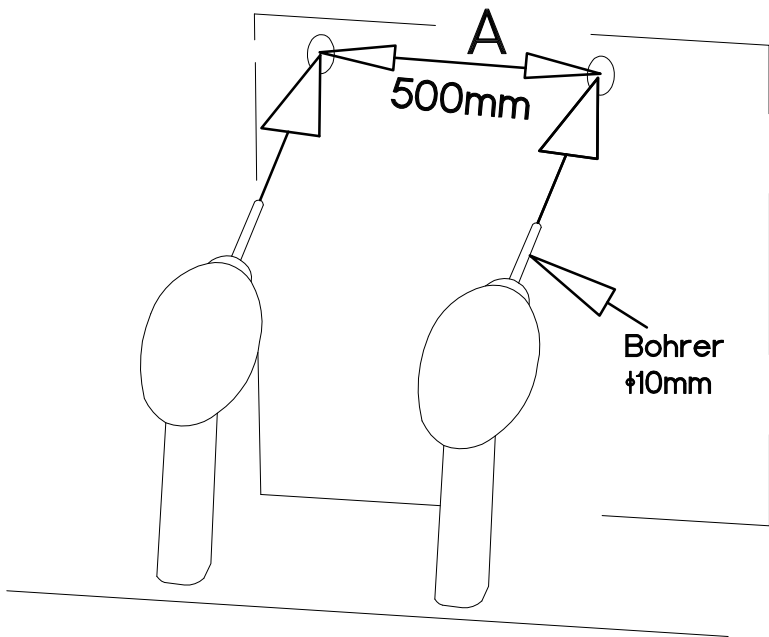
4



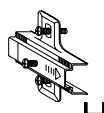
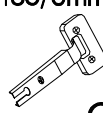

	$\pm 3.0 \times 20 \text{mm}$
5	
	4

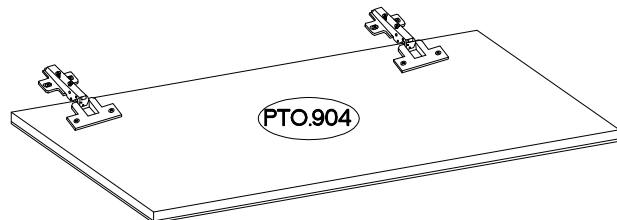
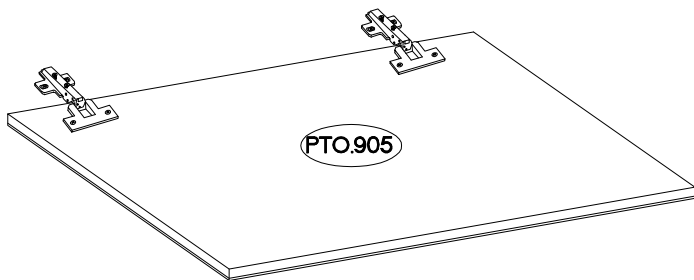
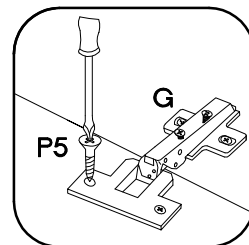
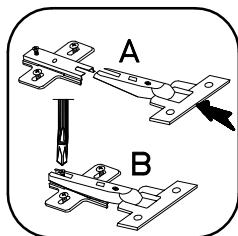


5

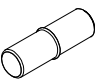

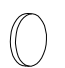


6

 H 4	$\pm 35/0\text{mm}$  G 4	$\pm 3.5 \times 13\text{mm}$  P5 8
--	---	---



7

$\pm 5/16\text{mm}$  J3 4	 E 4
$\pm 7/2\text{mm}$  J5 2	

