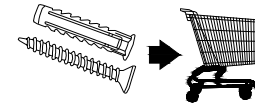
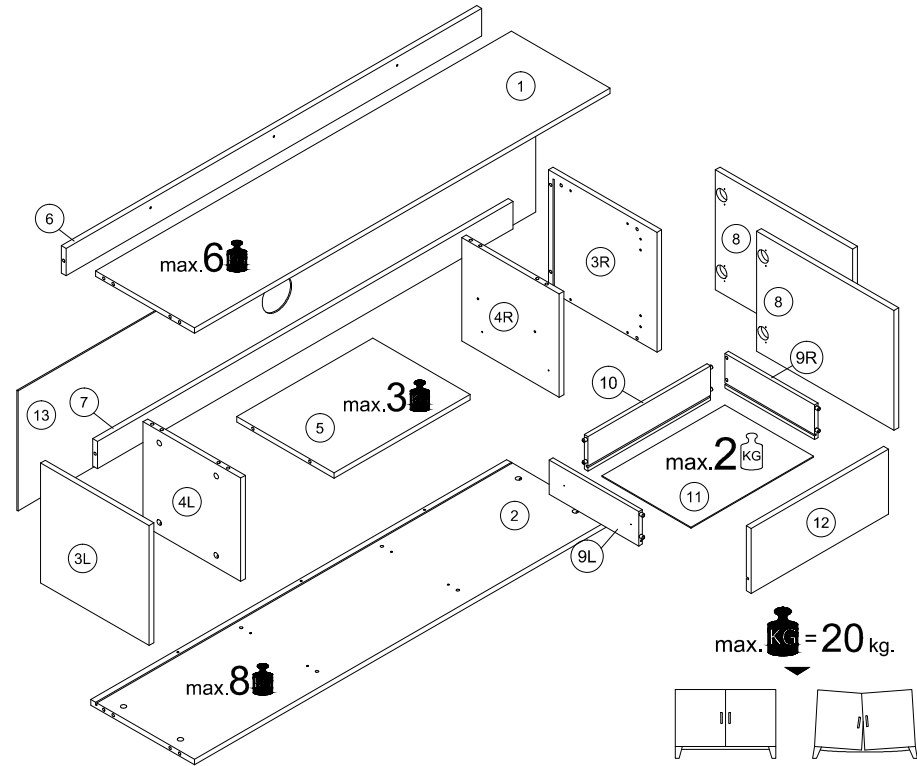
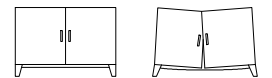


1.5 H

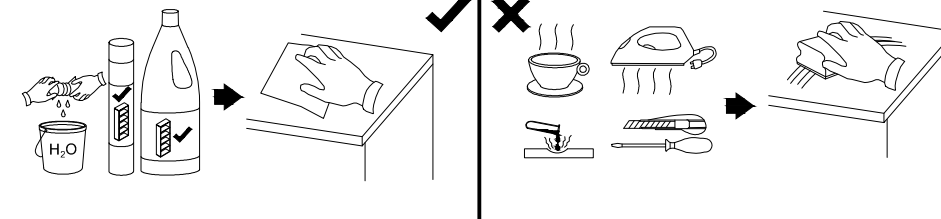
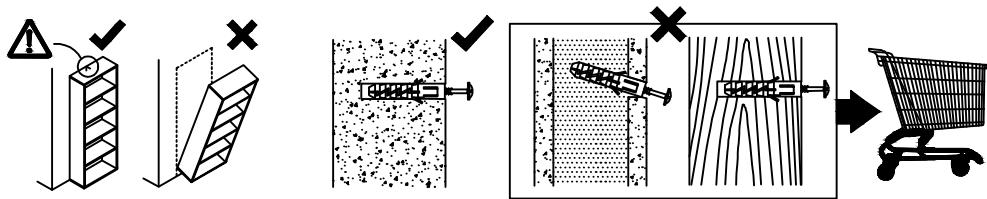
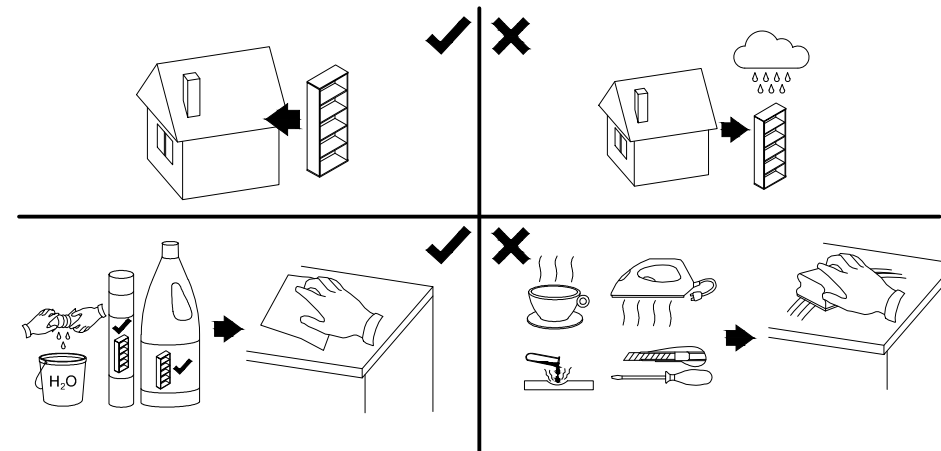
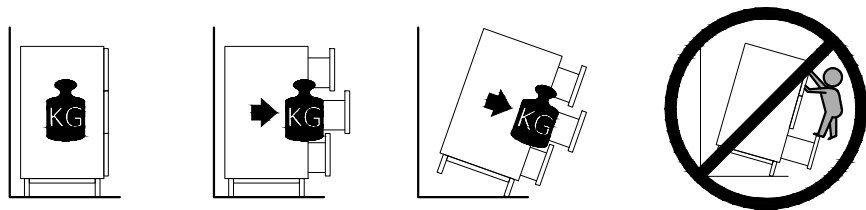


max. **20** kg.

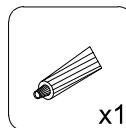
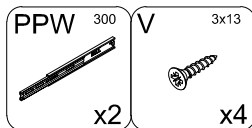
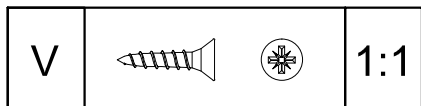
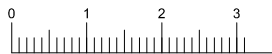
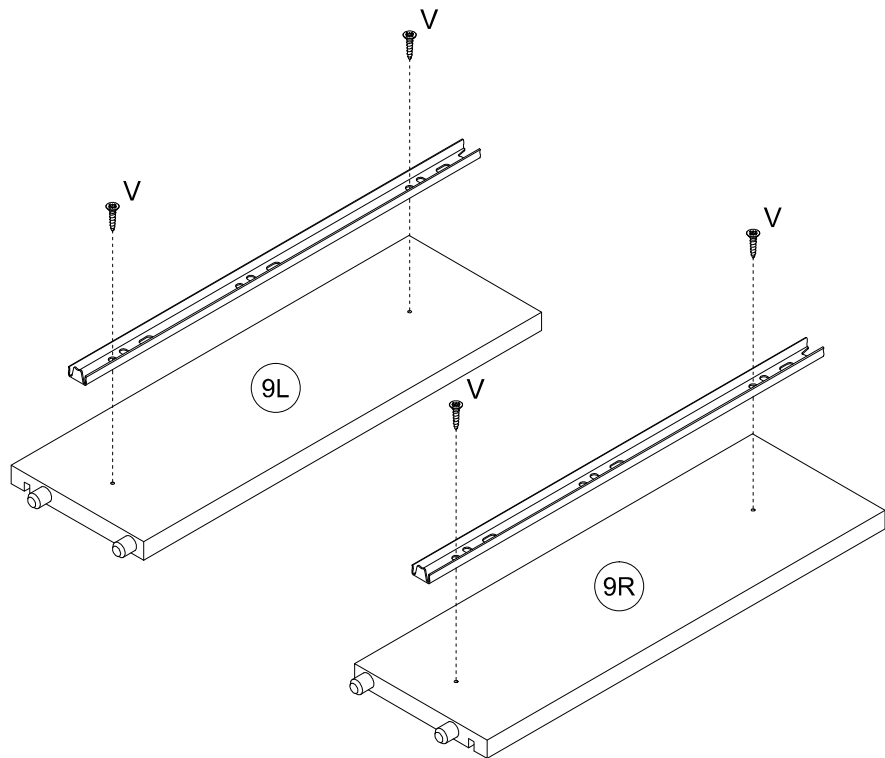
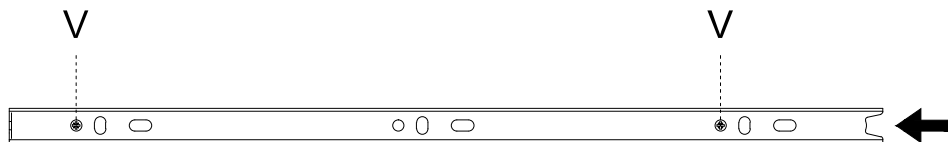
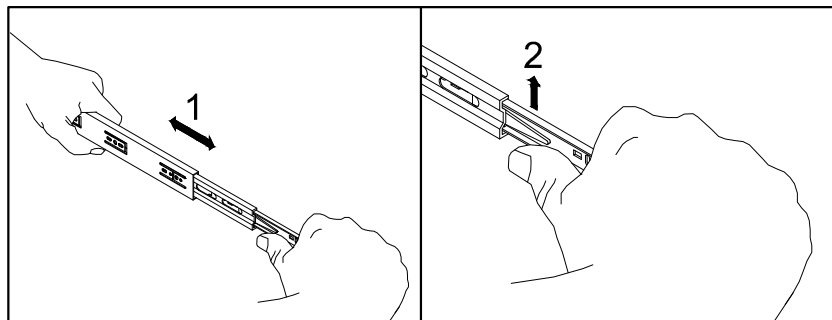


B	x23	C	x23	GLUE	x1	V	3x13	x4	NE	4x16	x12
A	8x32	W+H2	x4	ST	x1	W	4x60	x3	PPW	300	x2
X	x2	X1	x6	ND	3.5x16	N	3x20	x2	Z	x16	

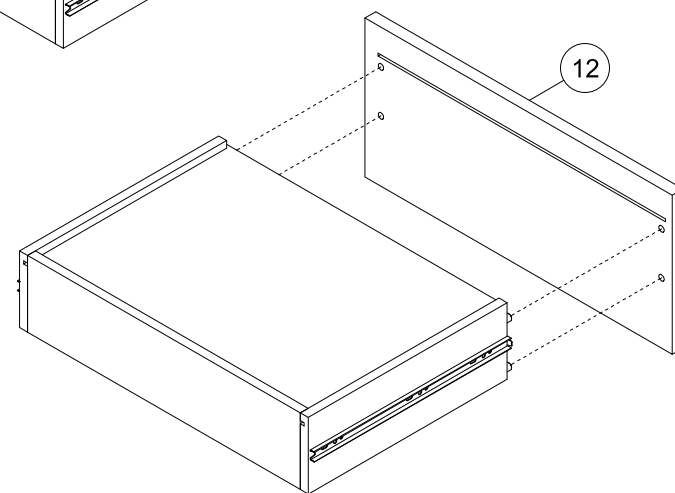
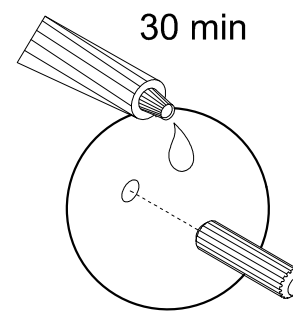
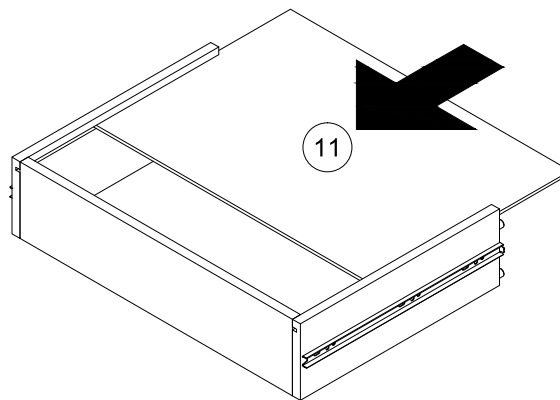
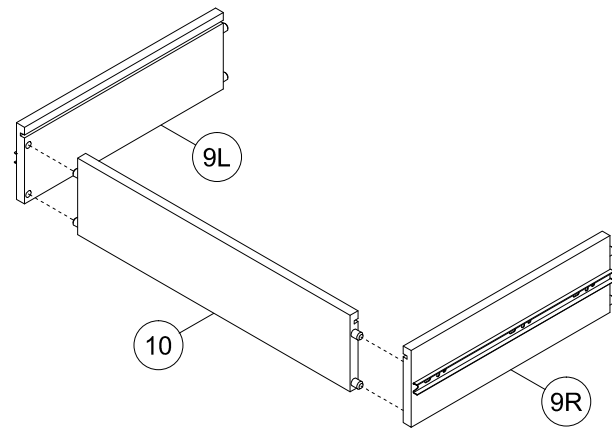
1	1402	333	16	x1	2 / 2
2	1402	349	16	x1	2 / 2
3L	350	366	16	x1	2 / 2
3R	350	366	16	x1	2 / 2
4L	329	302	16	x2	2 / 2
4R	329	302	16	x1	2 / 2
5	459	329	16	x1	2 / 2
6	1402	80	16	x1	2 / 2
7	1402	80	16	x1	2 / 2
8	463	350	16	x1	2 / 2
9L	300	100	12	x1	2 / 2
9R	300	100	12	x1	2 / 2
10	411	100	12	x1	2 / 2
11	422	298	2.5	x1	2 / 2
12	463	190	16	x1	2 / 2
13	1412	283	2.5	x1	2 / 2



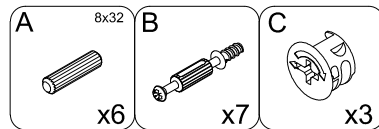
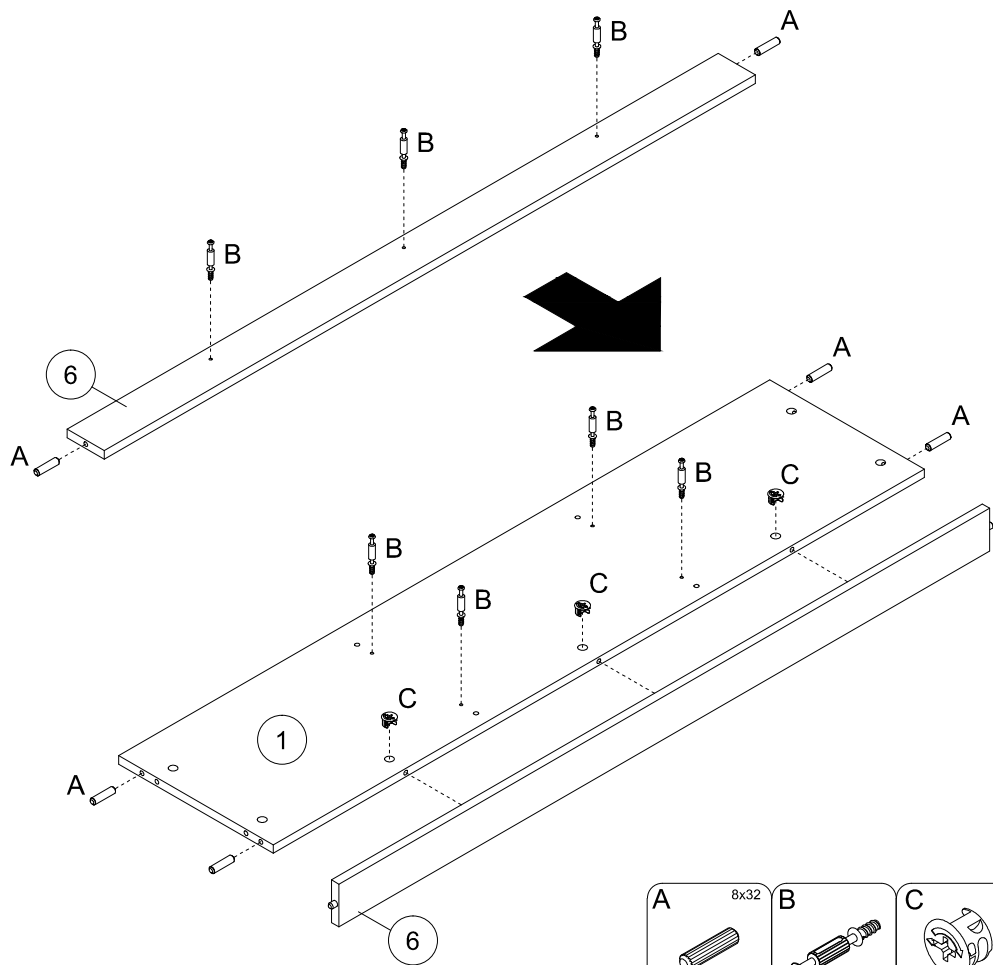
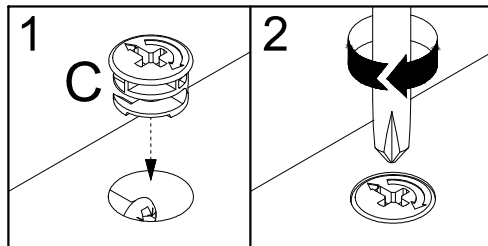
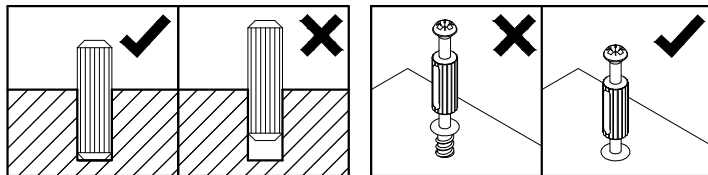
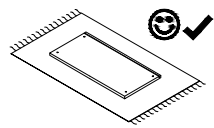
1



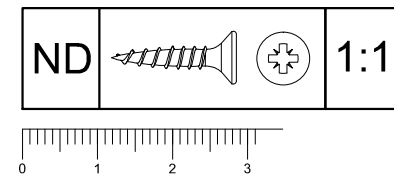
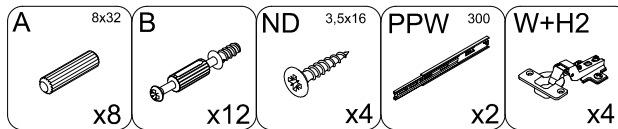
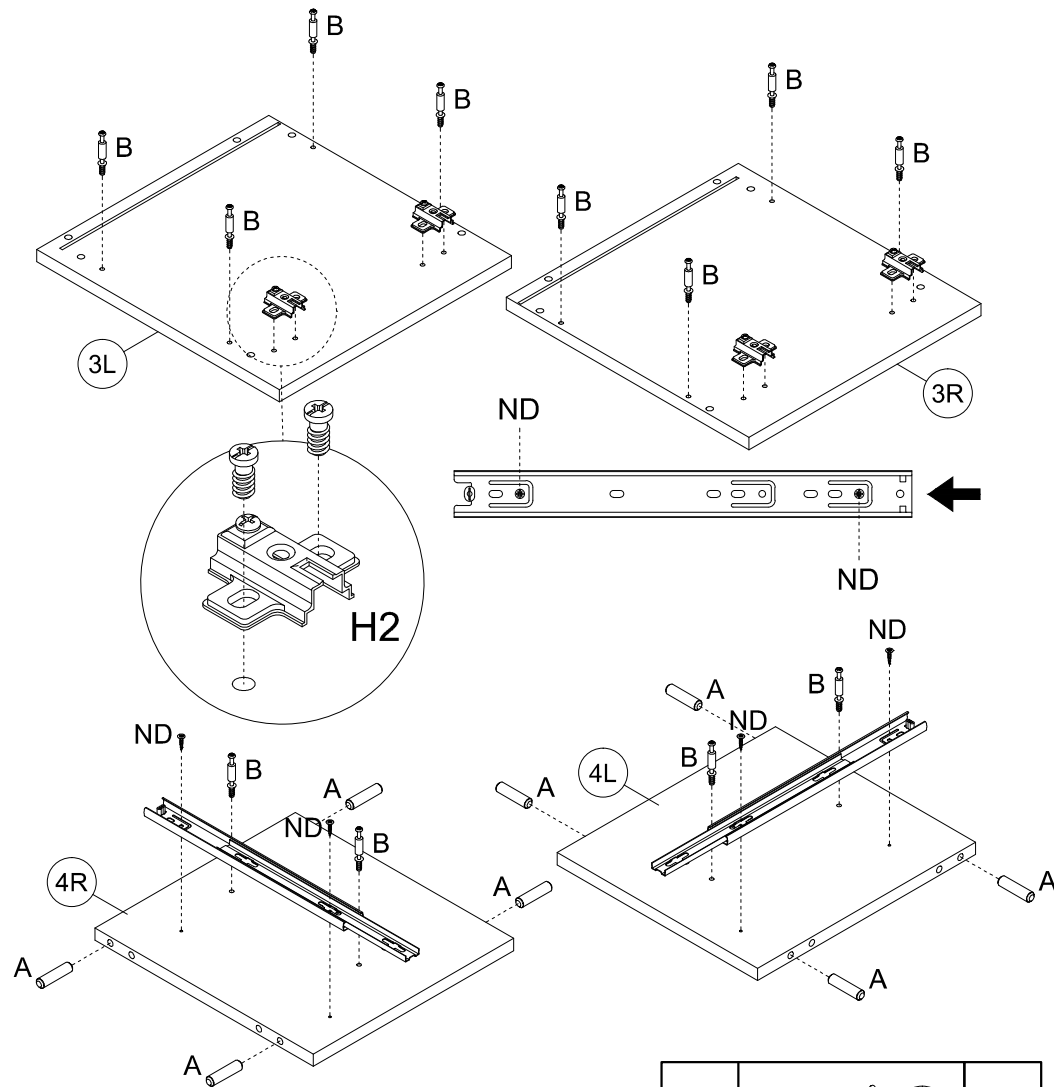
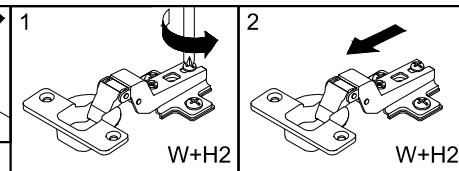
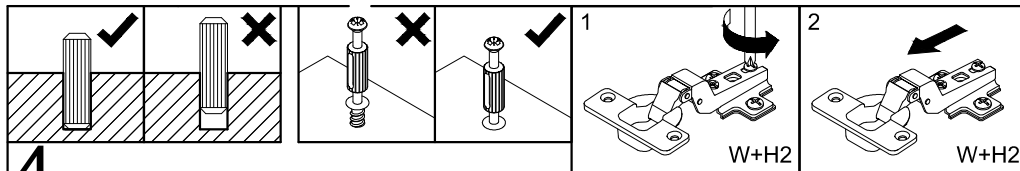
2



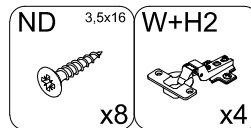
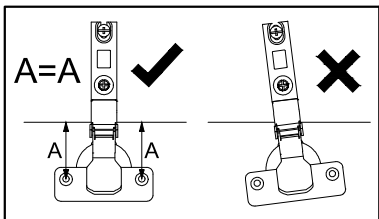
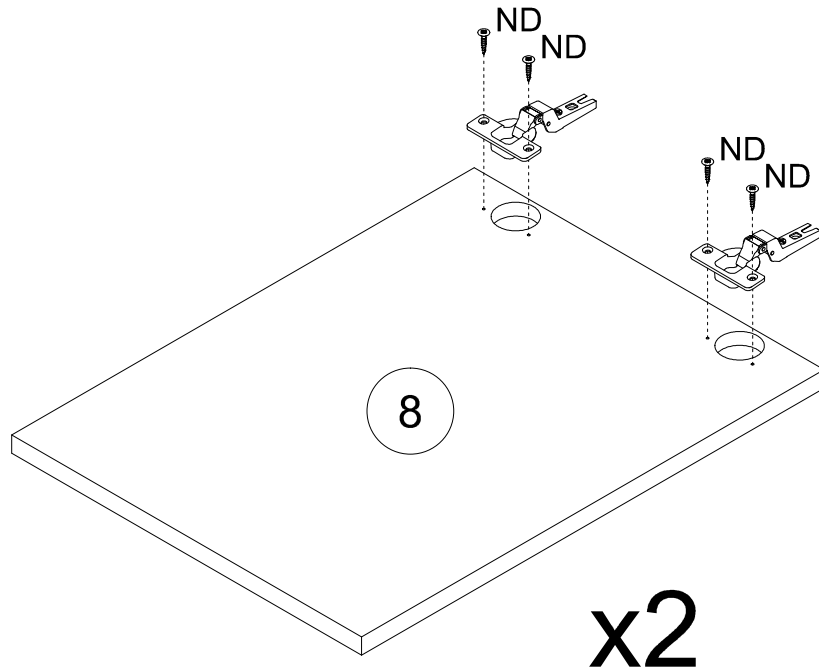
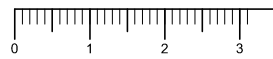
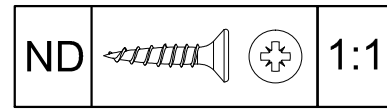
3



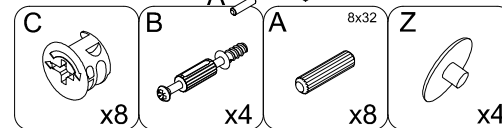
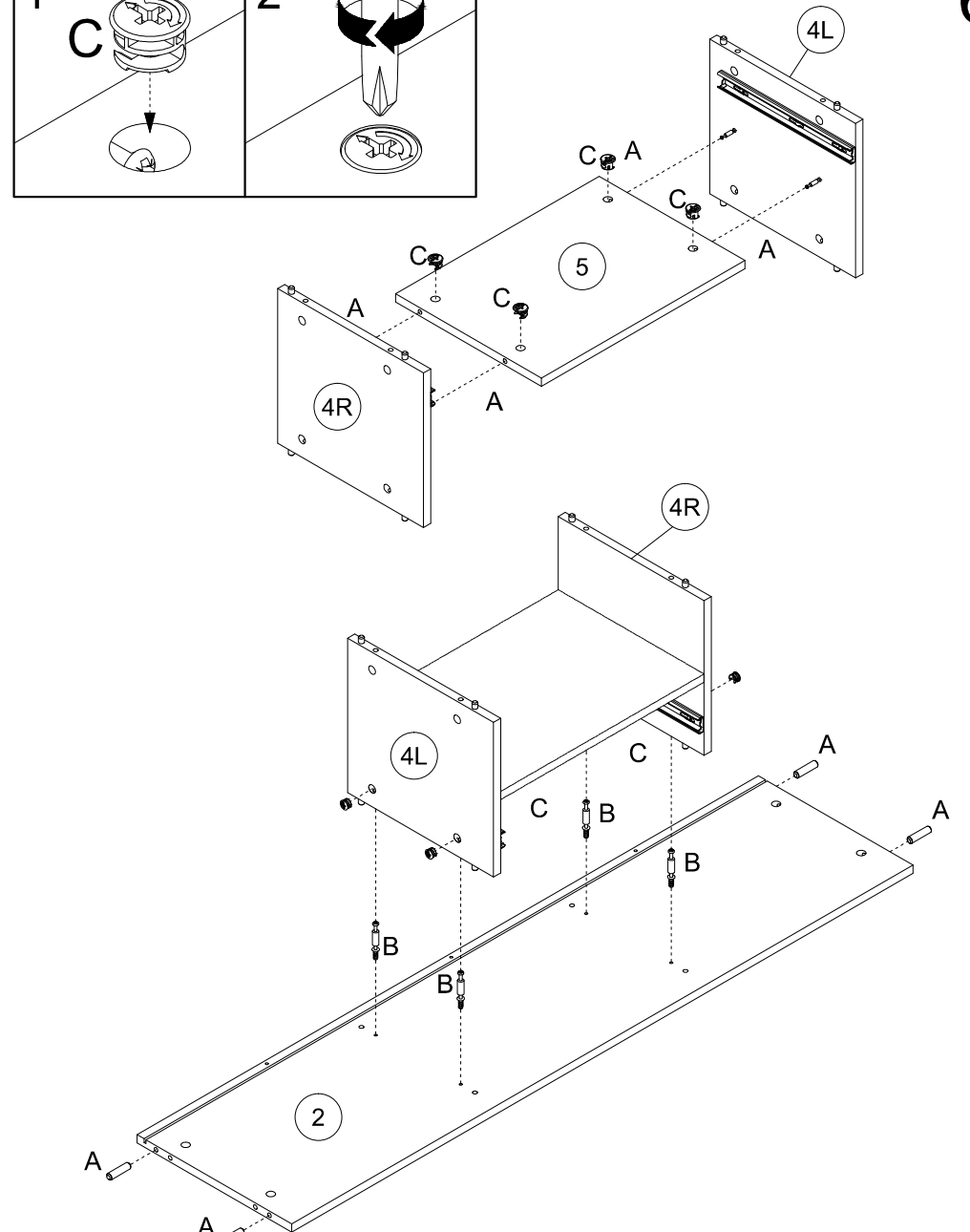
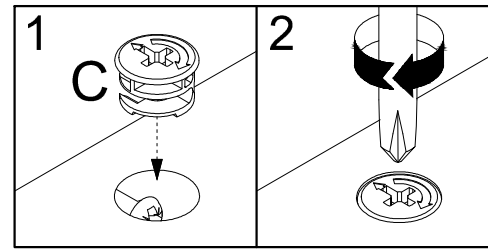
4



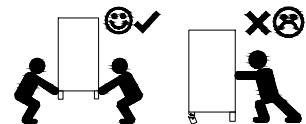
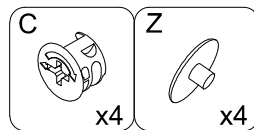
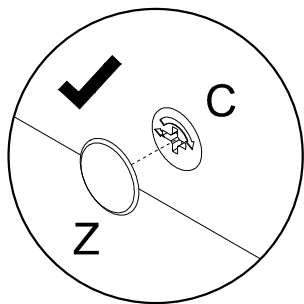
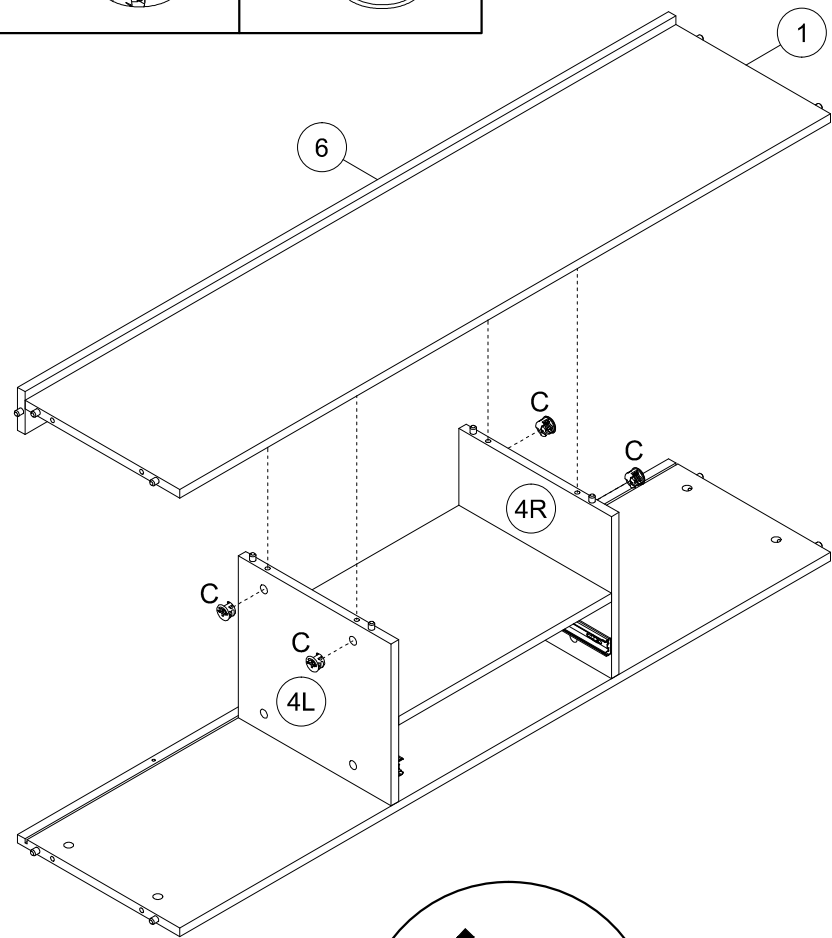
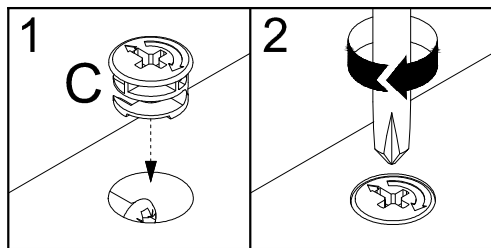
5



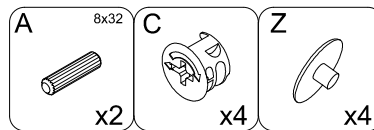
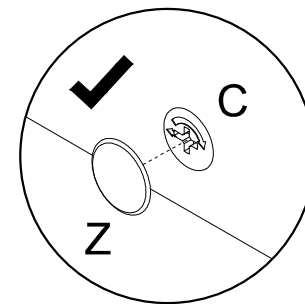
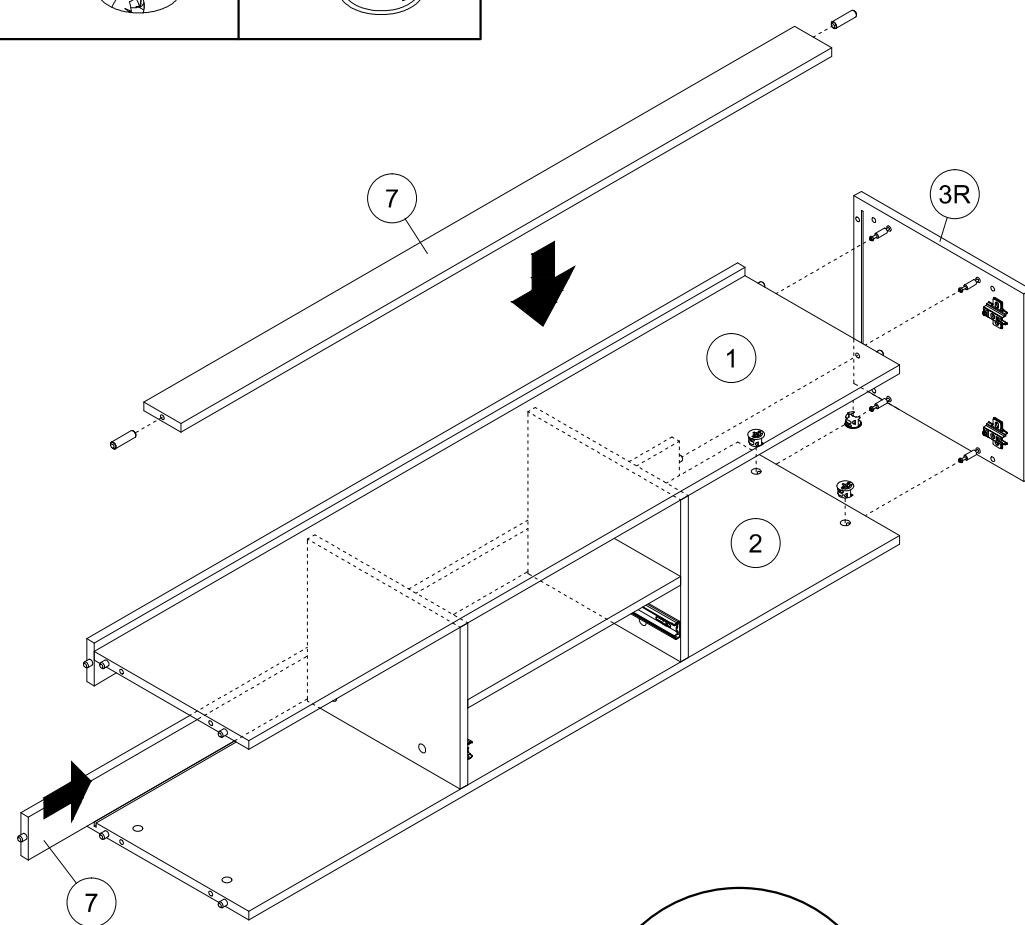
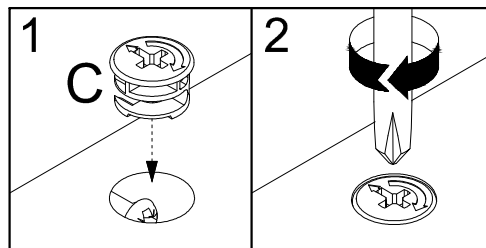
6



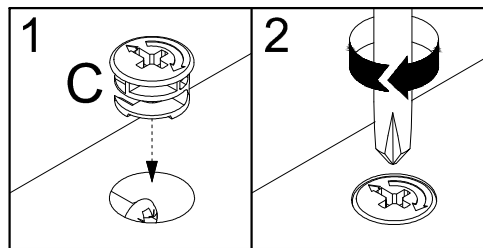
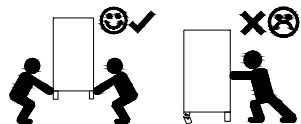
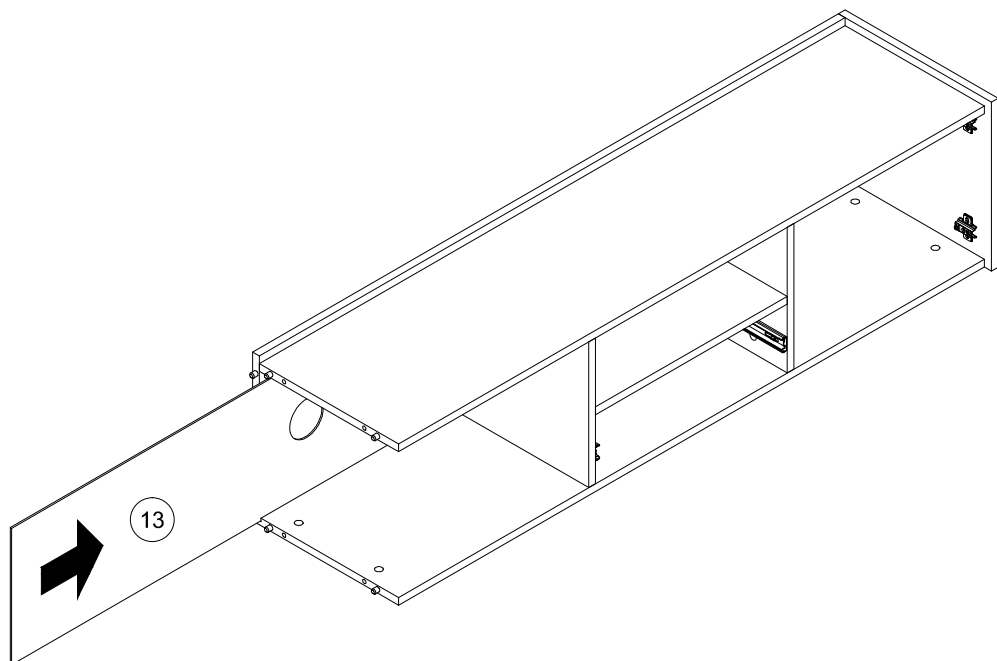
7



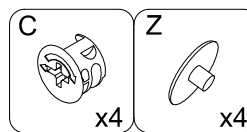
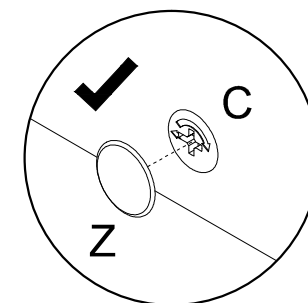
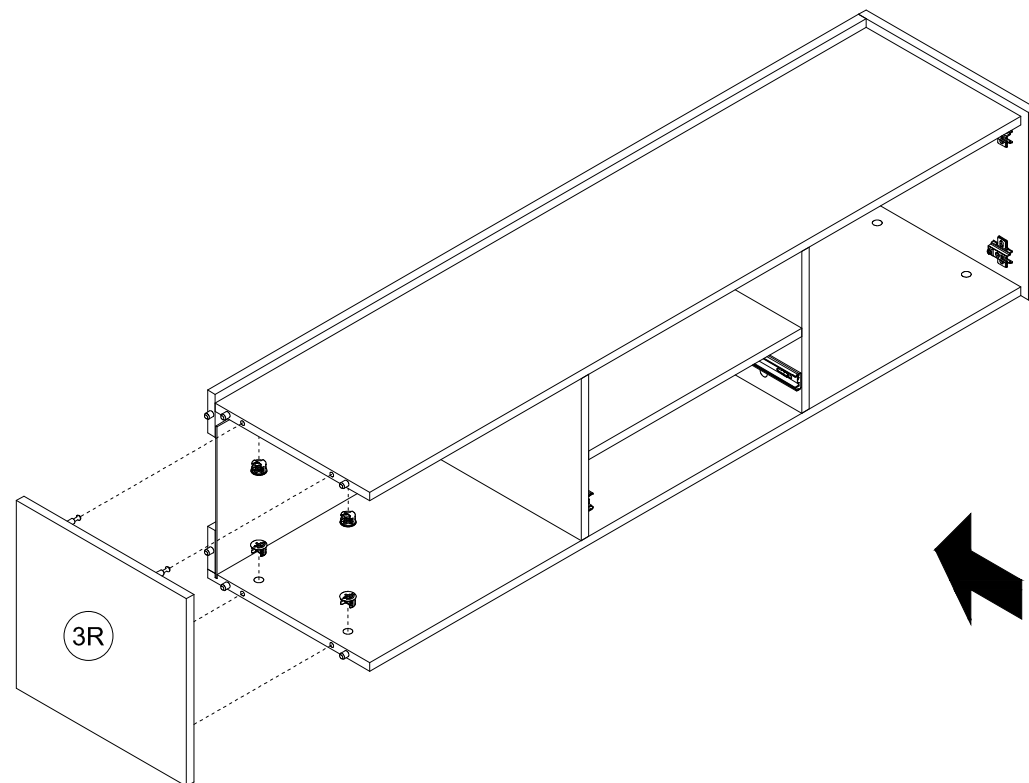
8



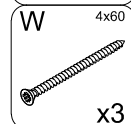
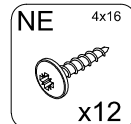
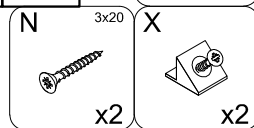
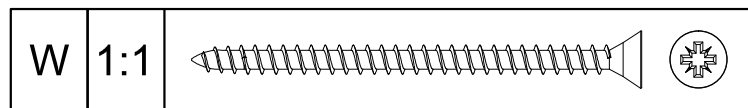
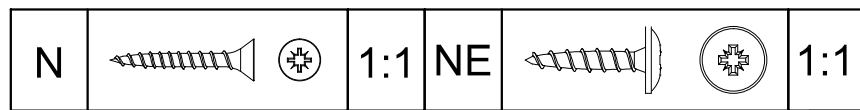
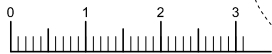
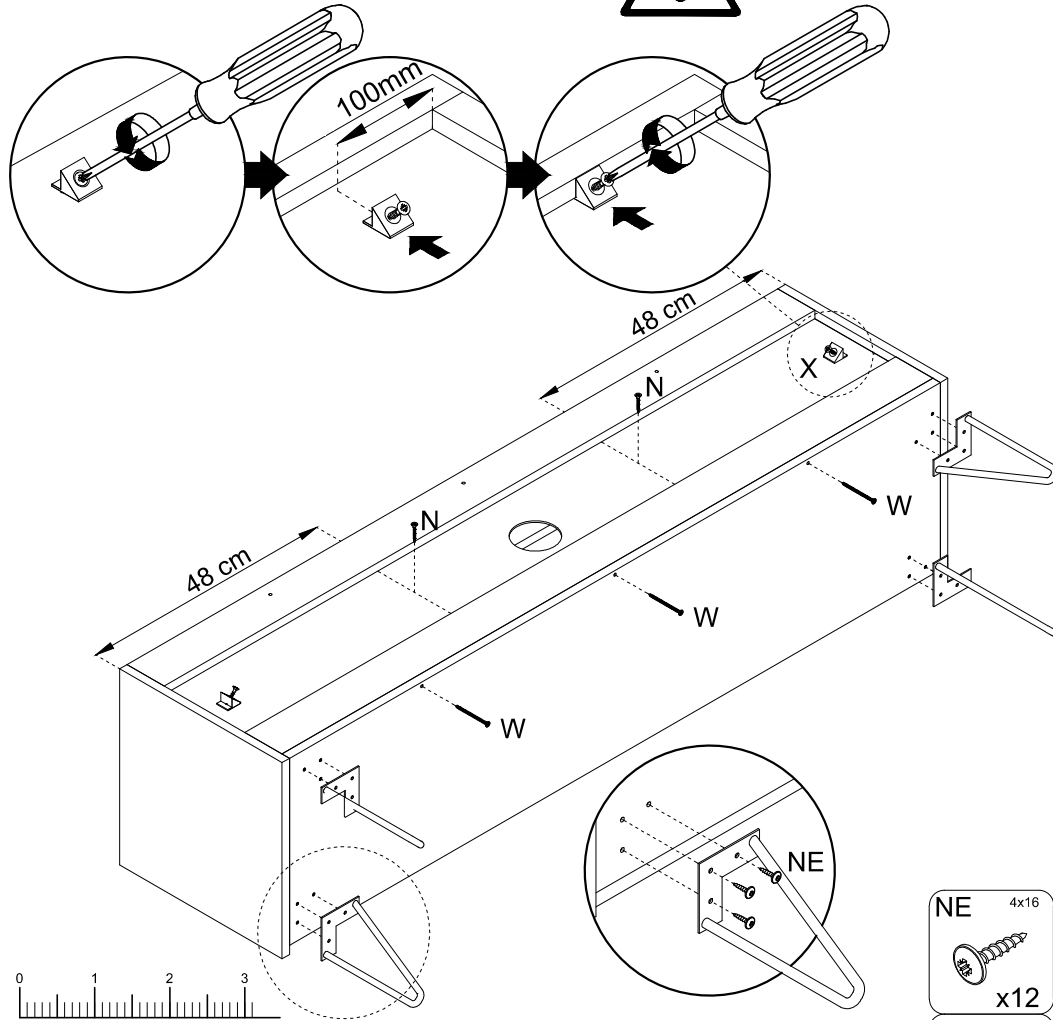
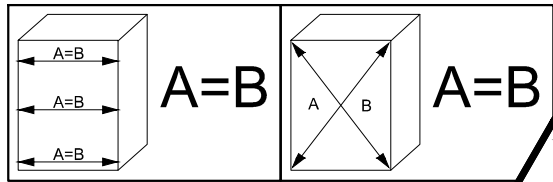
9



10



11



12

