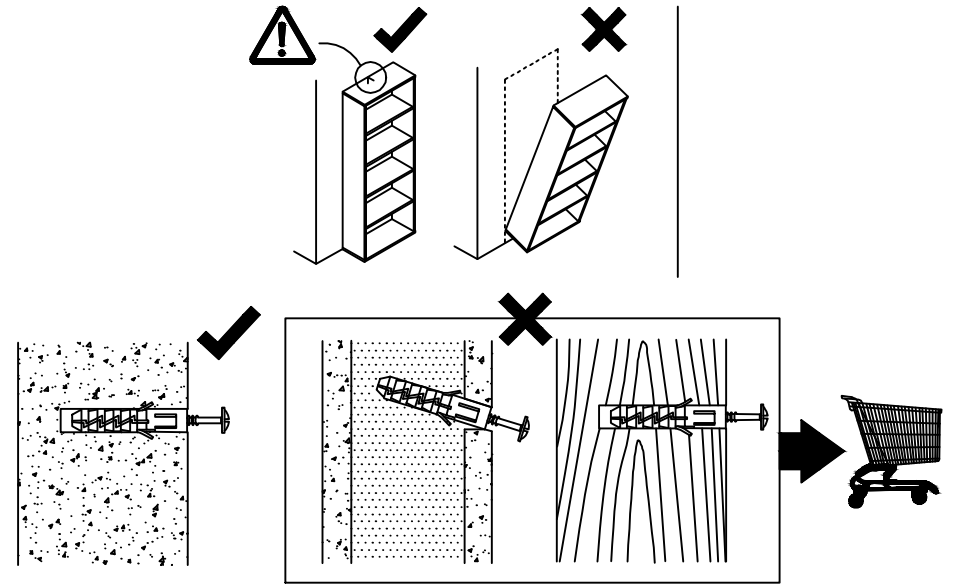
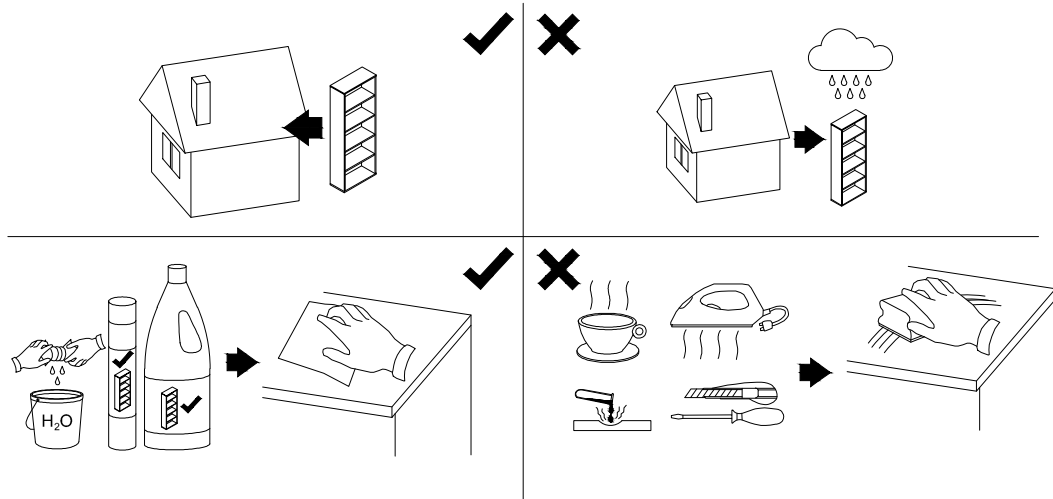
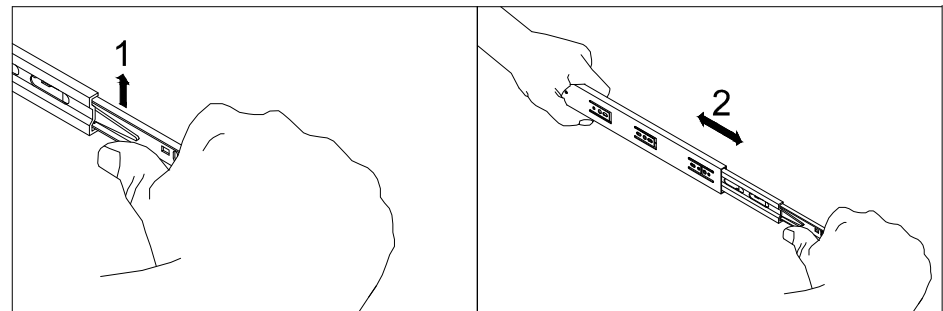
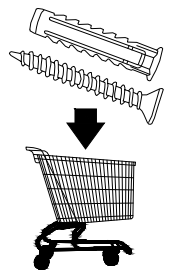


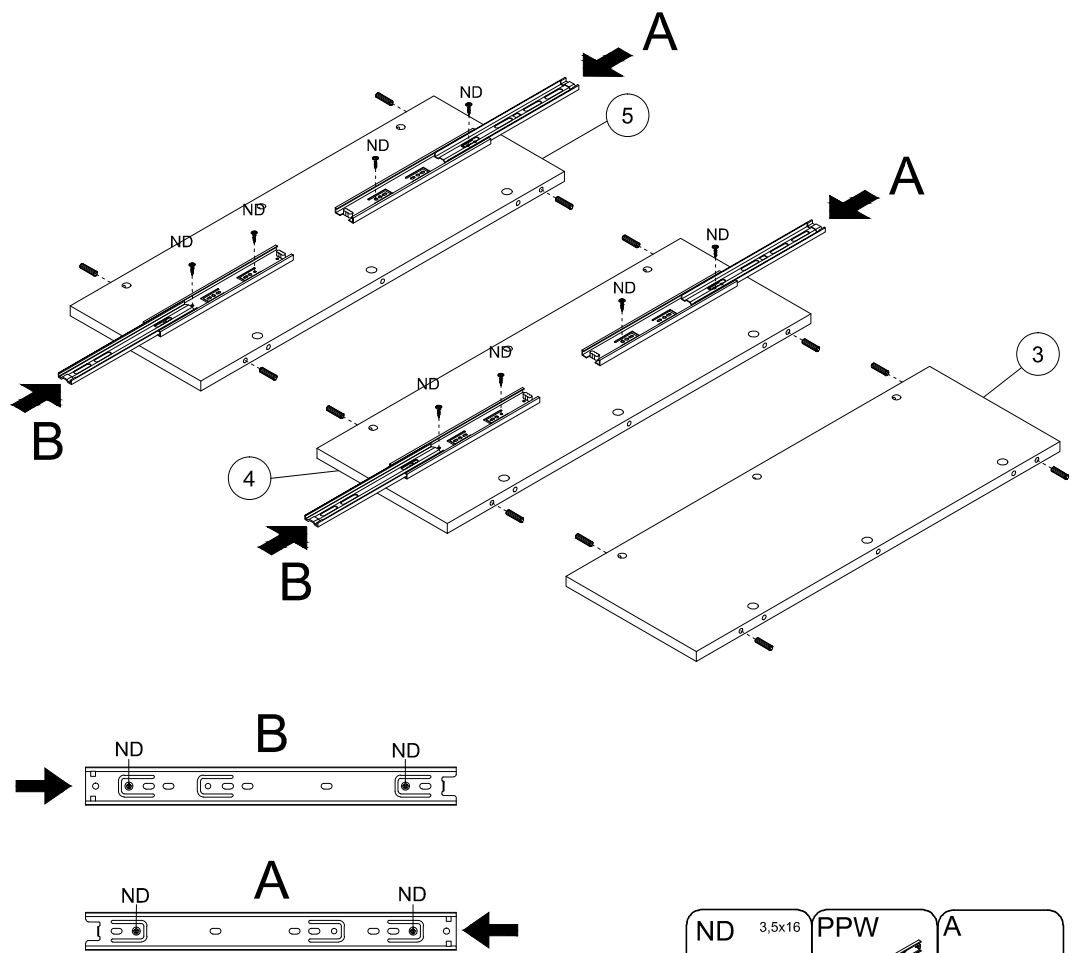
V 3x13 x16	R5 x2	PPW 300 x4	GLUE x1
B x18	A 8x32 x12	Z x6	C x18
			ND 3,5x16 x14



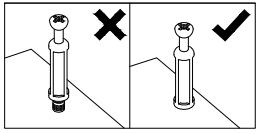
1	1038	680	16	x1	2 / 2
2	1038	680	16	x1	2 / 2
3	230	680	16	x1	2 / 2
4	230	644	16	x1	2 / 2
5	230	680	16	x1	2 / 2
6	496	224	16	x2	2 / 2
7	445	100	12	x2	2 / 2
8	300	100	12	x2	2 / 2
9	300	100	12	x2	2 / 2
10	455	299	3	x2	2 / 2



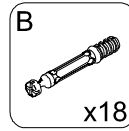
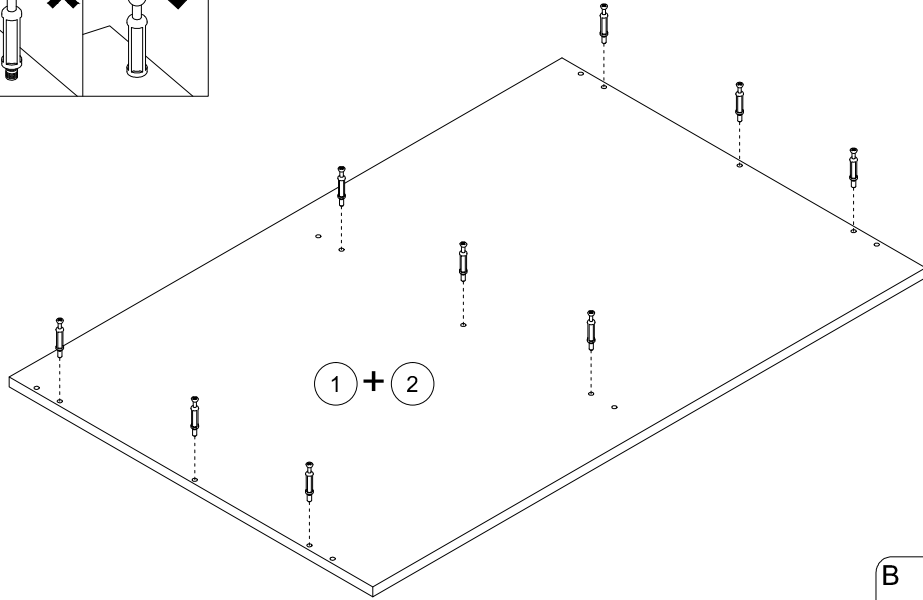
1



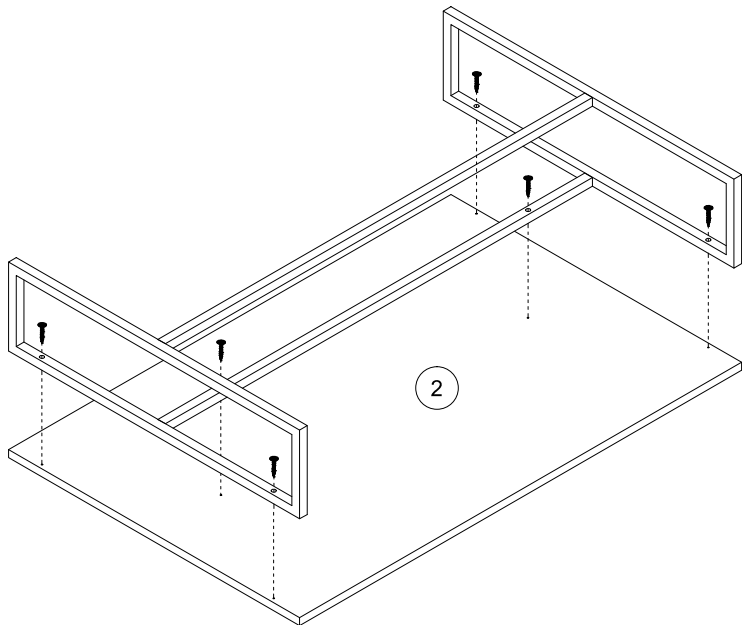
ND	3,5x16	PPW	A
x8		x2	x12



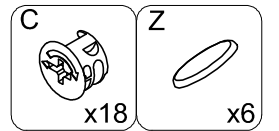
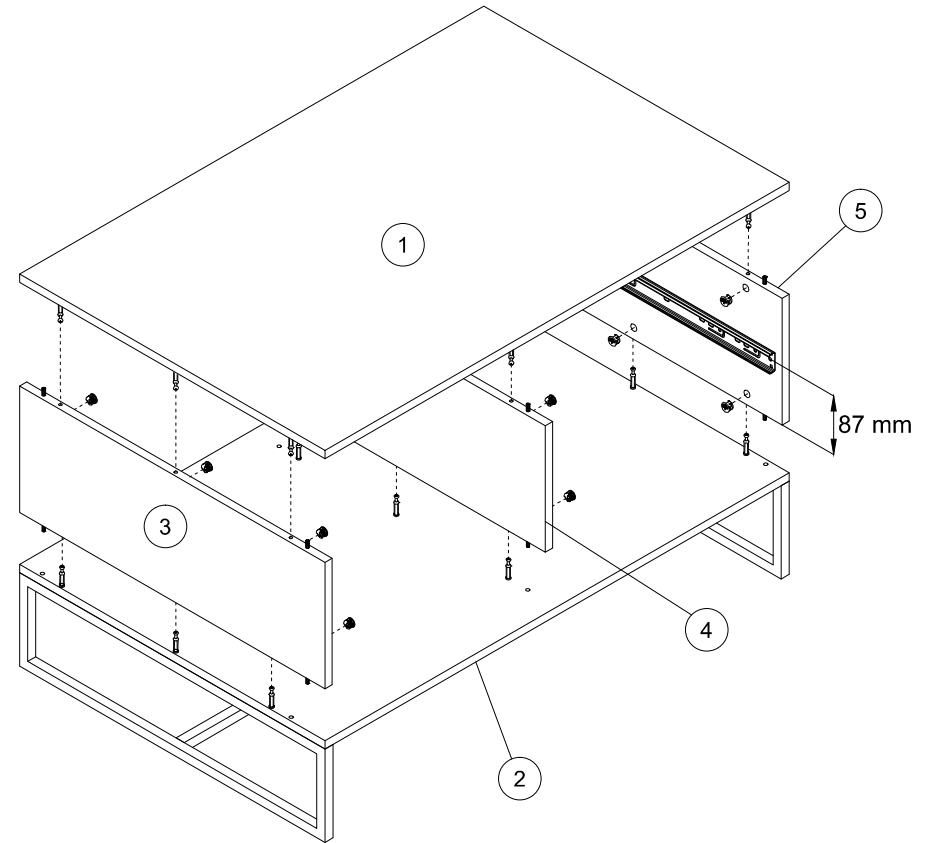
2



3

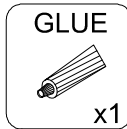
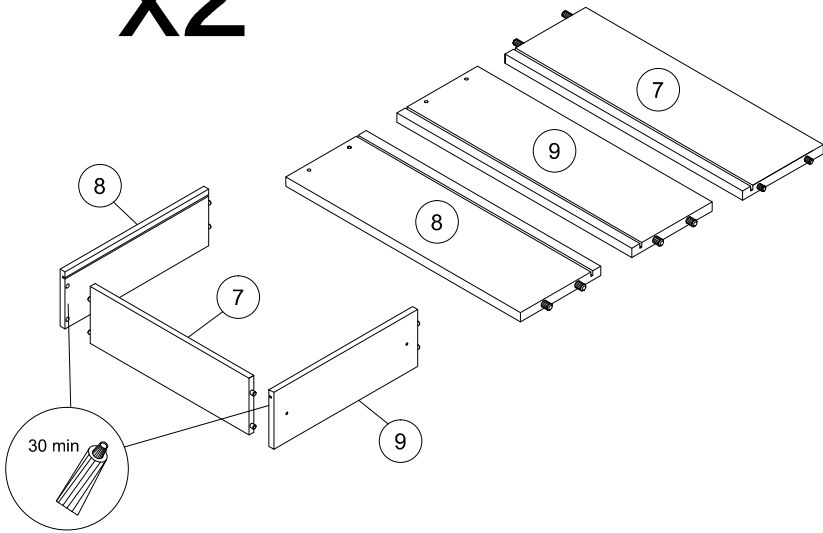


4



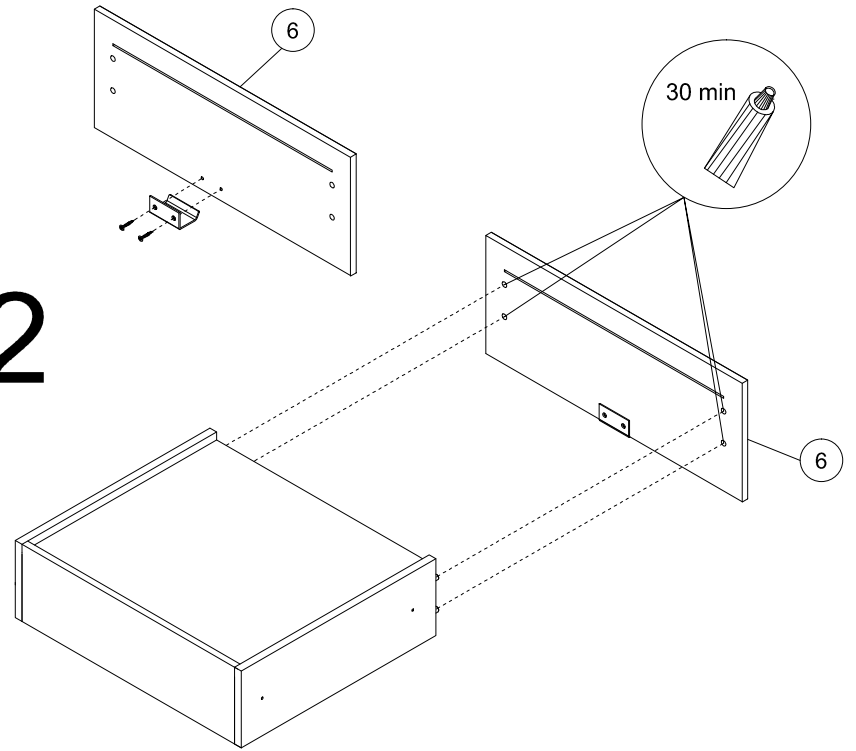
5

x2



7

x2



6

x2

