

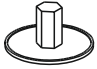




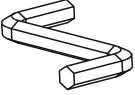

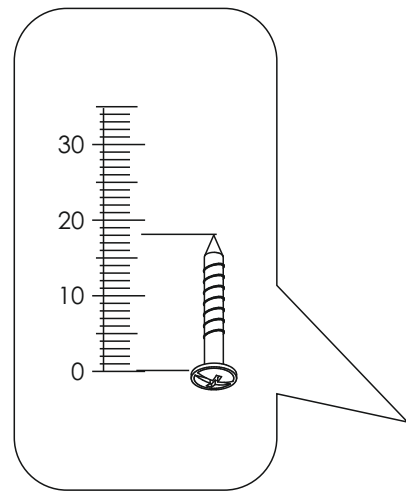
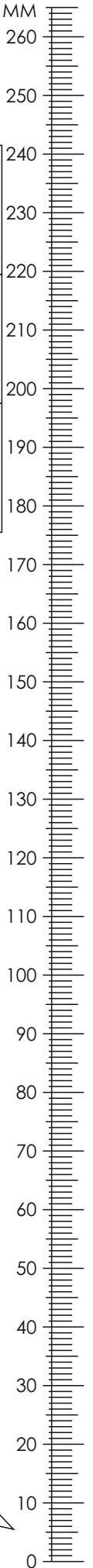
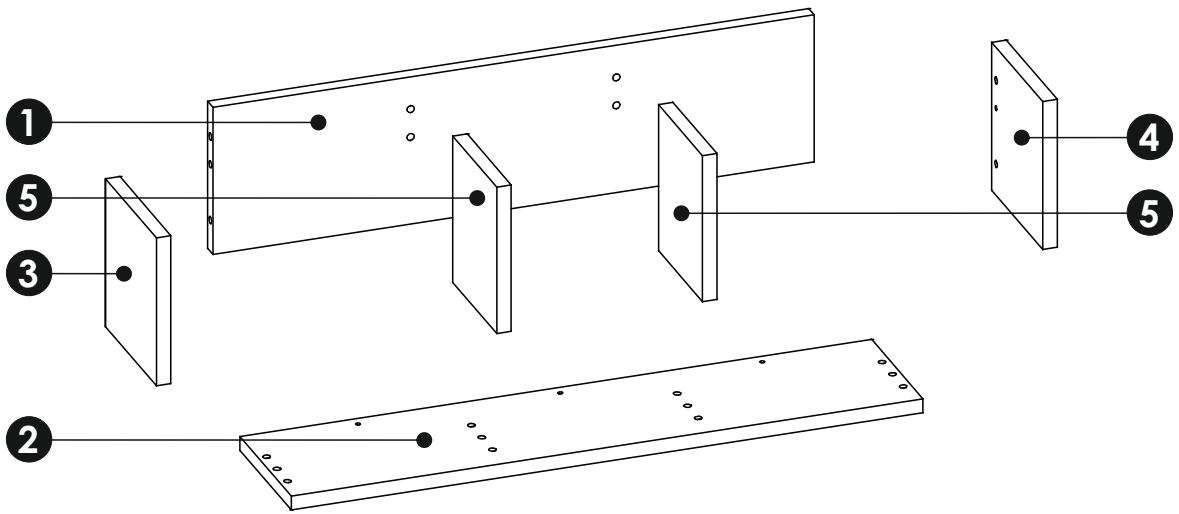
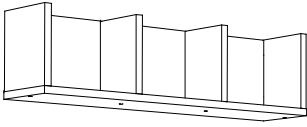


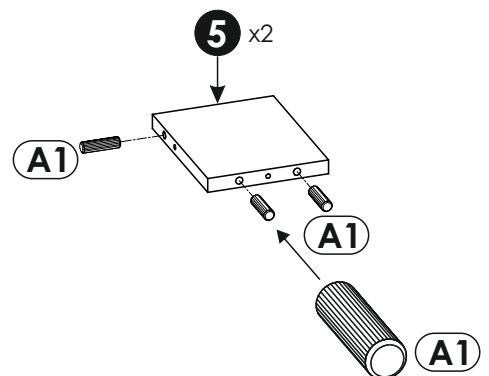
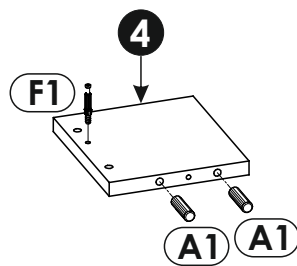
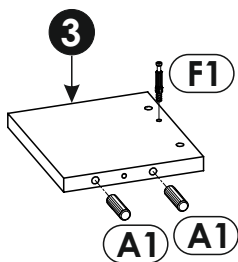
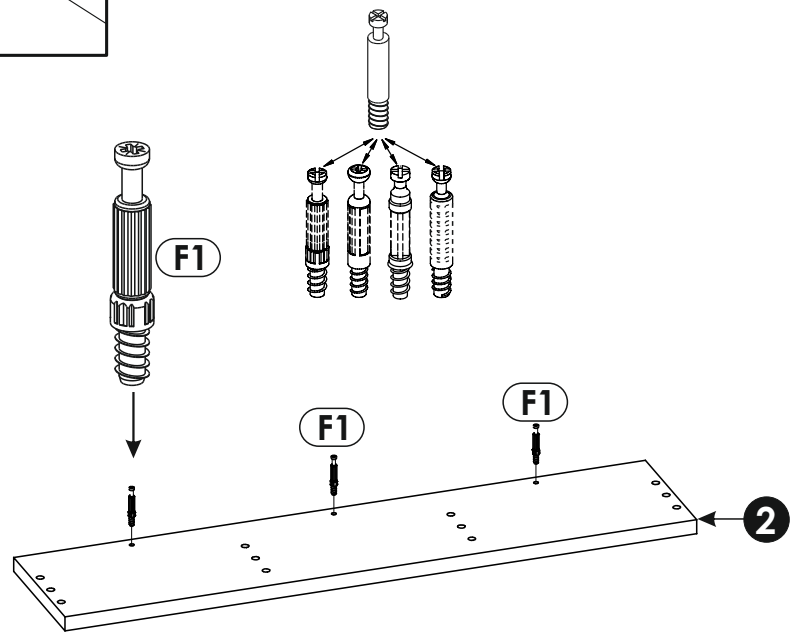
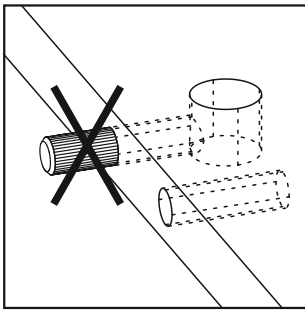
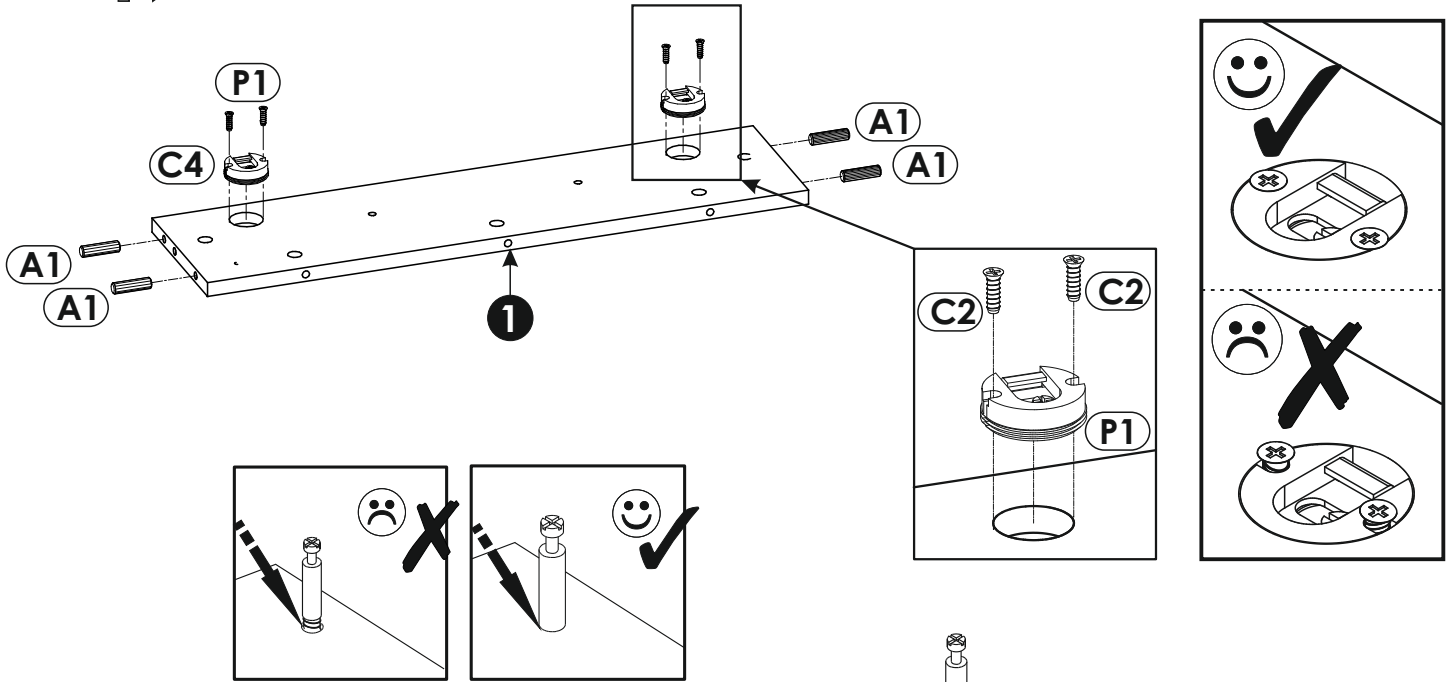
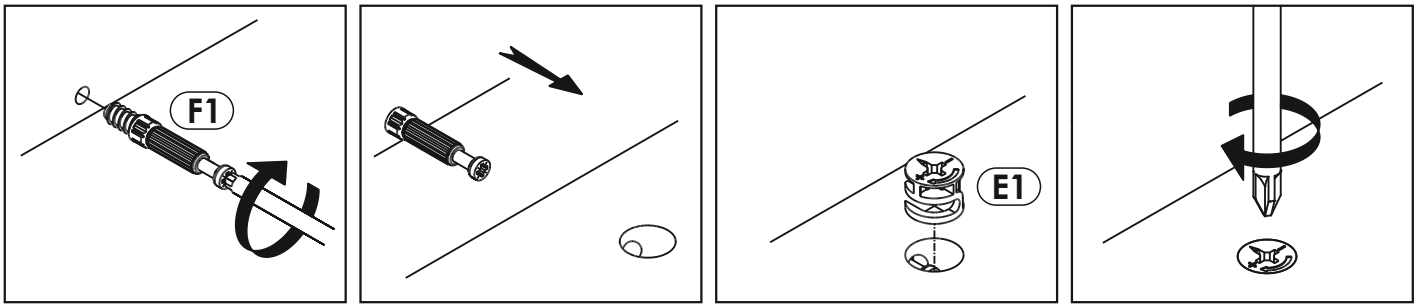


A1 x14 	C2 x4 5 x 13 mm 	E0 x5 
E1 x5 	F1 x5 	G0 x6 
G1 x6 $\phi 7$ x 50 mm 	M x1 	P1 x2 

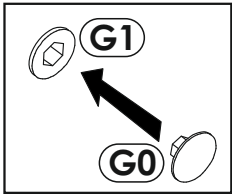
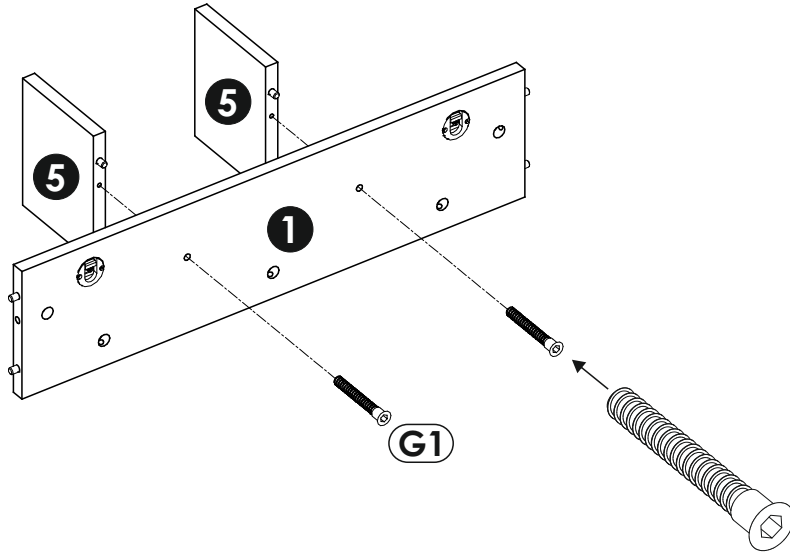




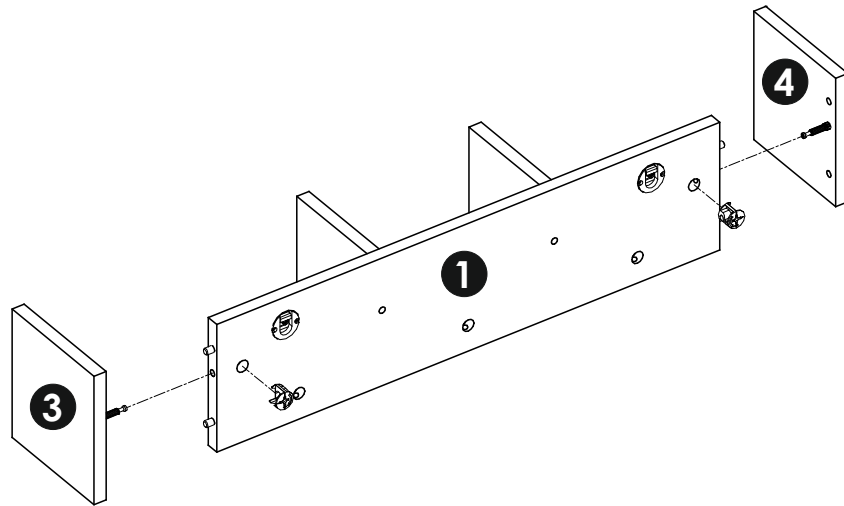
1	666	169	16	x1	1/1
2	700	156	16	x1	1/1
3	170	155	16	x1	1/1
4	170	155	16	x1	1/1
5	168	134	16	x2	1/1



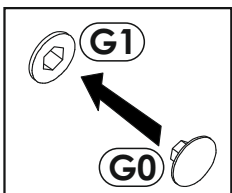
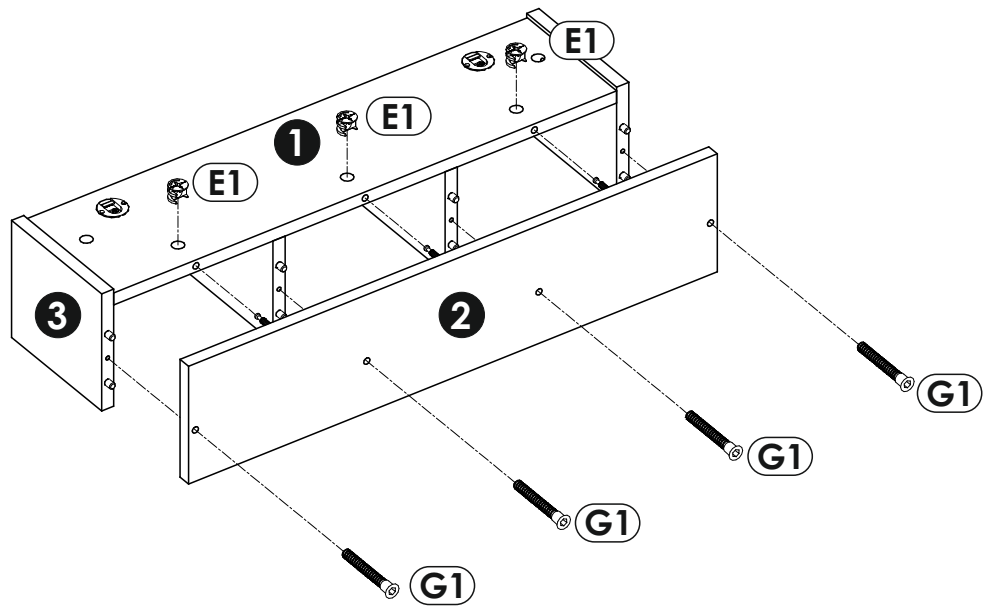
2▶



3▶



4▶



5 ▶

