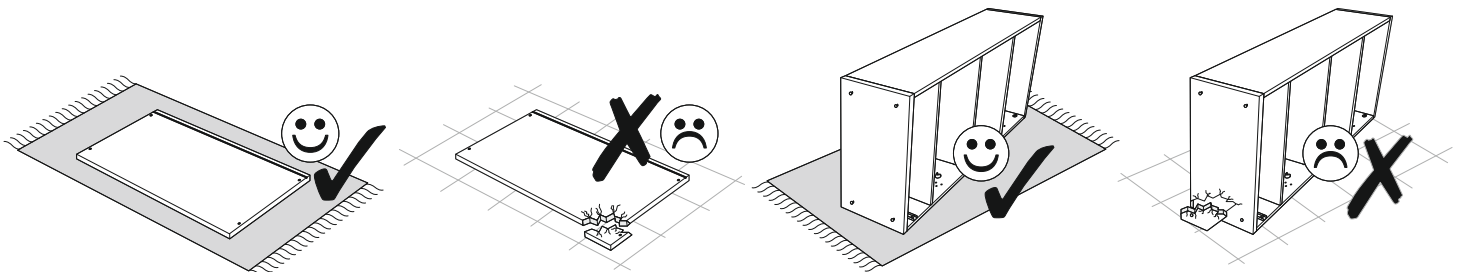
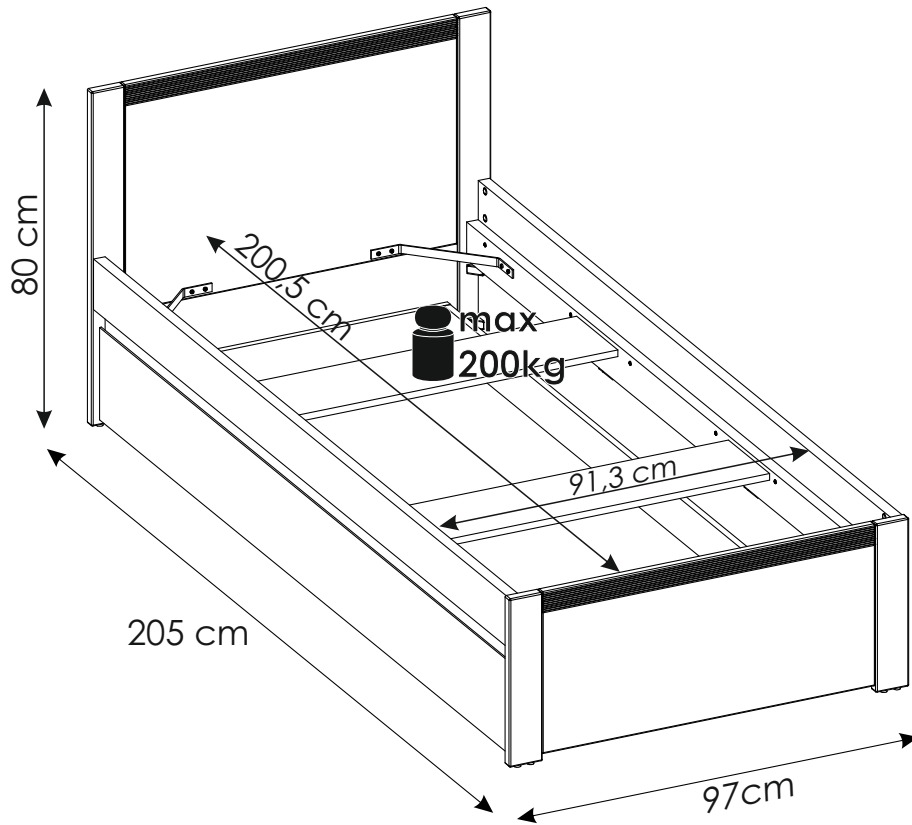
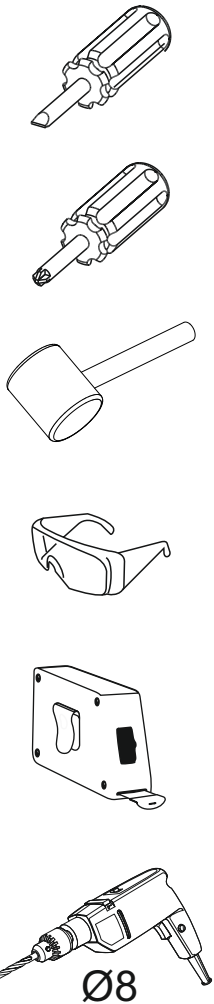
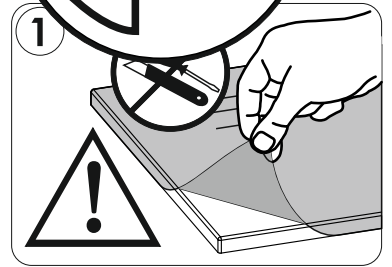
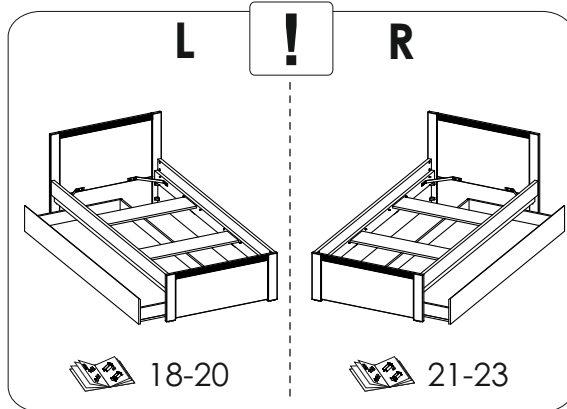
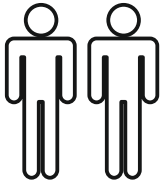
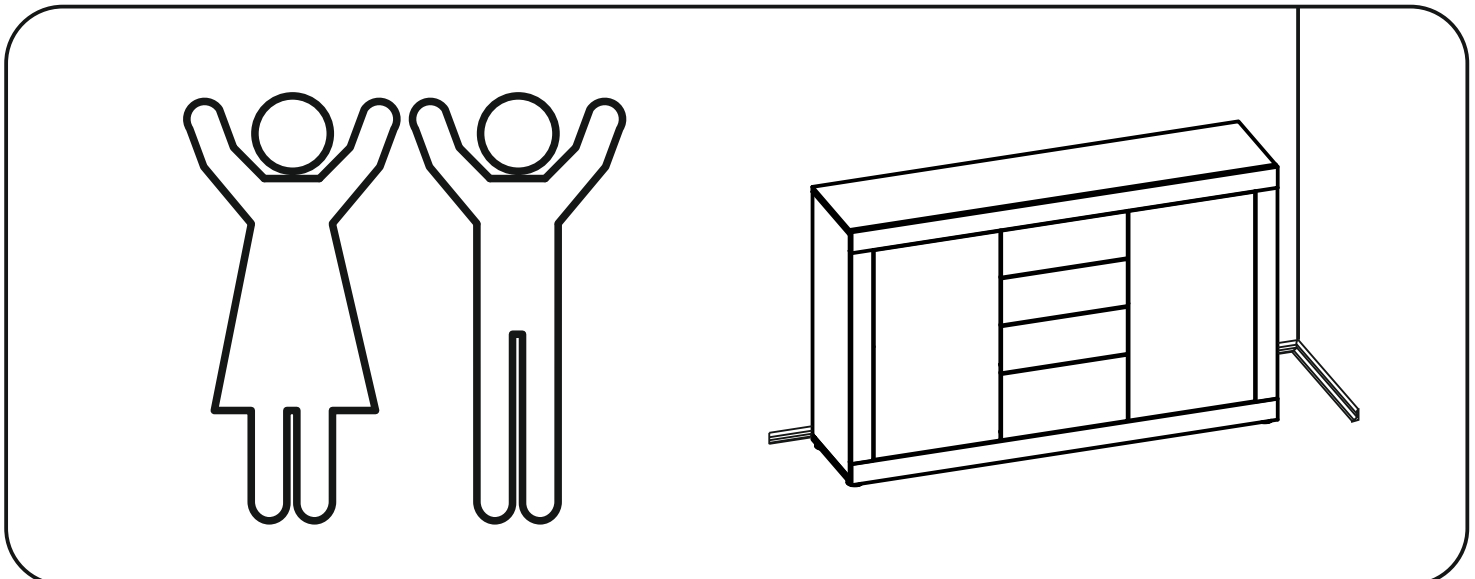
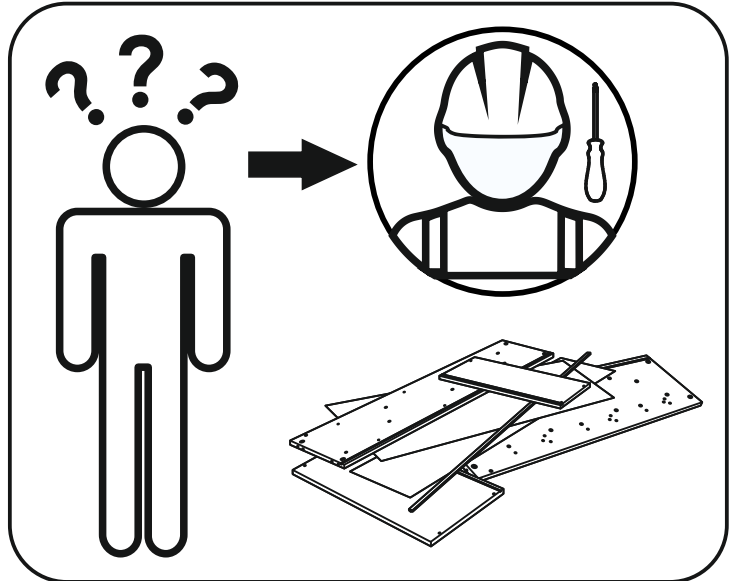
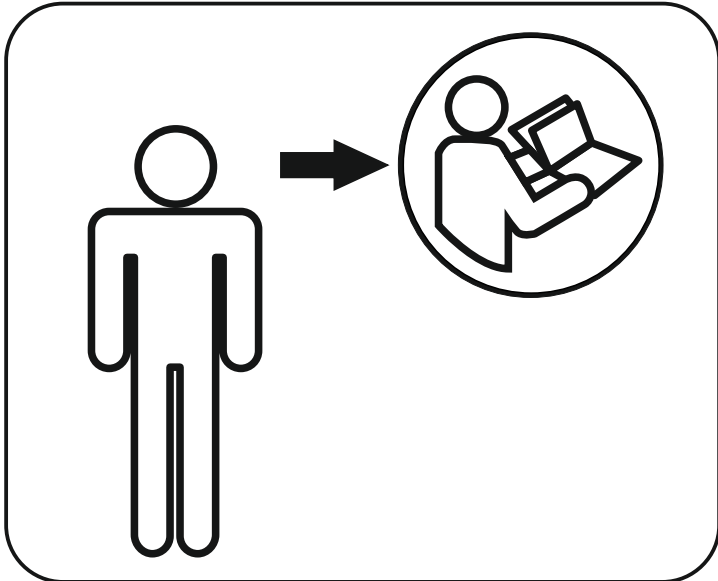
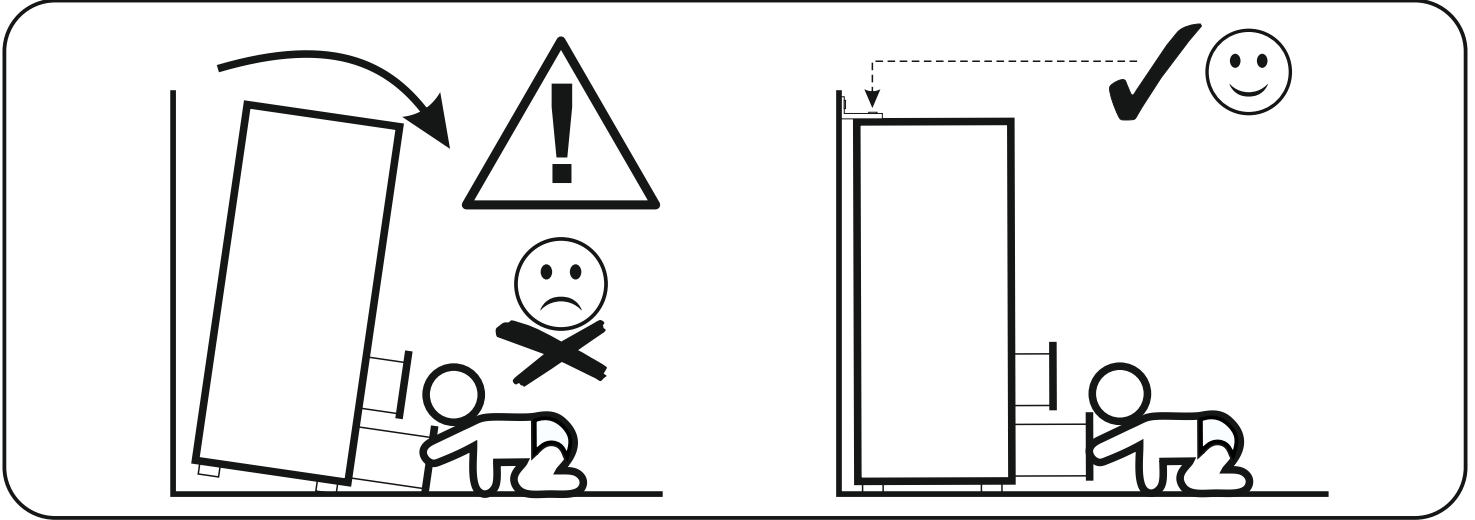


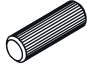



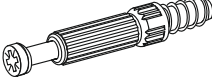

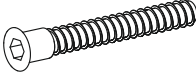

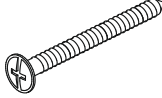
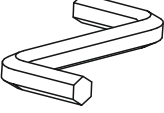
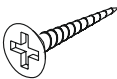
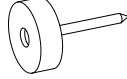


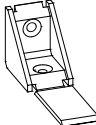

NVIZ01

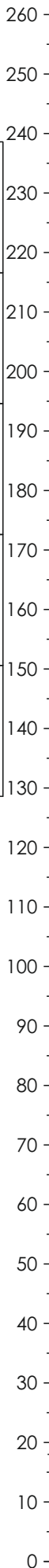




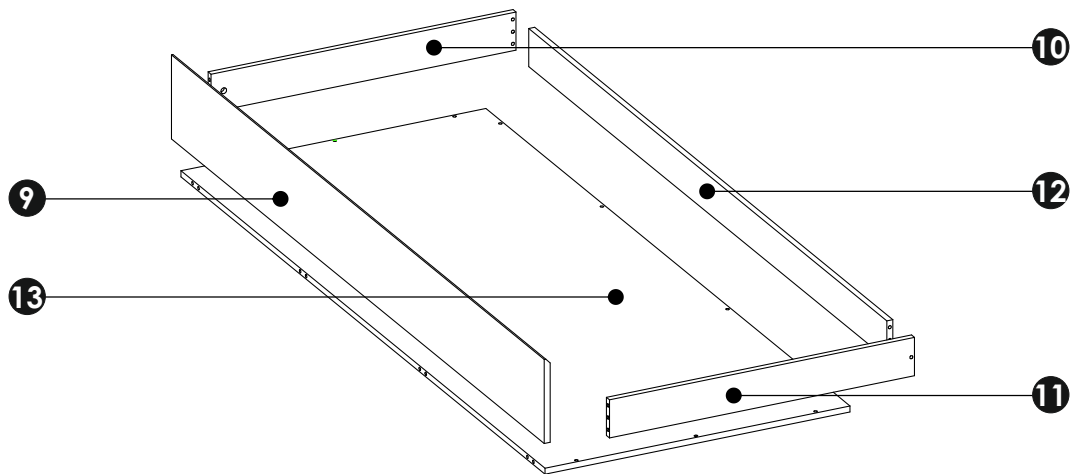
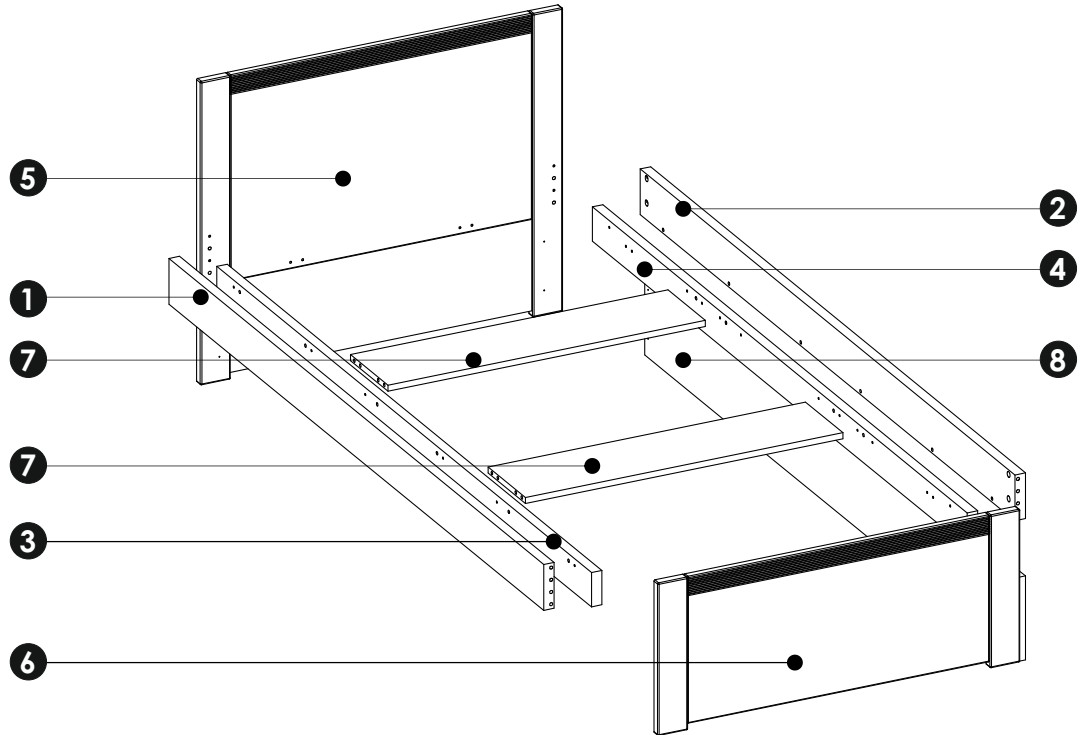
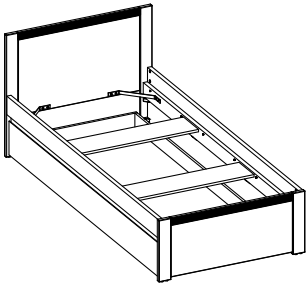
NVIZ01

MM

<p>A1 8 x 35 mm x40</p> 	<p>C3 6,3 x 16 mm x16</p> 	<p>E0 x10</p> 
<p>E1 15 x 12 mm x22</p> 	<p>F1 6 x 34 mm x22</p> 	<p>G0 x2</p> 
<p>G1 7 x 50 mm x12</p> 	<p>I14 3 x 13 mm x12</p> 	<p>I18 4 x 45 mm x12</p> 
<p>M x1</p> 	<p>N2 3,5 x 16 mm x12</p> 	<p>O2 x8</p> 
<p>O5 x6</p> 	<p>R8 x2</p> 	<p>W x6</p> 
<p>X4 x4</p> 		

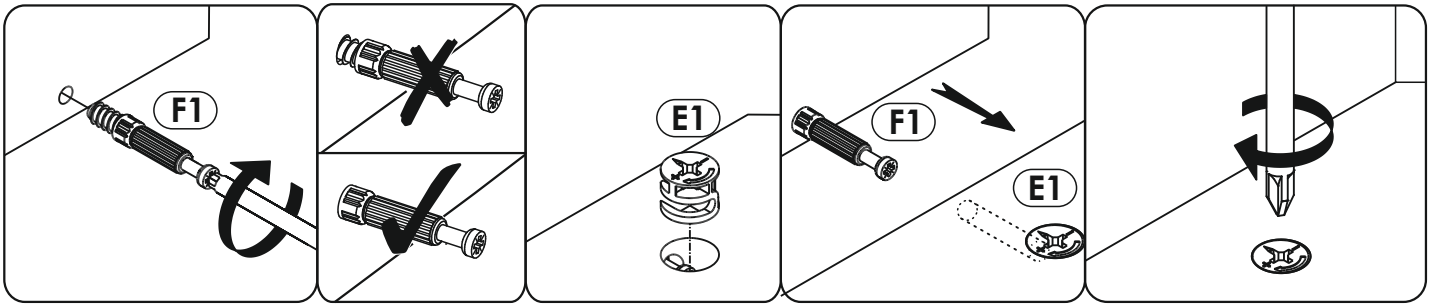


NVIZ01

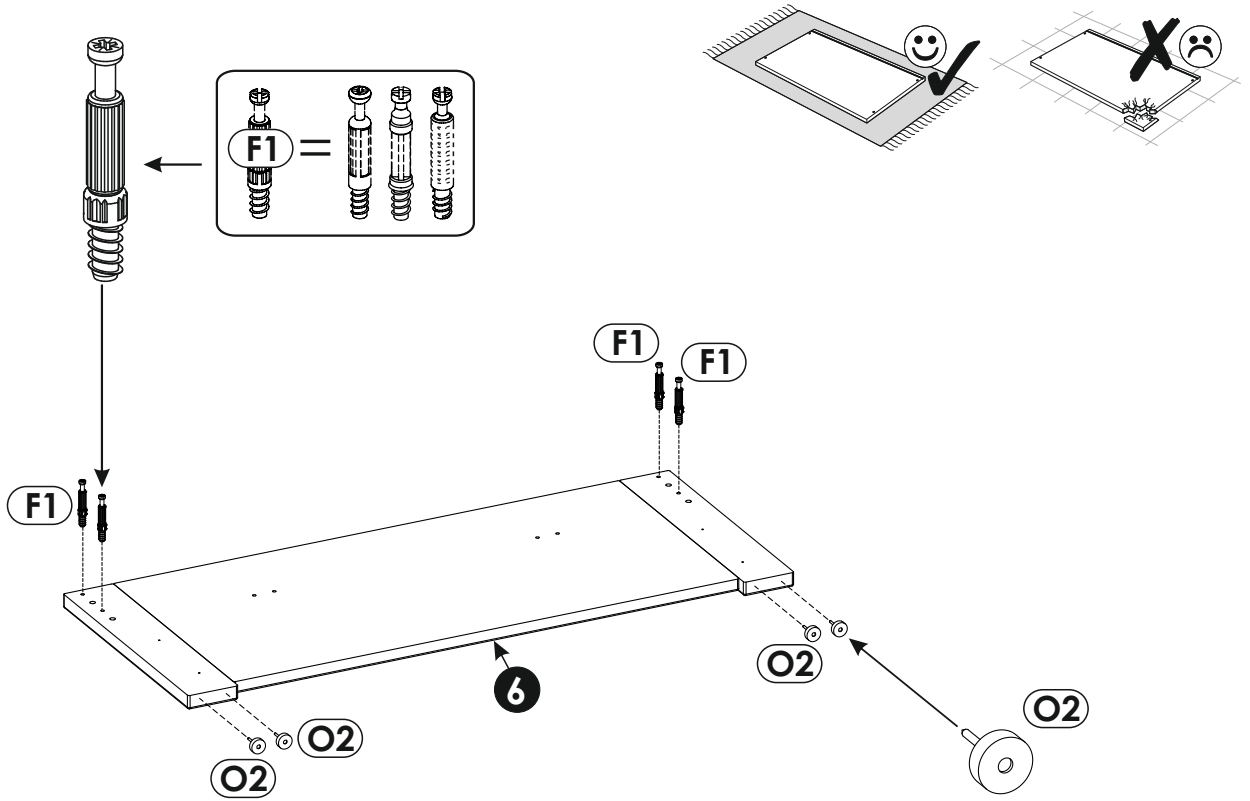


1	2005	120	28 x1	1/3
2	2005	120	28 x1	1/3
3	2005	90	28 x1	1/3
4	2005	90	28 x1	1/3
5	969	795	22 x1	2/3
6	969	400	22 x1	2/3
7	849	200	16 x2	3/3

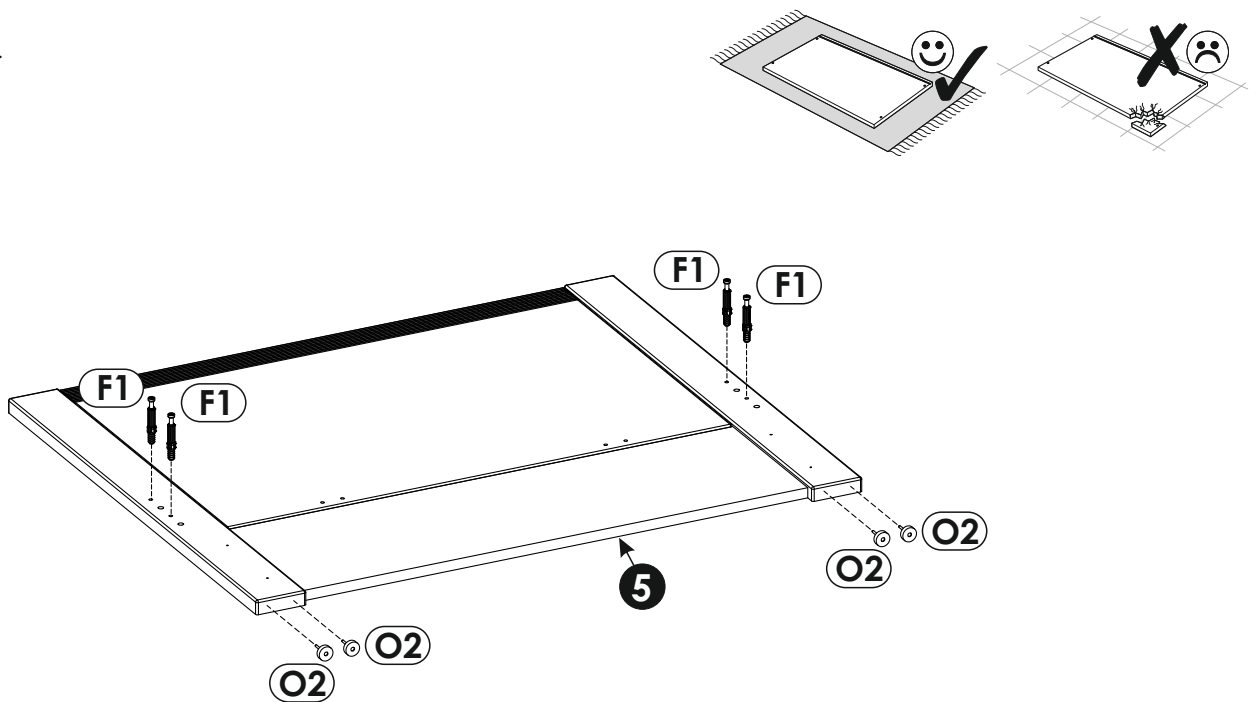
8	2005	220	16 x1	1/3
9	1995	220	16 x1	1/3
10	816	100	16 x1	3/3
11	816	100	16 x1	3/3
12	1916	100	16 x1	3/3
13	1948	816	16 x1	3/3



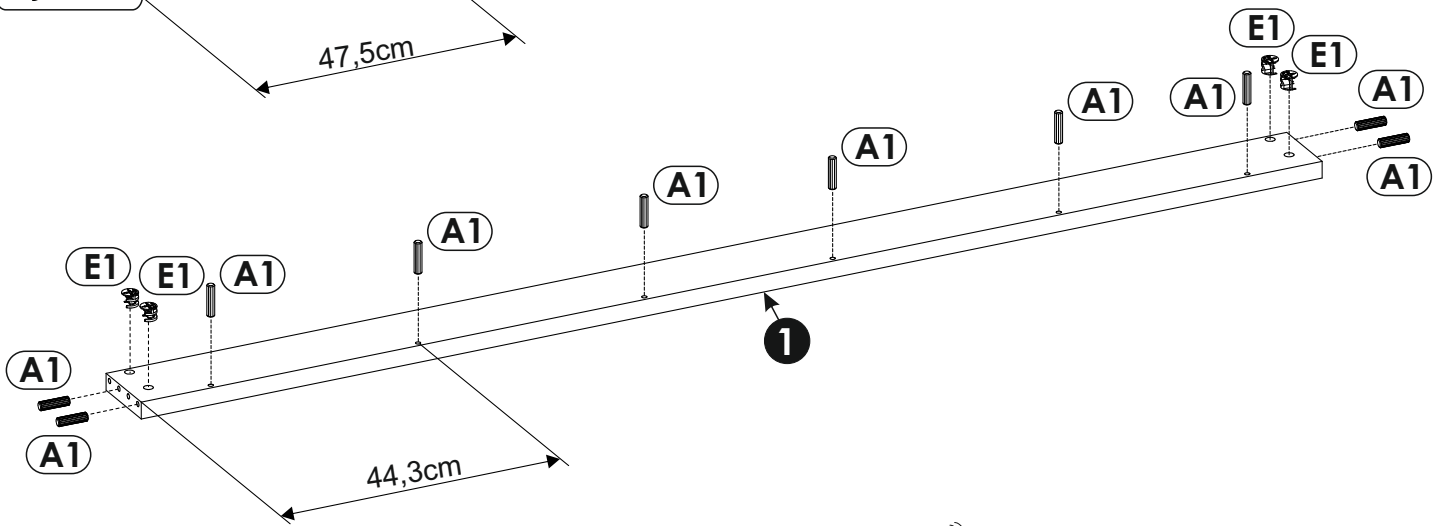
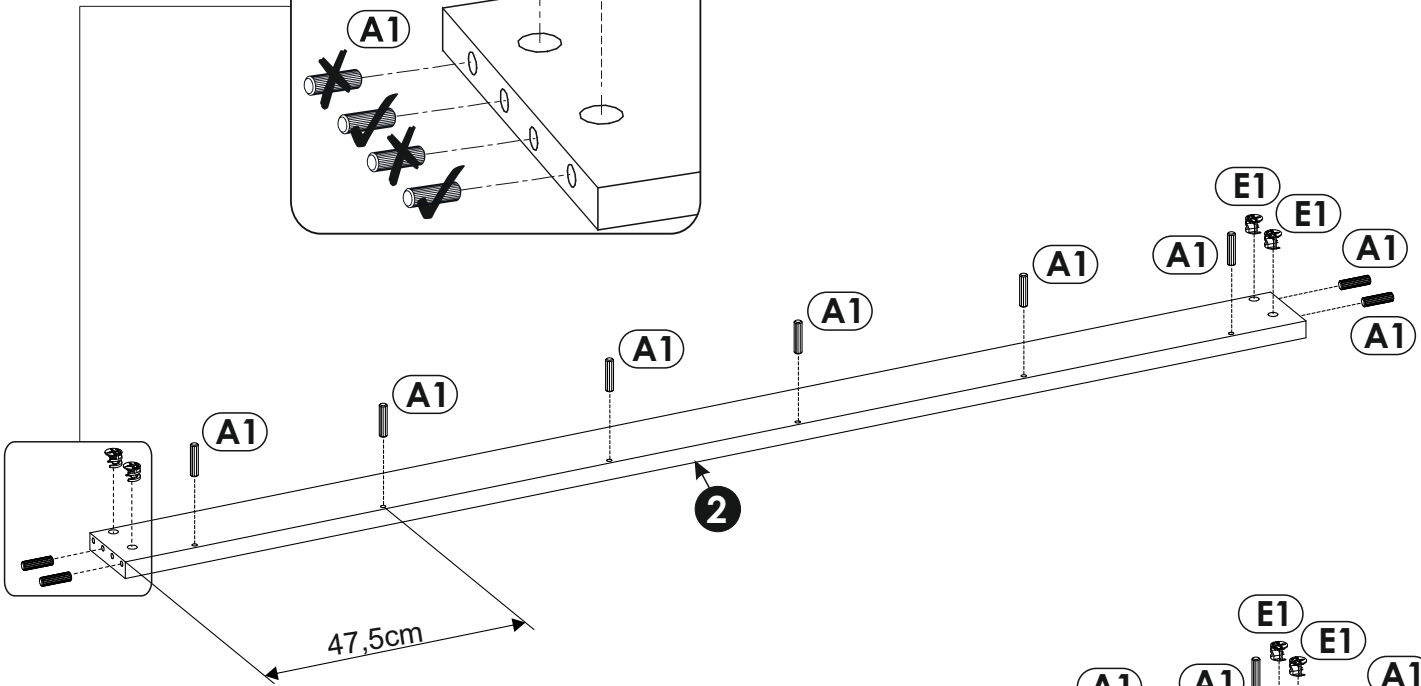
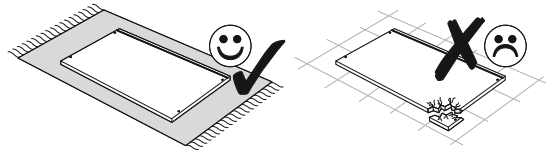
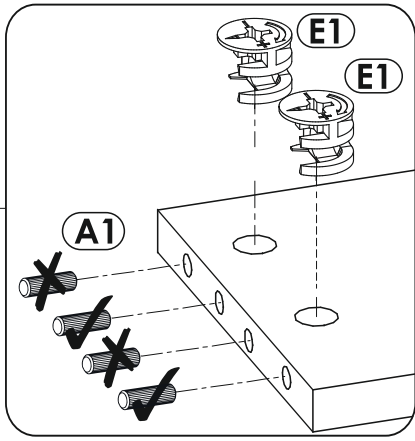
1 ▶



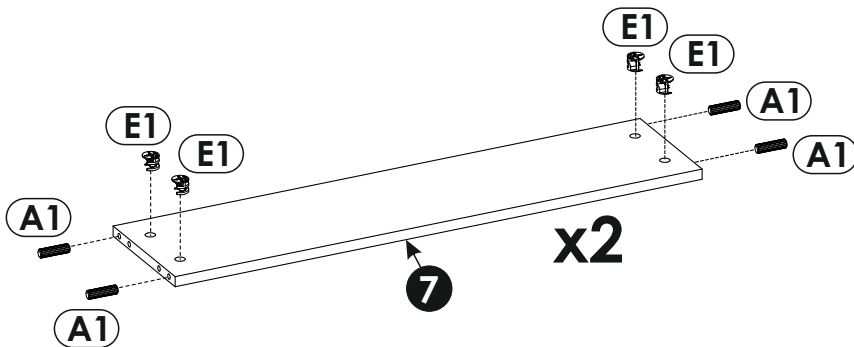
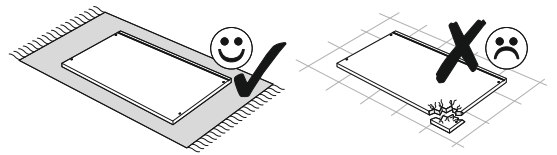
2 ▶



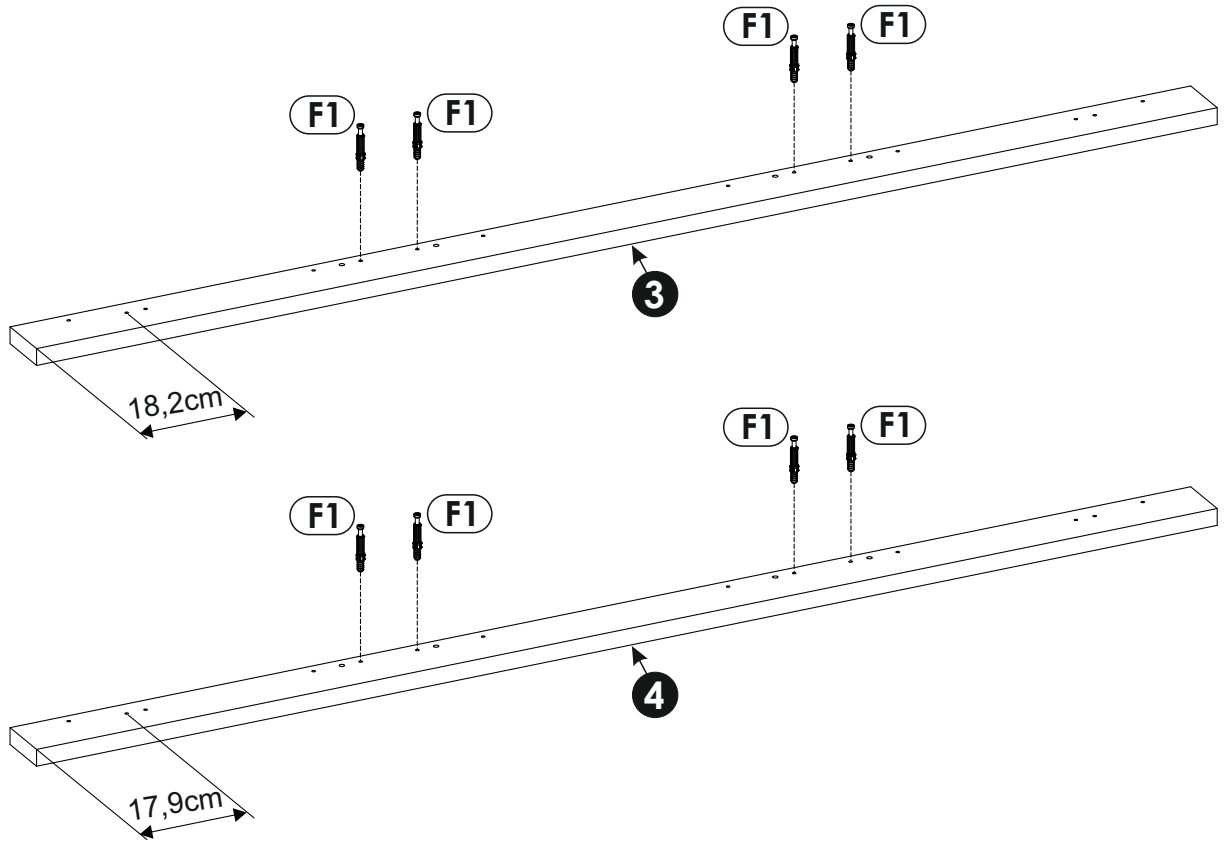
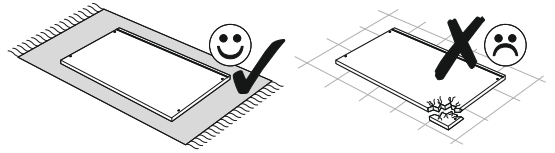
3 ▶



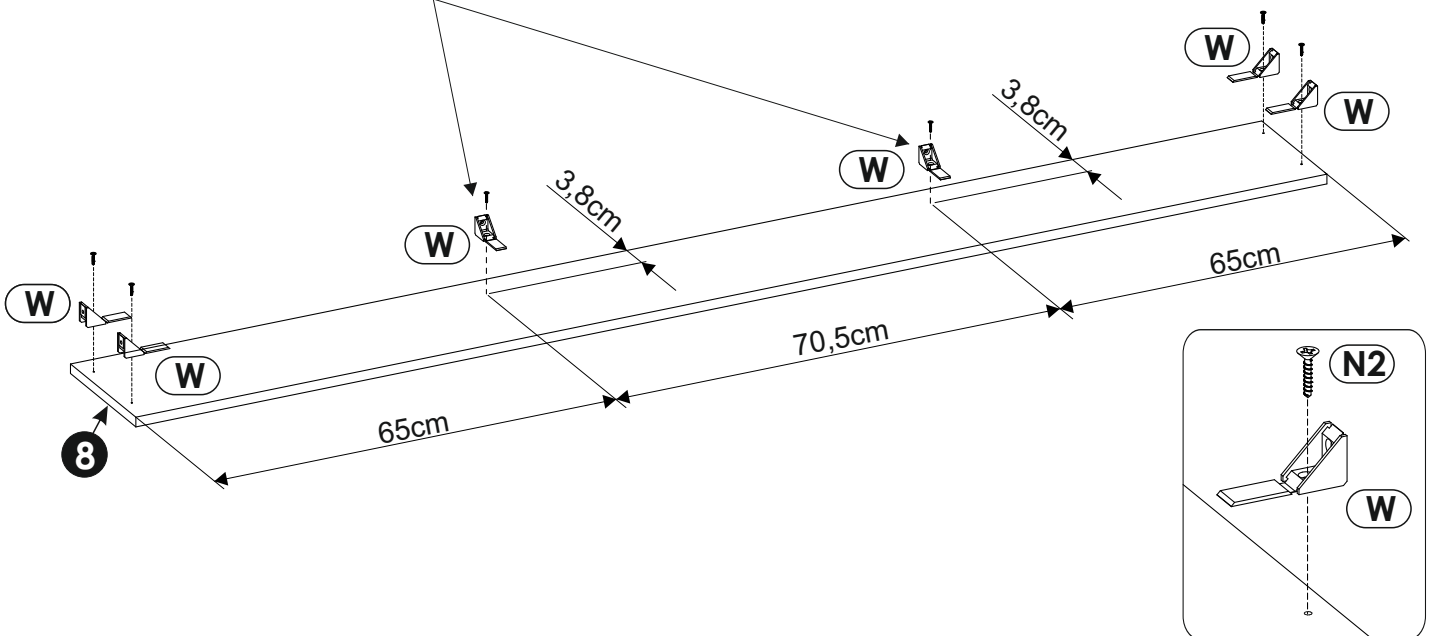
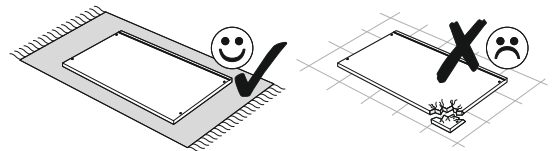
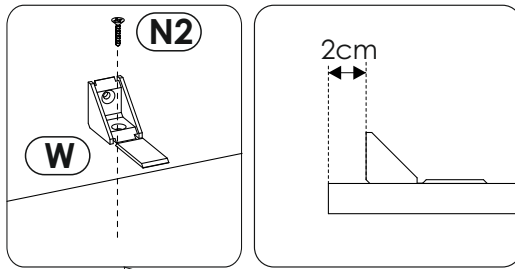
4 ▶



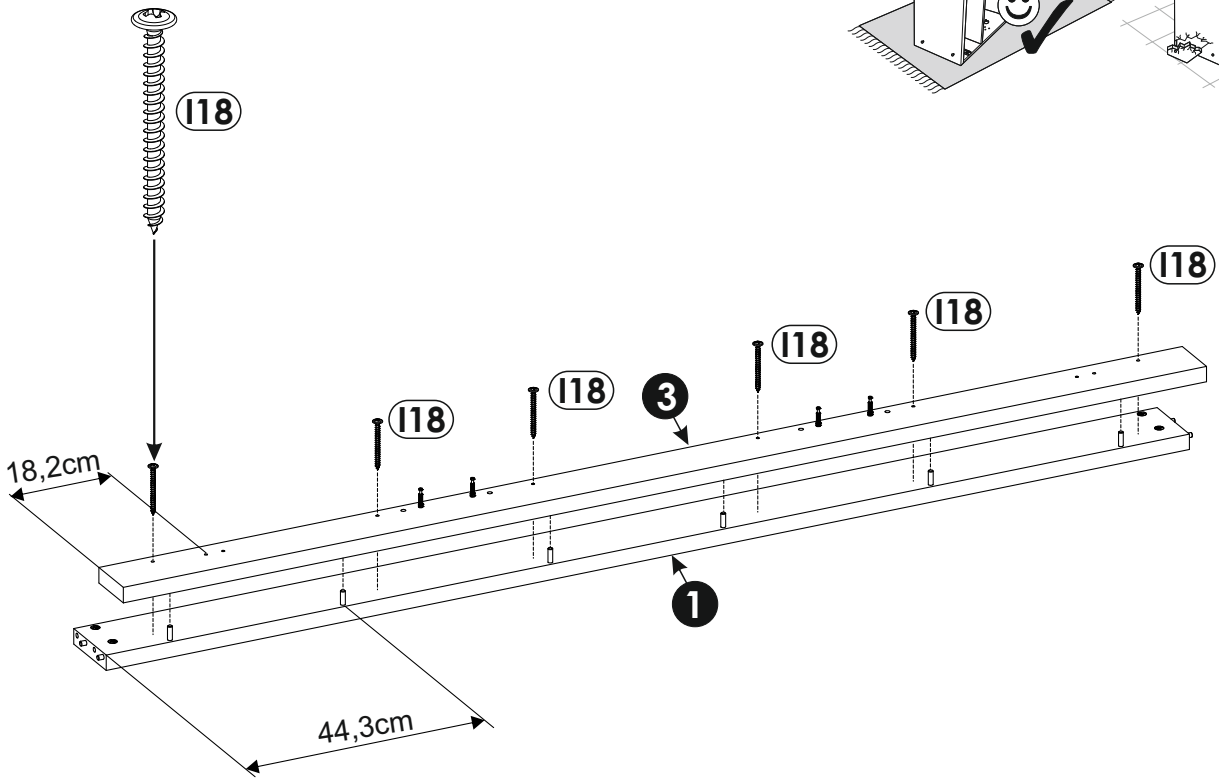
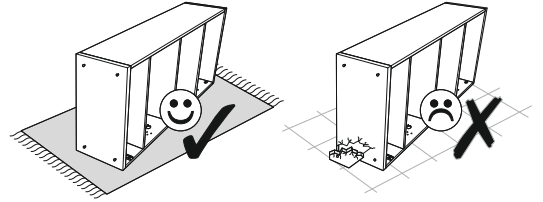
5 ▶



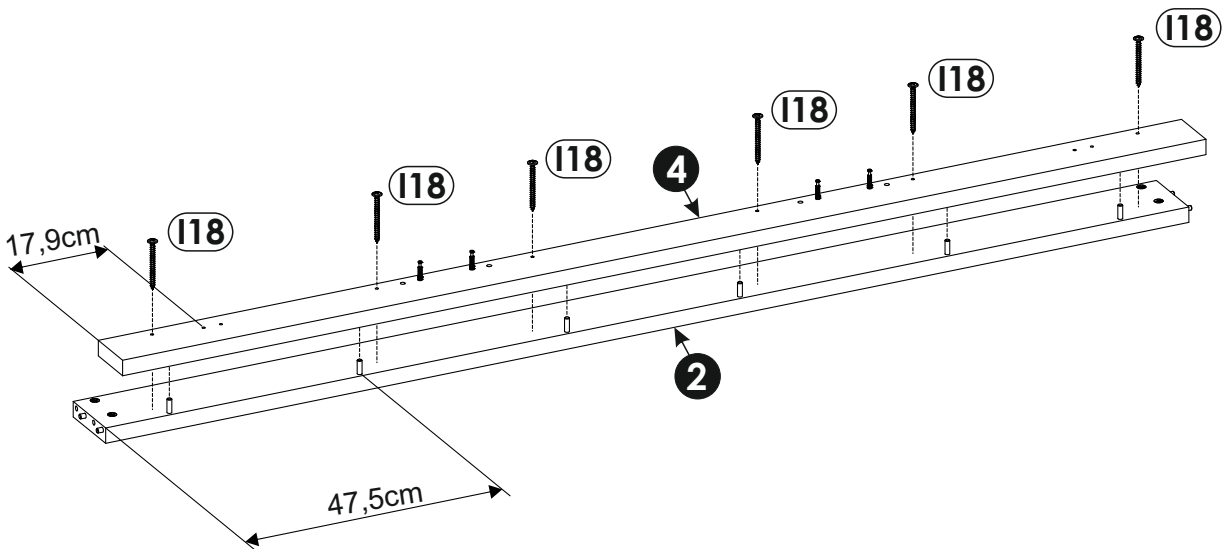
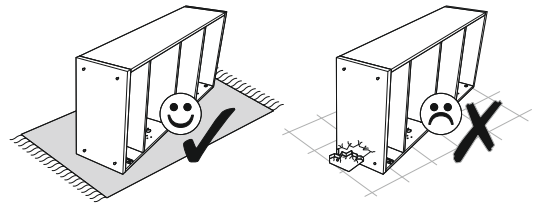
6 ▶



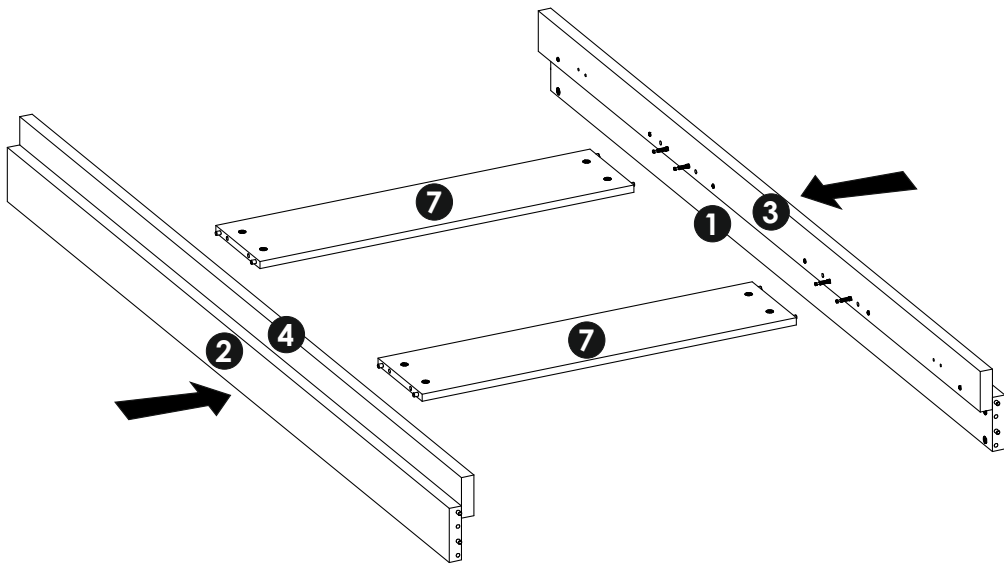
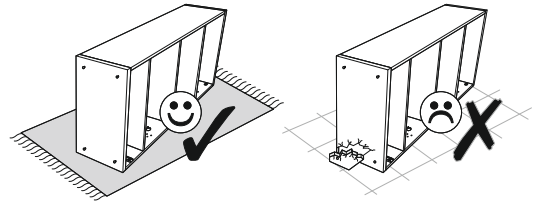
7 ▶



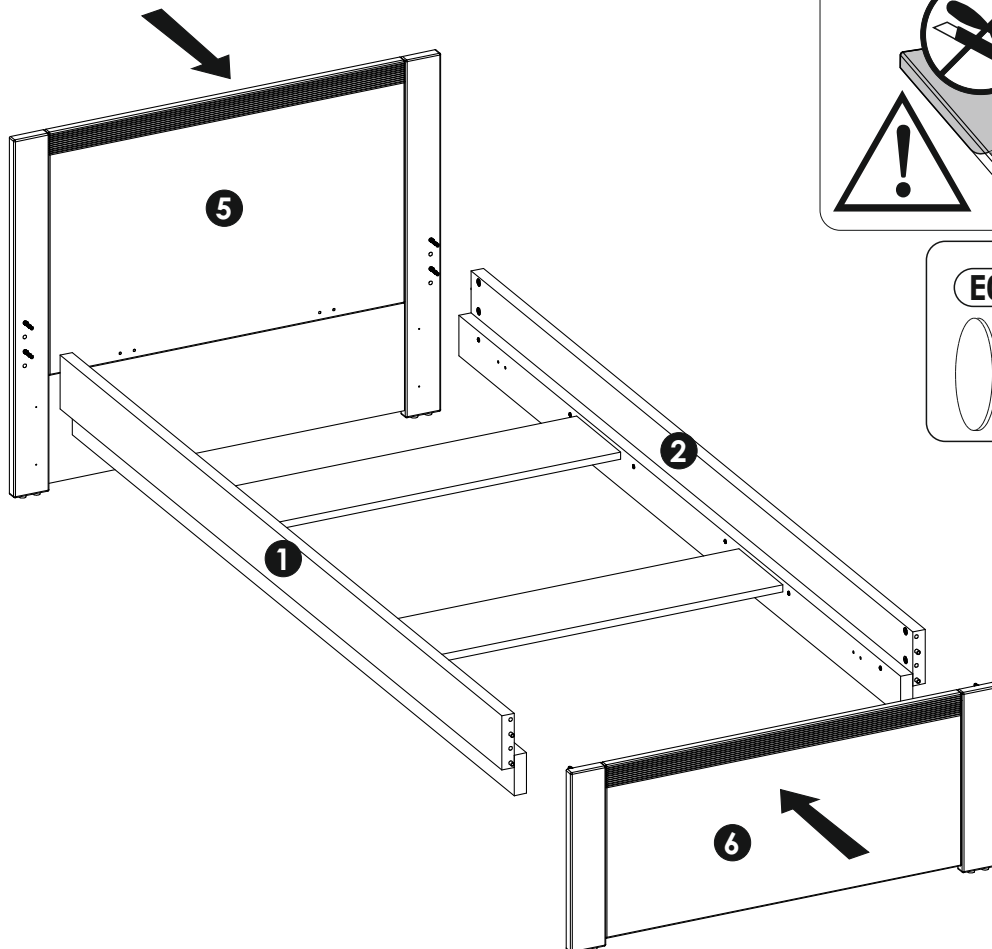
8 ▶



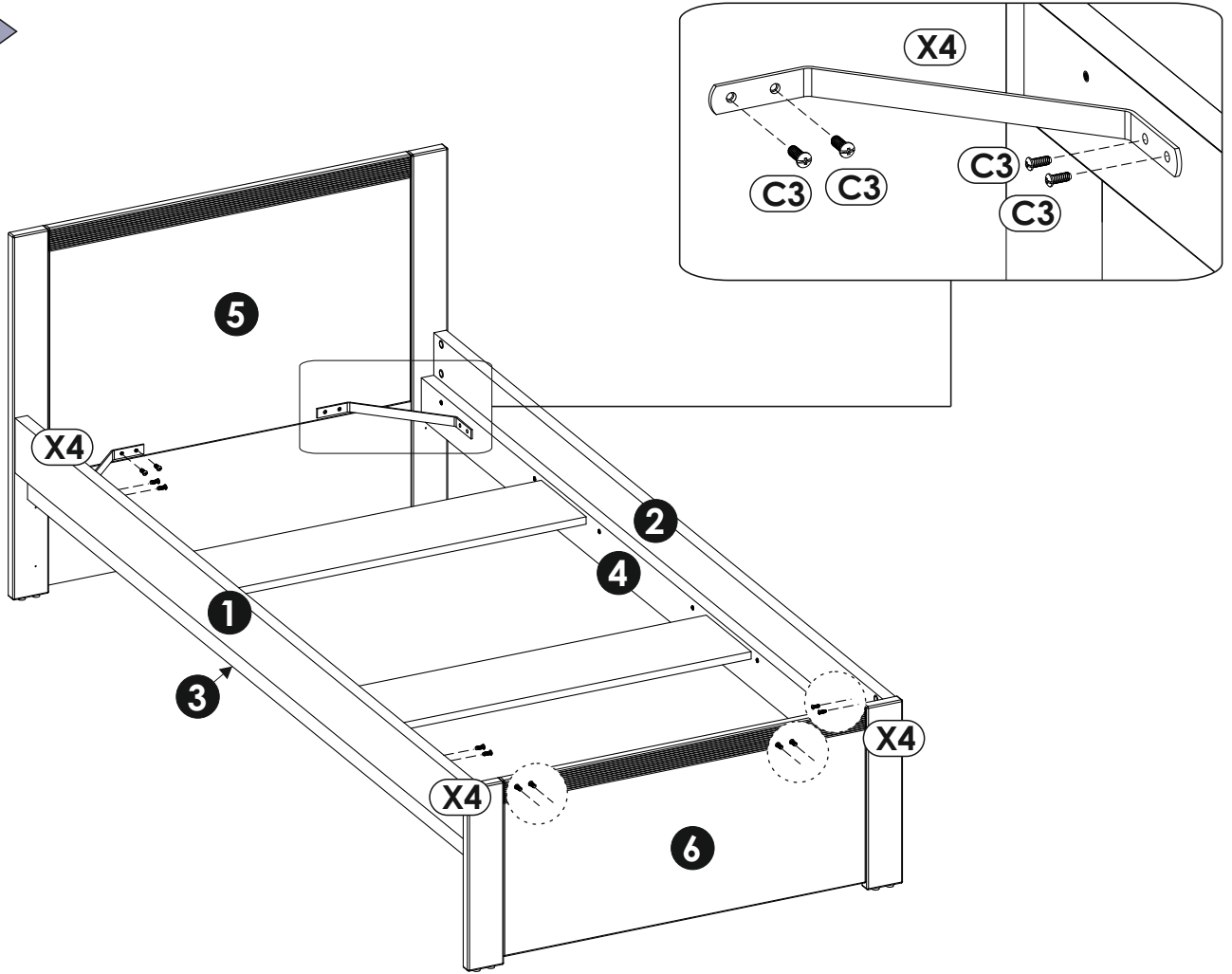
9 ▶



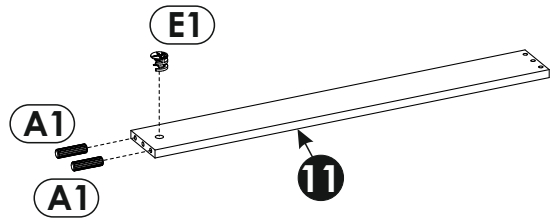
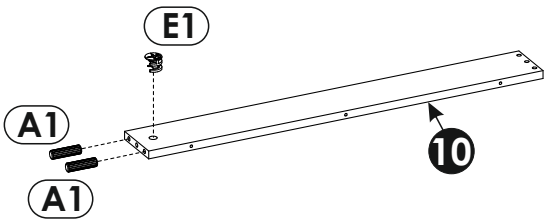
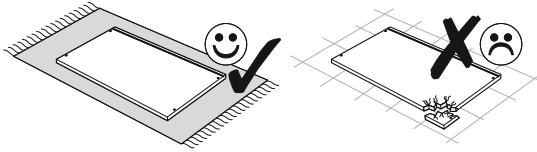
10 ▶



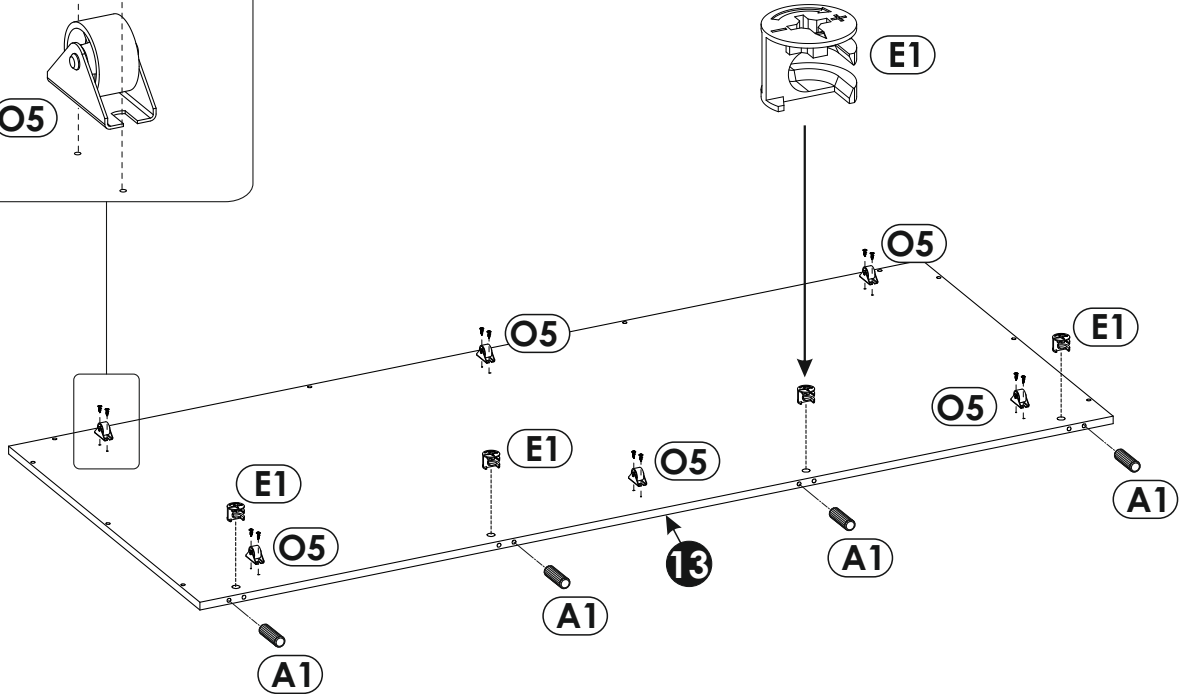
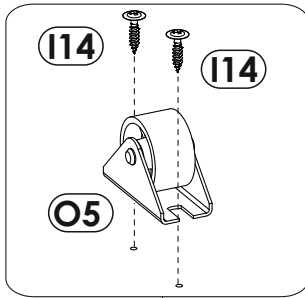
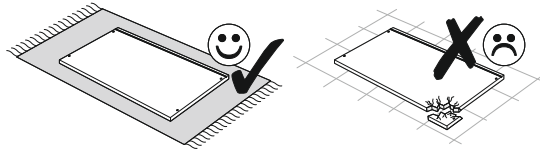
11 ▶



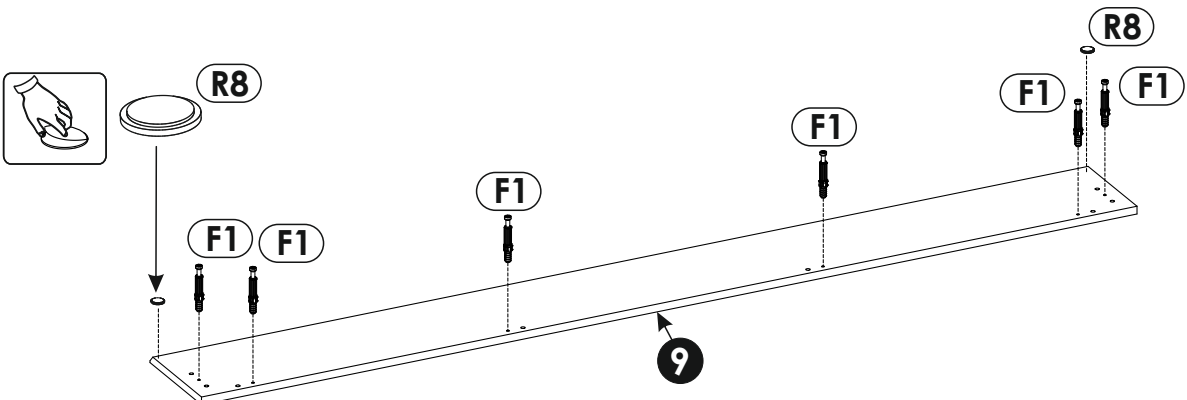
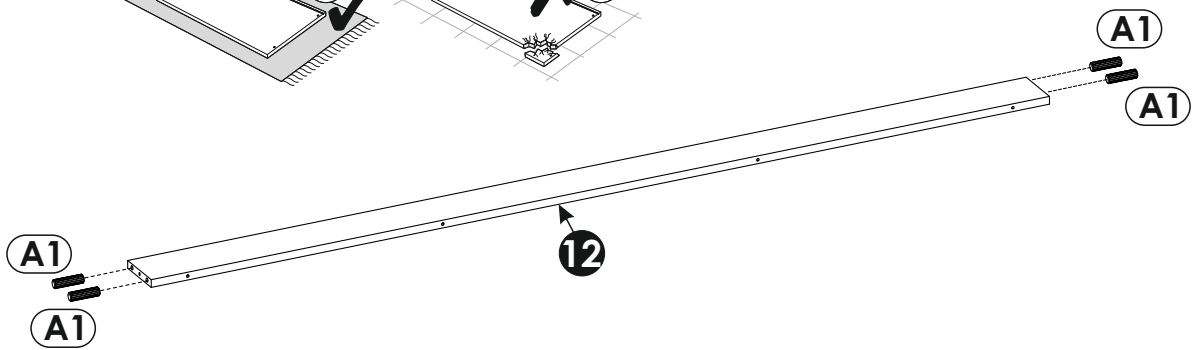
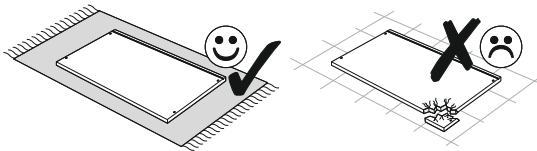
12 ▶



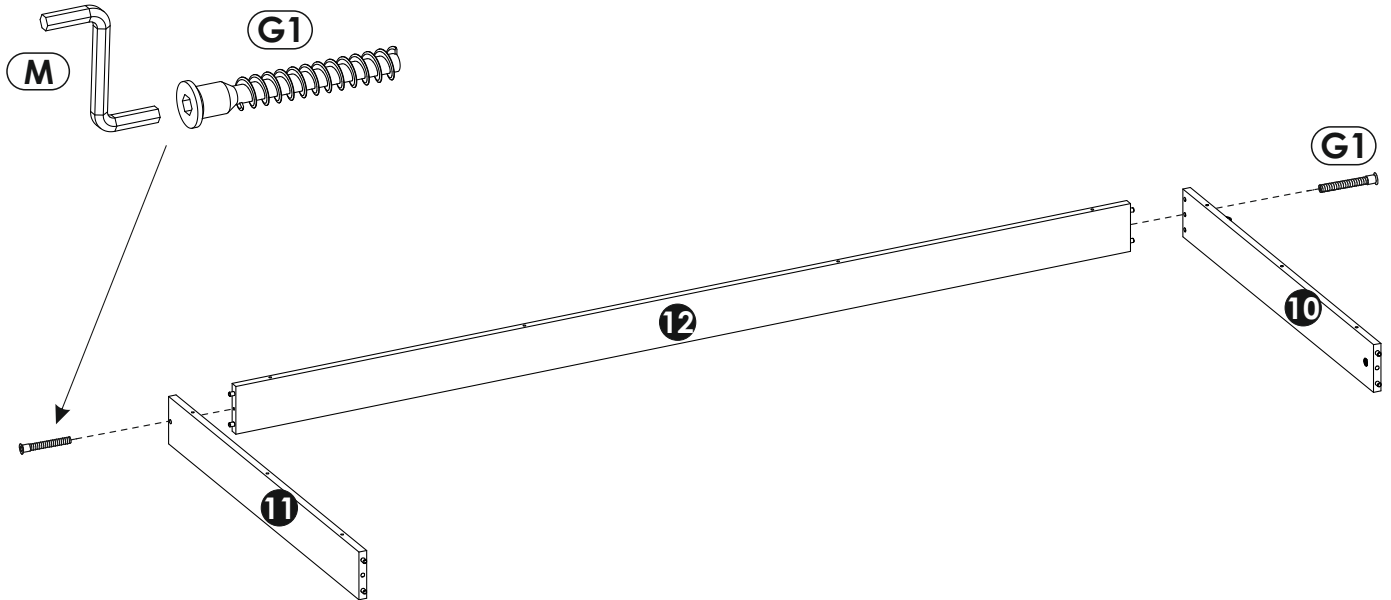
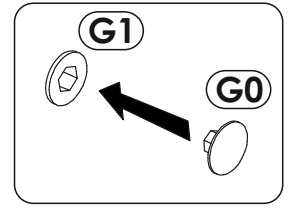
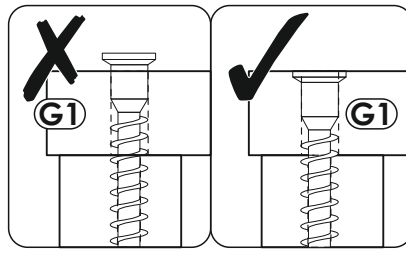
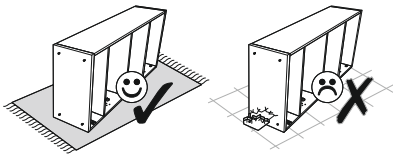
13▶



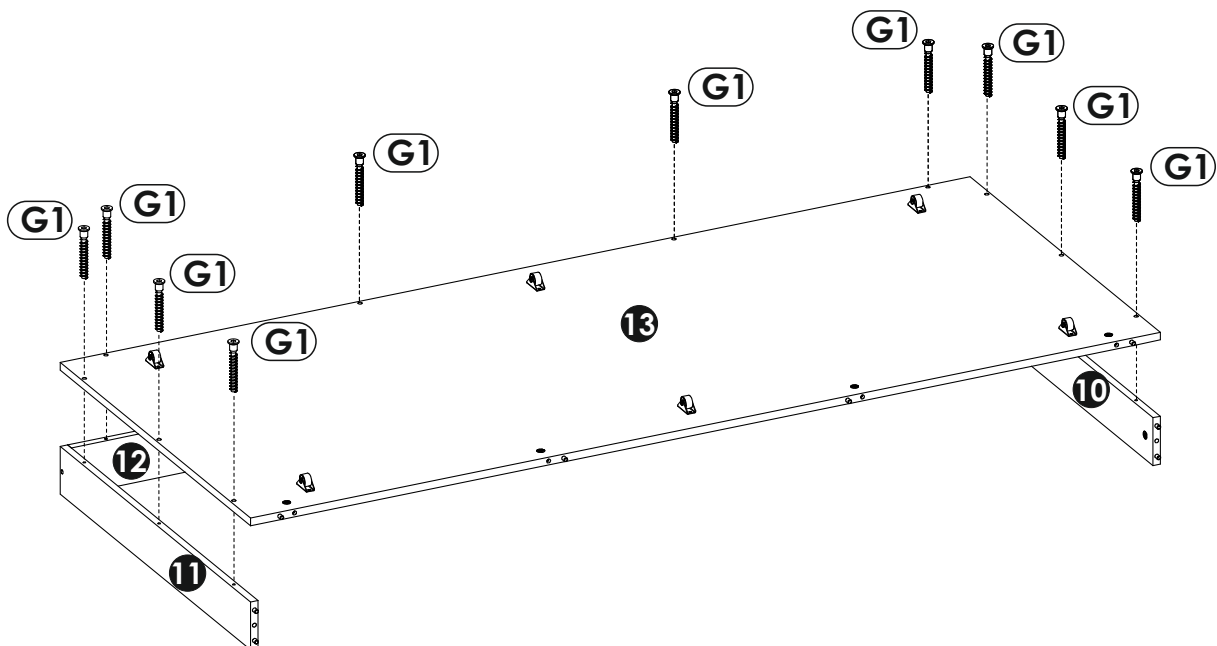
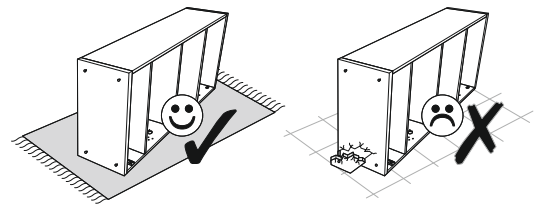
14▶



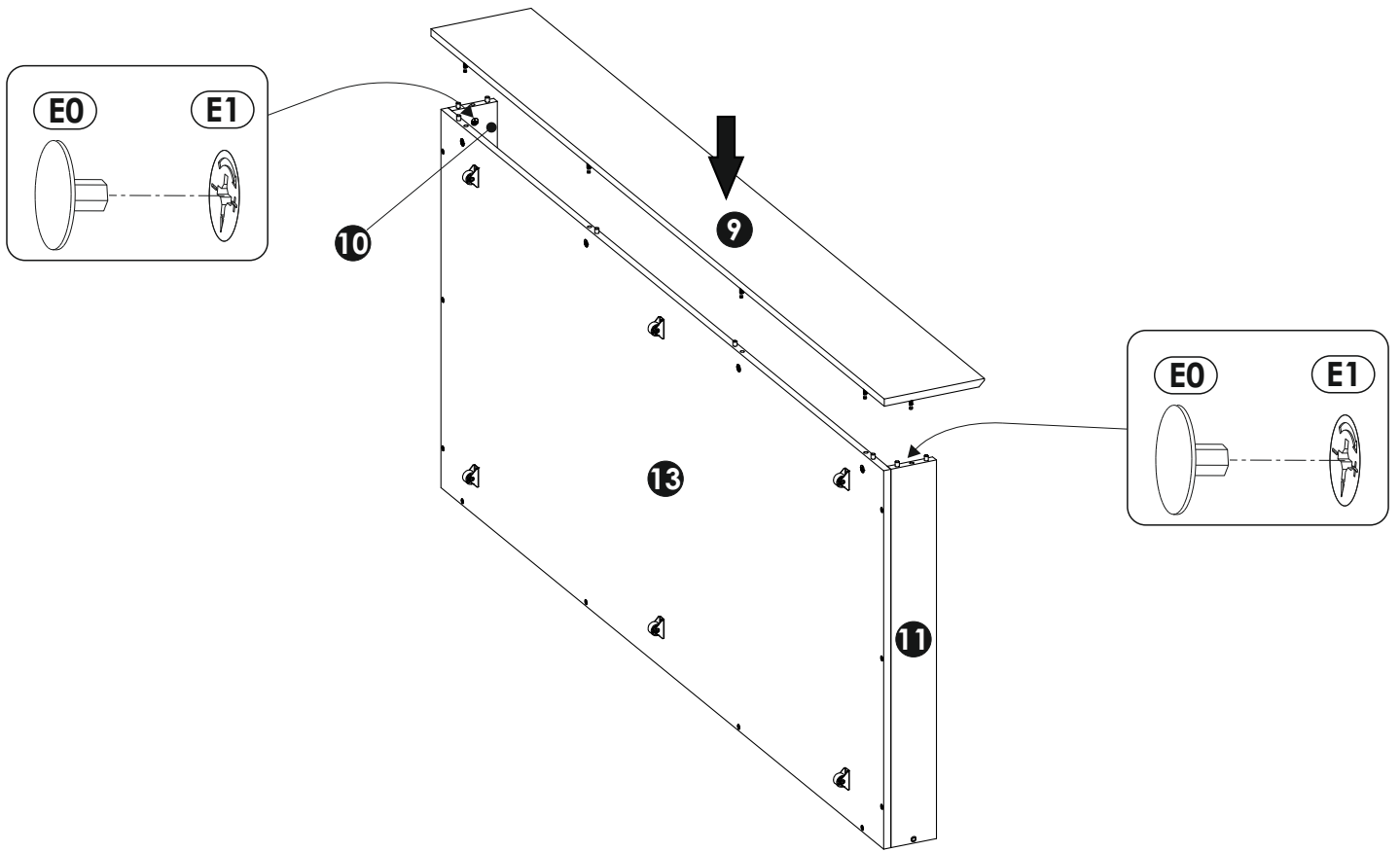
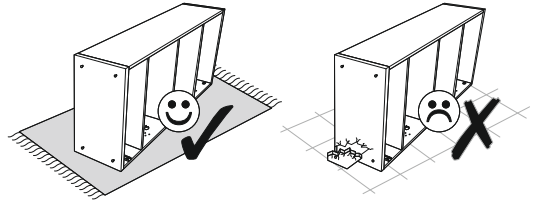
15 ▶



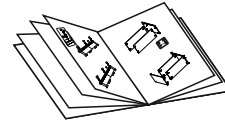
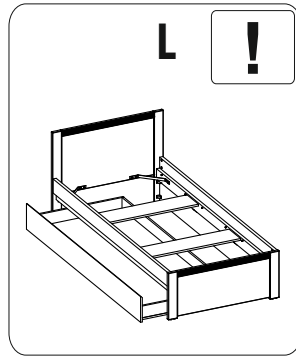
16 ▶



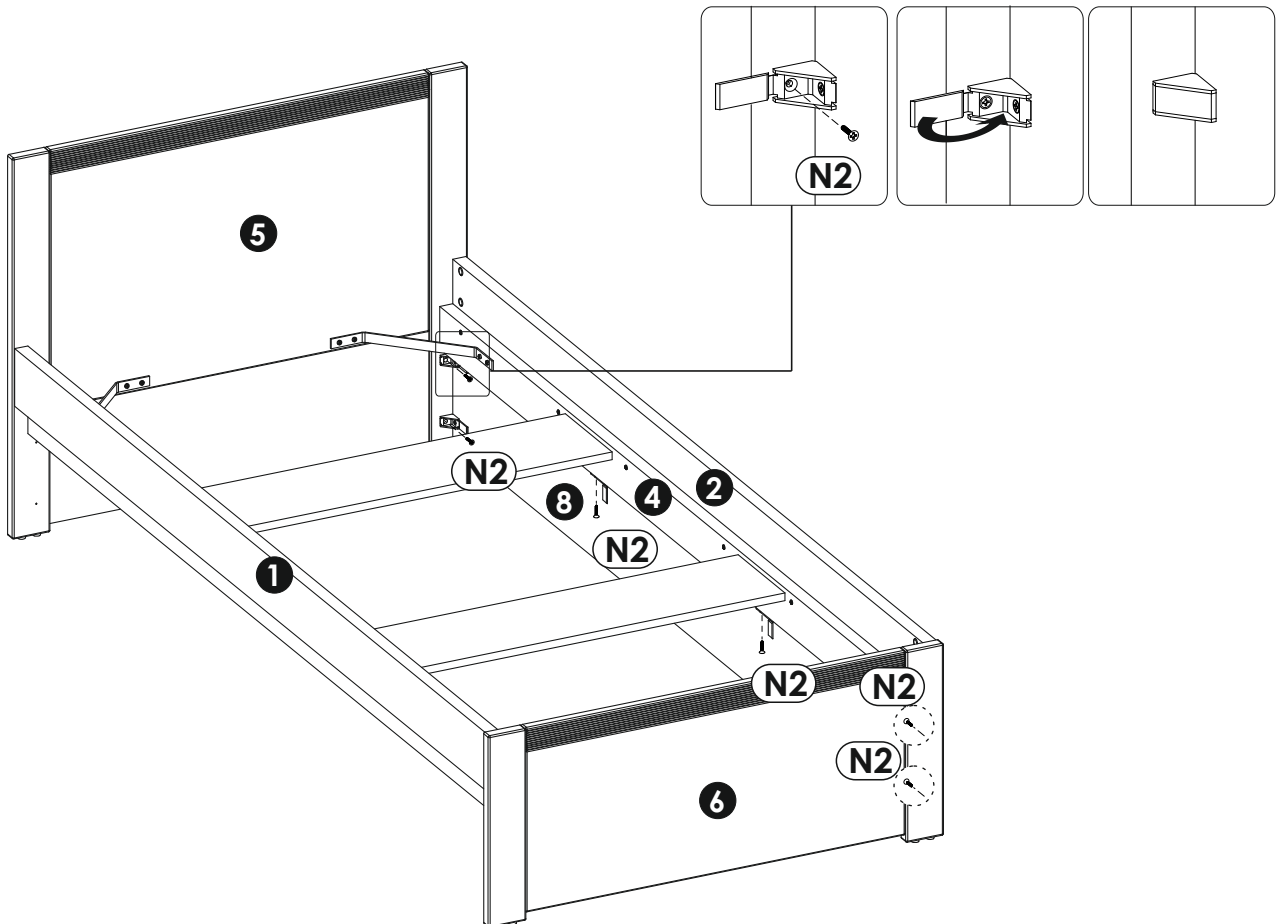
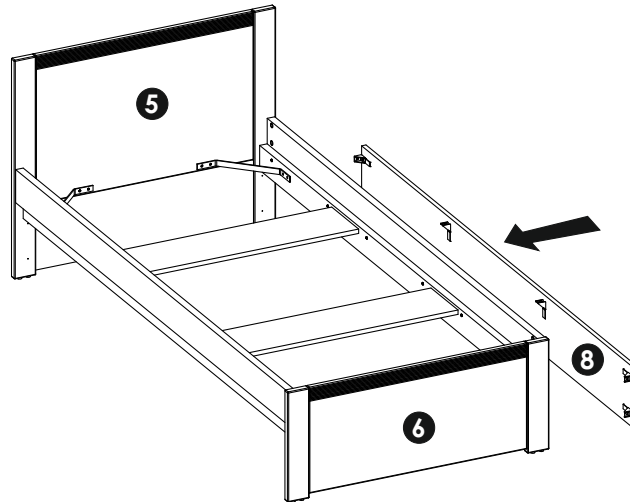
17▶



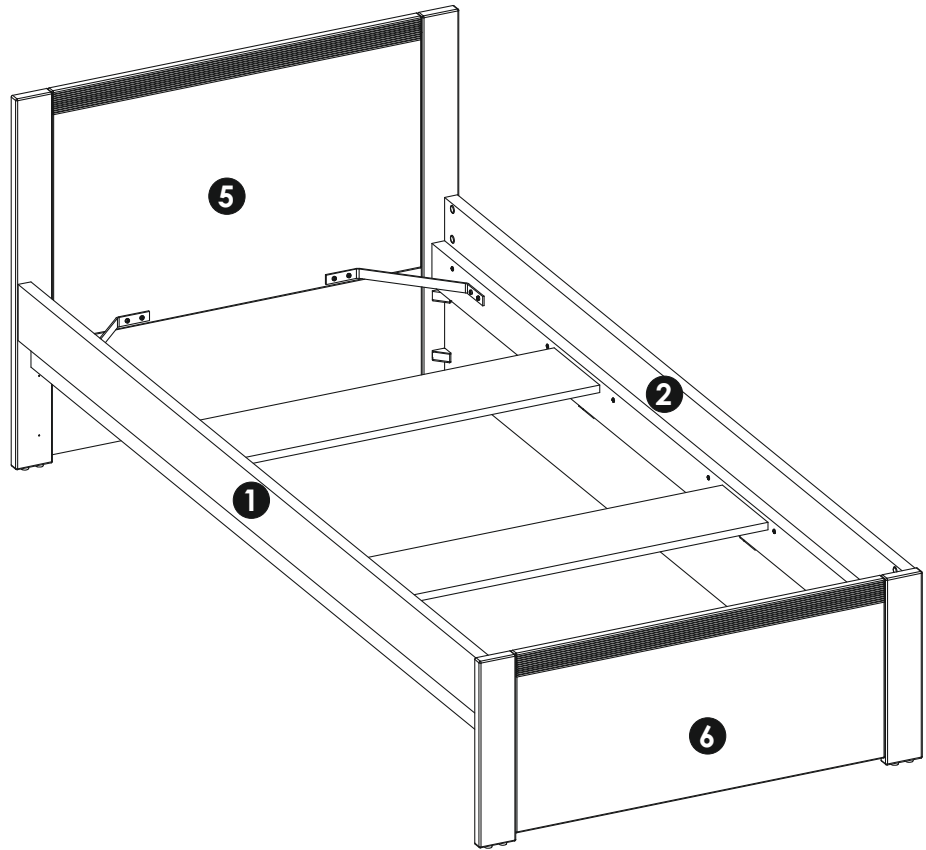
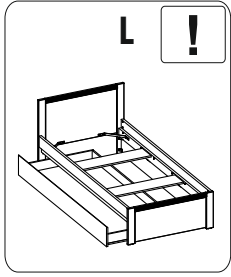
18▶



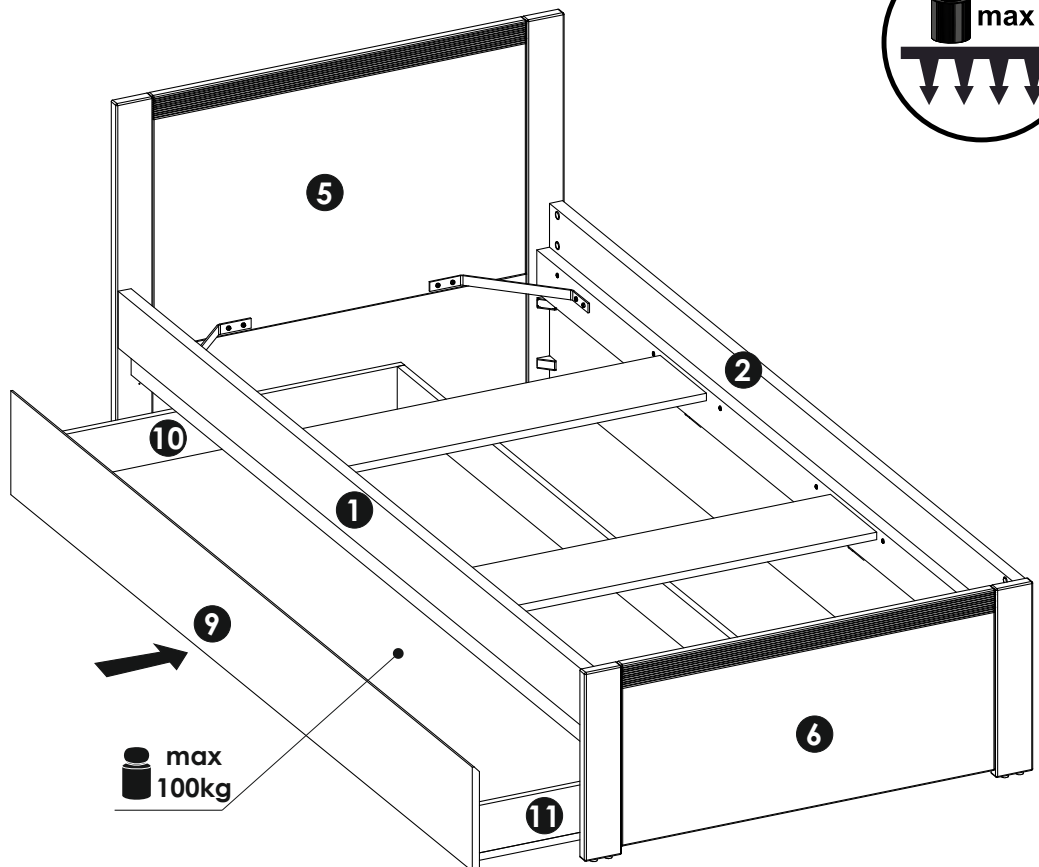
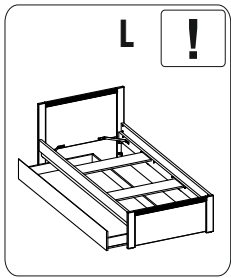
18-20



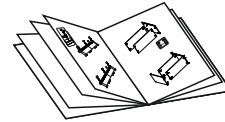
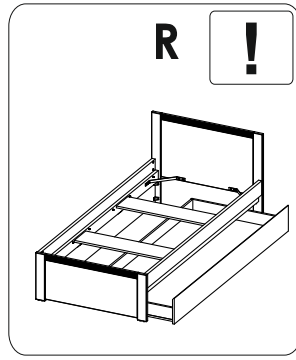
19 ▶



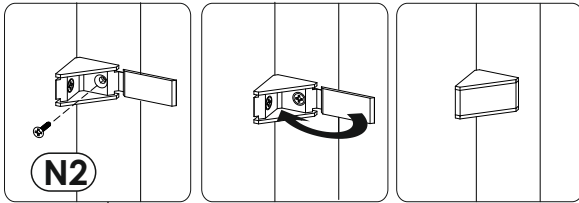
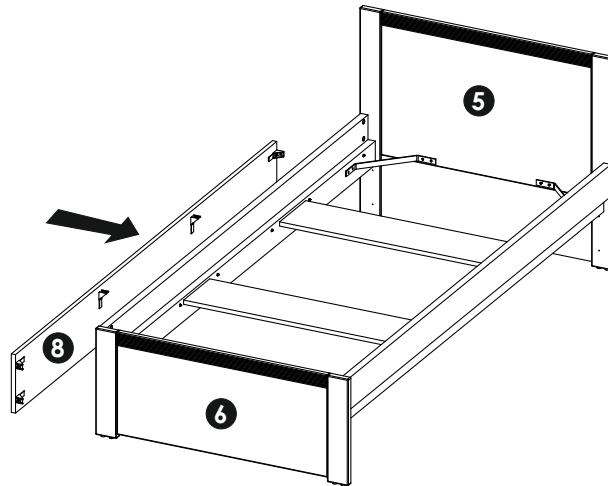
20 ▶



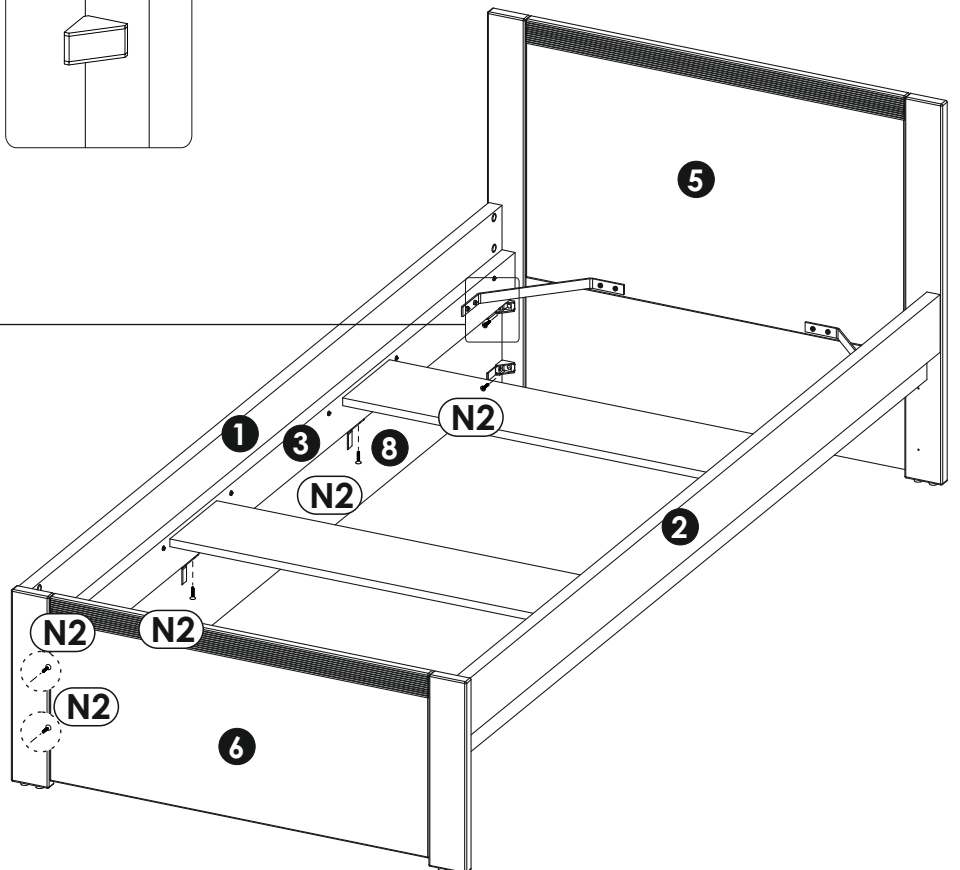
21 ▶



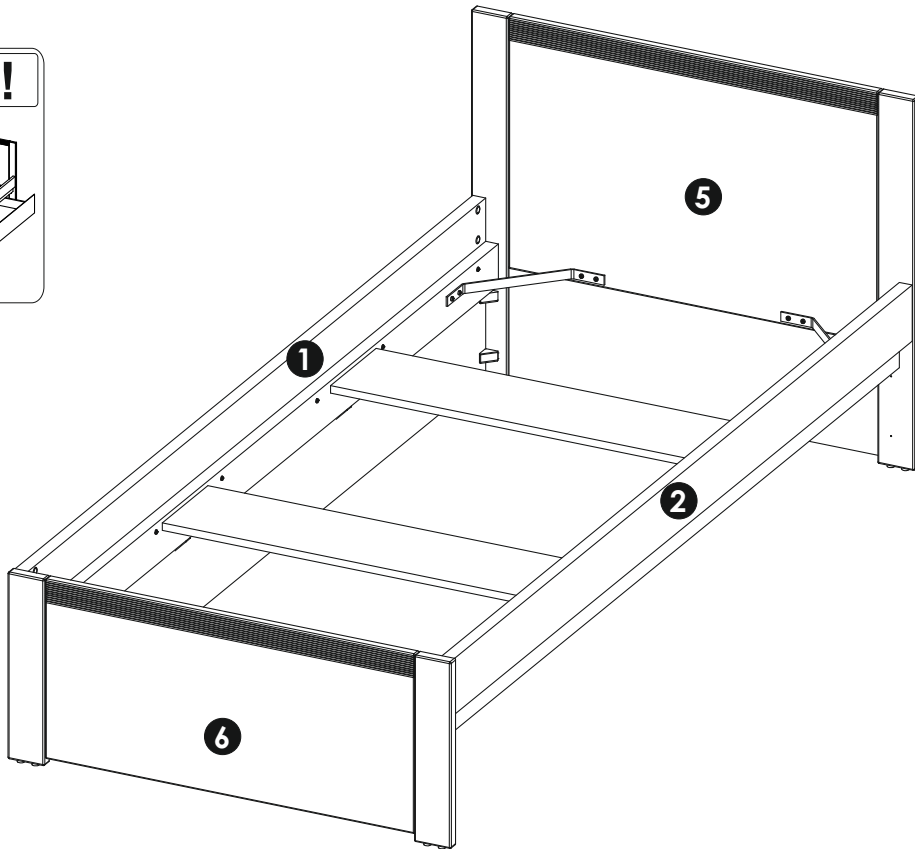
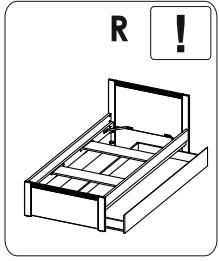
21-23



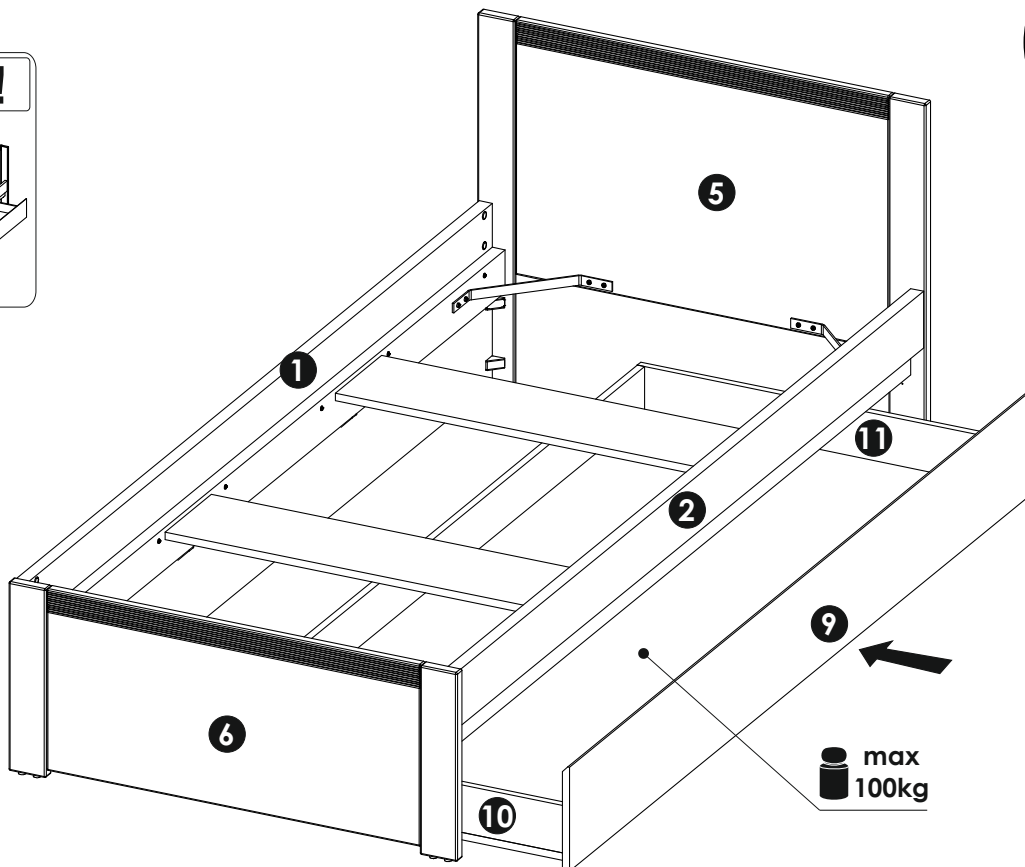
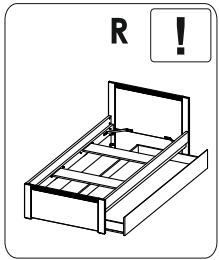
N2



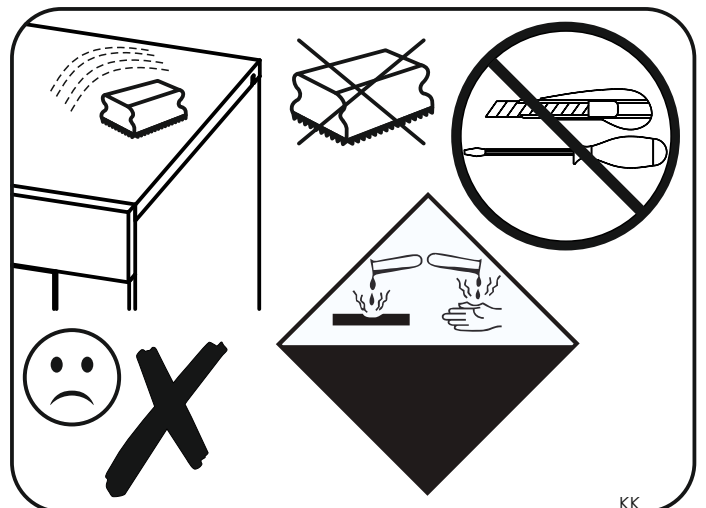
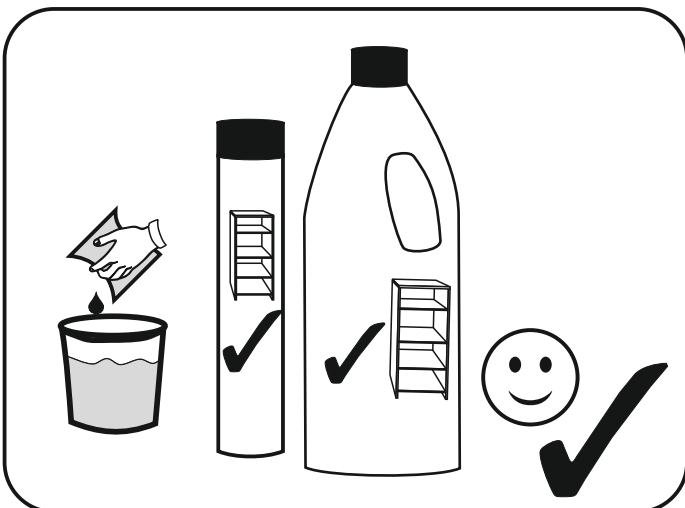
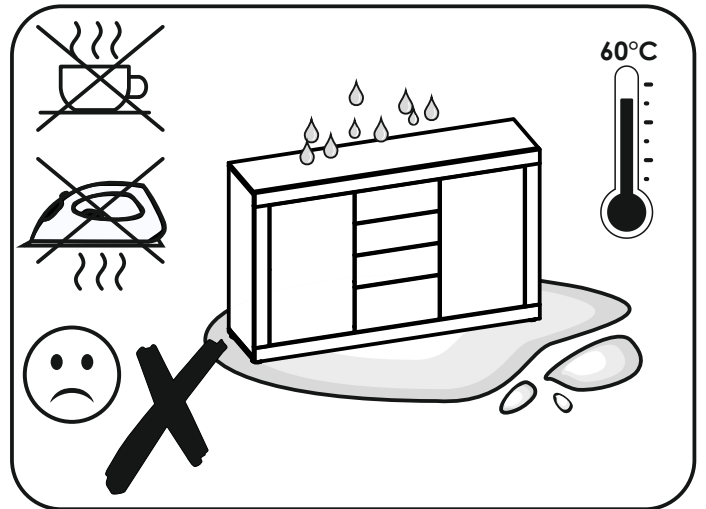
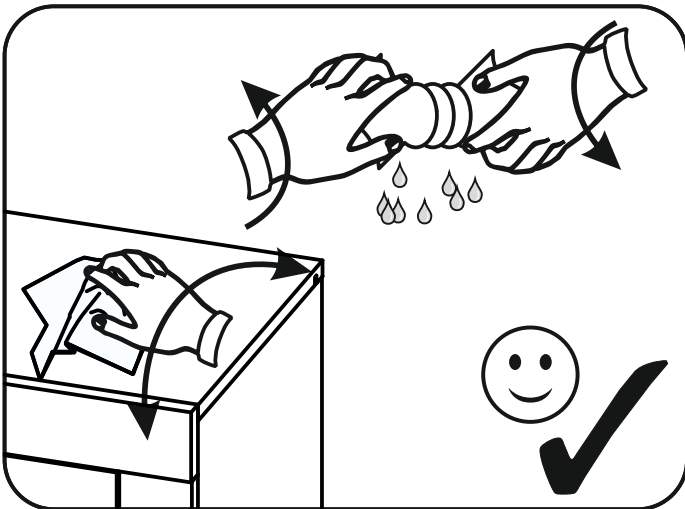
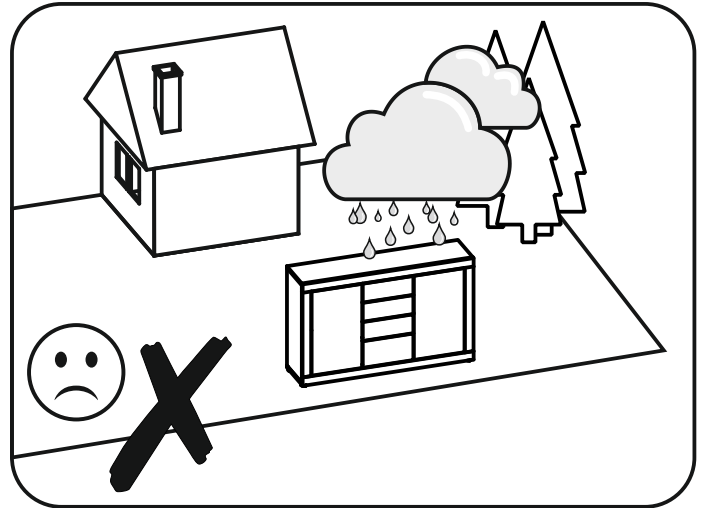
22 ▶



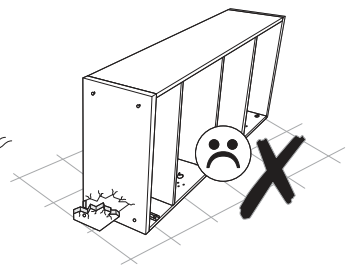
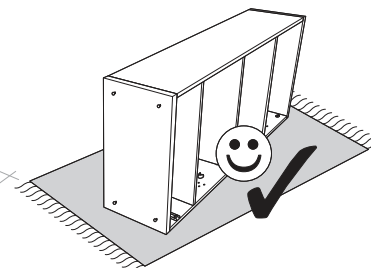
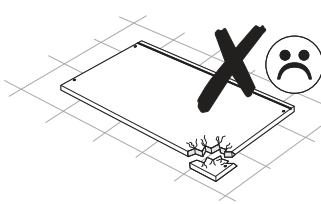
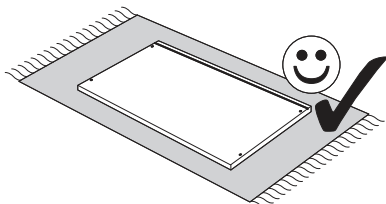
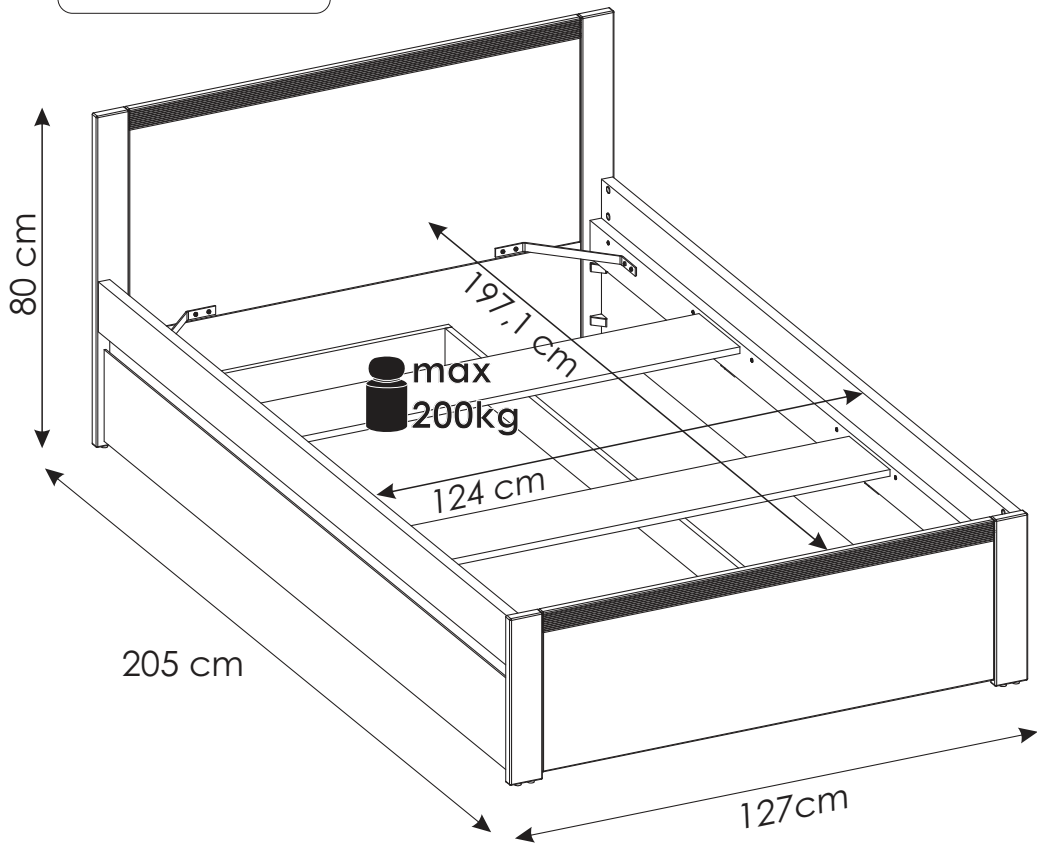
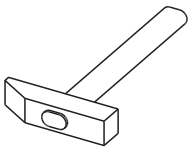
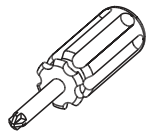
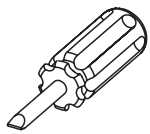
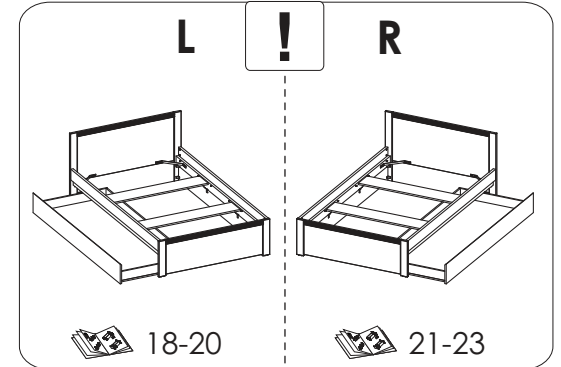
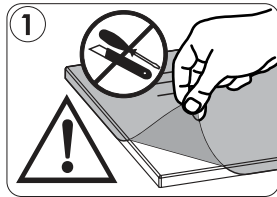
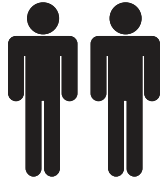
23 ▶

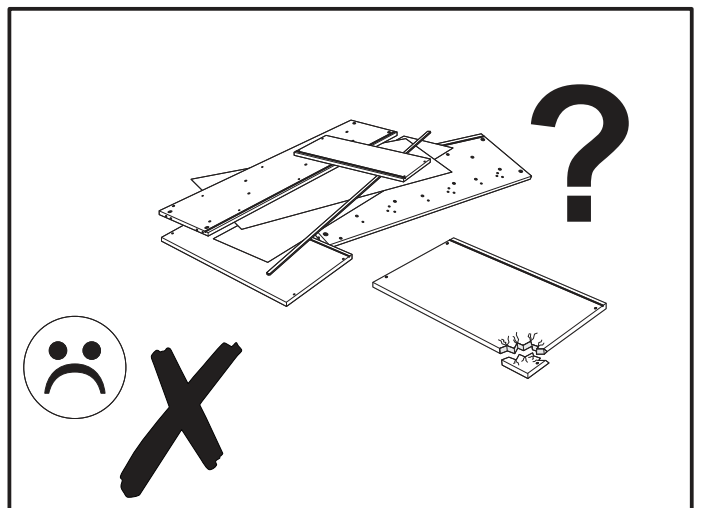
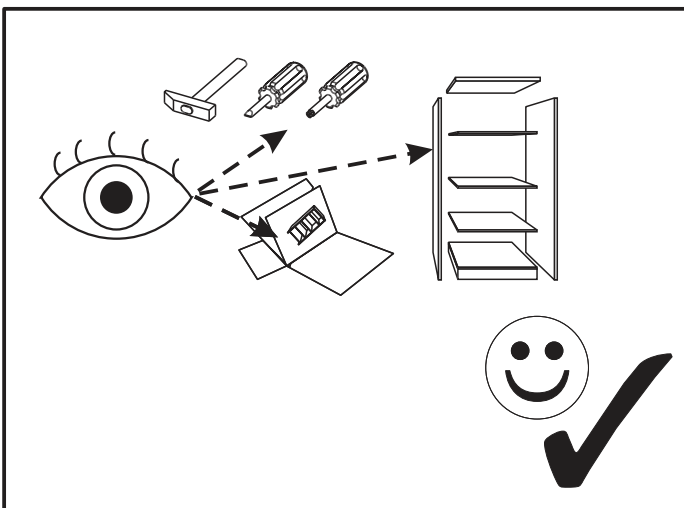
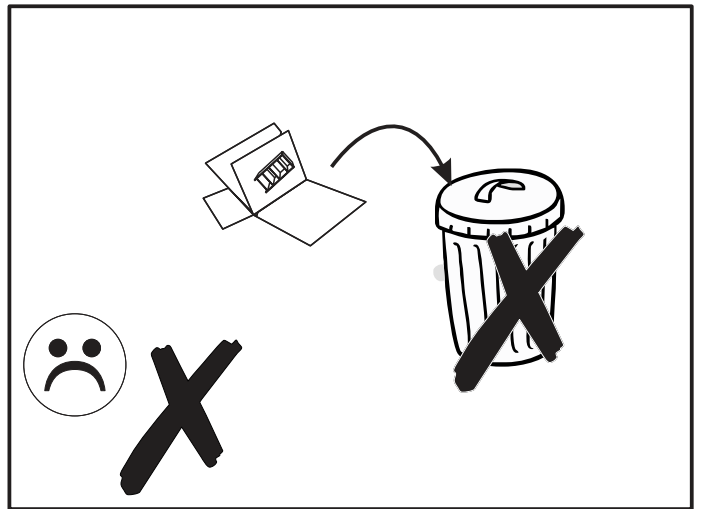
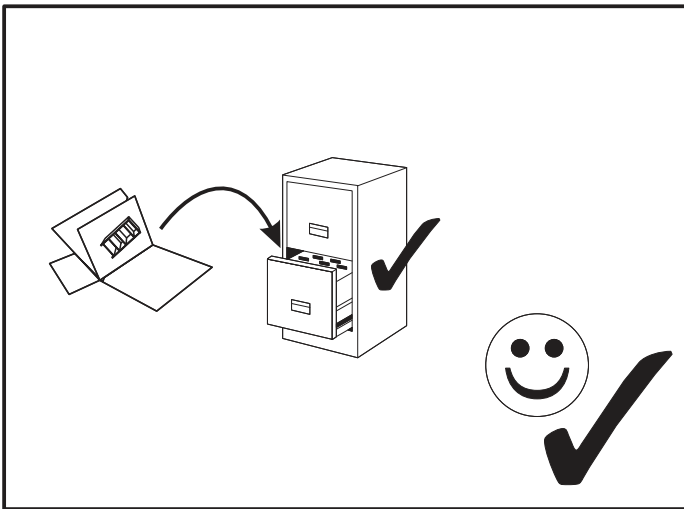
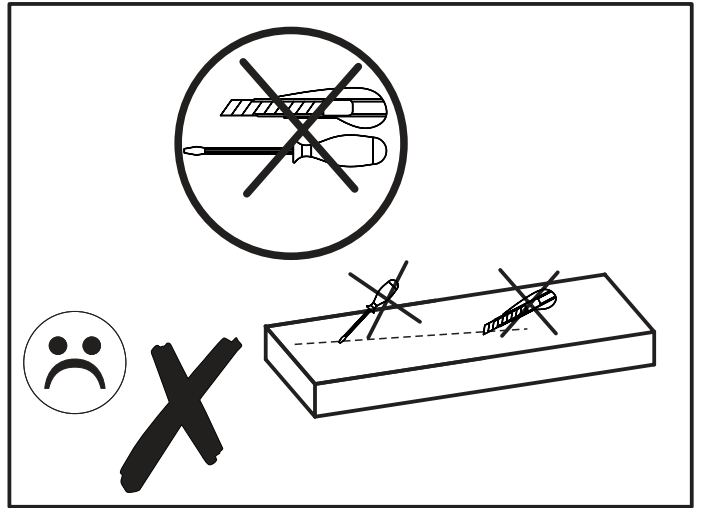
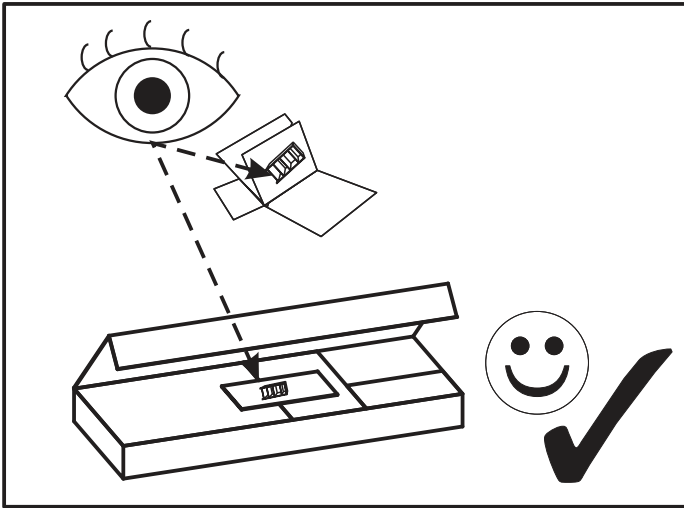


max
100kg



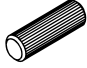



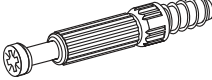



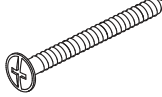
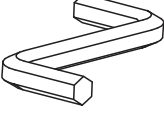
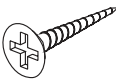
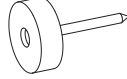


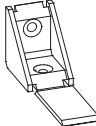

NVIZ02

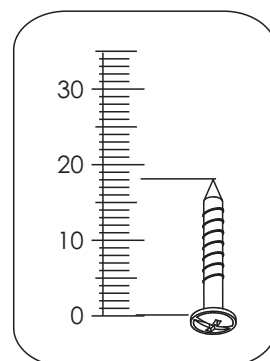




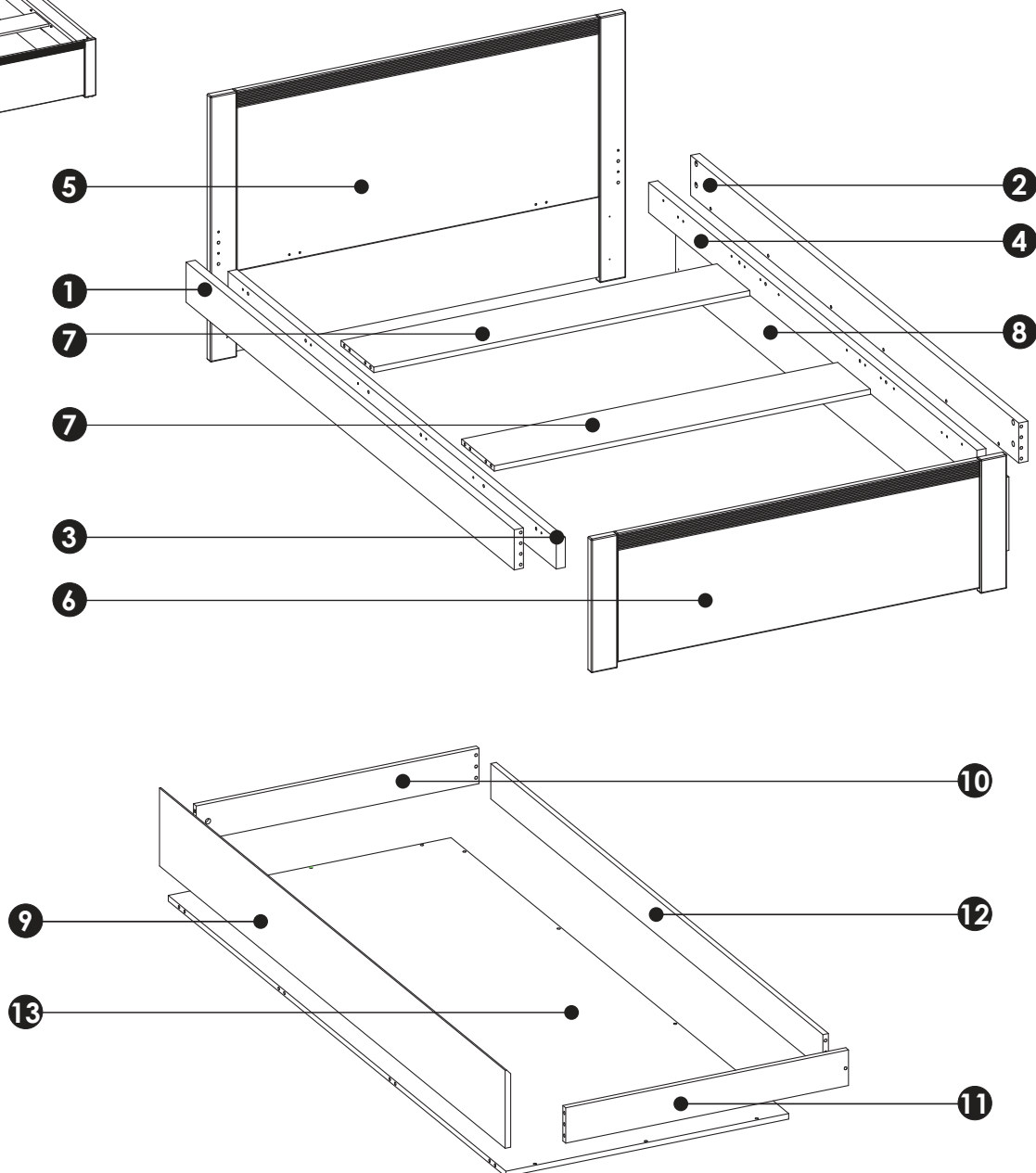
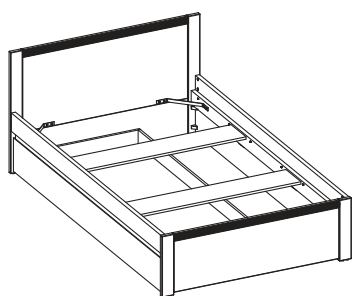
NVIZ02

MM

A1 8 x 35 mm x40 	C3 6,3 x 16 mm x16 	E0 x10 
E1 15 x 12 mm x22 	F1 6 x 34 mm x22 	G0 x2 
G1 7 x 50 mm x12 	I14 3 x 13 mm x12 	I18 4 x 45 mm x12 
M x1 	N2 3,5 x 16 mm x12 	O2 x8 
O5 x6 	R8 x2 	W x6 
X4 x4 		

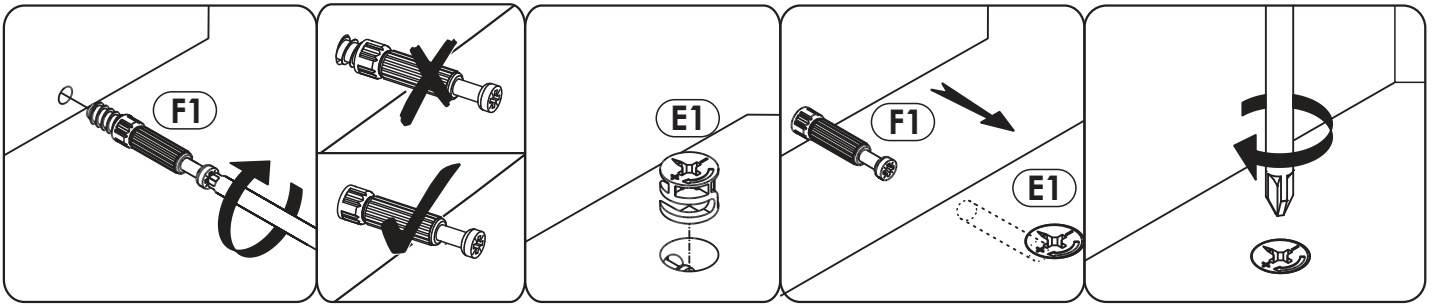


NVIZ02

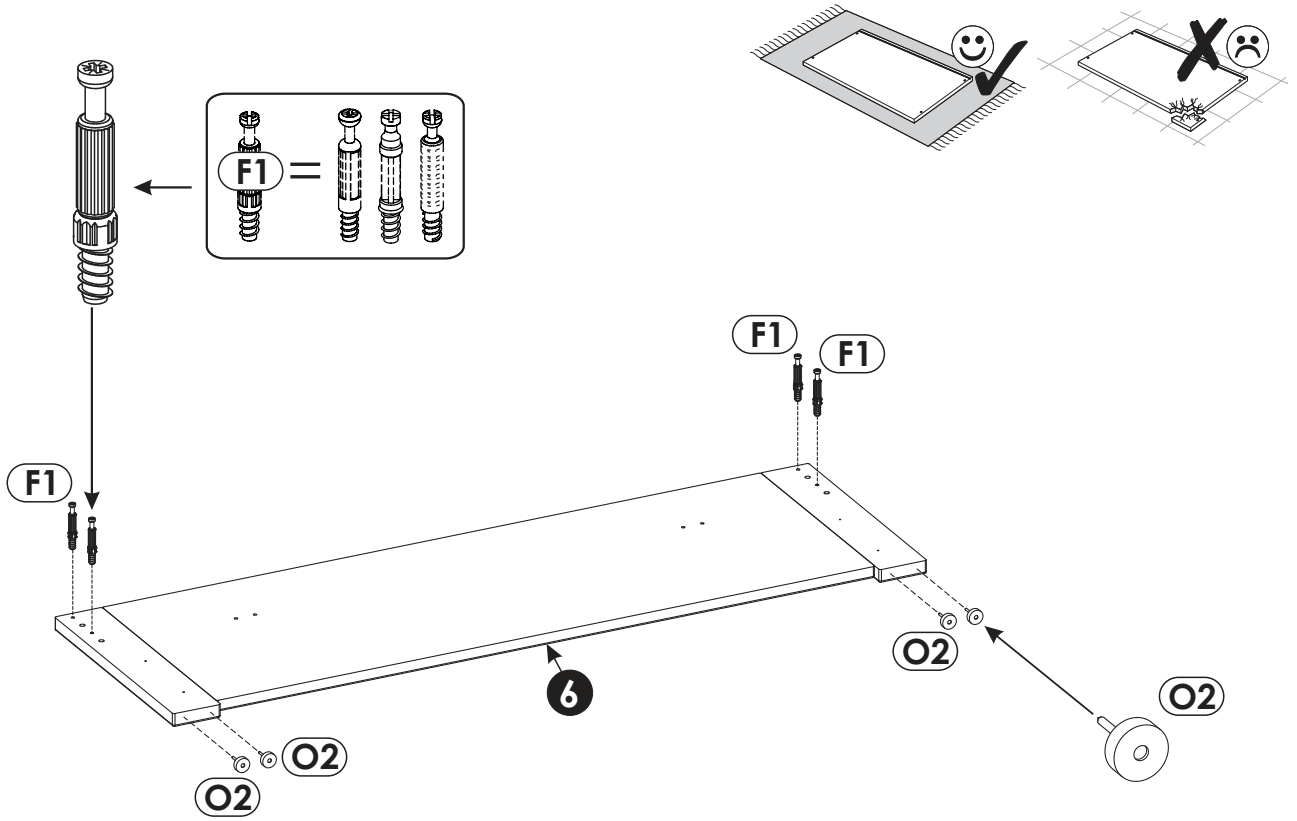


1	2005	120	28 x1	1/3
2	2005	120	28 x1	1/3
3	2005	90	28 x1	1/3
4	2005	90	28 x1	1/3
5	1269	795	22 x1	2/3
6	1269	400	22 x1	2/3
7	1149	200	16 x2	3/3

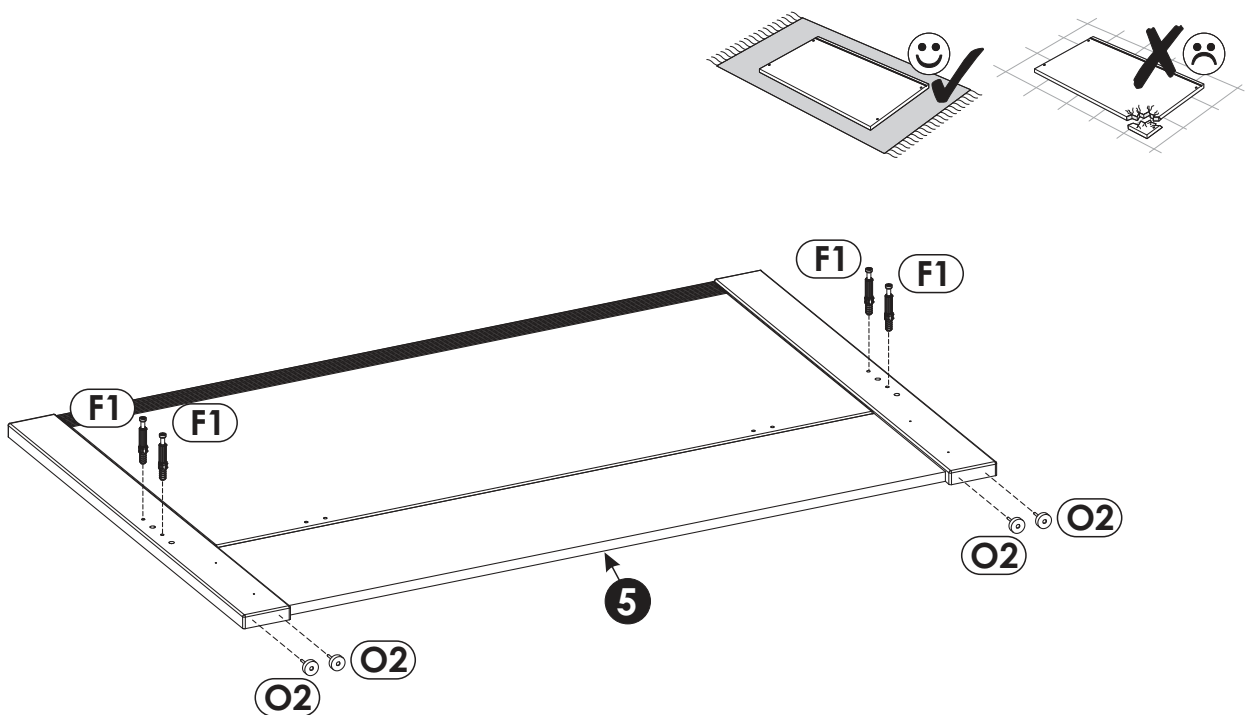
8	2005	220	16 x1	1/3
9	1995	220	16 x1	1/3
10	816	100	16 x1	3/3
11	816	100	16 x1	3/3
12	1916	100	16 x1	3/3
13	1948	816	16 x1	3/3



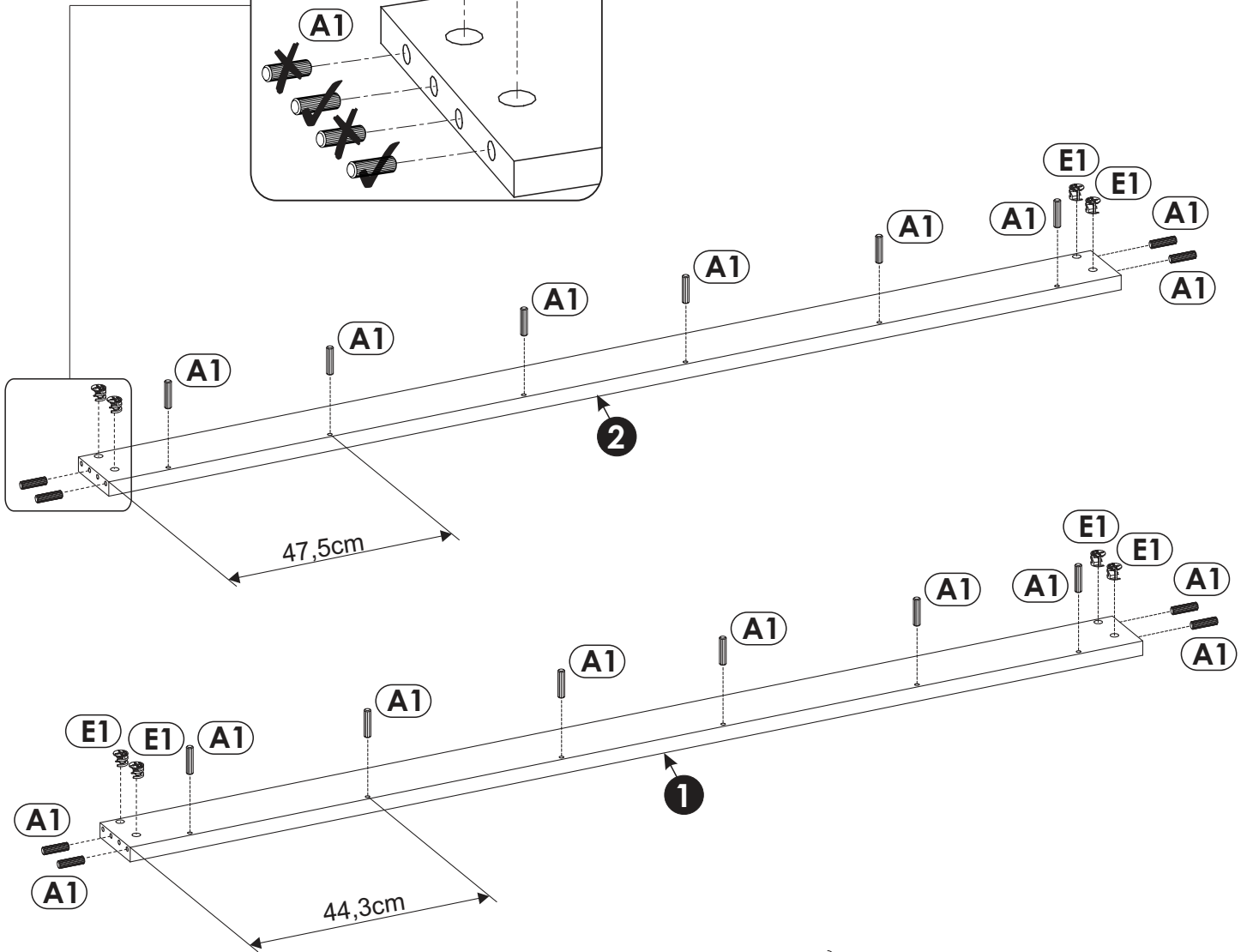
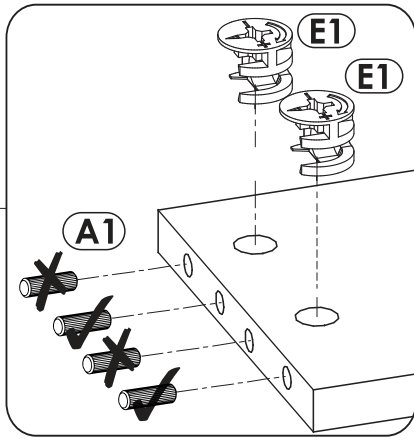
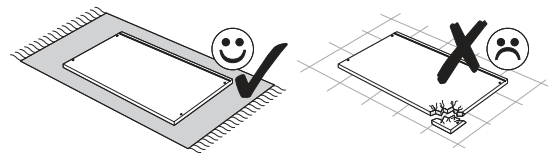
1 ▶



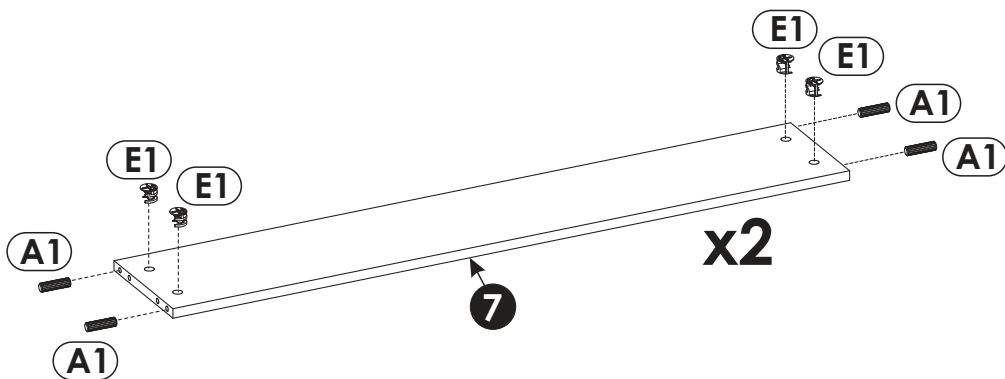
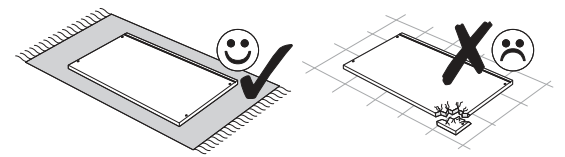
2 ▶



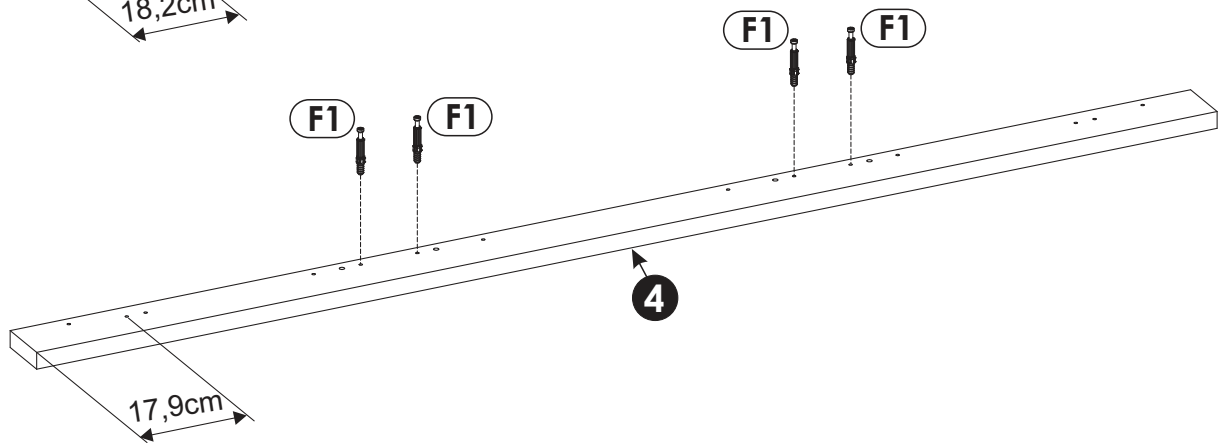
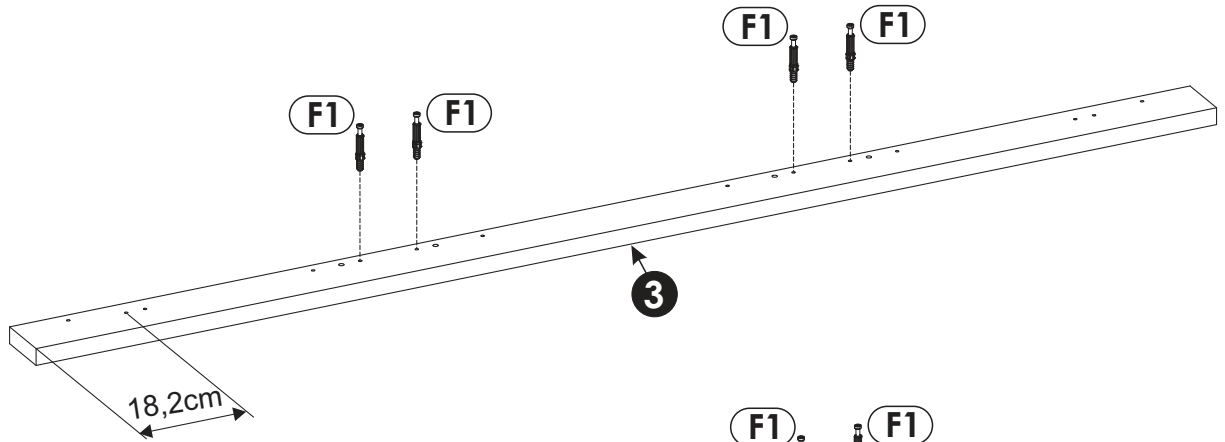
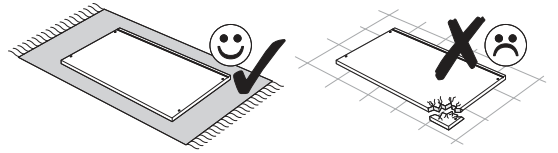
3 ▶



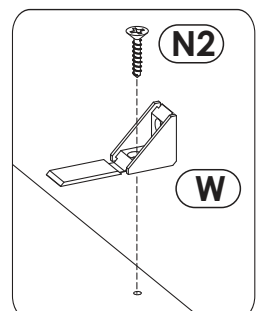
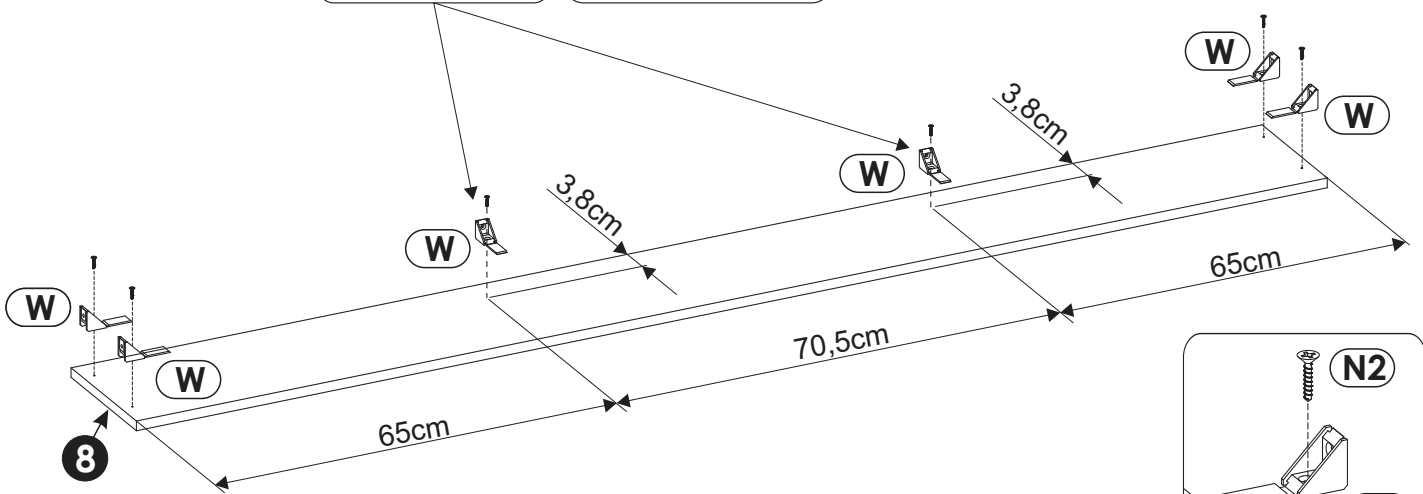
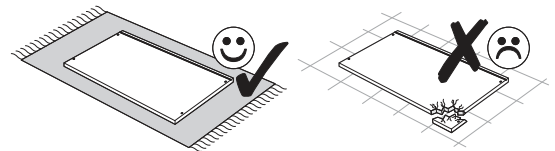
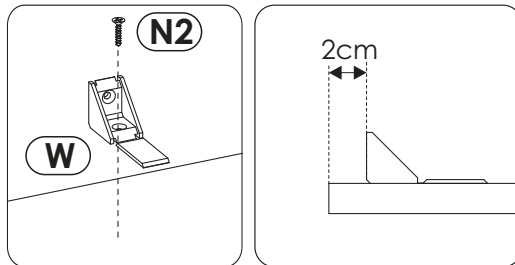
4 ▶



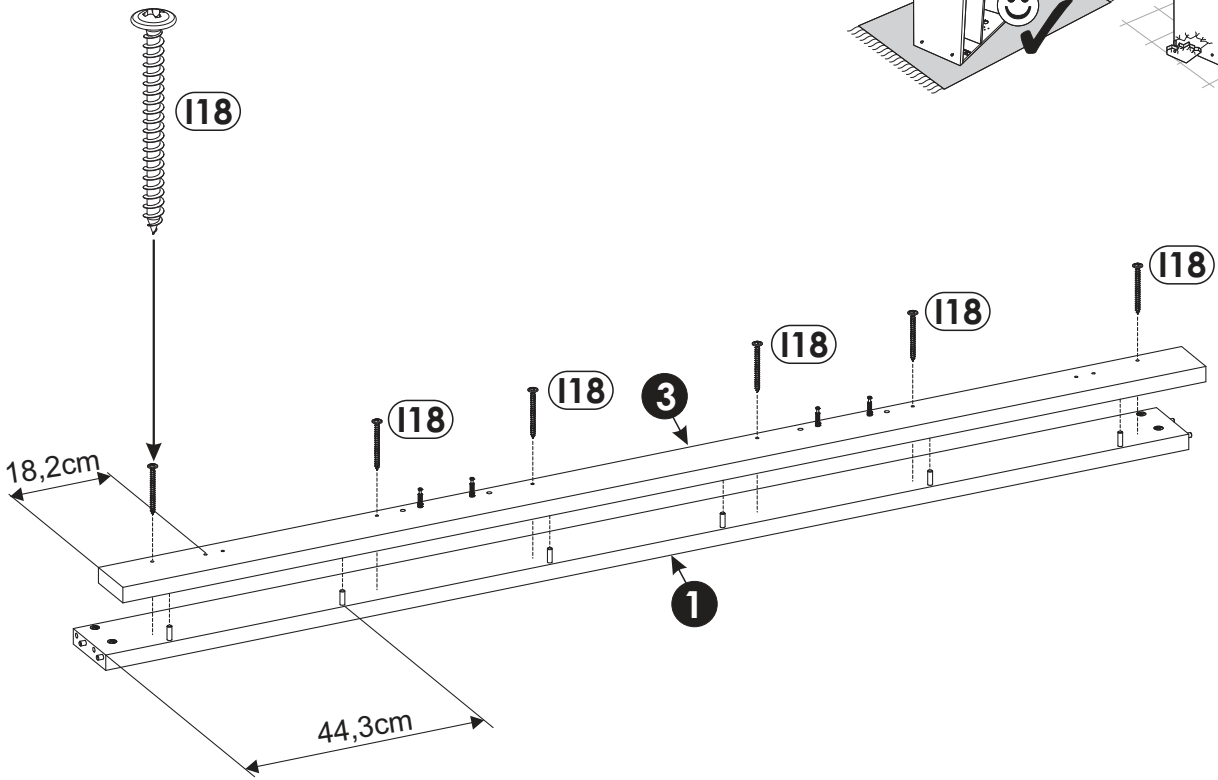
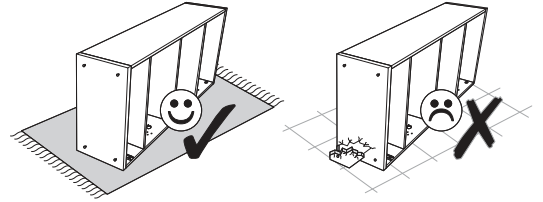
5 ▶



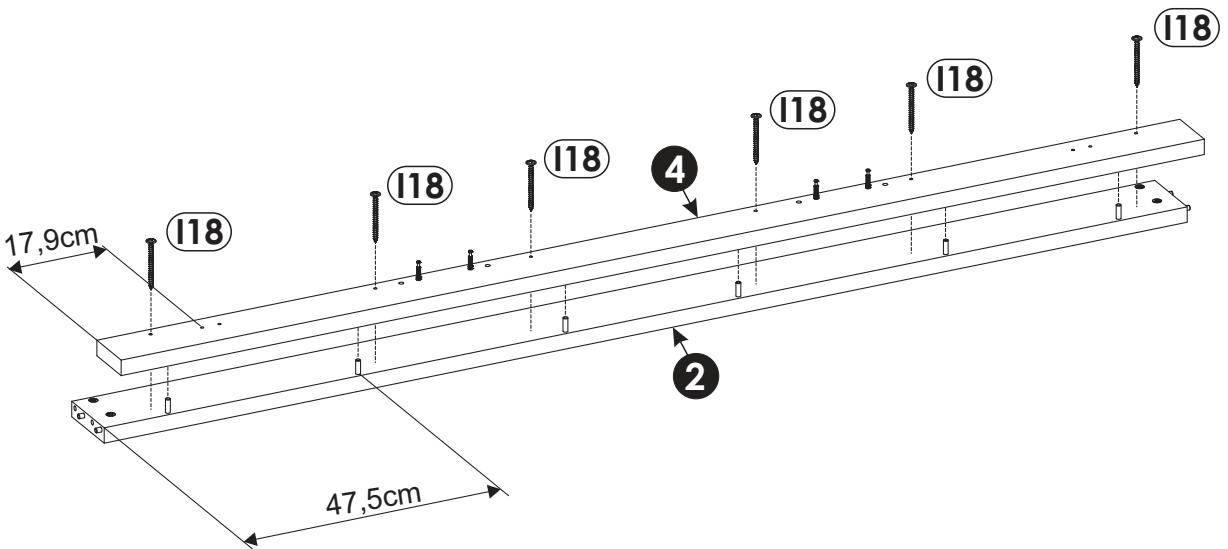
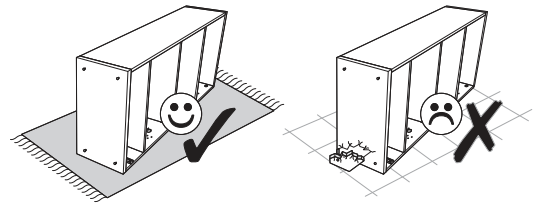
6 ▶



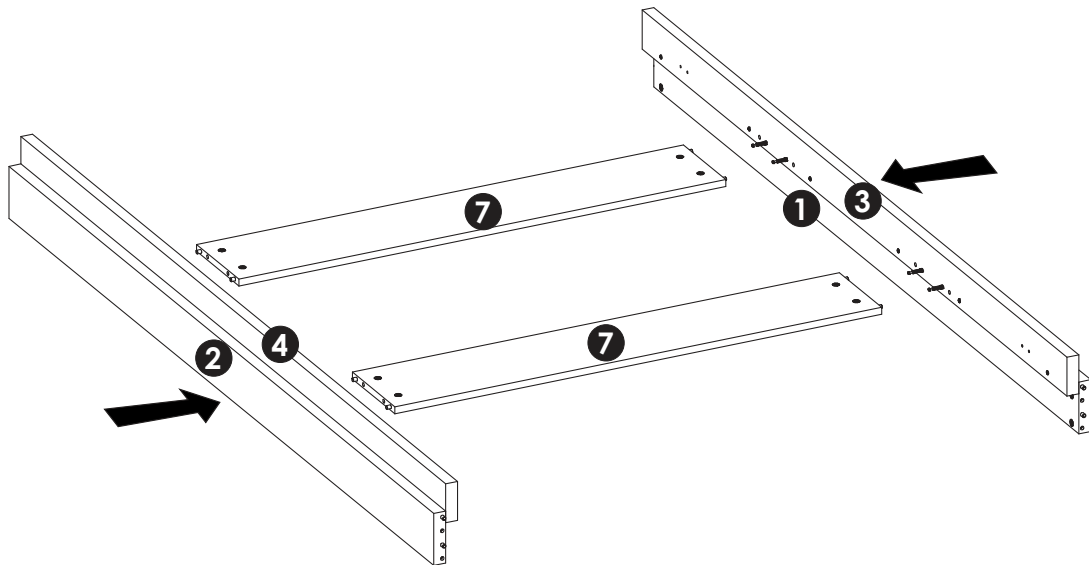
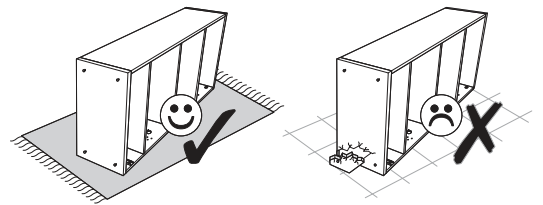
7 ▶



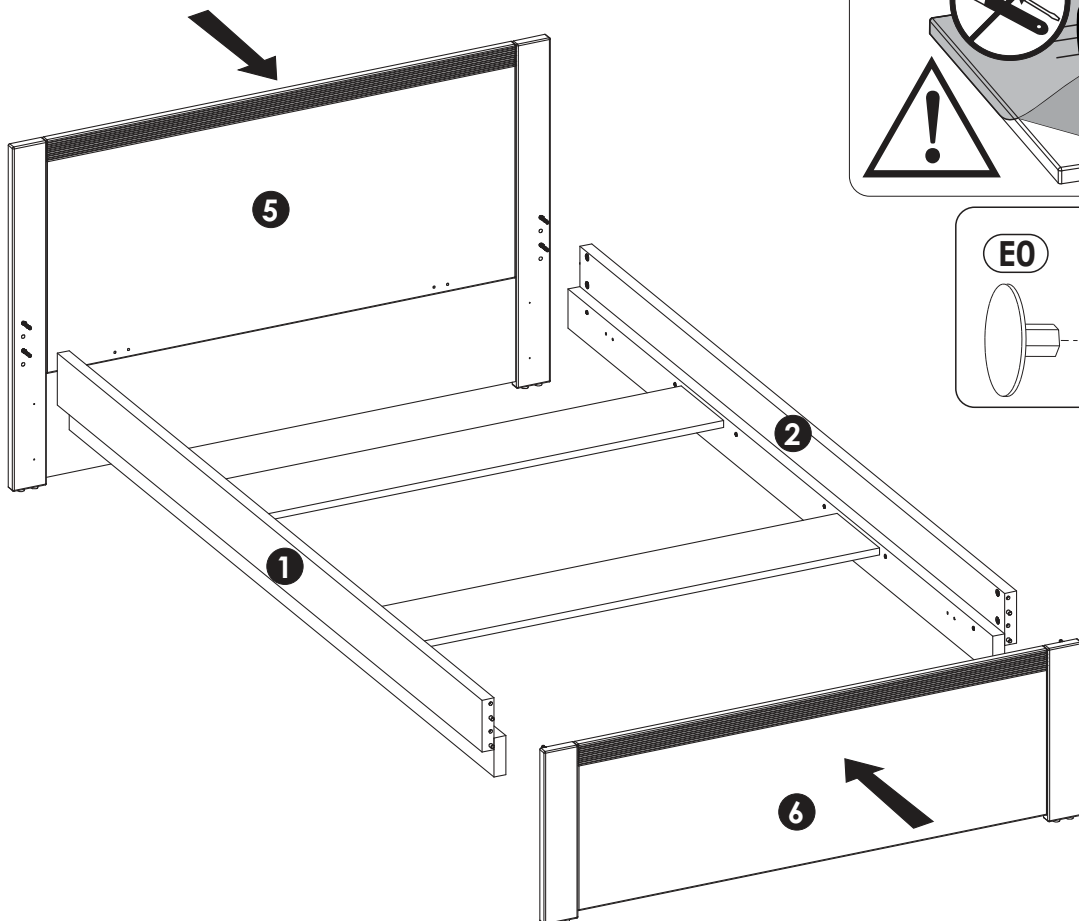
8 ▶



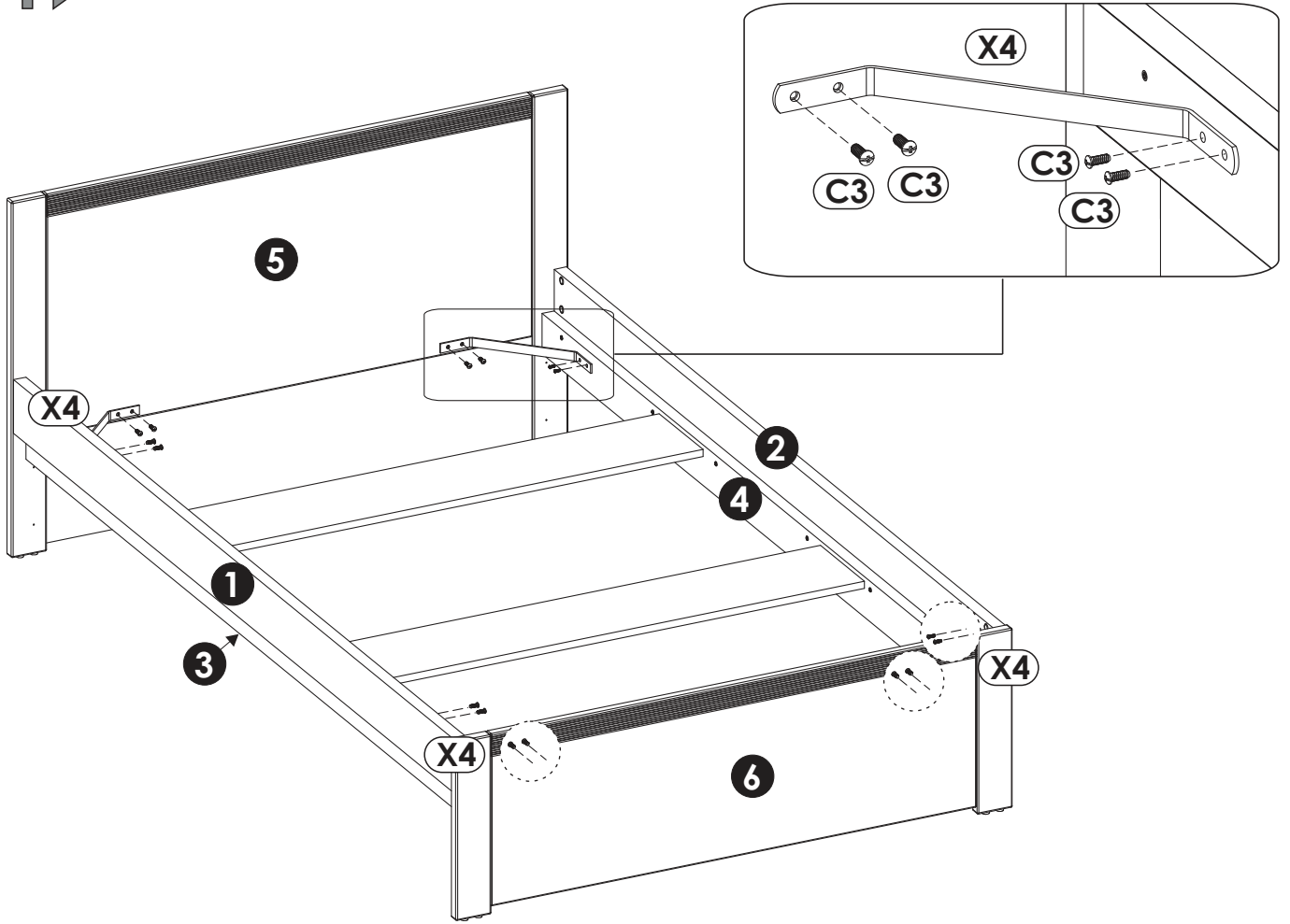
9 ▶



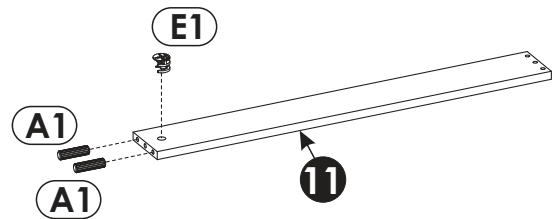
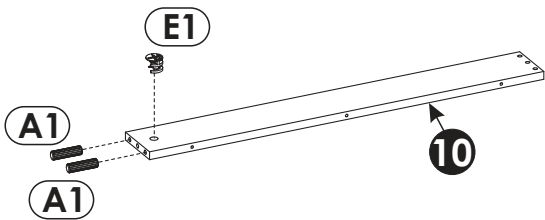
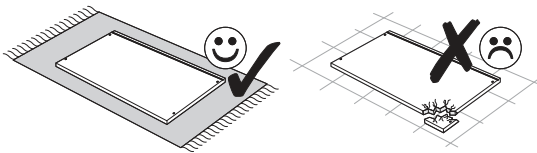
10 ▶



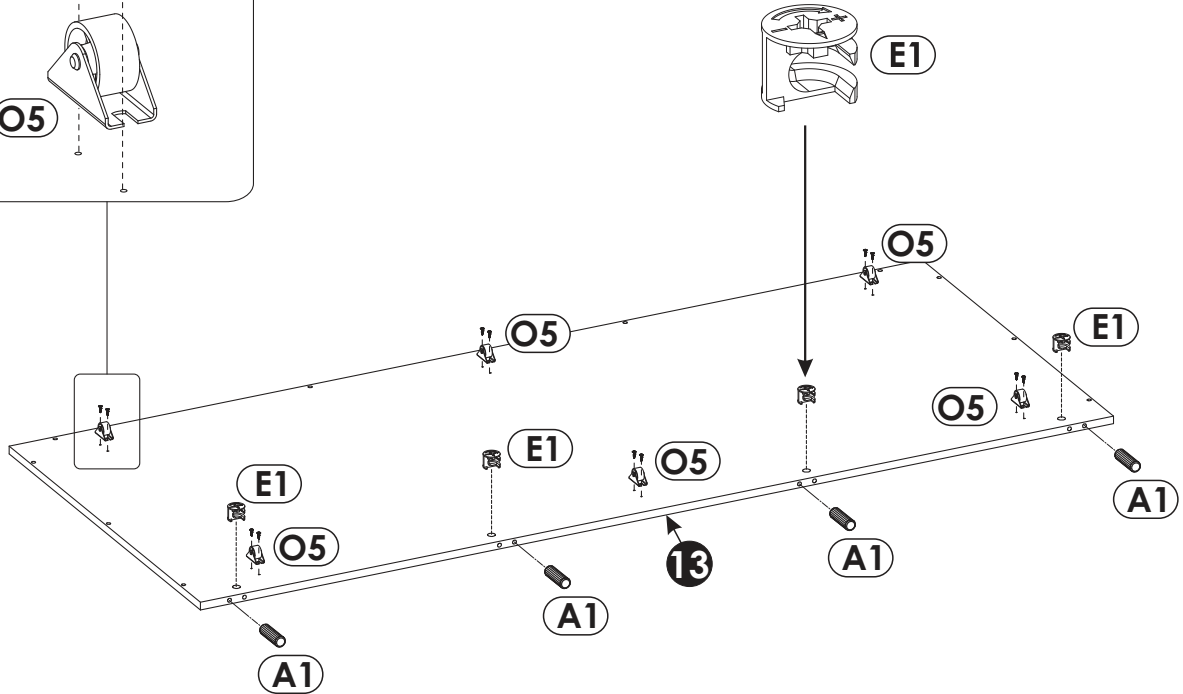
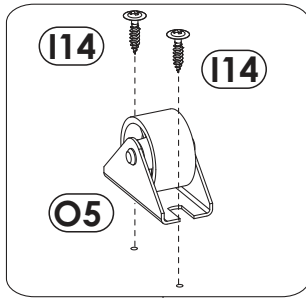
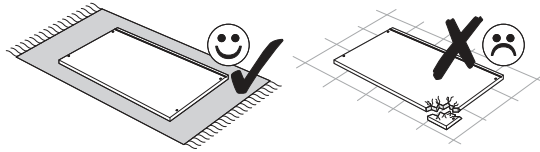
11 ▶



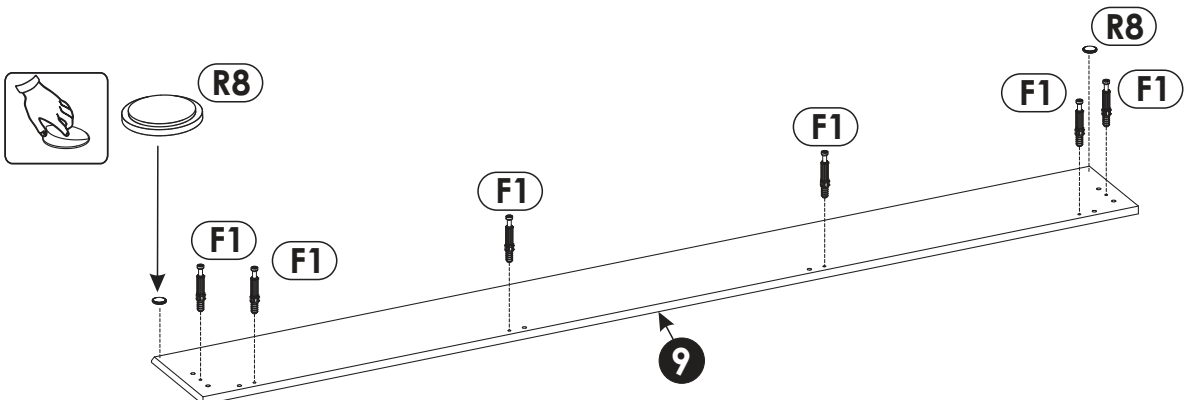
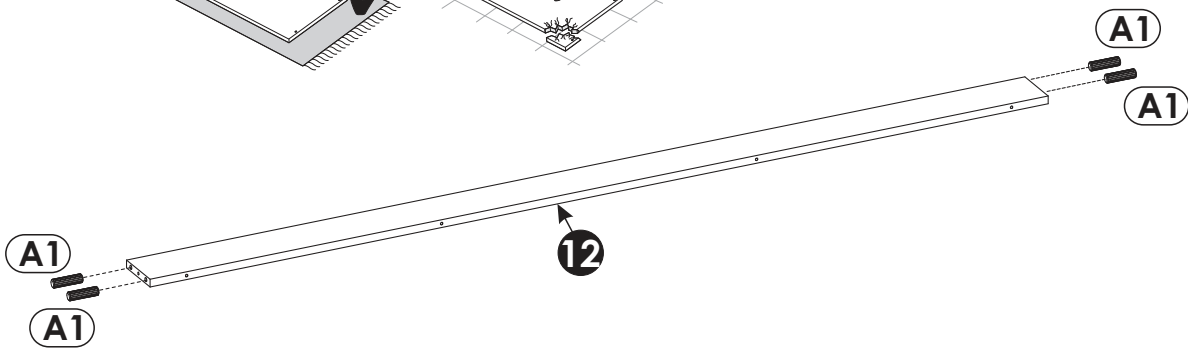
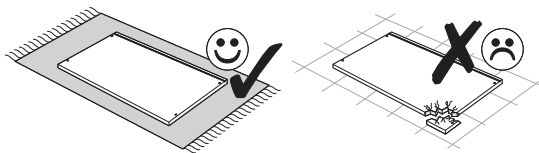
12 ▶



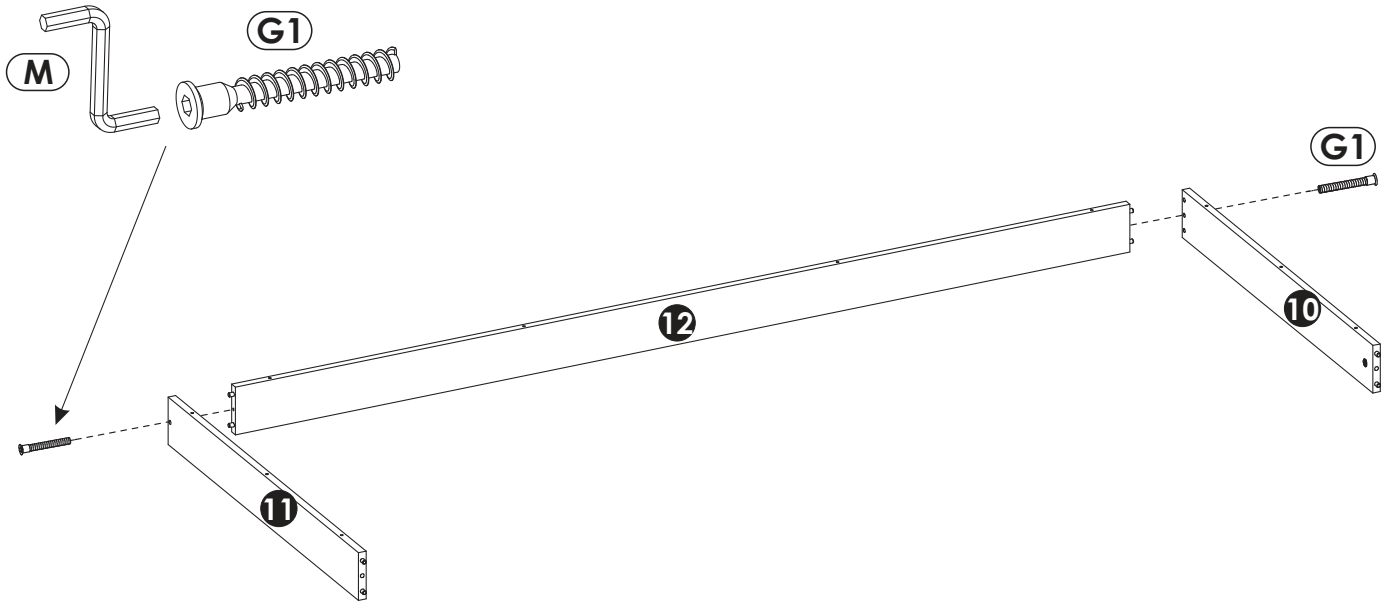
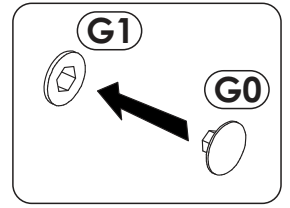
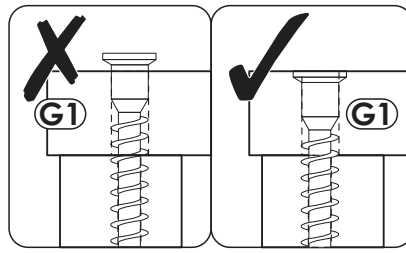
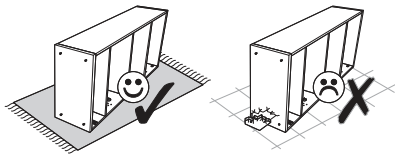
13▶



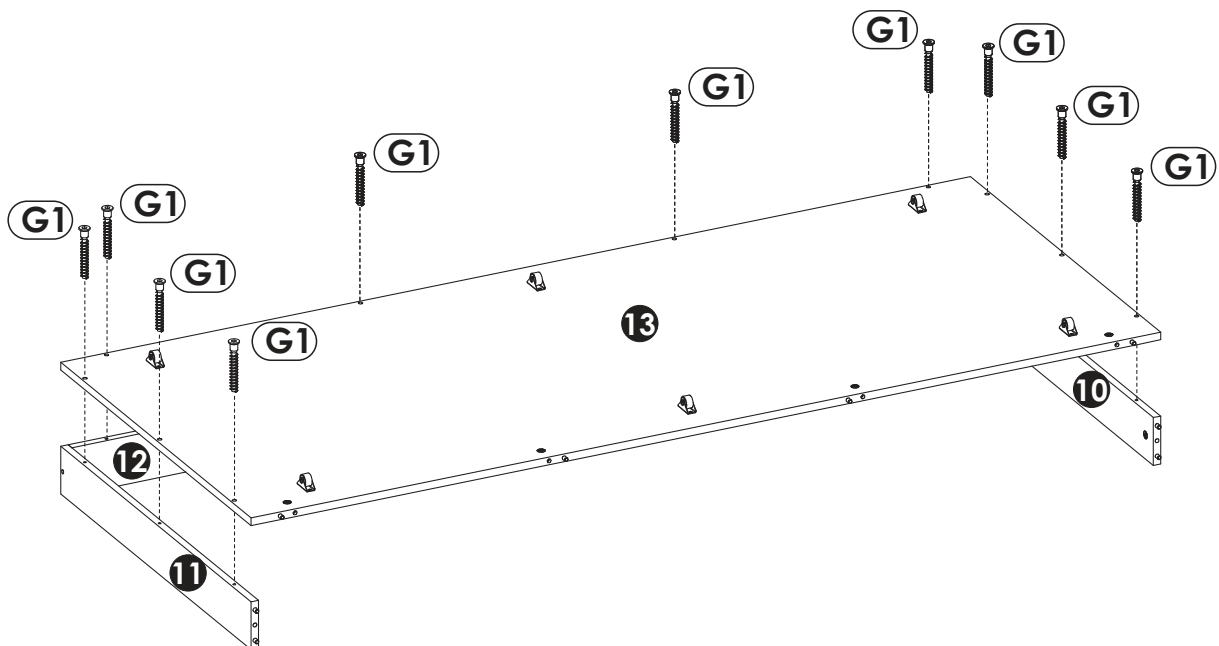
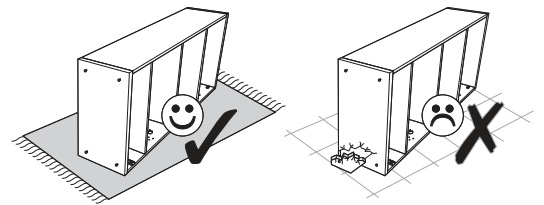
14▶



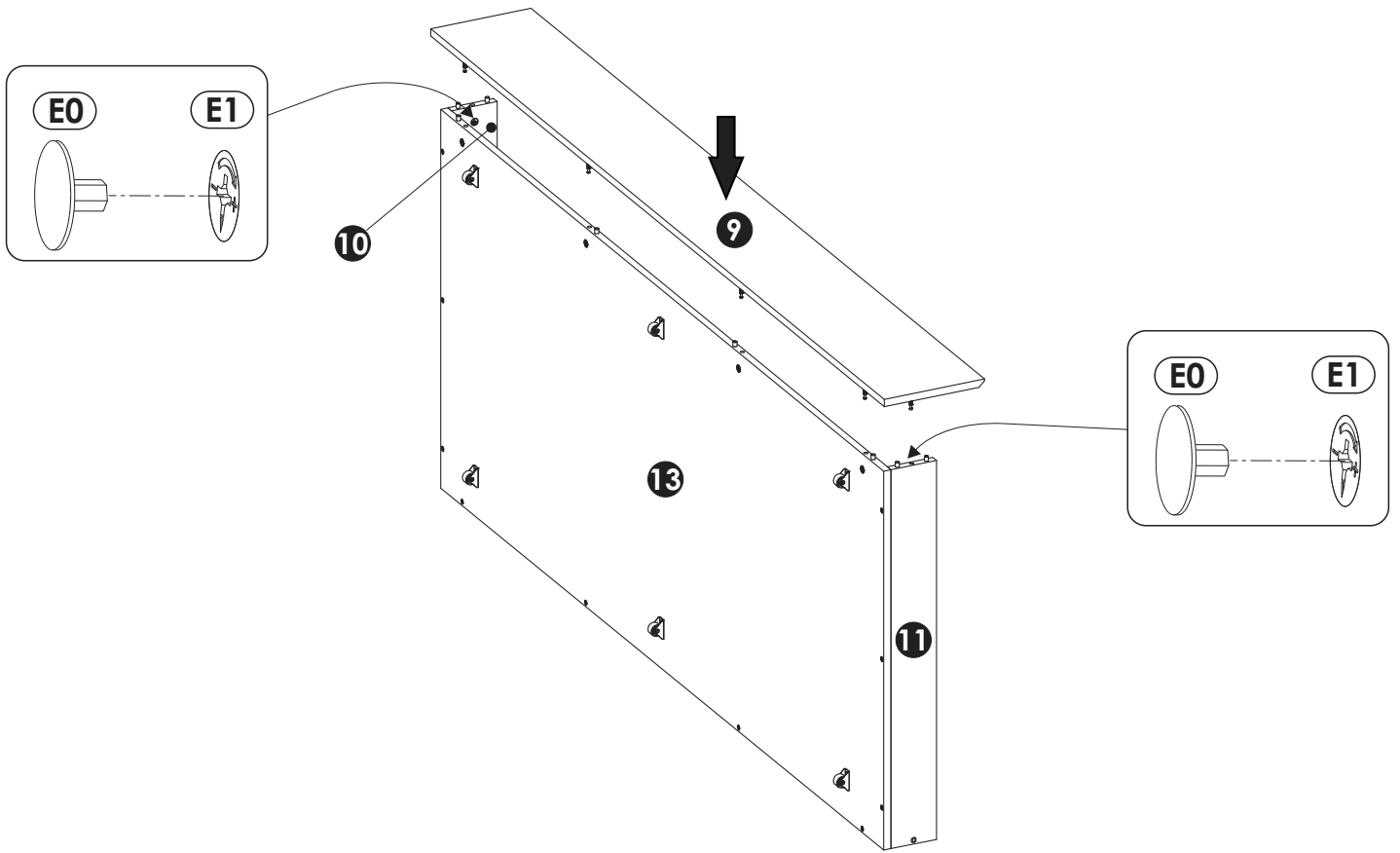
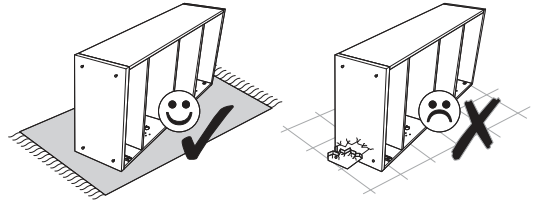
15 ▶



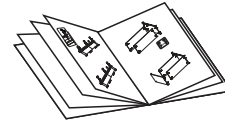
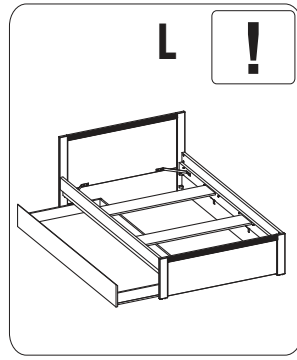
16 ▶



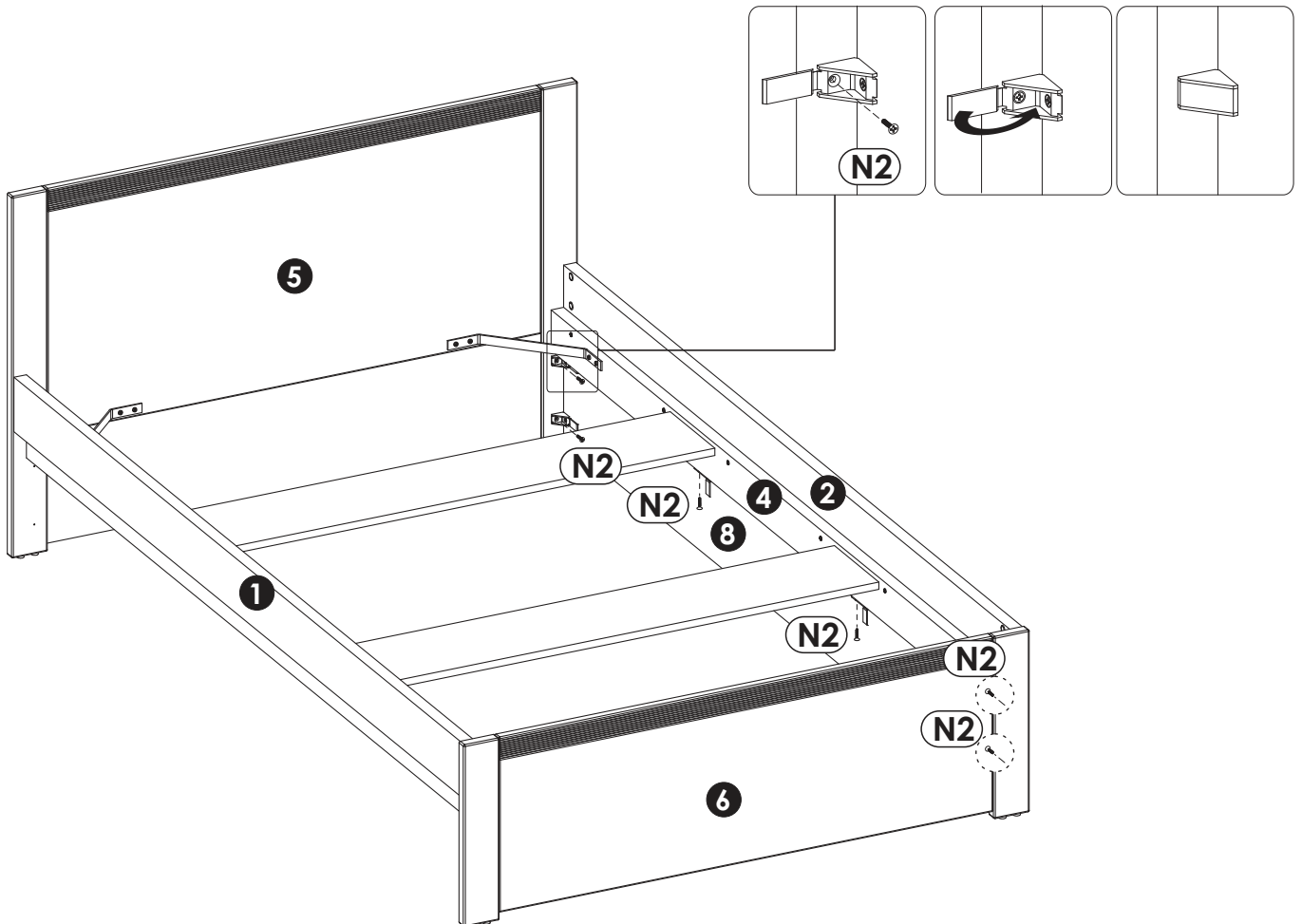
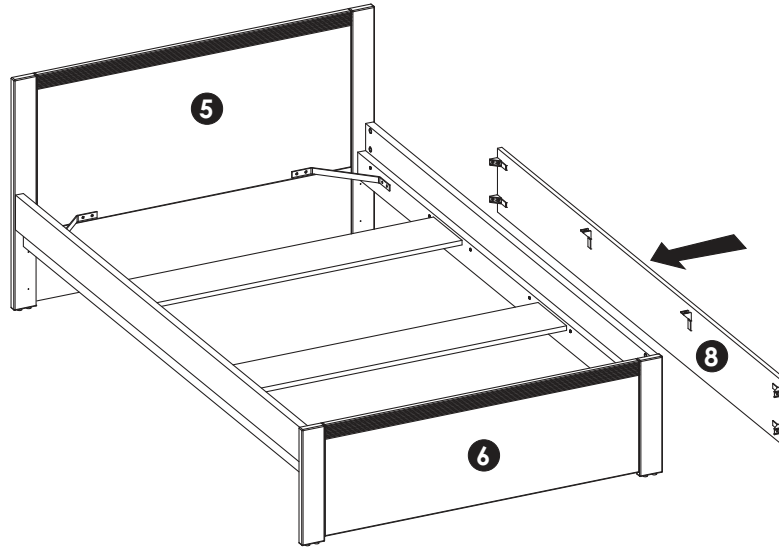
17▶



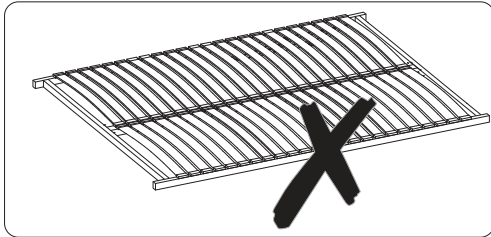
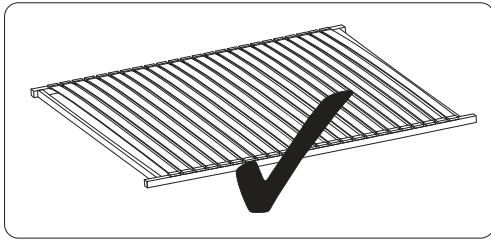
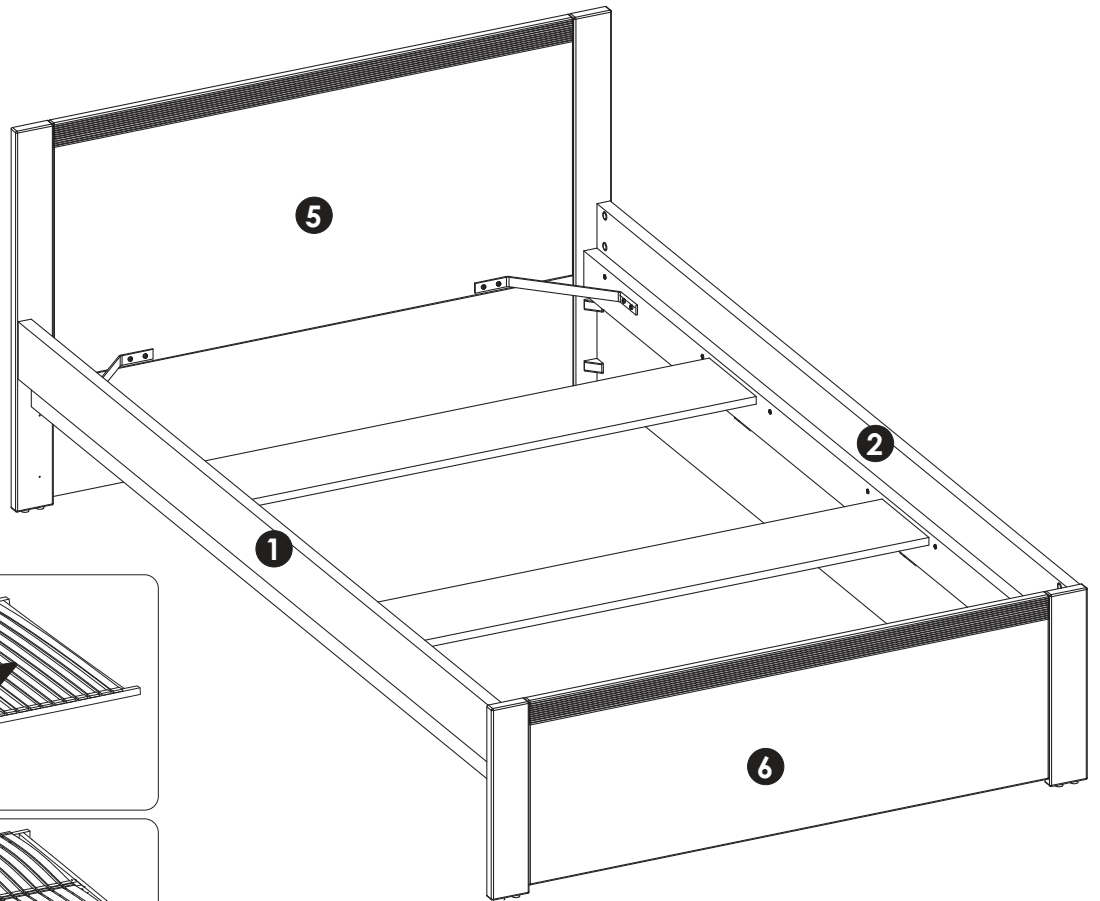
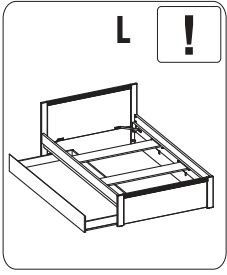
18▶



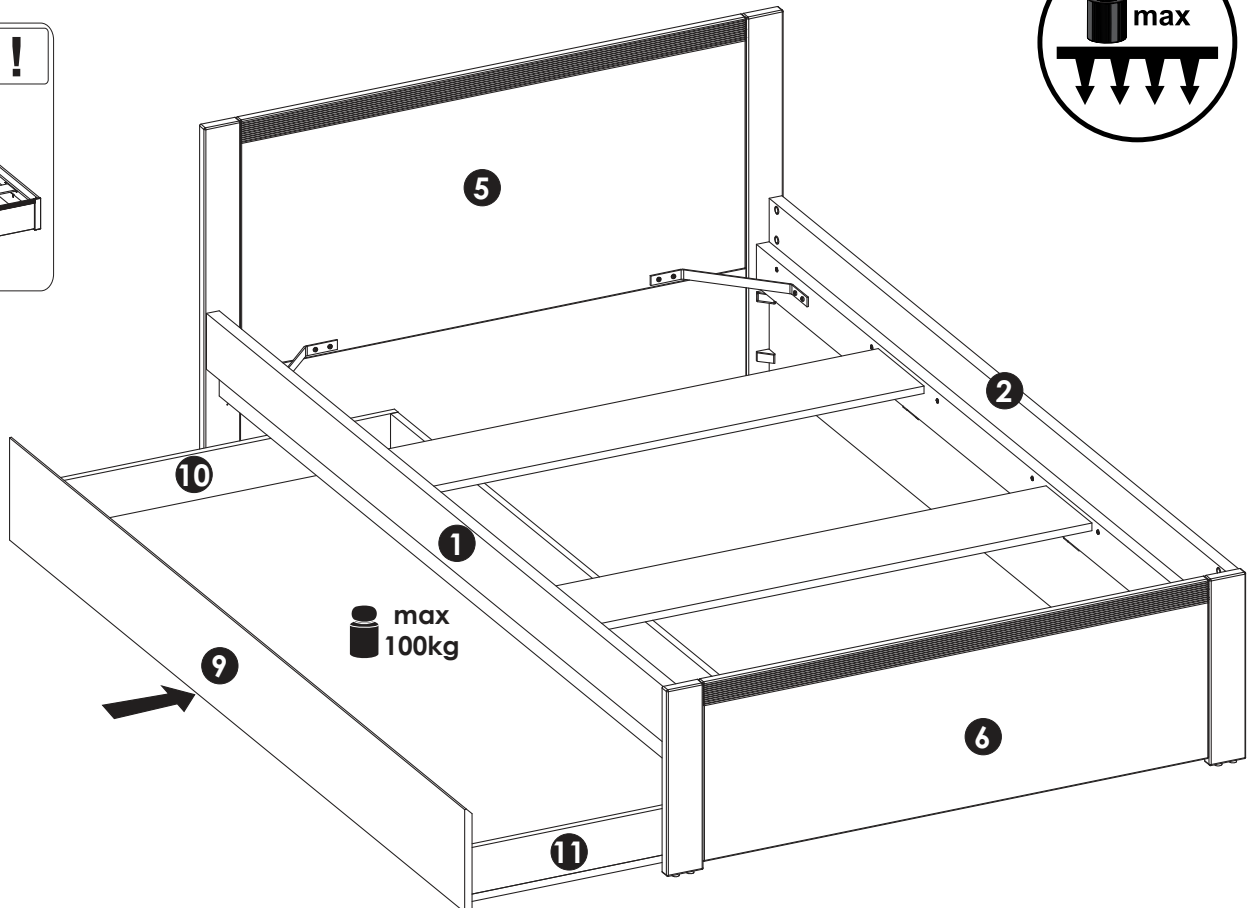
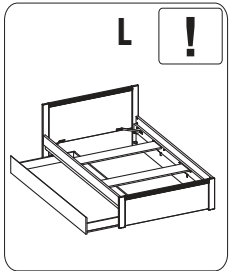
18-20



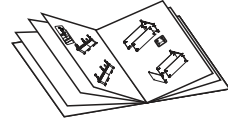
19 ▶



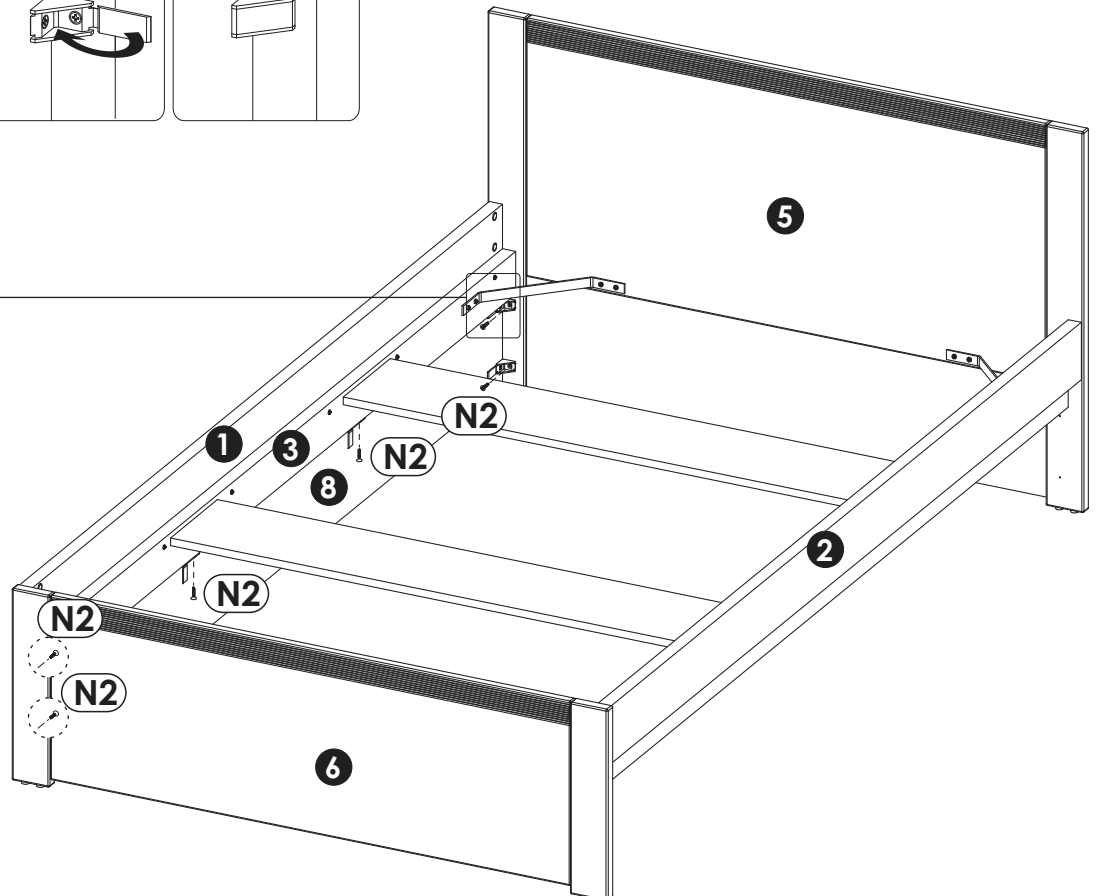
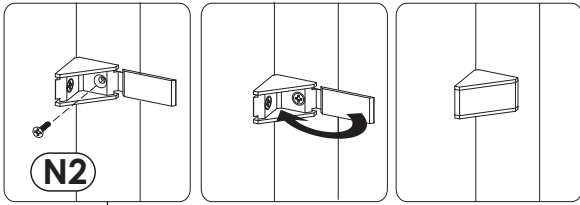
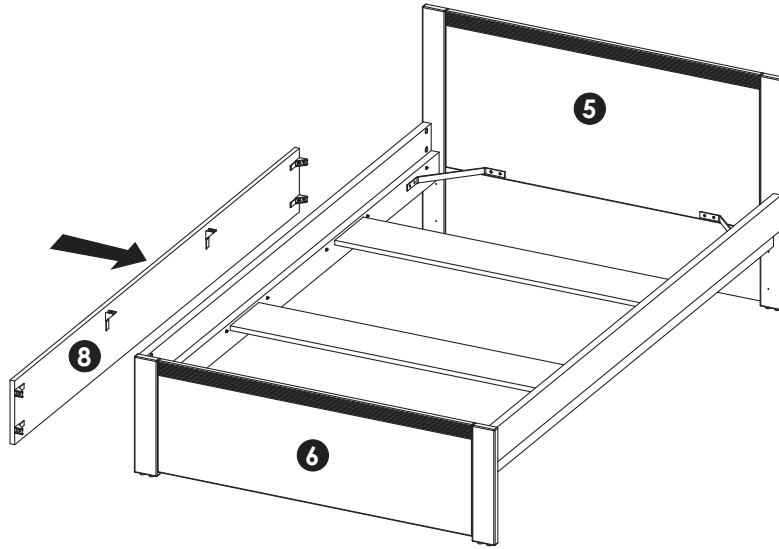
20 ▶



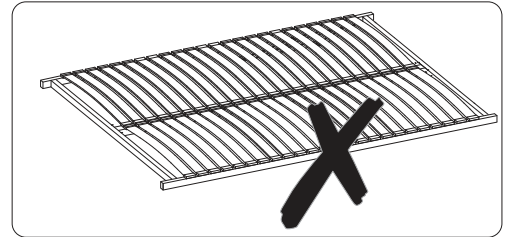
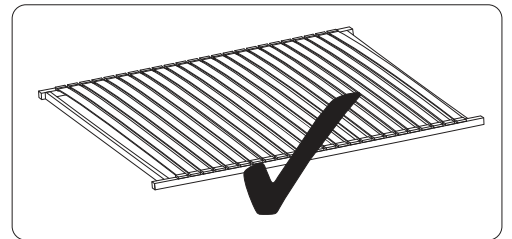
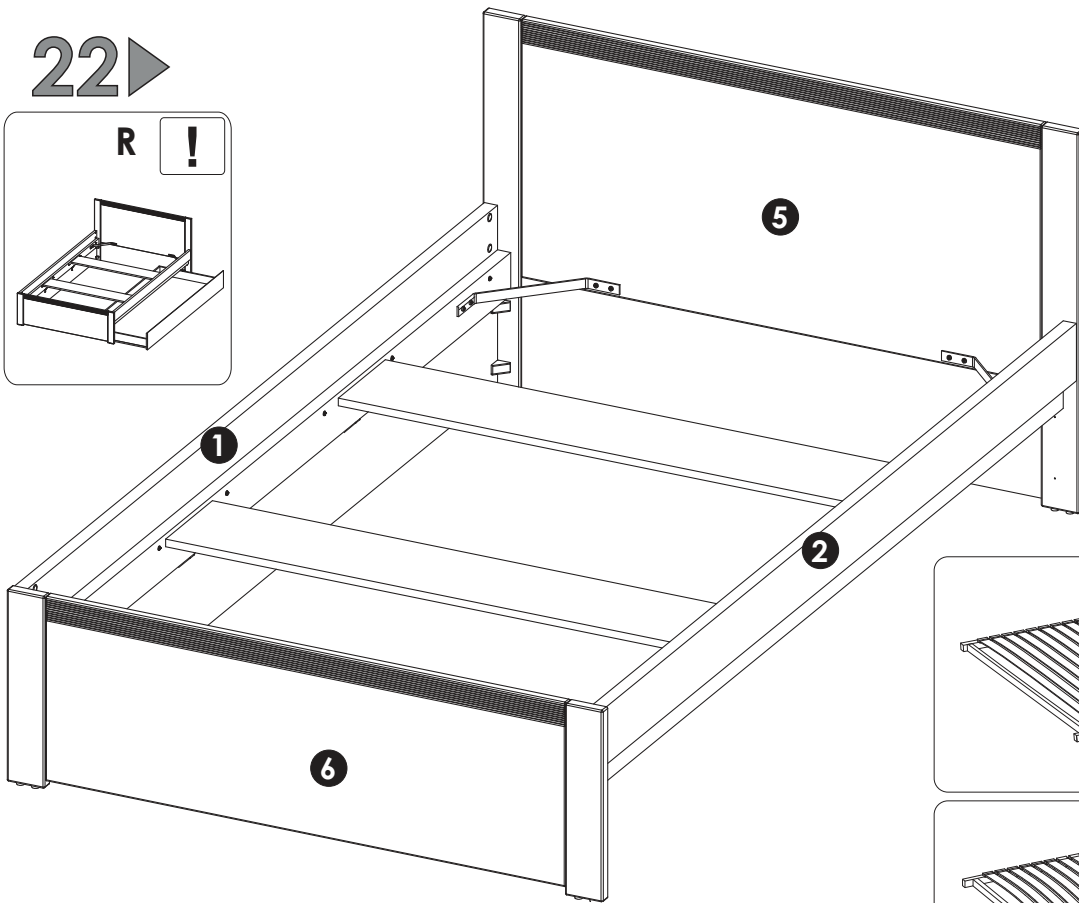
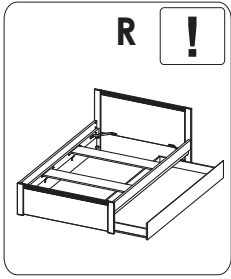
21▶



21-23



22 ▶



23 ▶

