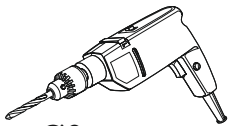
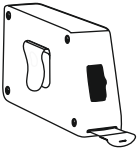
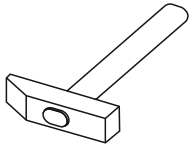
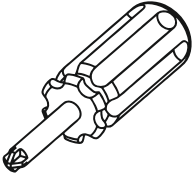
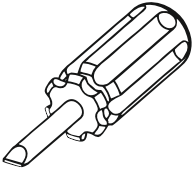
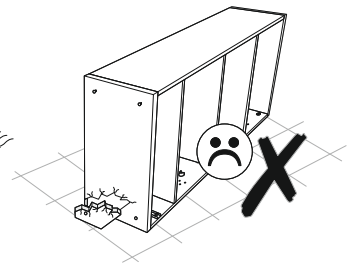
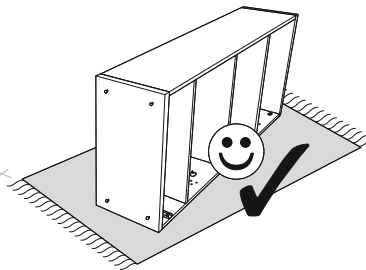
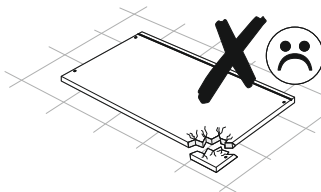
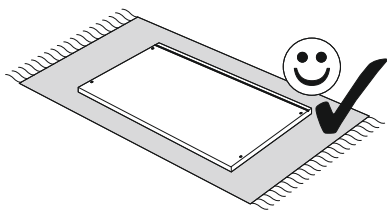
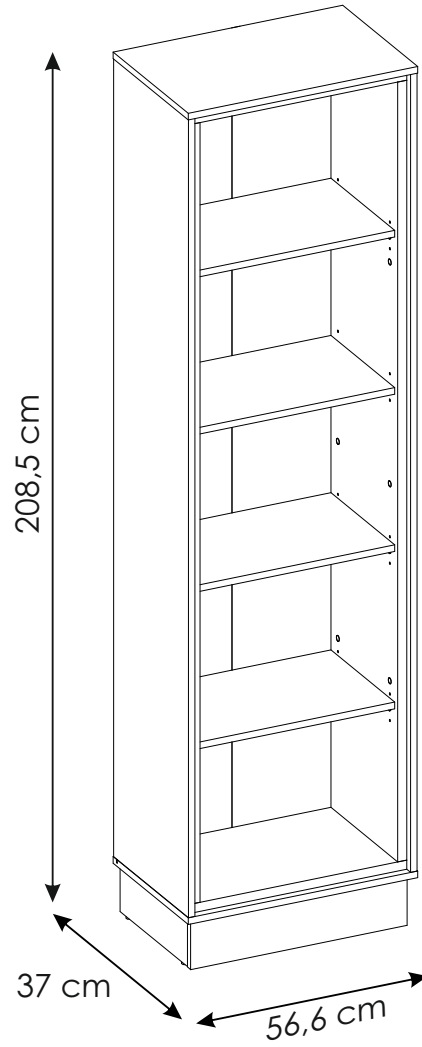
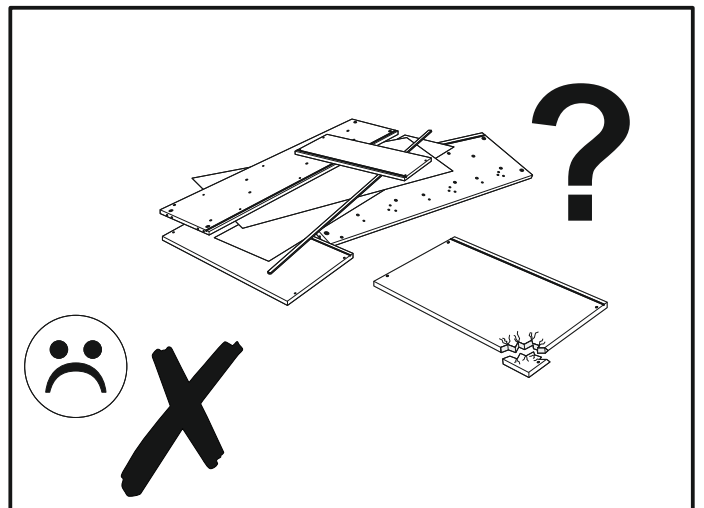
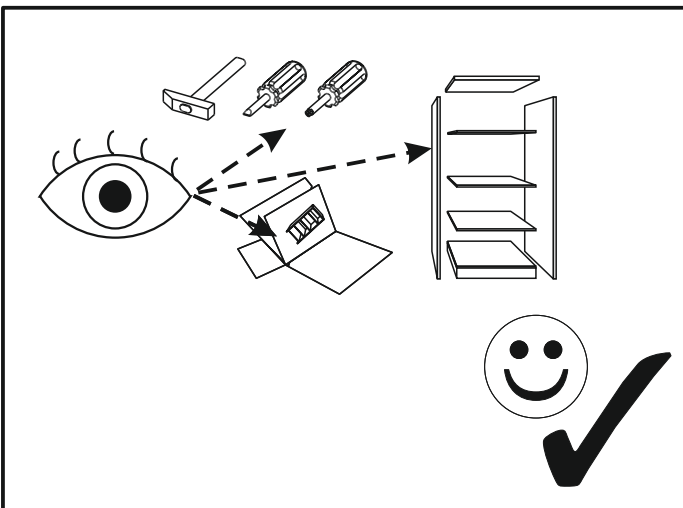
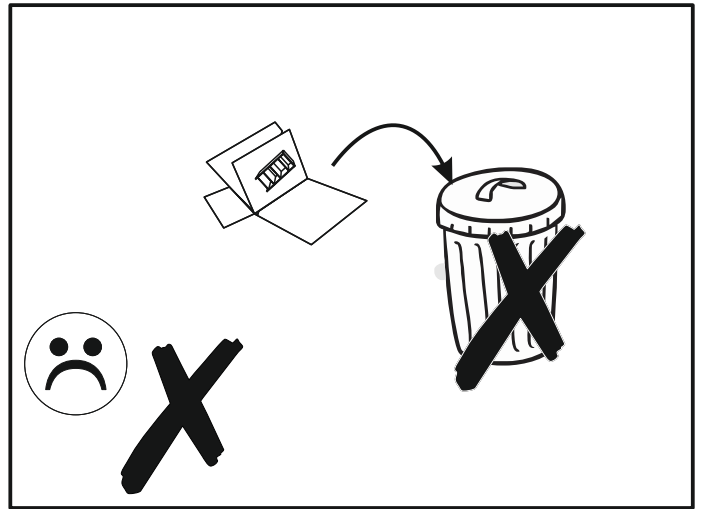
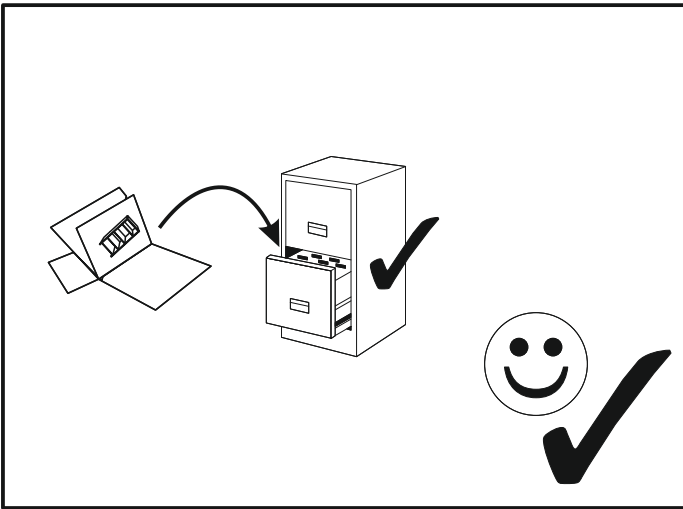
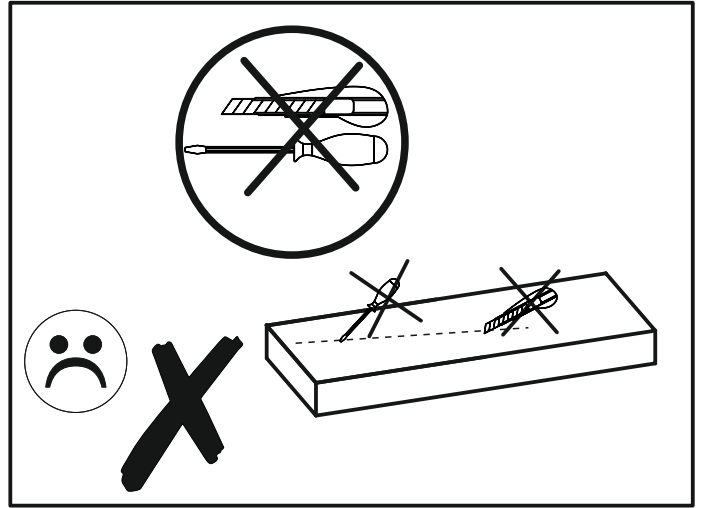
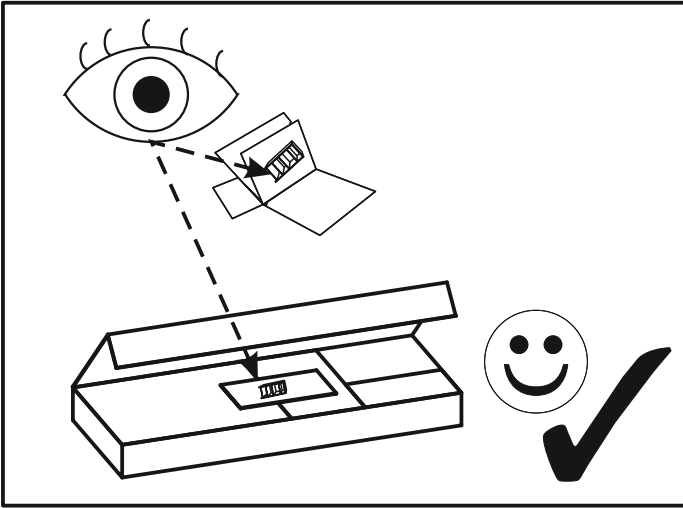


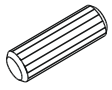
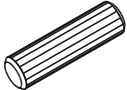
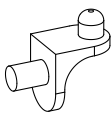

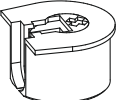



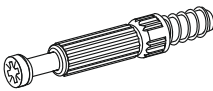
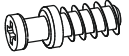

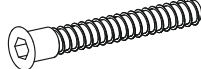


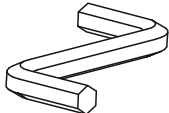
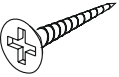

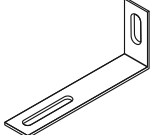
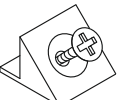
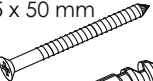
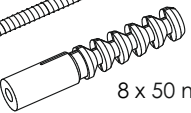
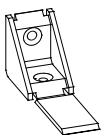
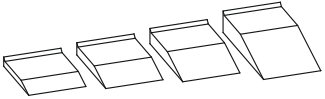
90 MIN

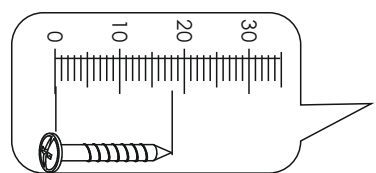
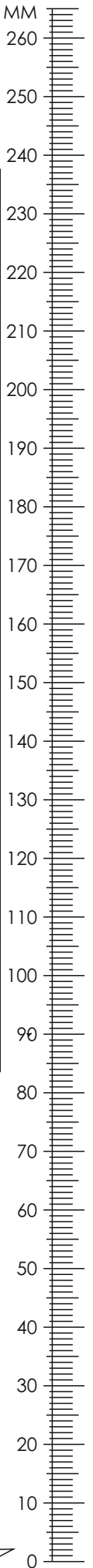


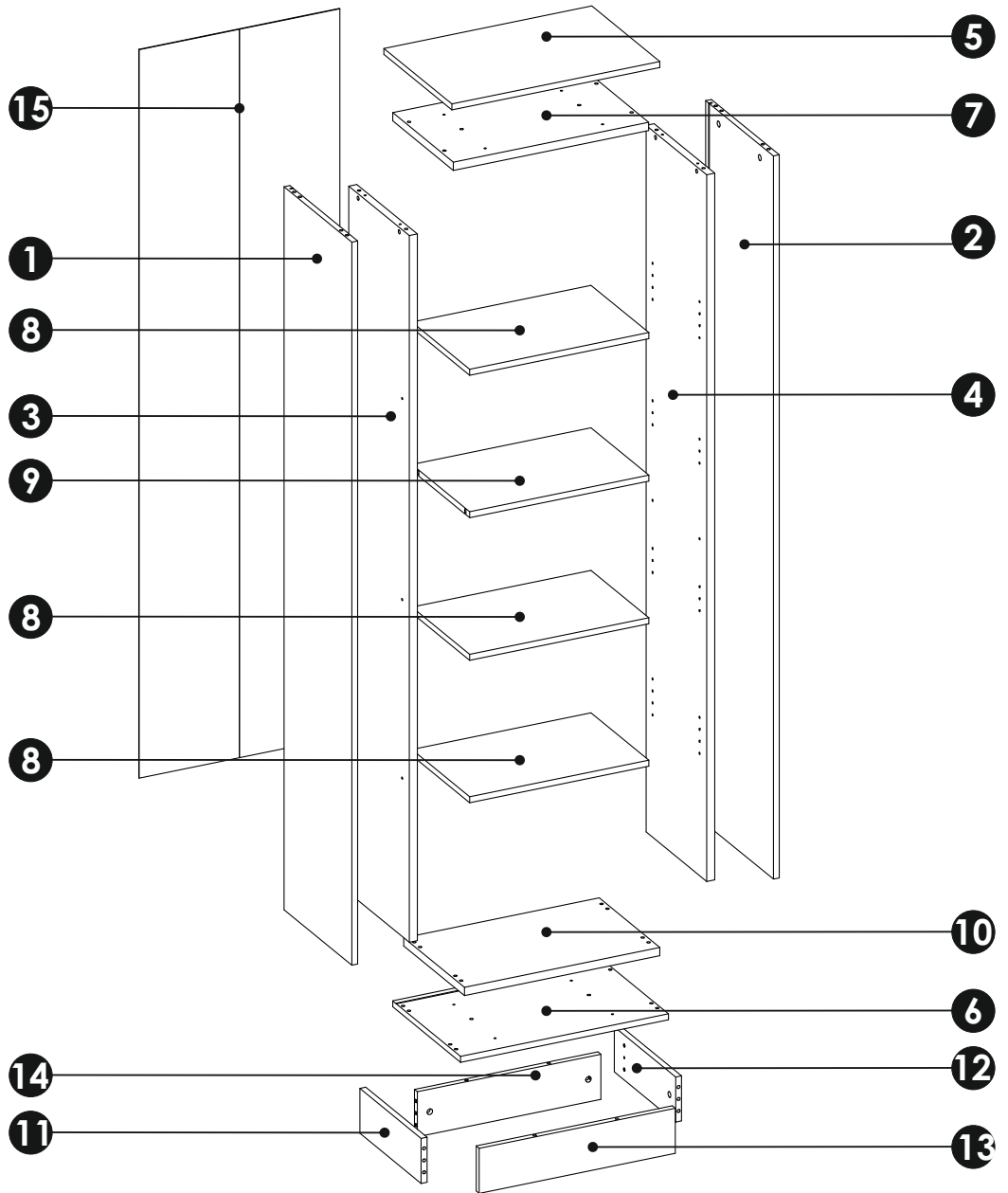
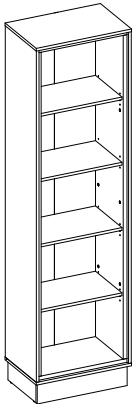
Ø8





A0 8 x 24 mm x4 	A1 8 x 35 mm x28 	D5  x12
E1 15 x 12 mm x8 	E4  x4	E5 20 mm x4 
E6a 14 mm x20 	E6b 14 mm x4 	F1 6 x 34 mm x8 
F2  x4	G0  x4	G1 7 x 50 mm x12 
I2 4 x 16 mm x1 	I7 4 x 35mm x20 	M  x1
N2 3,5 X 16 mm x8 	O2  x4	Q9  x1
R4  x12	S13 5 x 50 mm x1  8 x 50 mm 	W  x4
Z x1 		

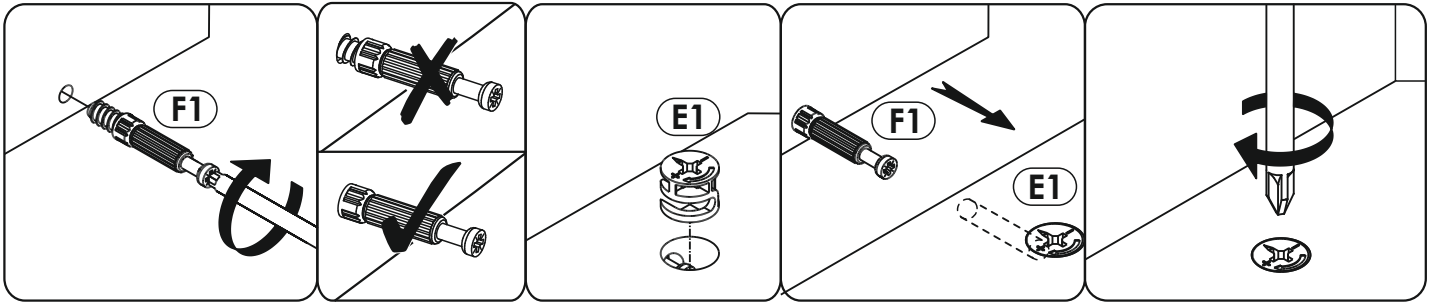




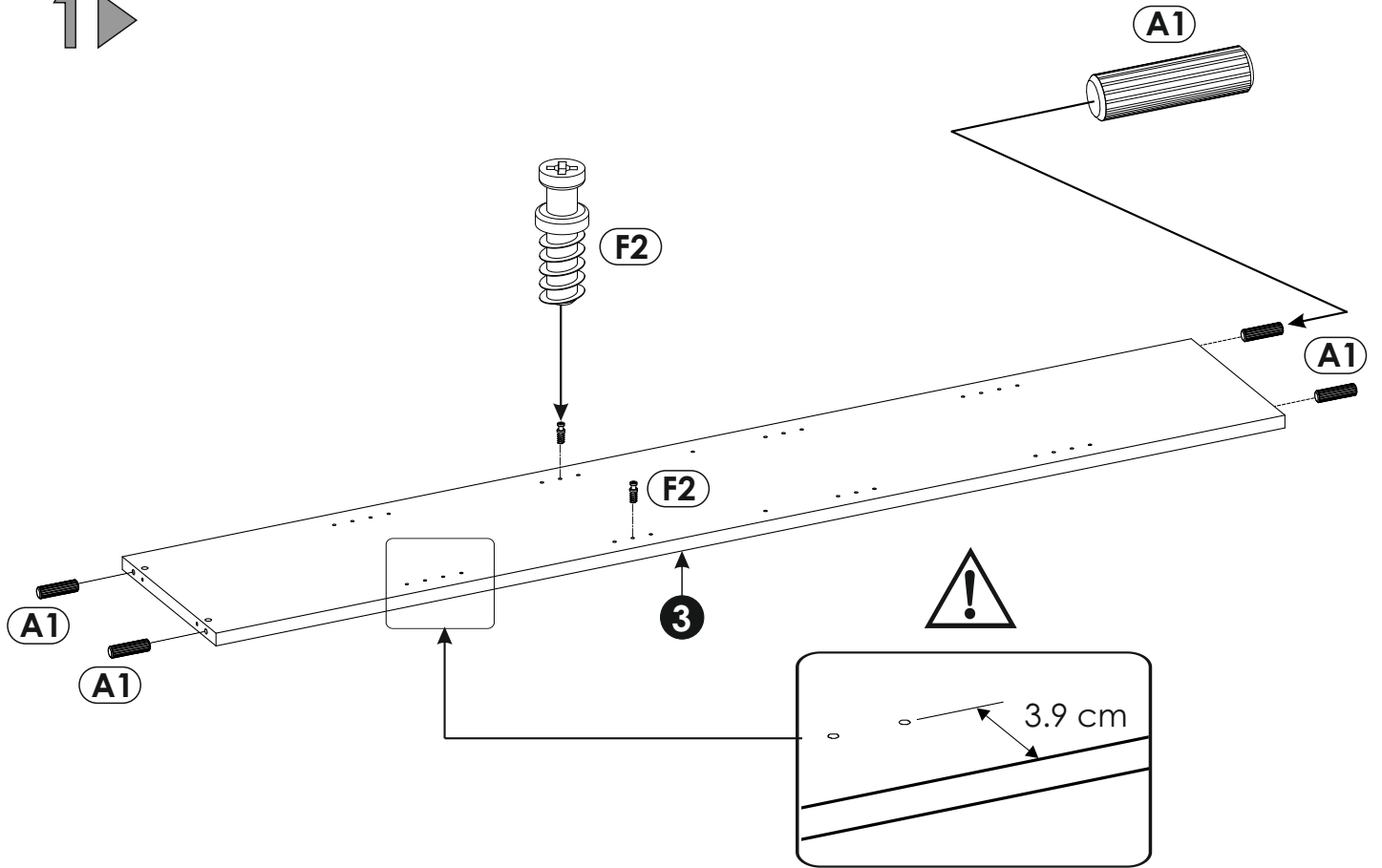
1	1928	369	16 x1	2/2
2	1928	369	16 x1	2/2
3	1884	330	22 x1	2/2
4	1884	330	22 x1	2/2
5	566	370	16 x1	1/2

6	566	370	16 x1	1/2
7	532	330	22 x1	1/2
8	488	315	16 x3	1/2
9	488	315	16 x1	1/2
10	532	330	22 x1	1/2

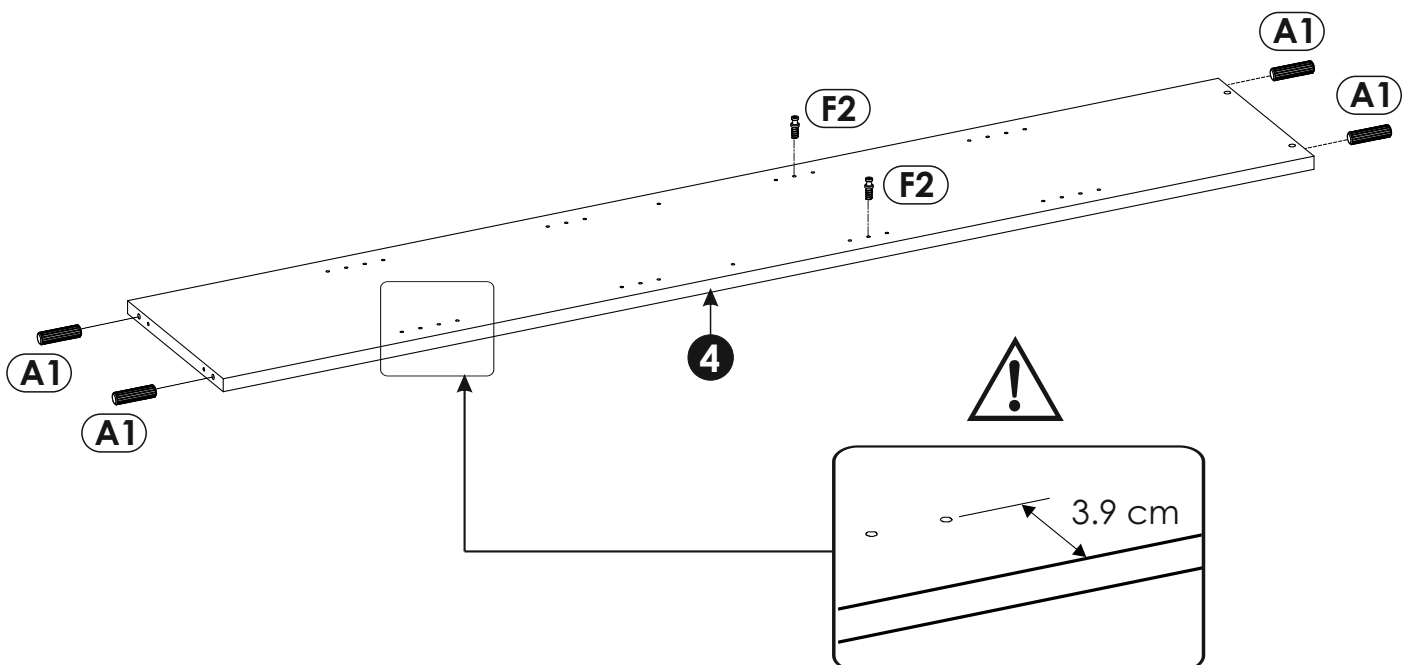
11	334	120	16 x1	1/2
12	334	120	16 x1	1/2
13	534	120	16 x1	1/2
14	500	120	16 x1	1/2
15	1942	546	3 x1	2/2



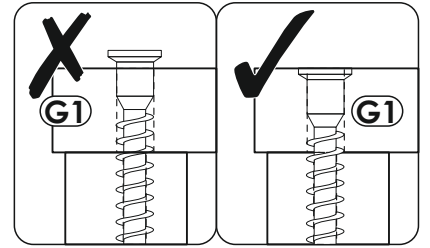
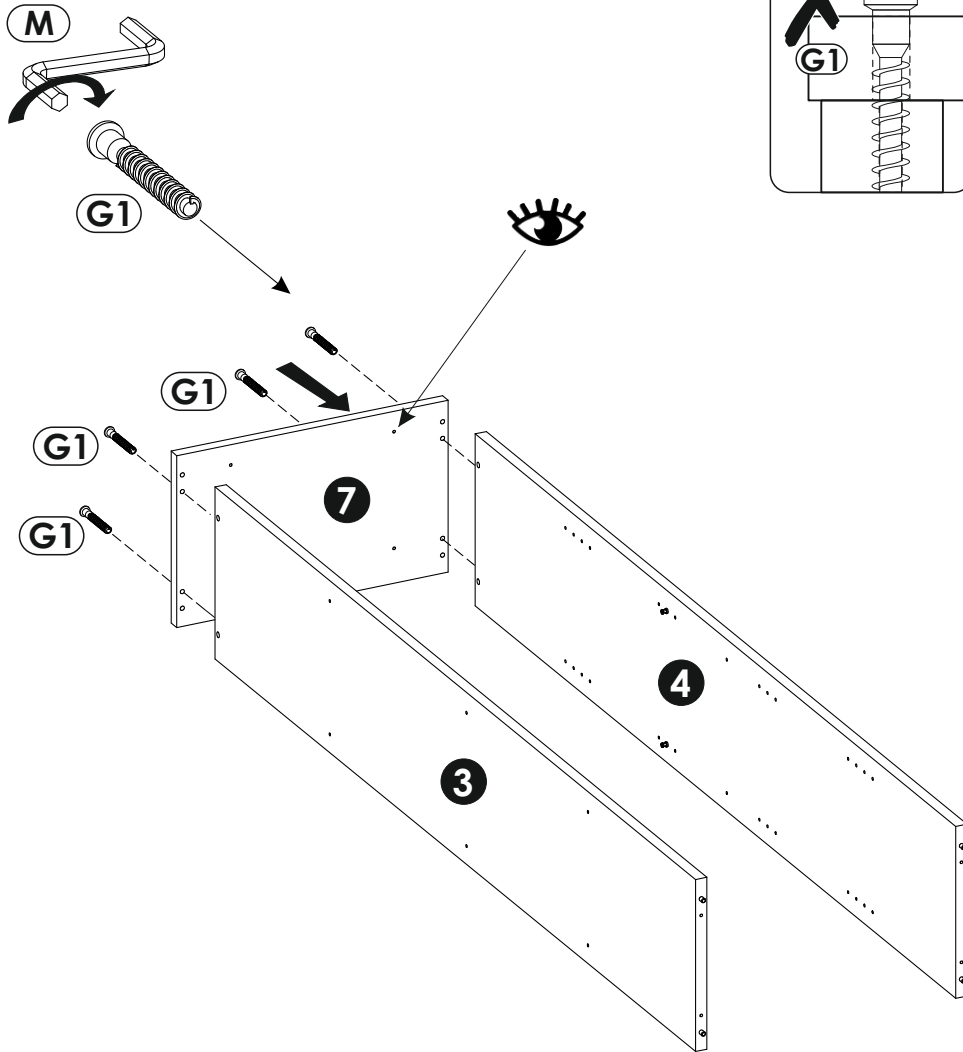
1 ▶



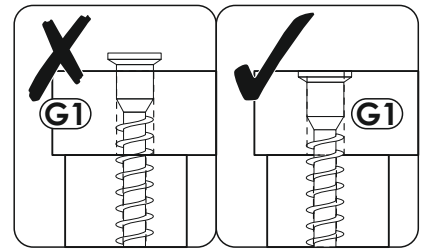
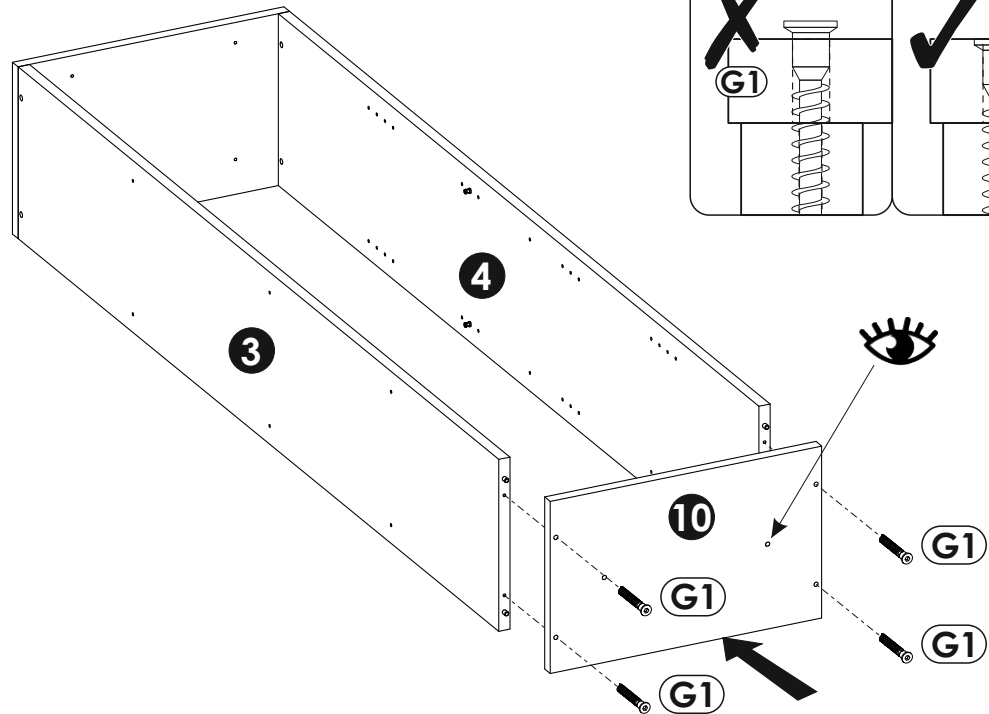
2 ▶



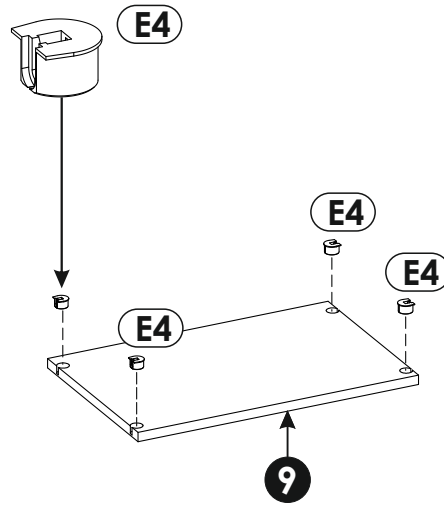
3 ▶



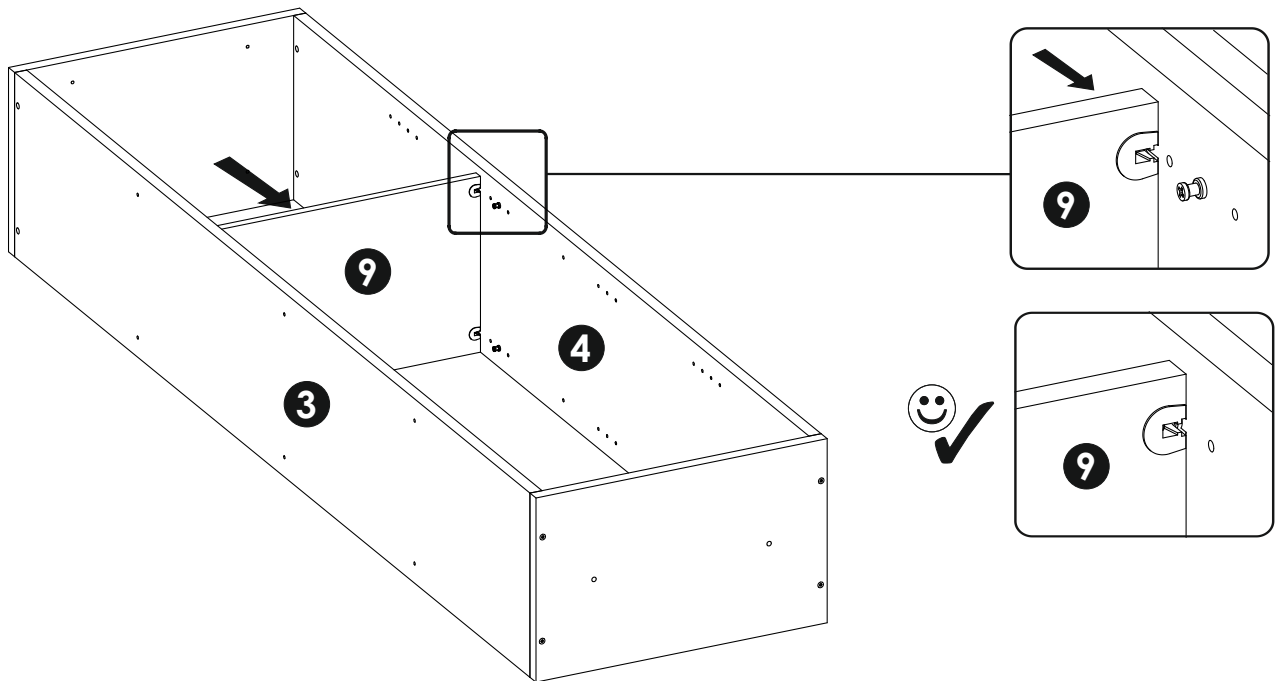
4 ▶



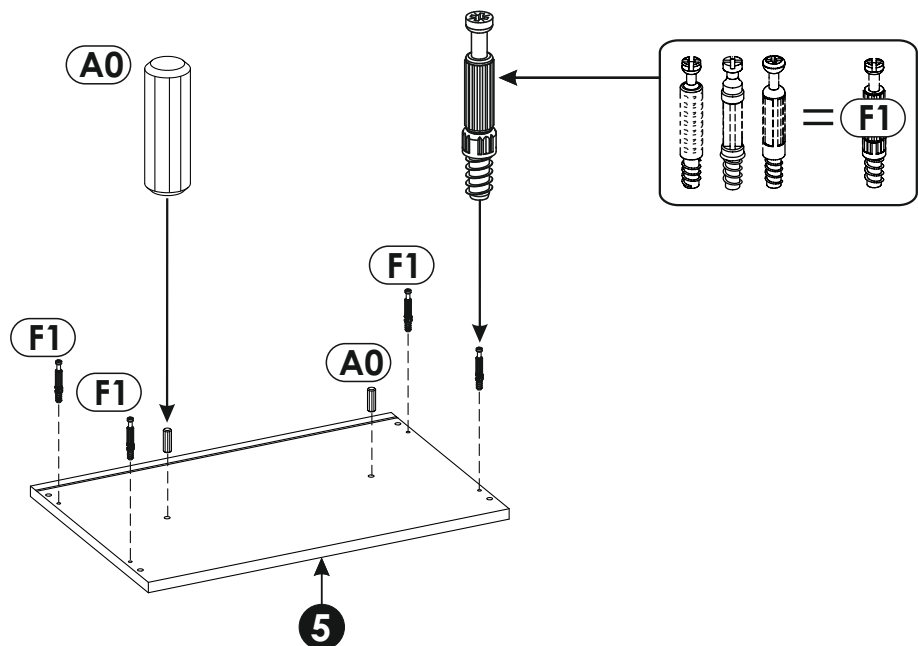
5 ▶



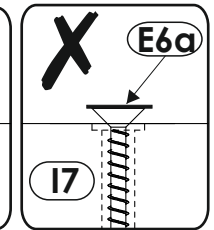
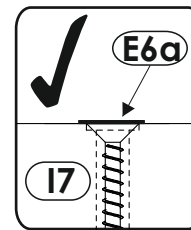
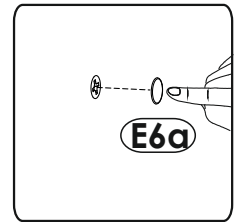
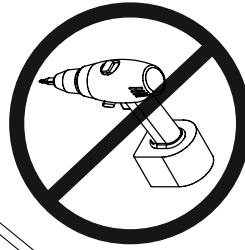
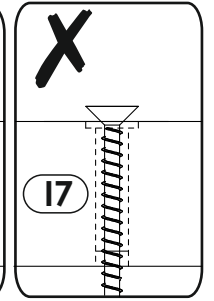
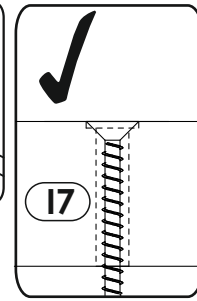
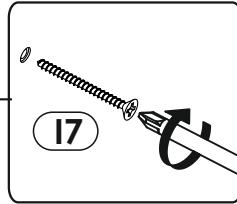
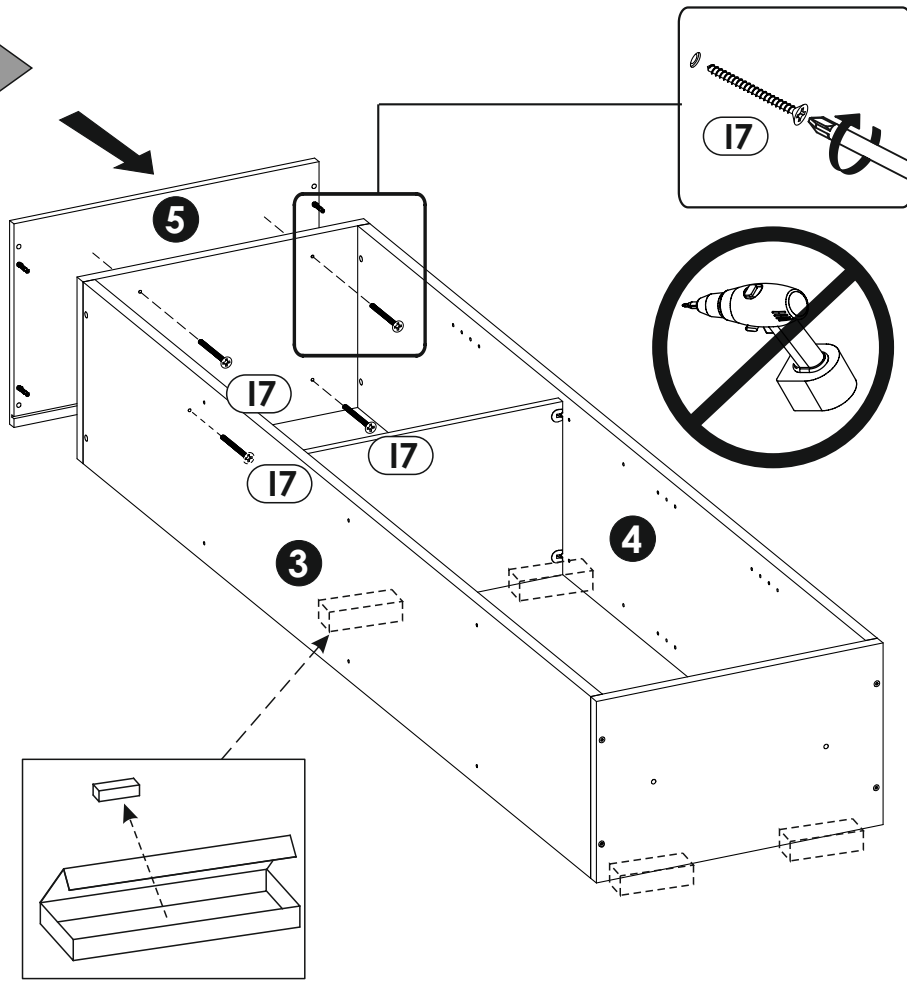
6 ▶



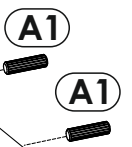
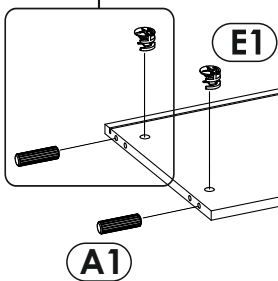
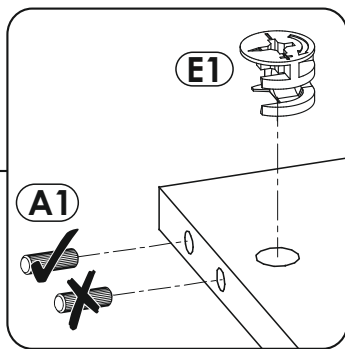
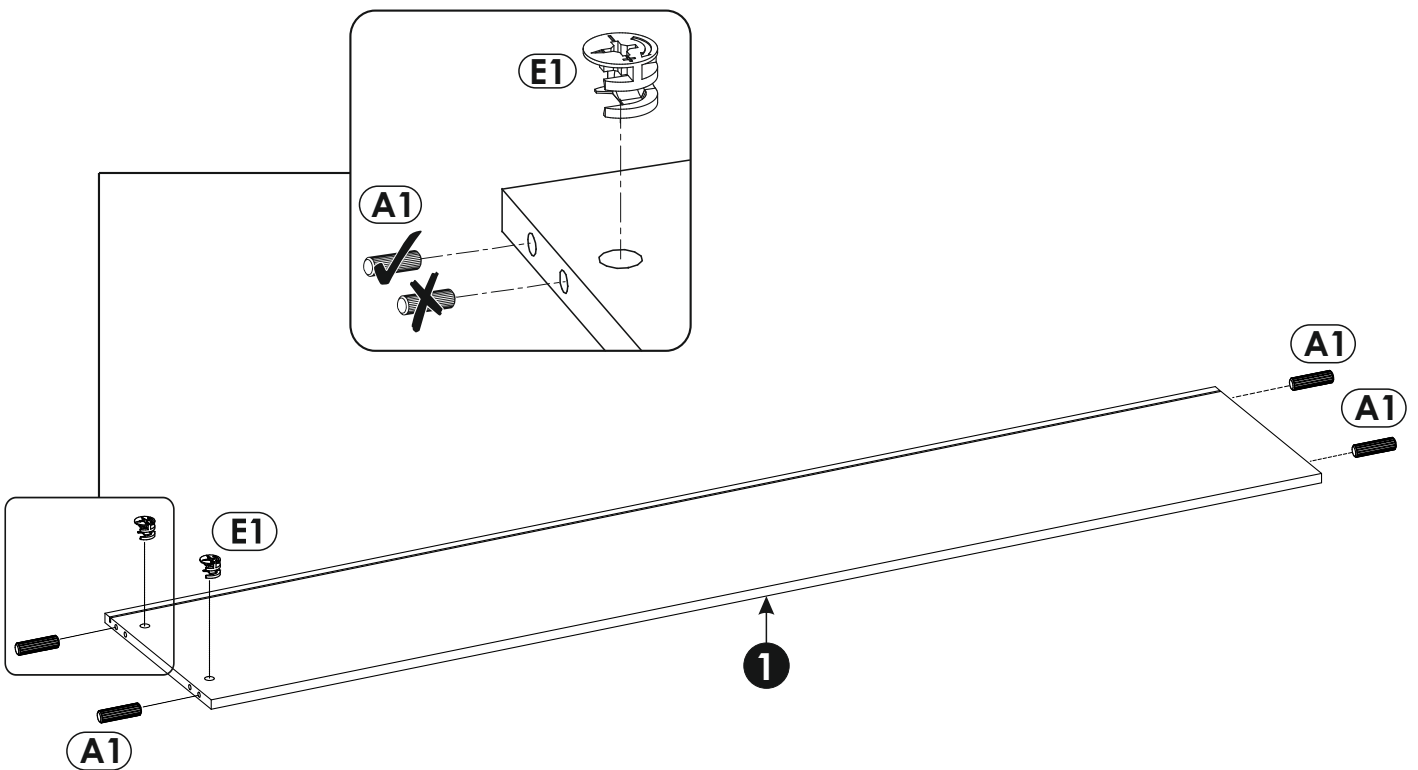
7 ▶



8 ▶

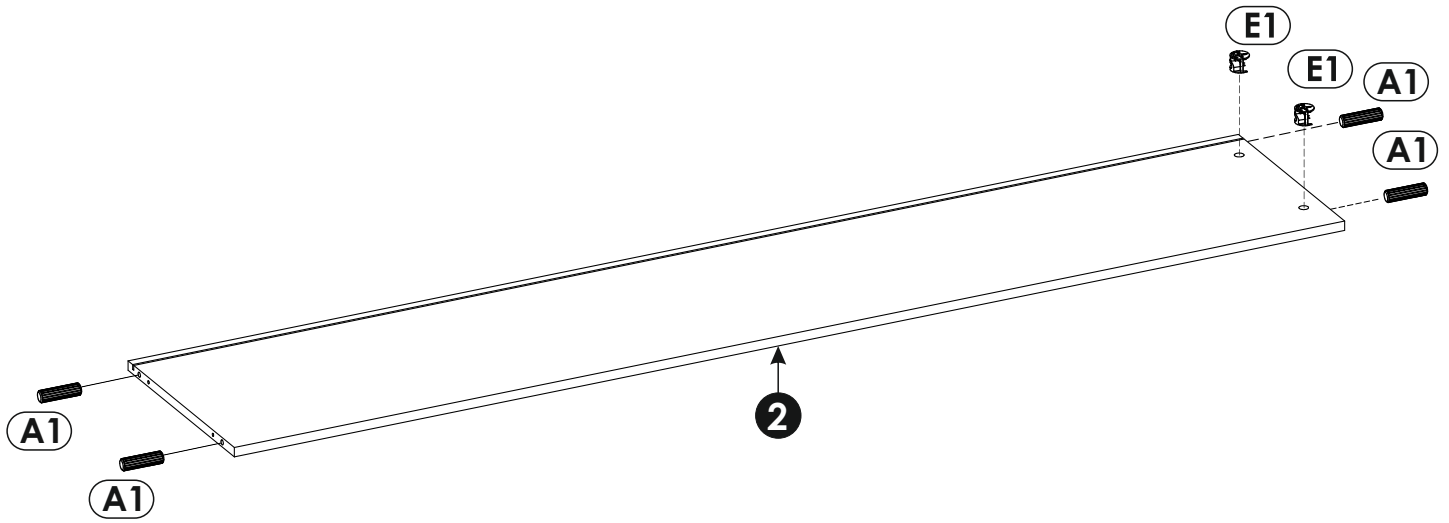


9 ▶

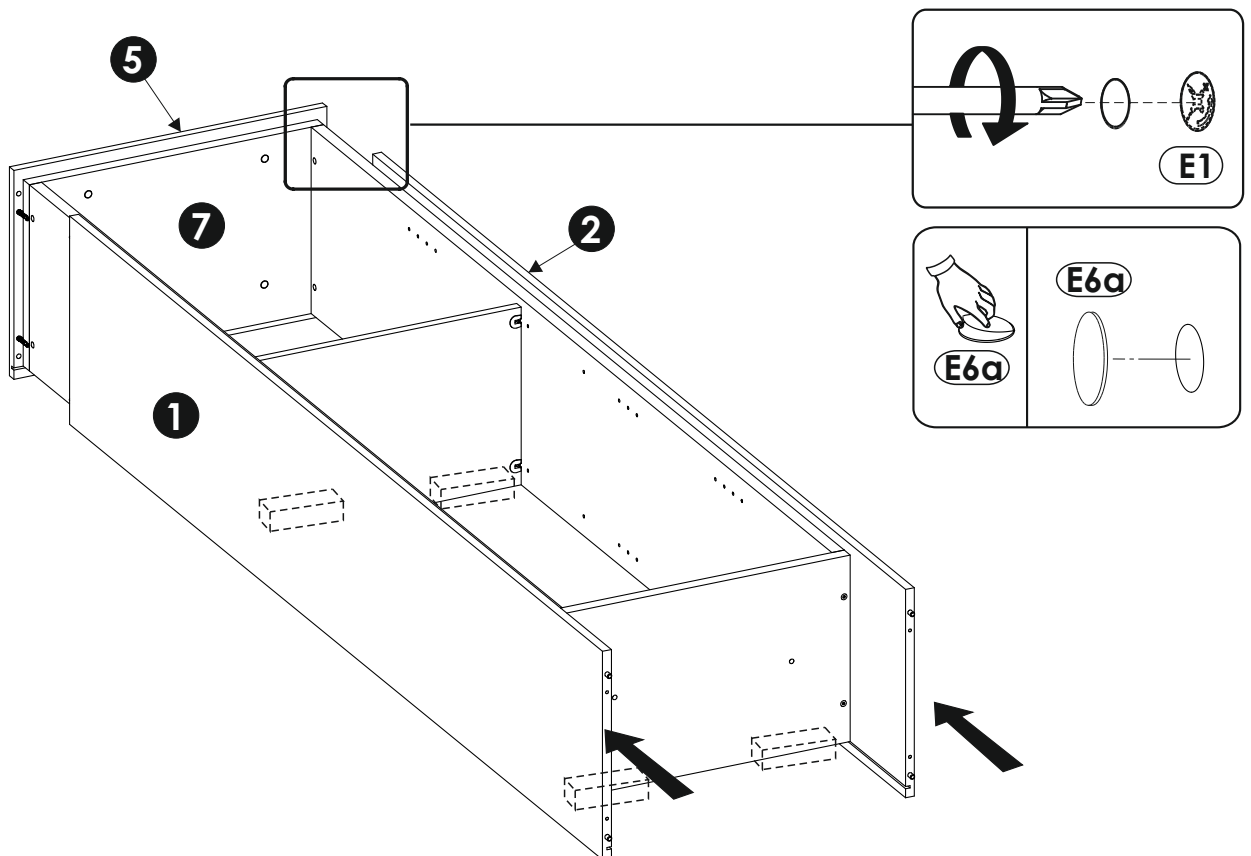


1

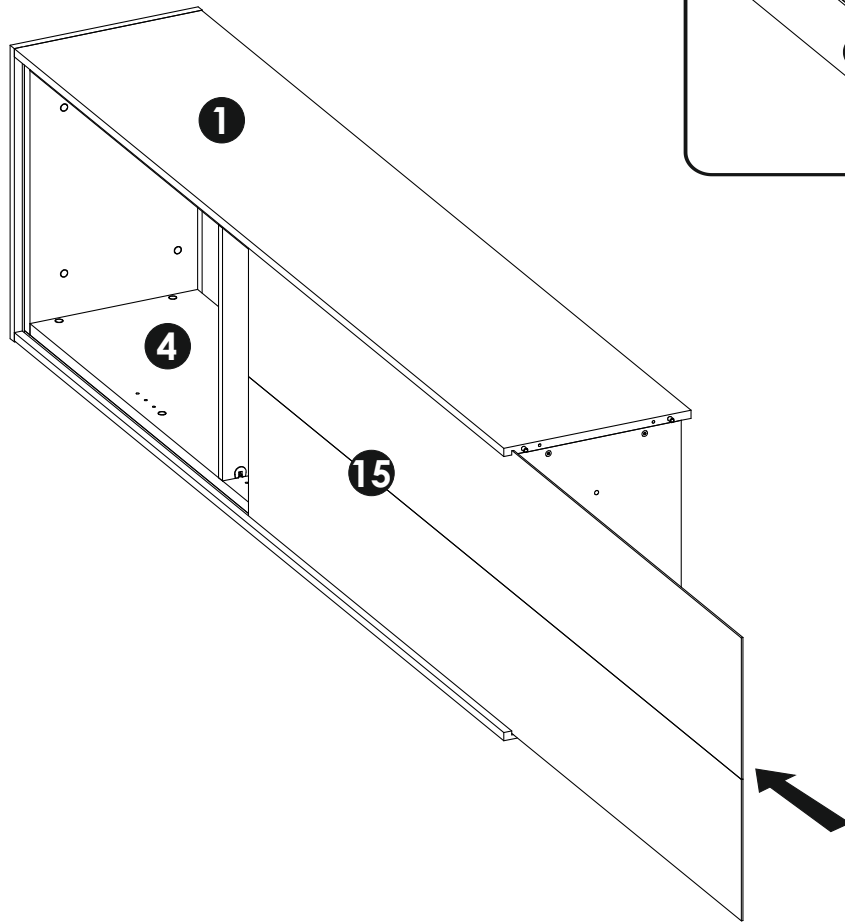
10 ▶



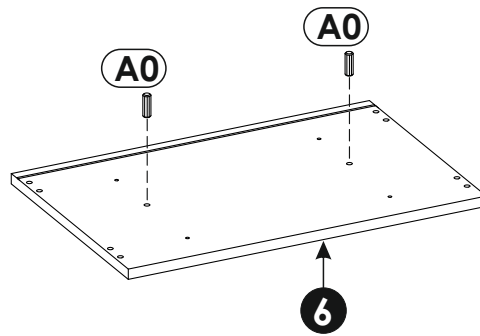
11 ▶



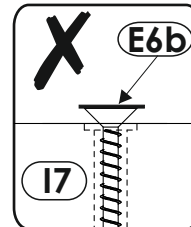
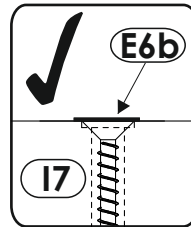
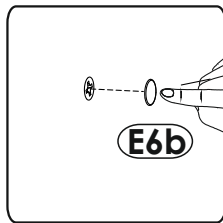
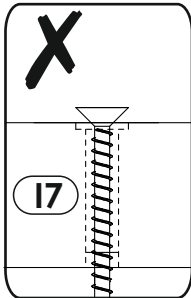
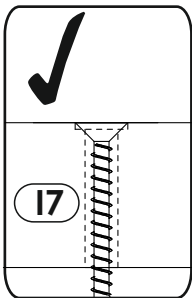
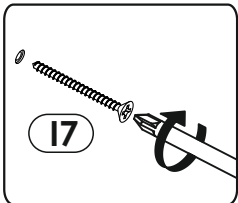
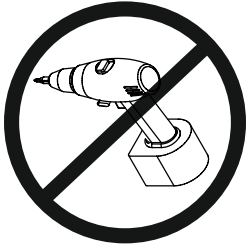
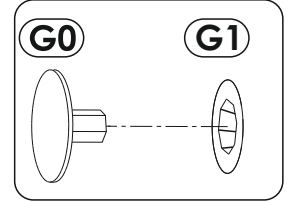
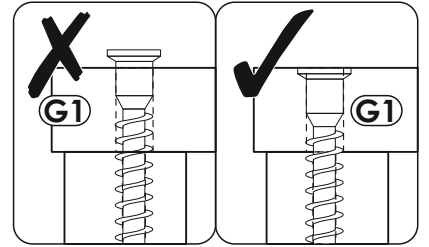
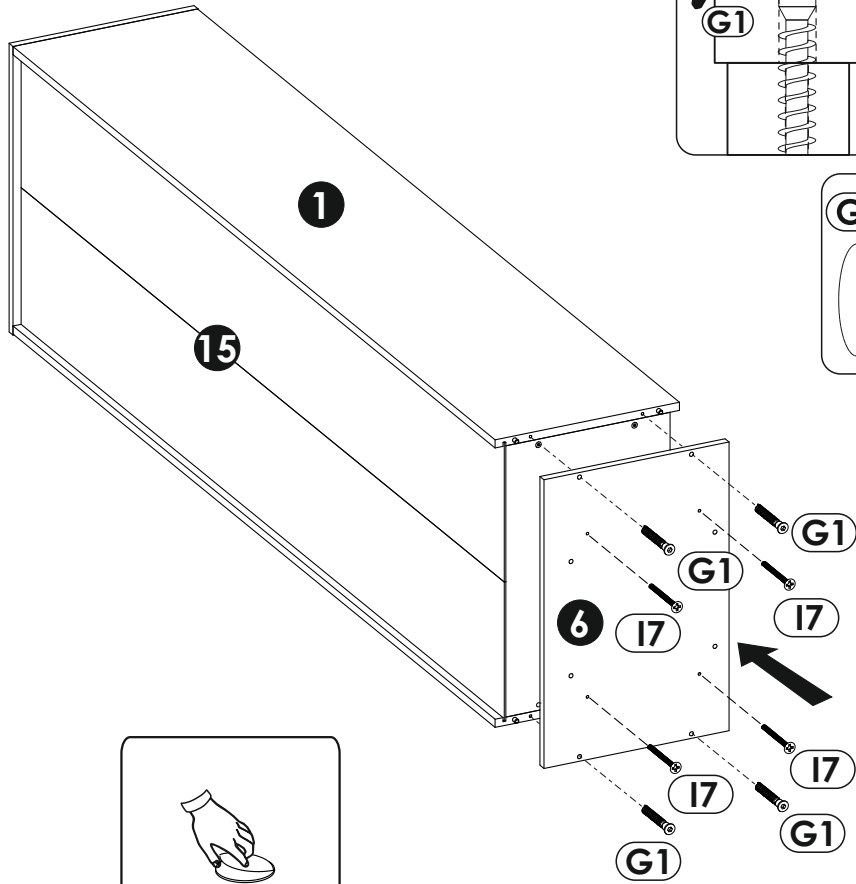
12 ▶



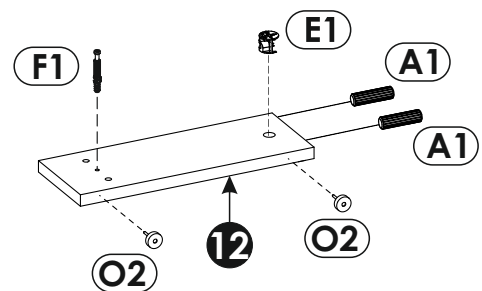
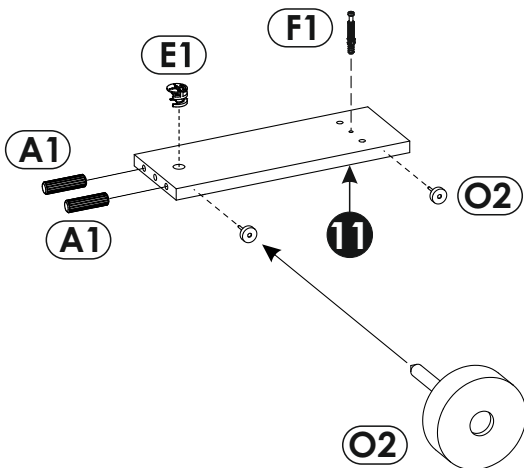
13 ▶



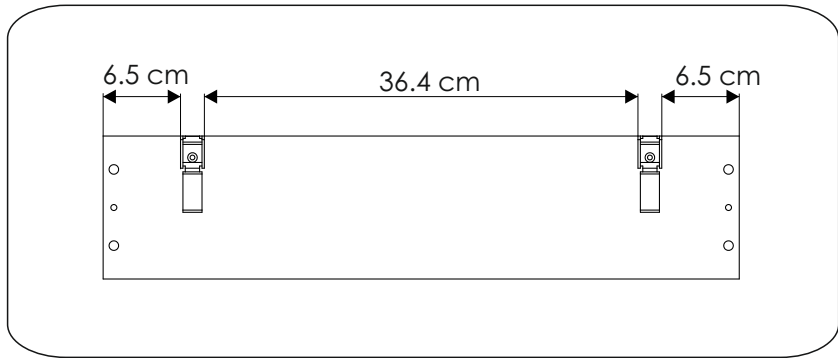
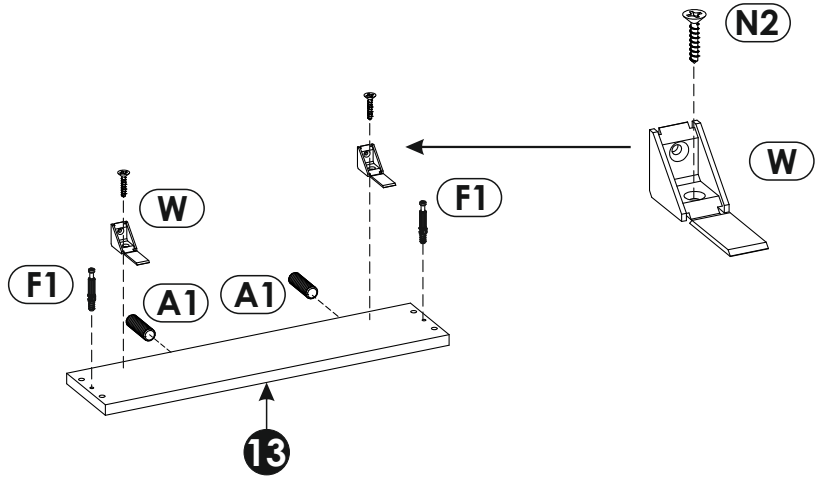
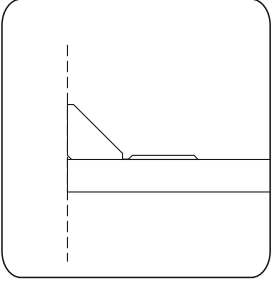
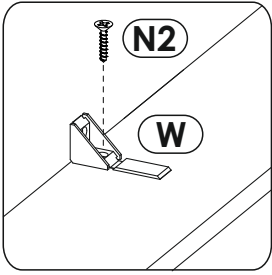
14 ▶



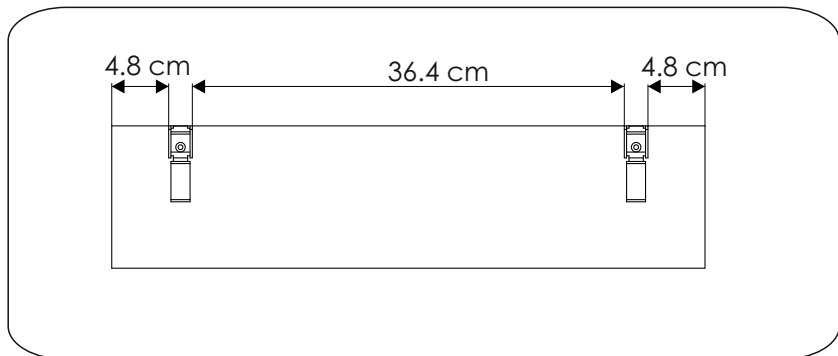
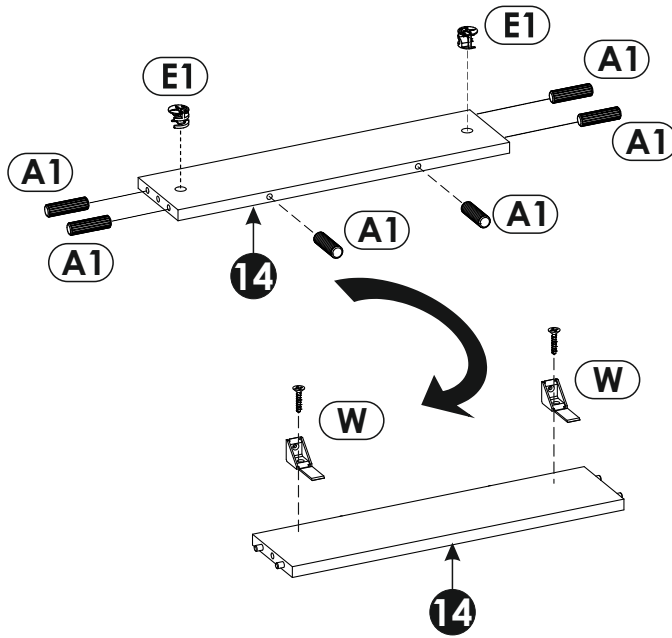
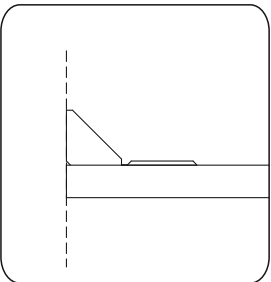
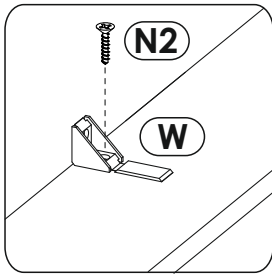
15 ▶



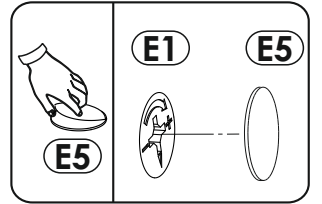
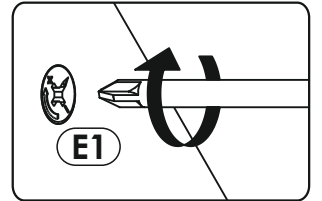
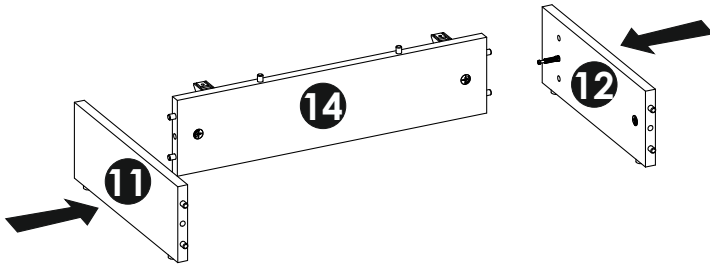
16 ▶



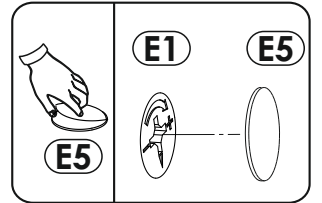
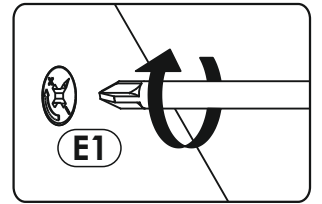
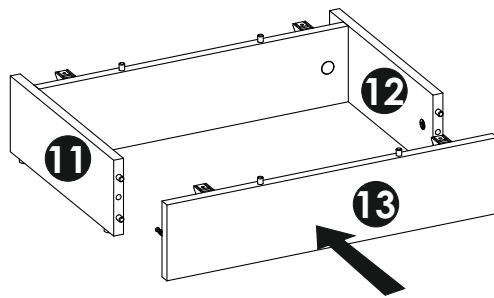
17 ▶



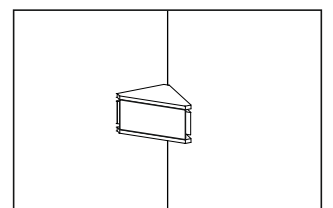
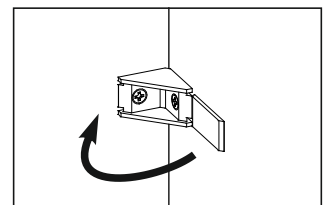
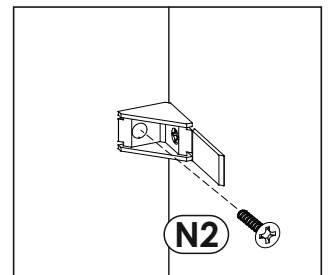
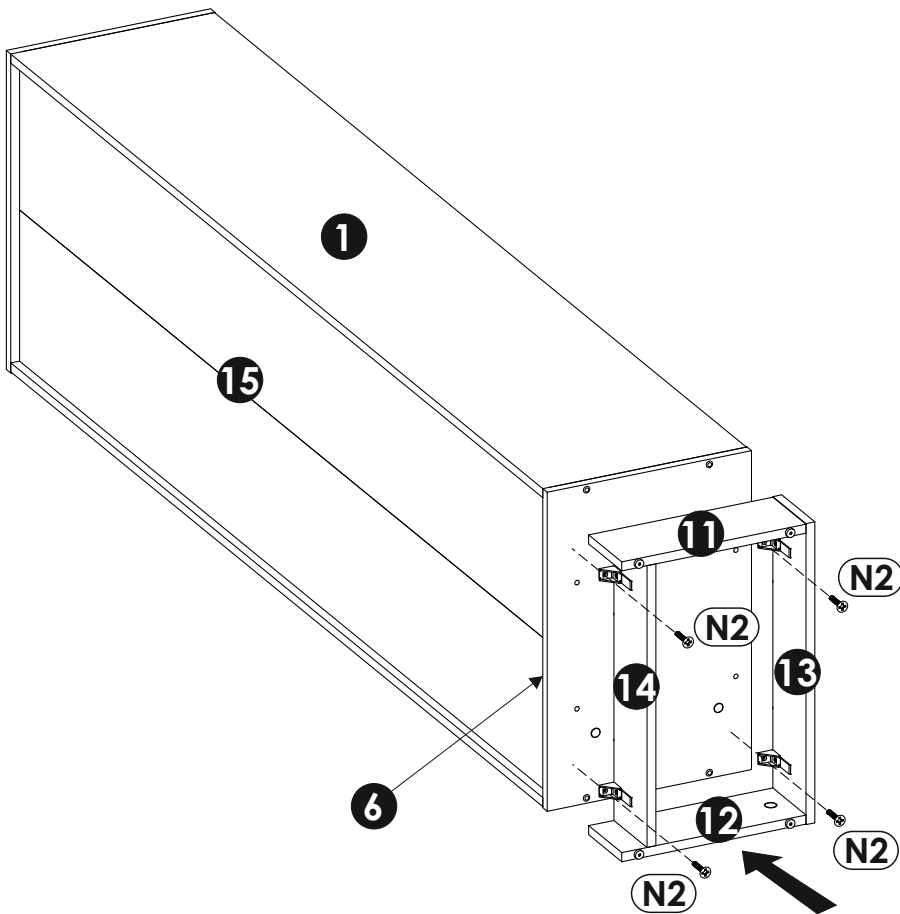
18 ▶



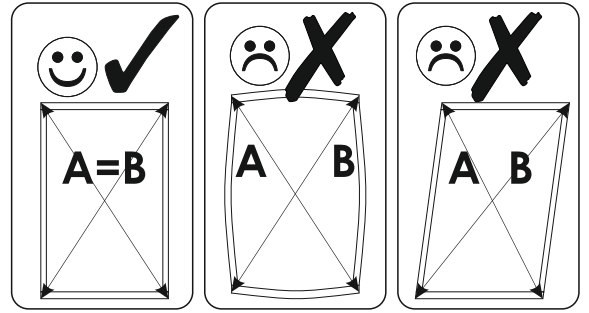
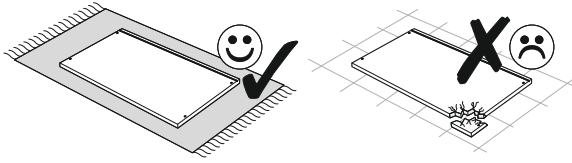
19 ▶



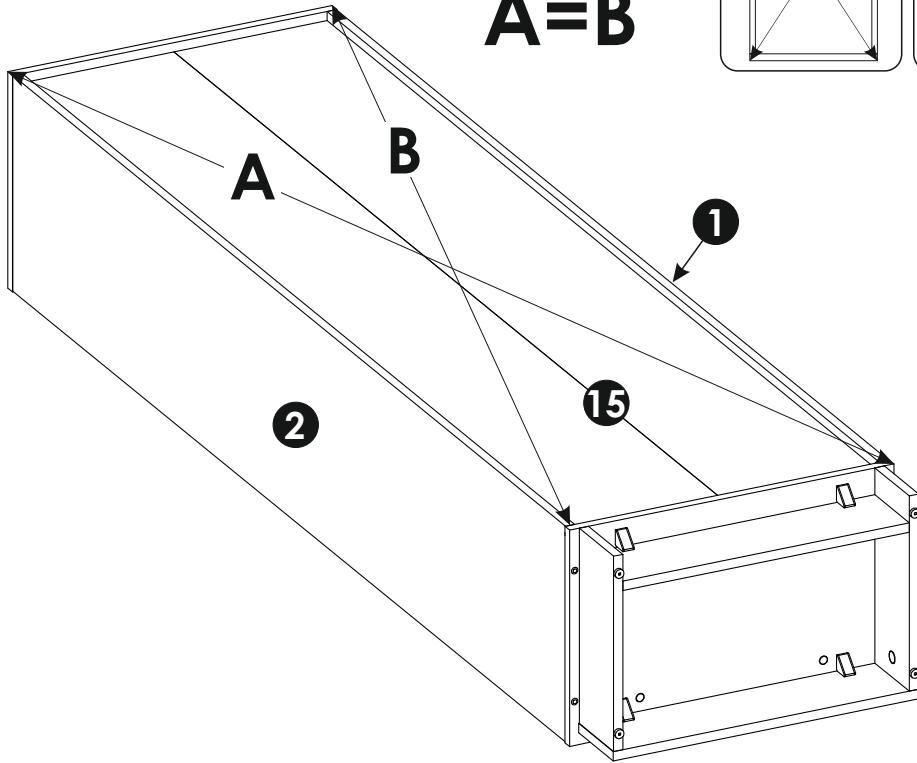
20 ▶



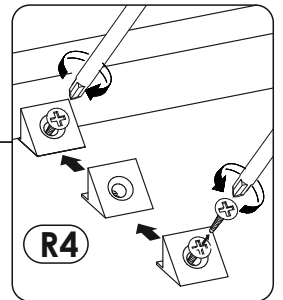
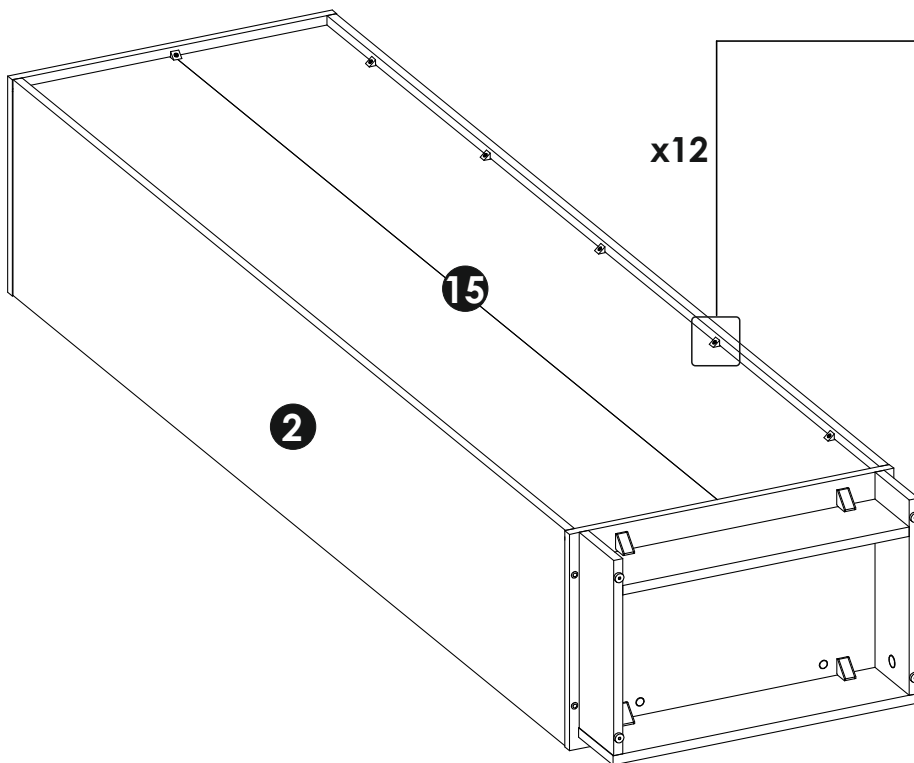
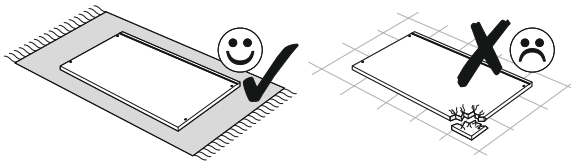
21 ▶

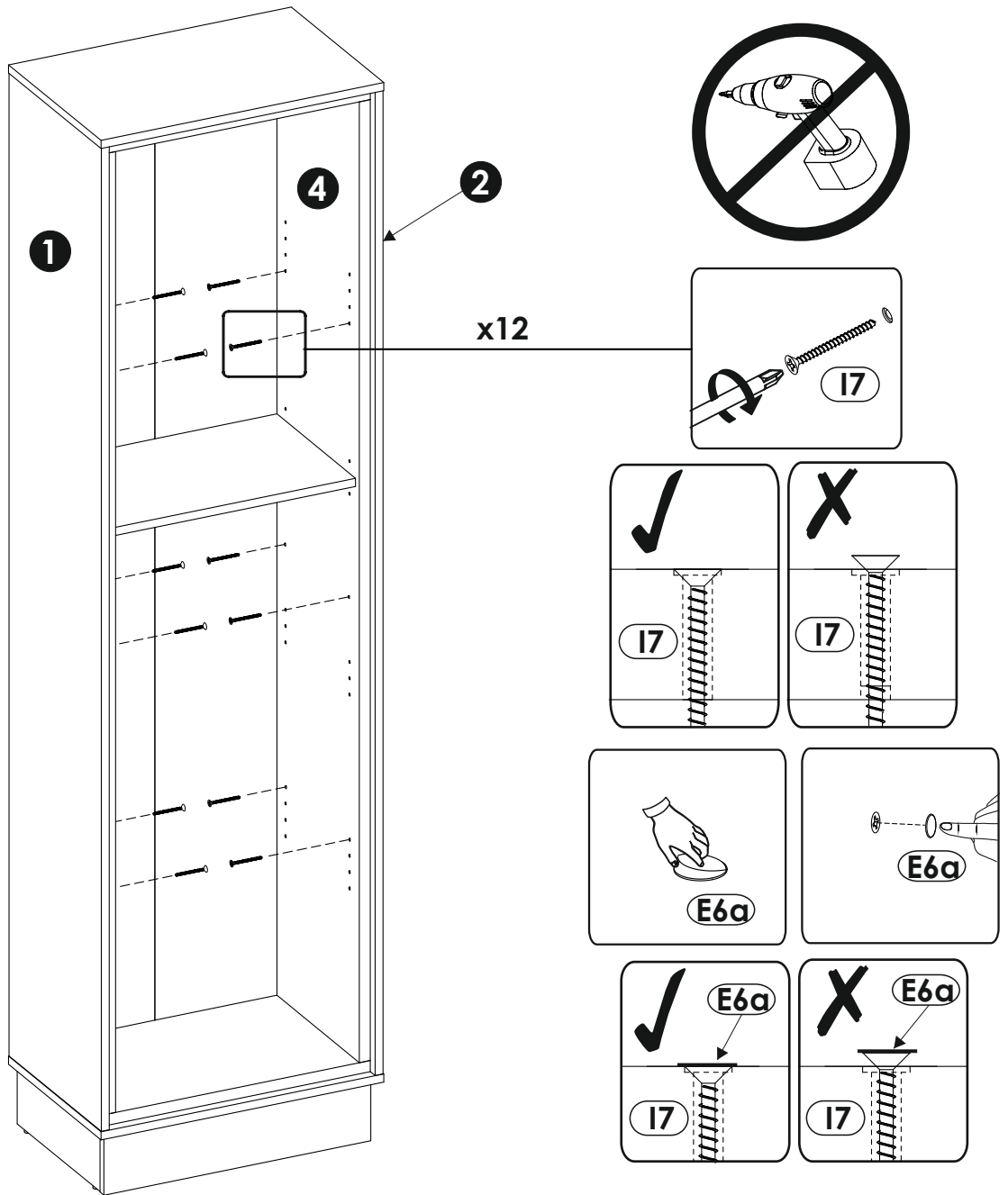


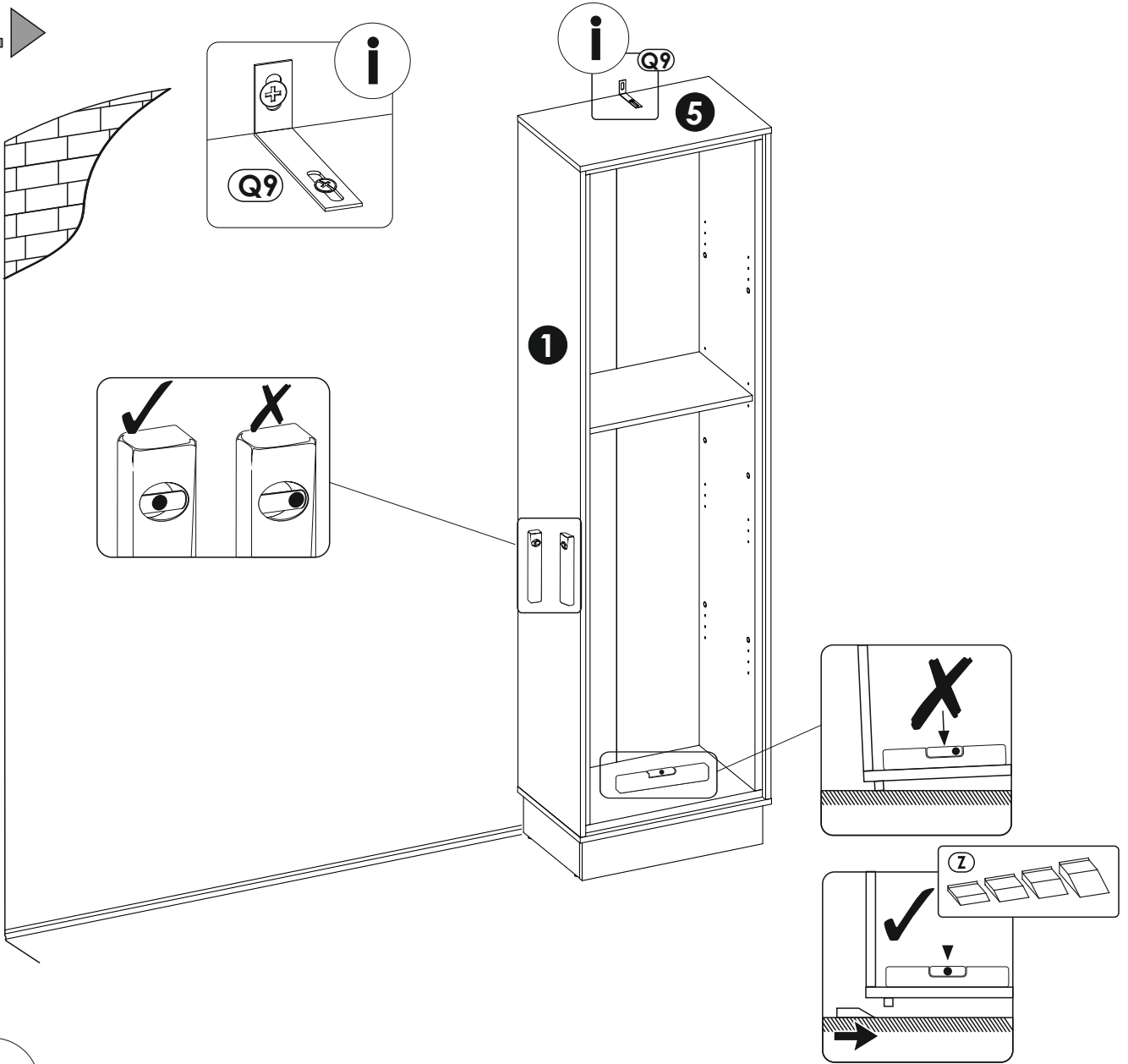
A=B



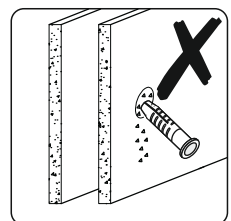
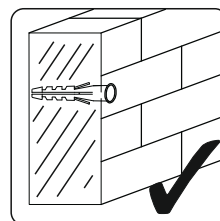
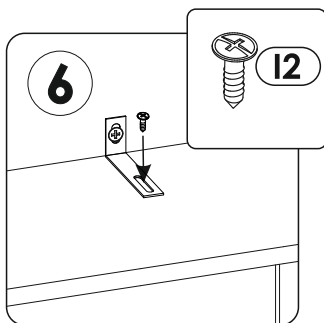
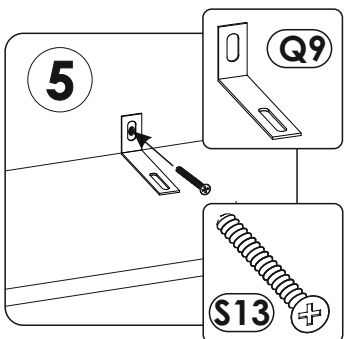
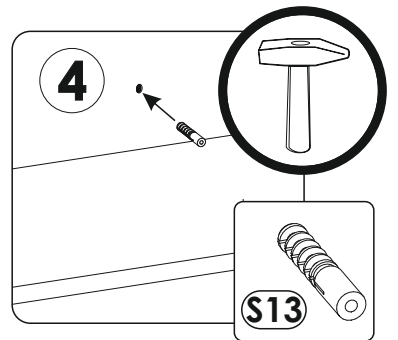
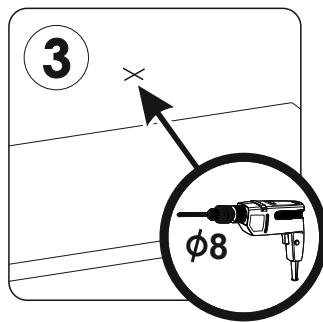
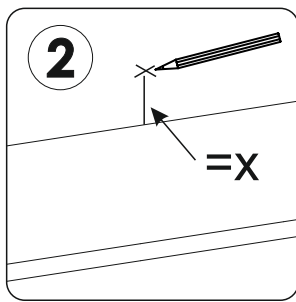
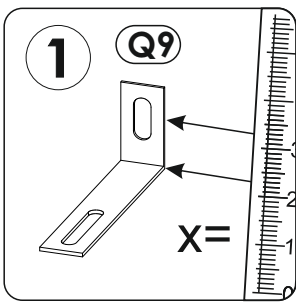
22 ▶



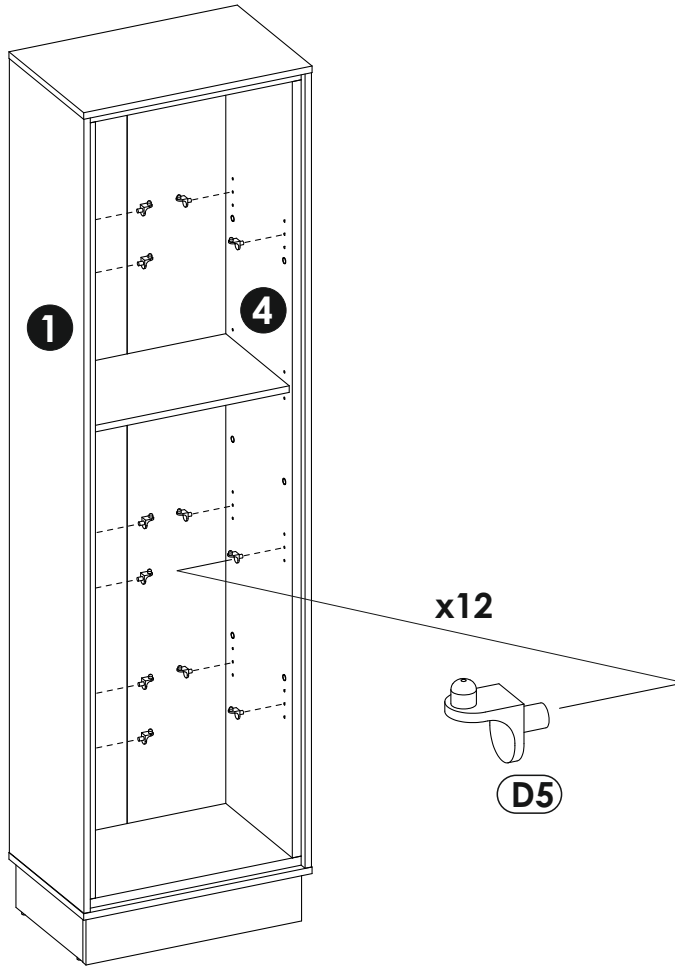
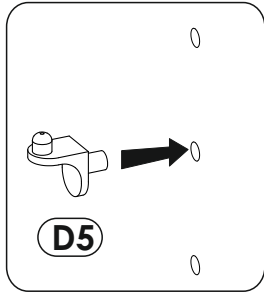




i



25▶



26▶

