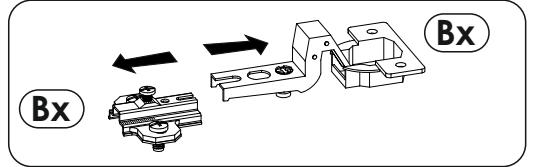
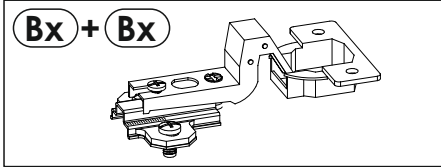
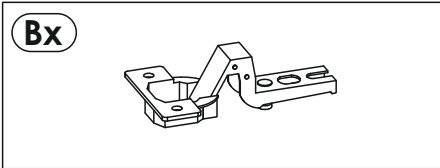
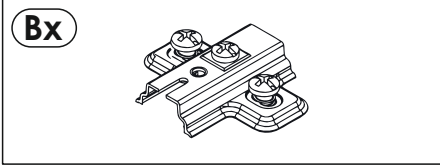


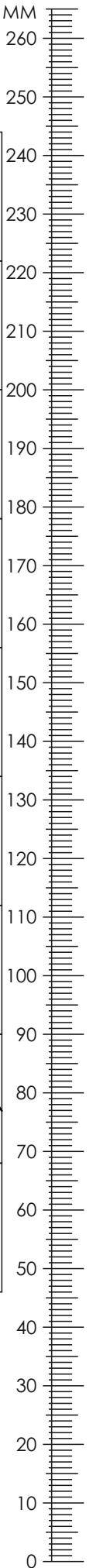


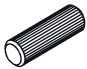
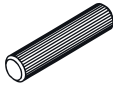
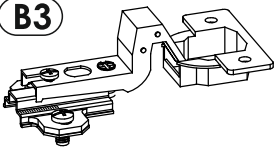





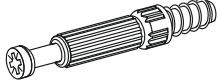

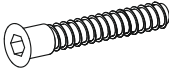
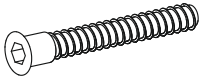




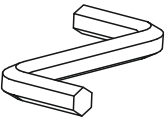

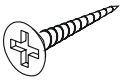
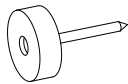
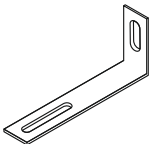
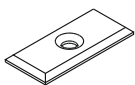
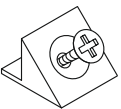
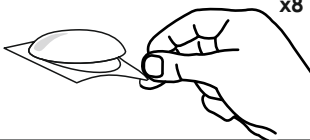
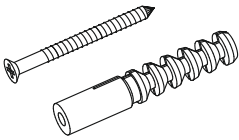
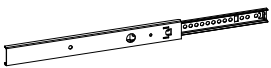
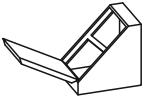
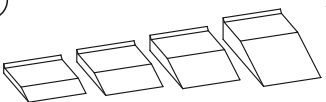
A

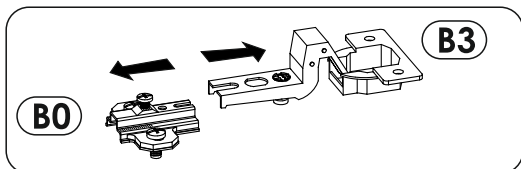


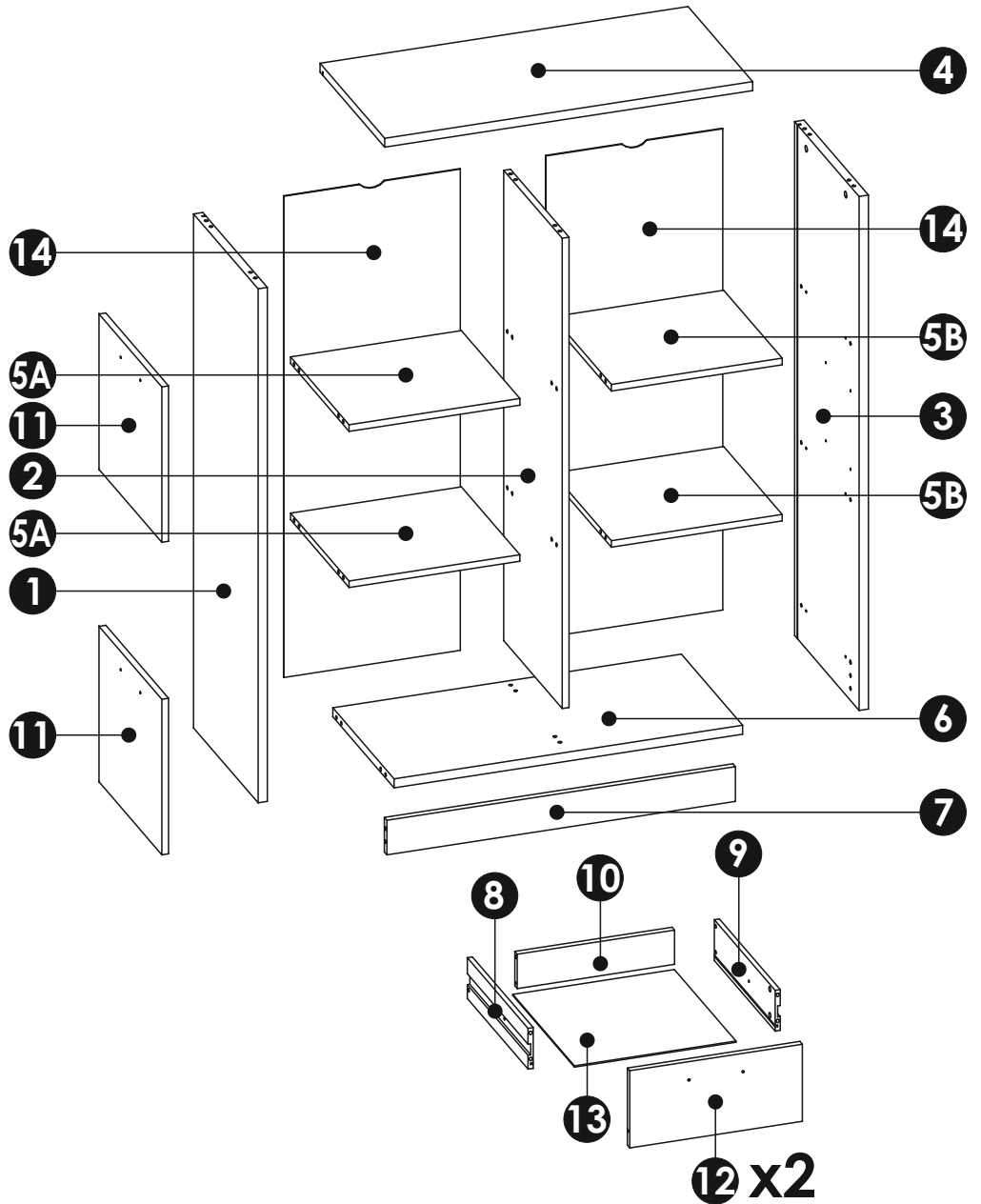
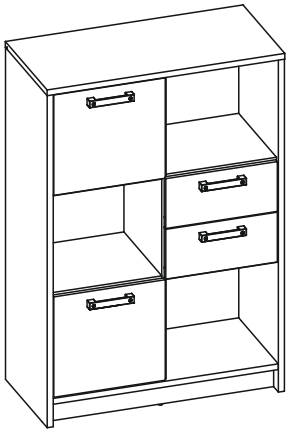
B





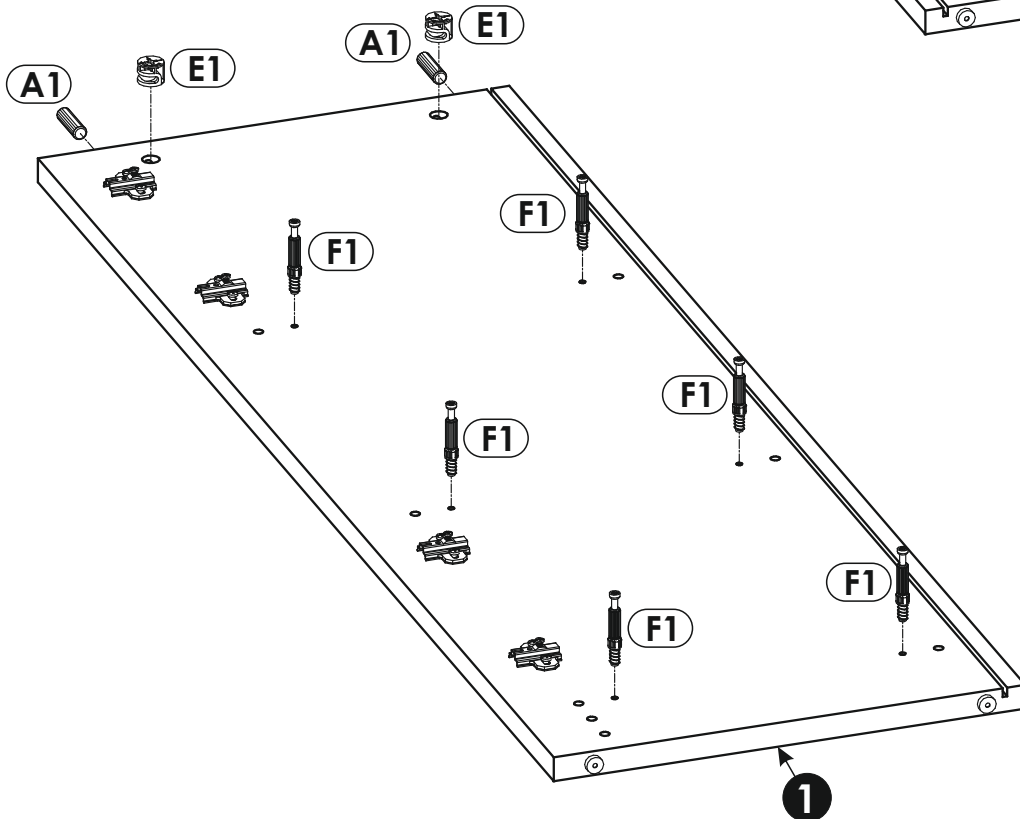
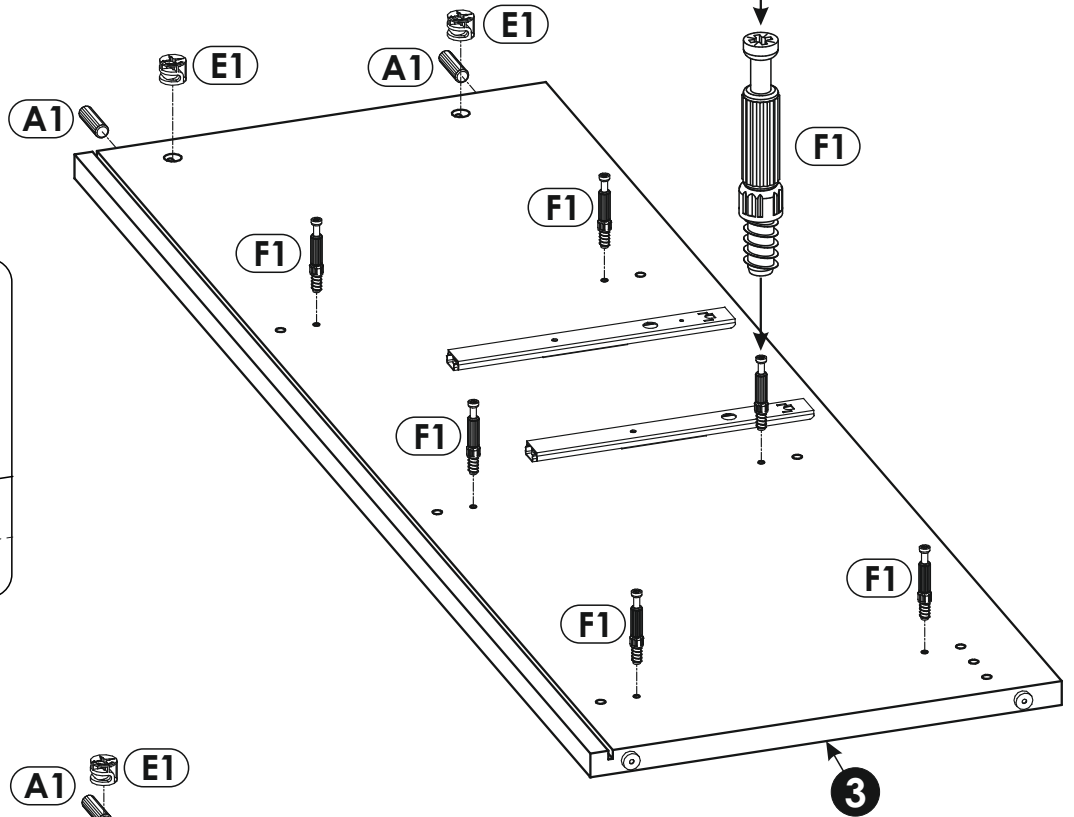
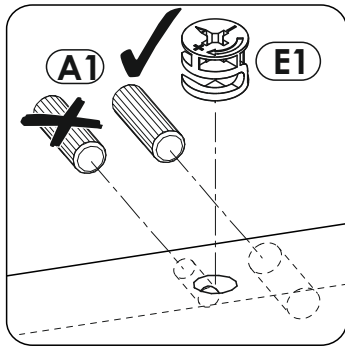
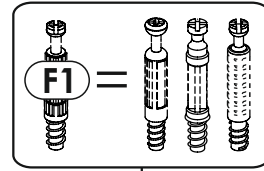
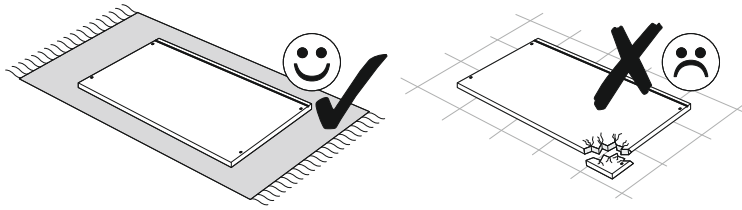
A1 8 x 35 mm x28 	A3 8 x 60 mm x4 	B0 + B3 x4 
C1 4 x 13 mm x8 	C2 5 x 13 mm x8 	E0 x18 
E1 15 x 12 mm x26 	E3 13 x 10,7 mm x8 	F1 6 x 34 mm x26 
F2 7 x 82 mm x4 	G1 7 x 50 mm x4 	G2 7 x 60 mm x2 
H1 x4 	I2 4 x 16 mm x2 	I6 4 x 27 mm x8 
K1 4 x 9 mm x4 	M x1 	N1 3 X 16 mm x25 
N2 3,5 X 16 mm x4 	O2 x5 	Q9 x2 
R1 x7 	R4 x10 	R8 x8 
S13 x2  ø8	T3 L-251 x4 	W x2 
Z x1 		



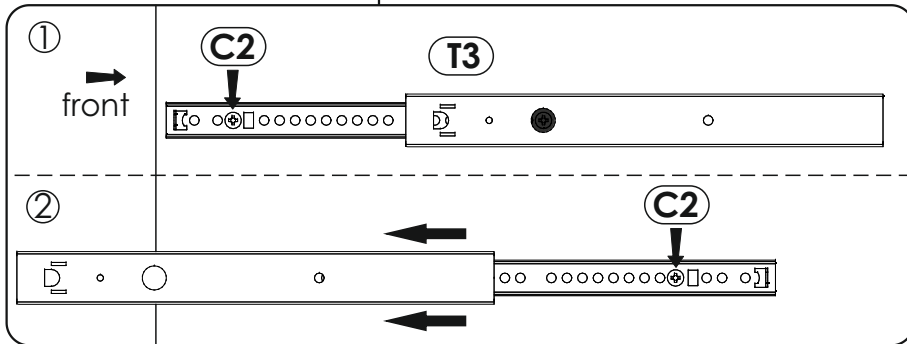
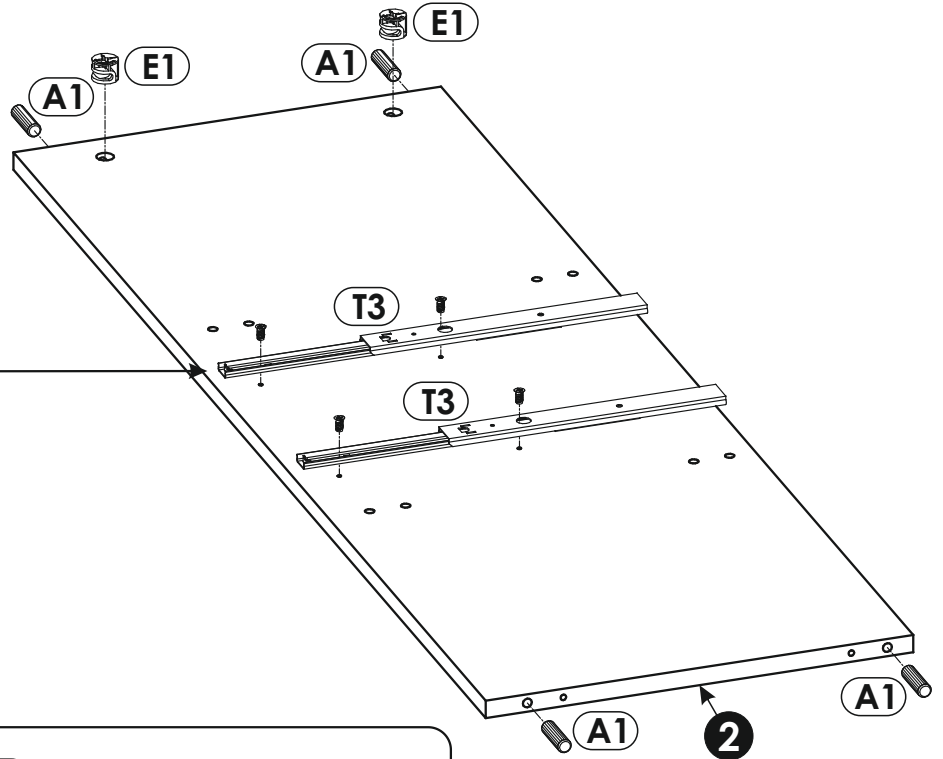
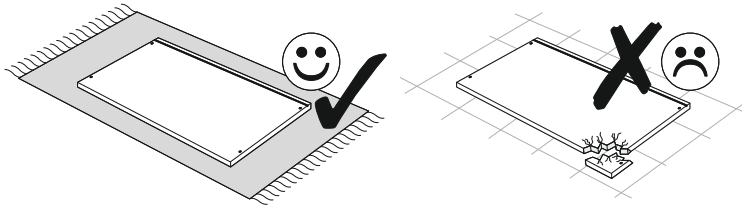


1	1260	419	22	x1	2/2
2	1153	380	16	x1	2/2
3	1260	419	22	x1	2/2
4	870	420	22	x1	1/2
5A	404	380	16	x2	1/2
5B	404	380	16	x2	1/2
6	824	398	22	x1	1/2
7	824	85	16	x1	1/2
8	350	100	12	x2	1/2
9	350	100	12	x2	1/2
10	372	84	12	x2	1/2
11	381	408	16	x2	1/2
12	408	189	16	x2	1/2
13	382	355	3	x2	1/2
14	1180	418	3	x2	2/2

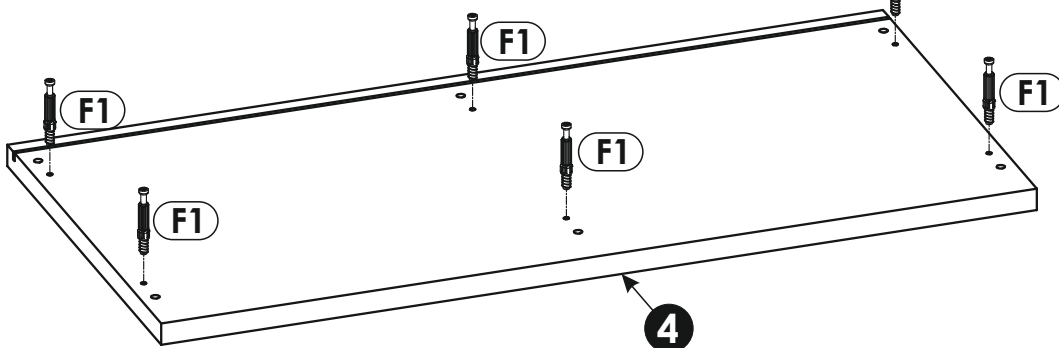
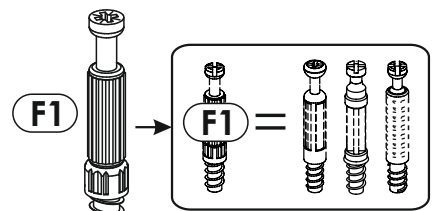
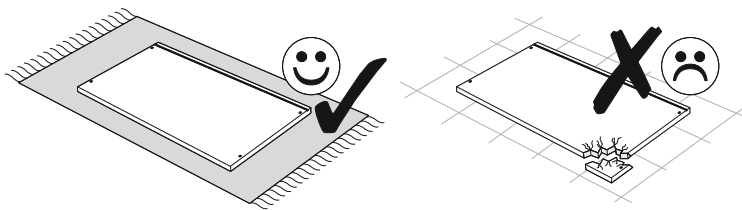
2 ▶



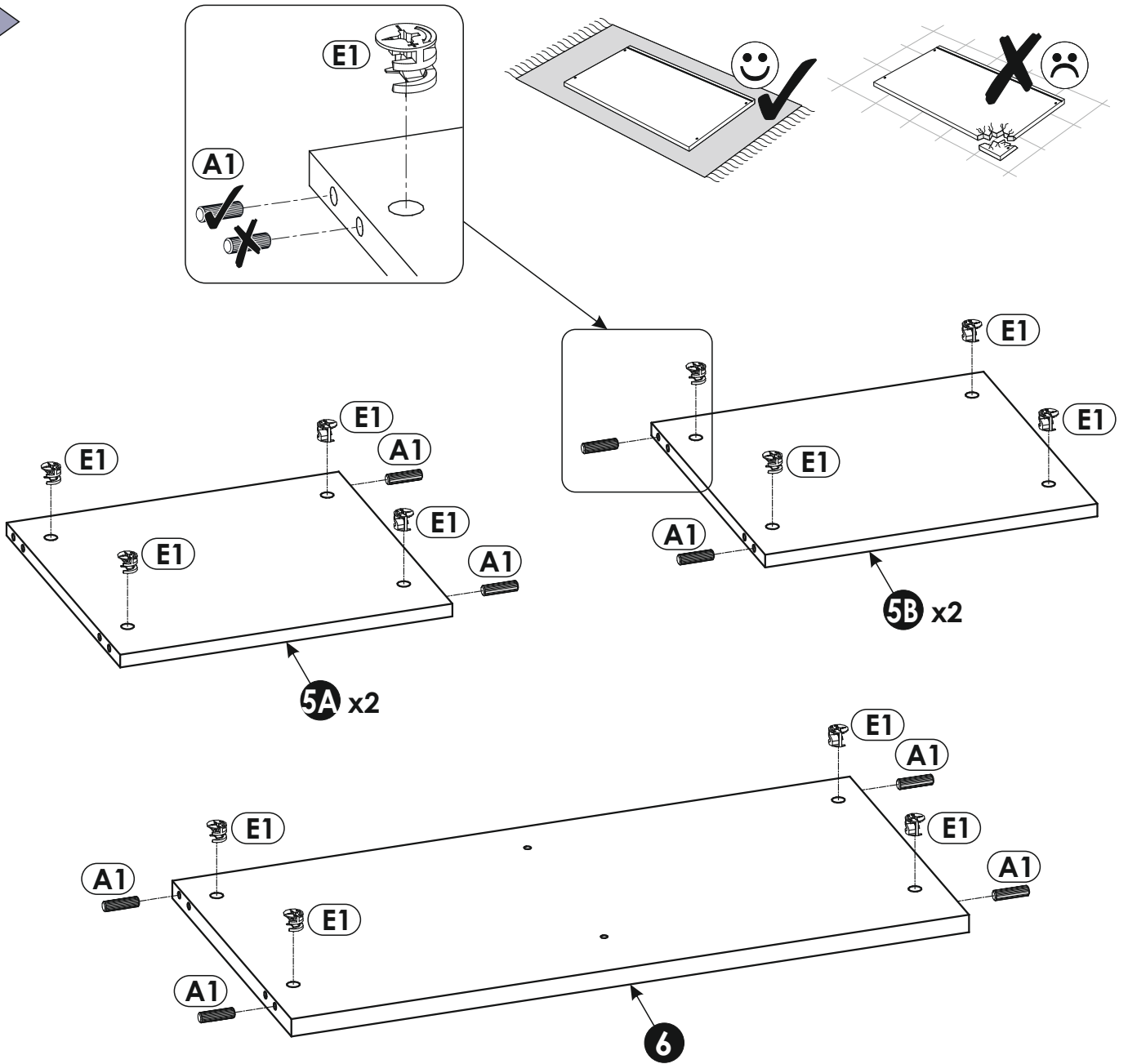
3 ▶



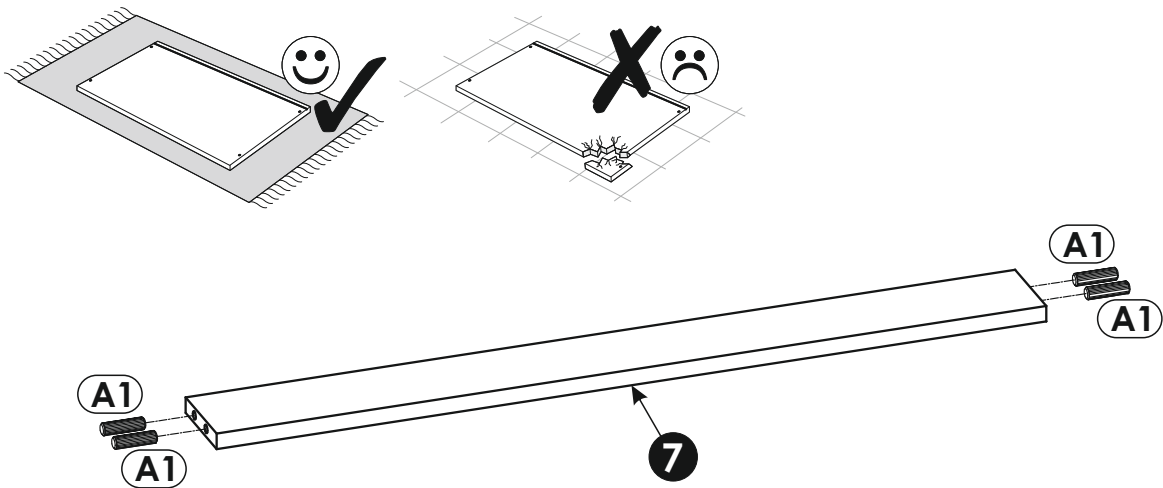
4 ▶

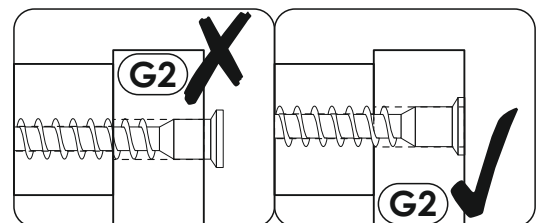
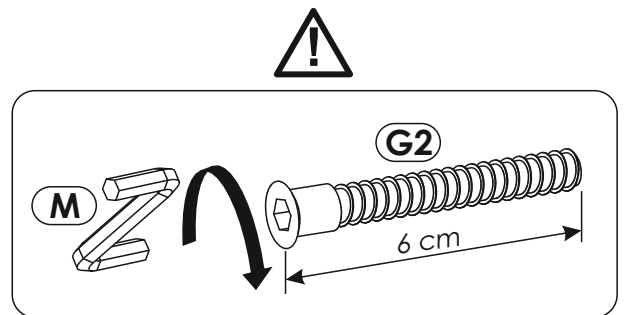
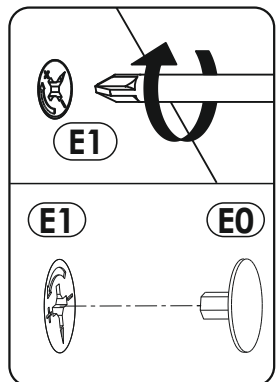
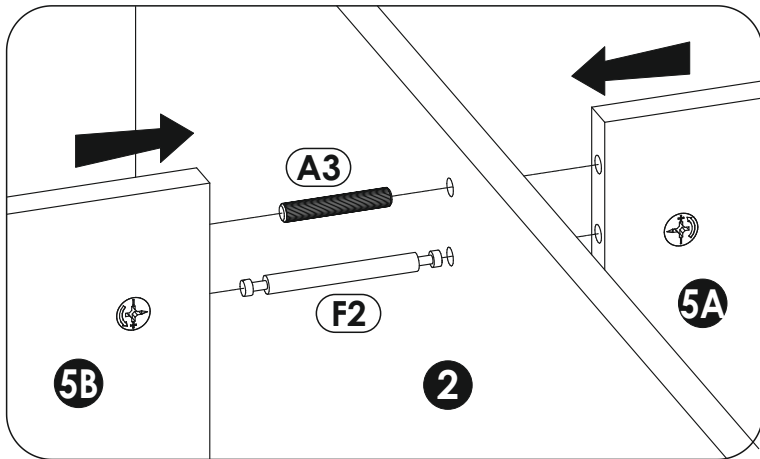
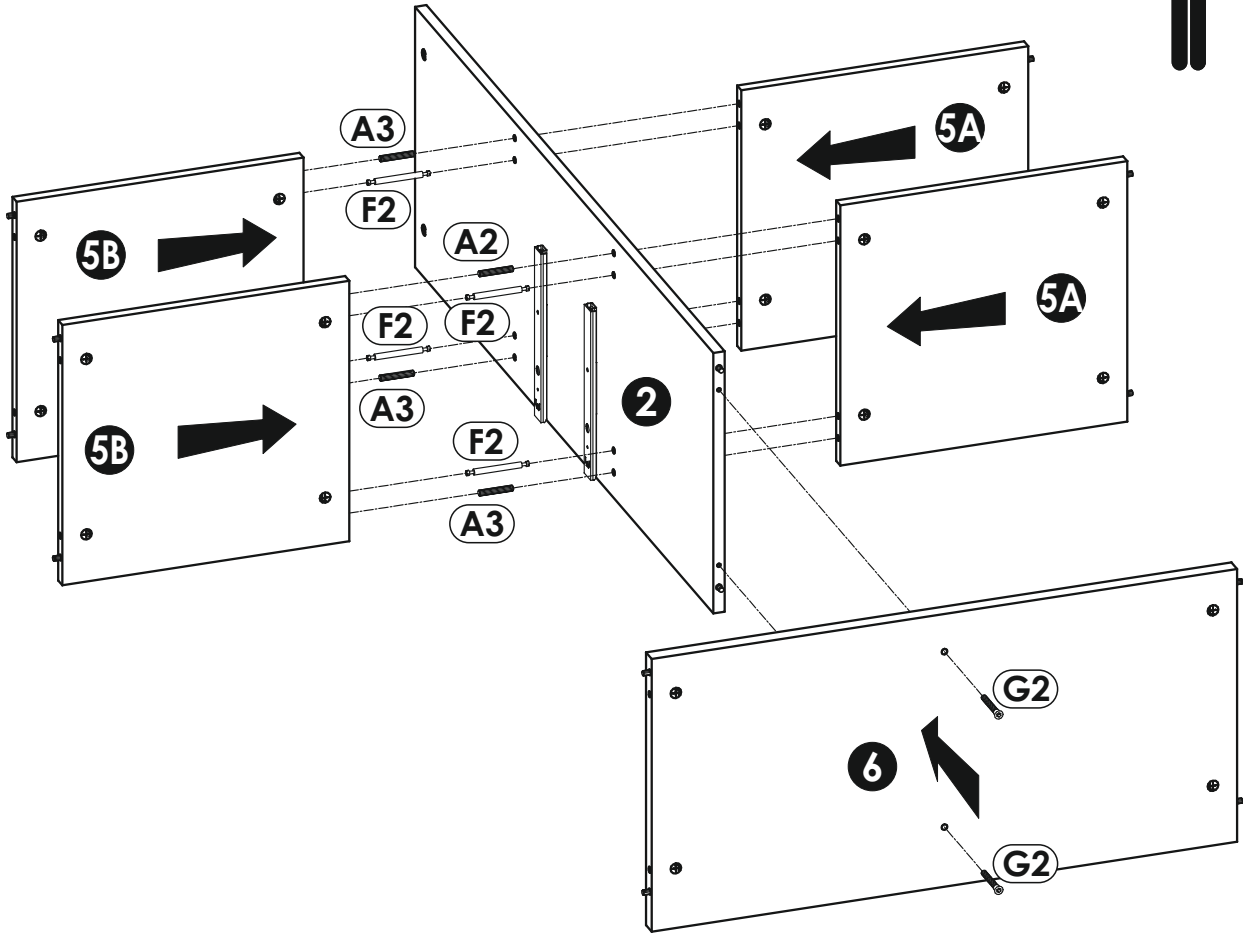
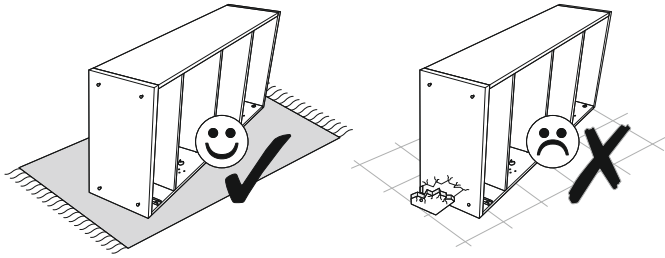


5 ▶

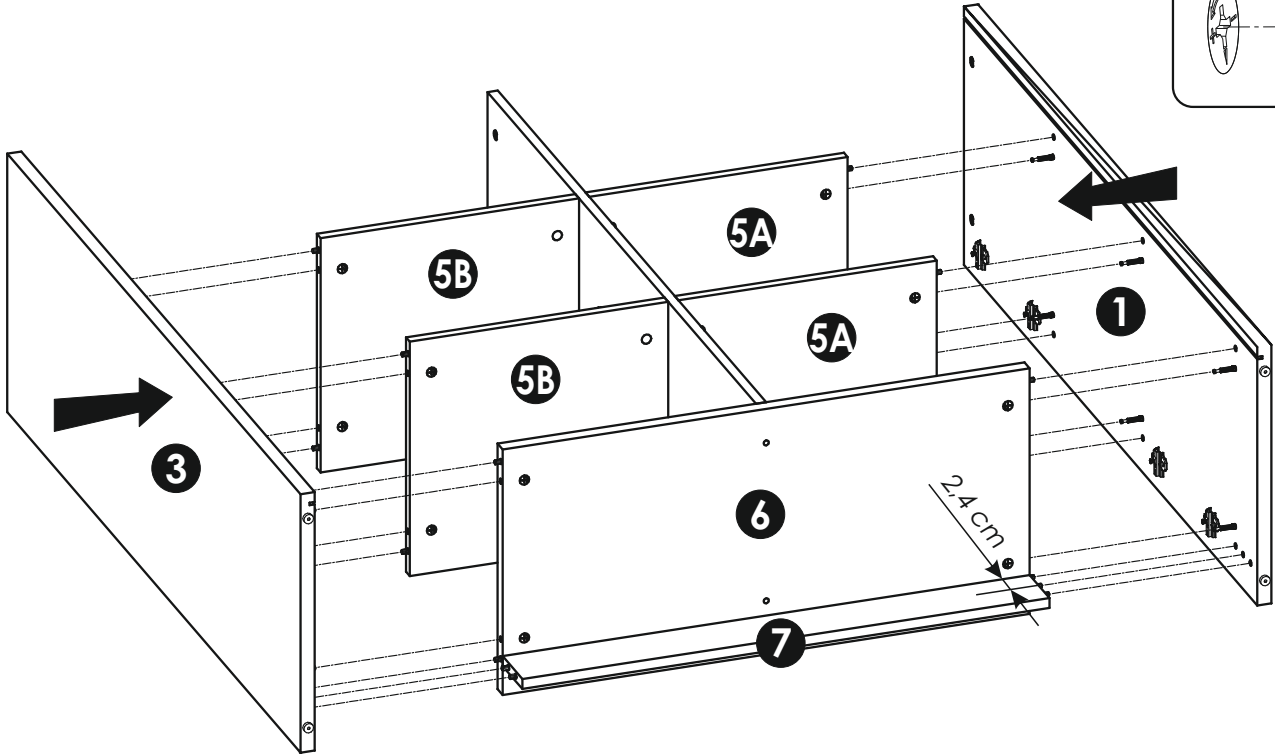
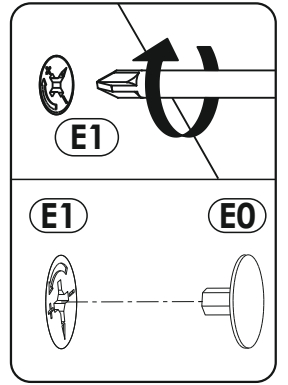
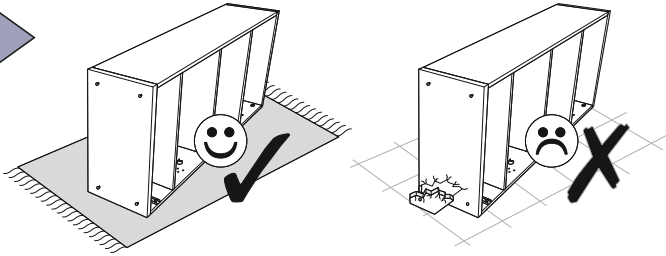


6 ▶

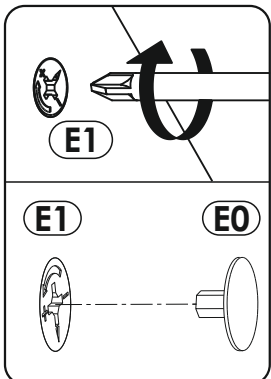
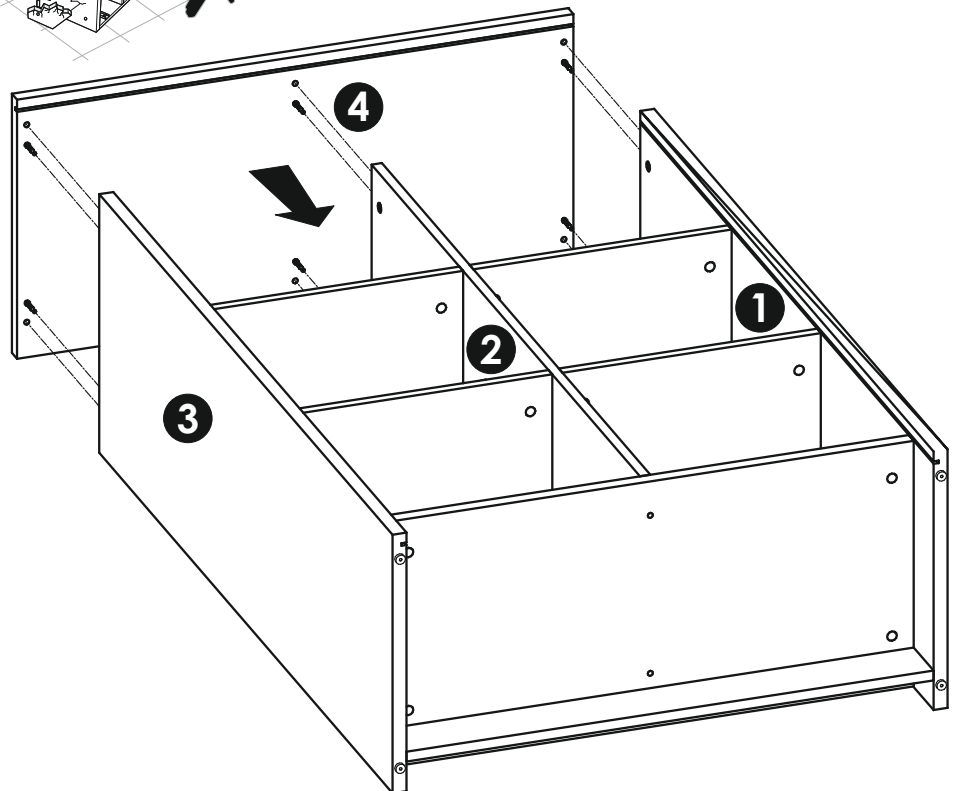
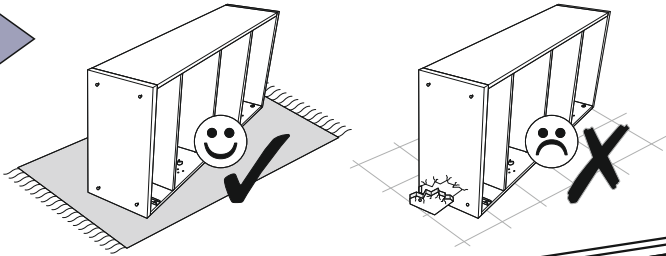




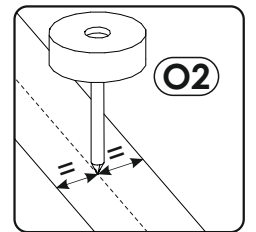
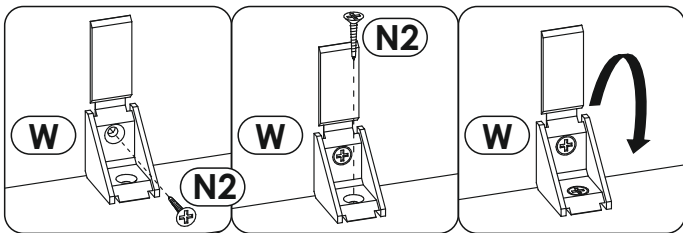
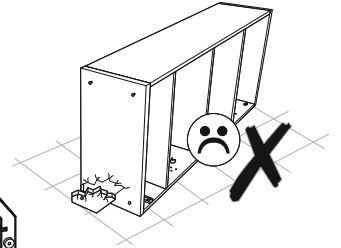
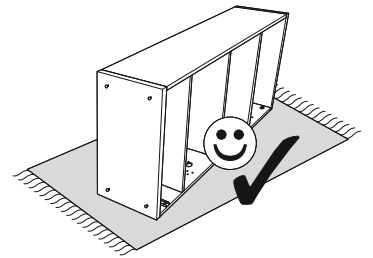
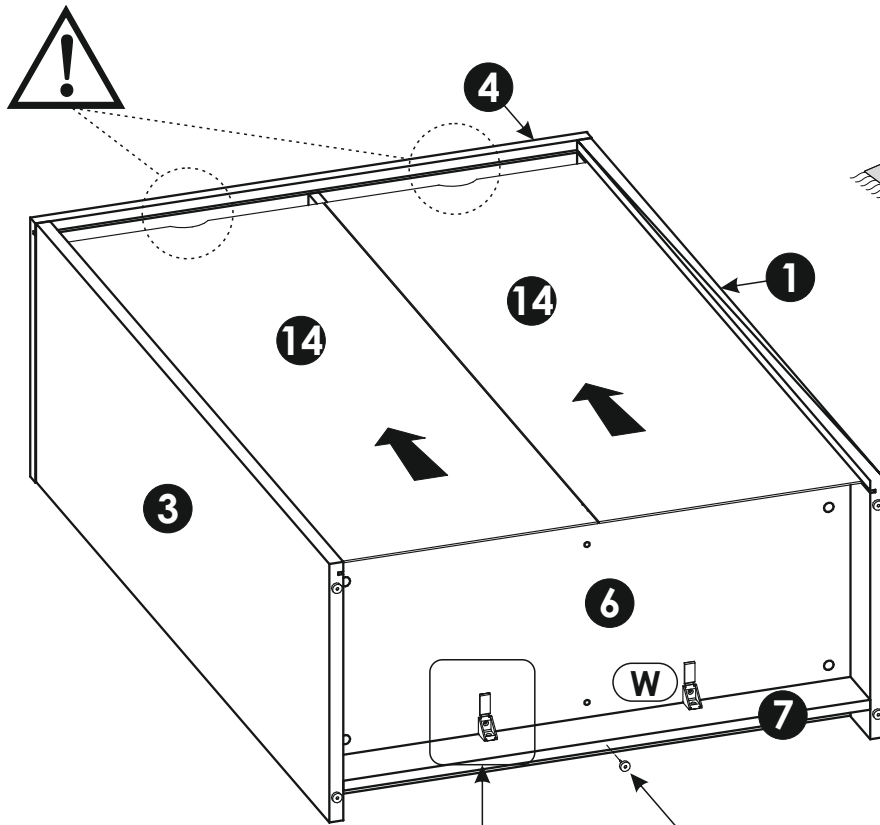
8 ▶



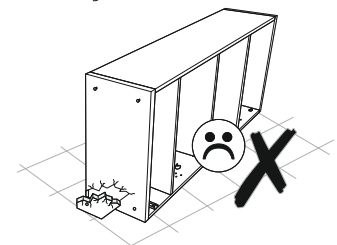
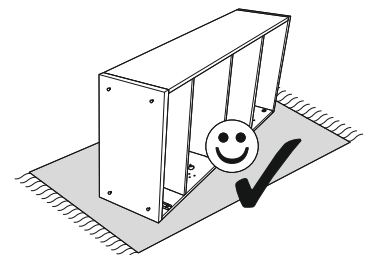
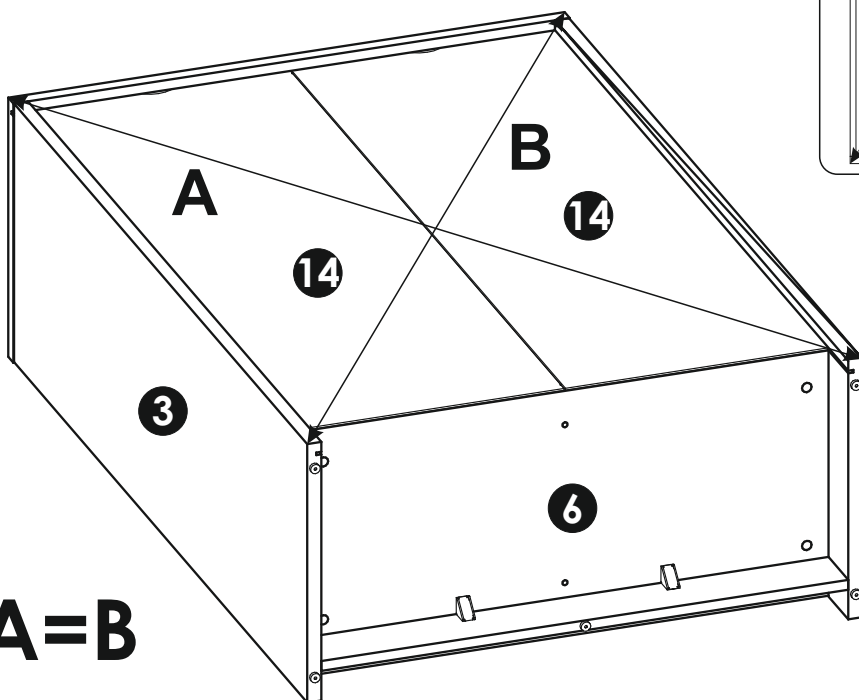
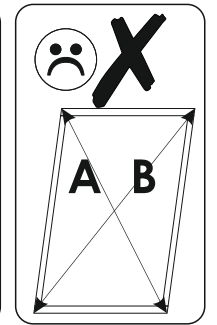
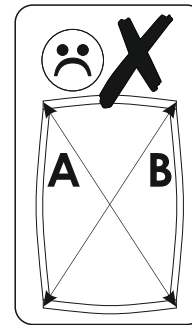
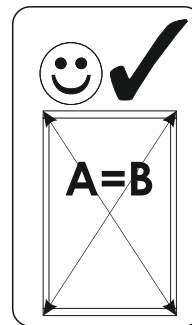
9 ▶



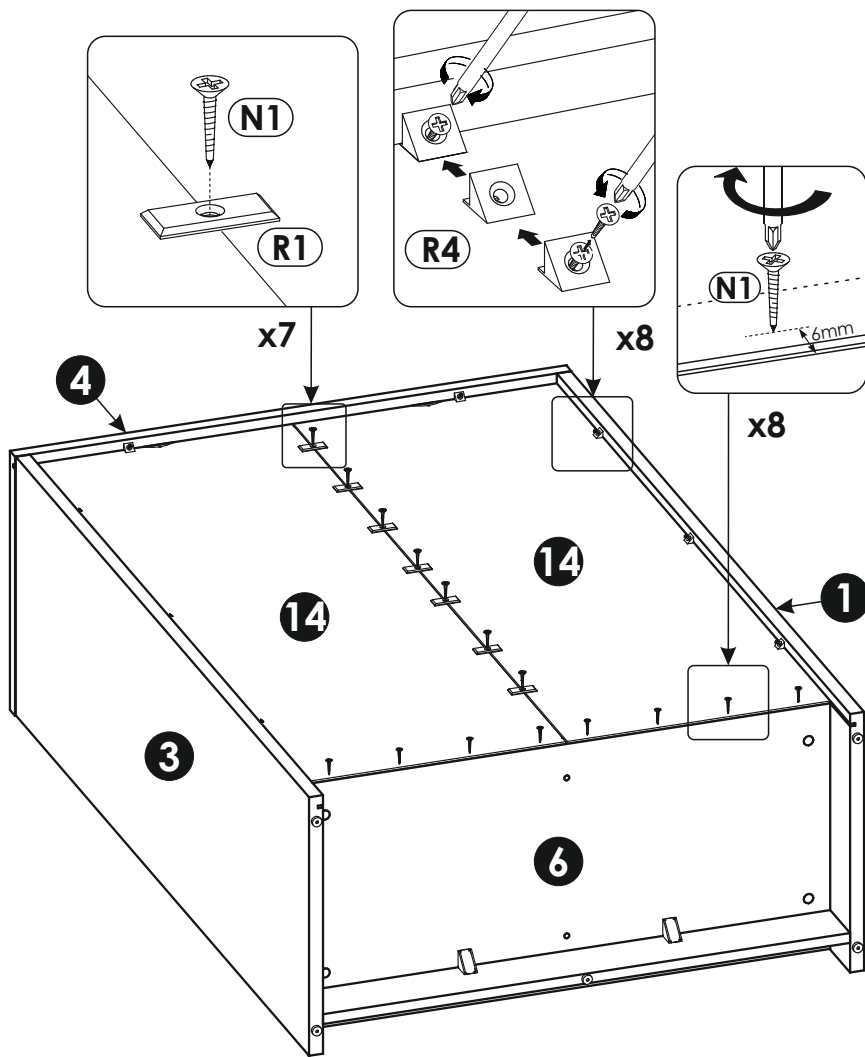
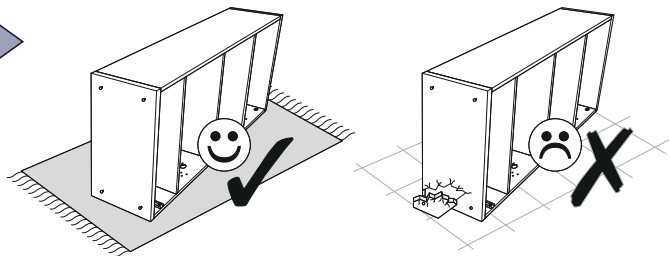
10 ▶



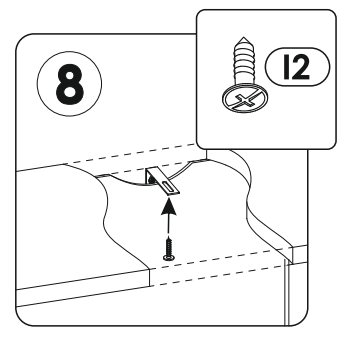
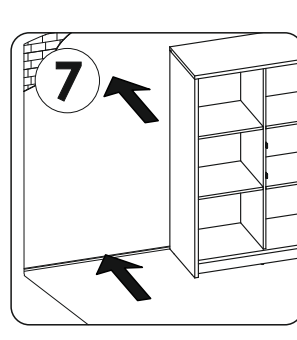
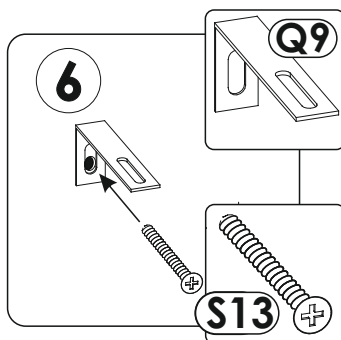
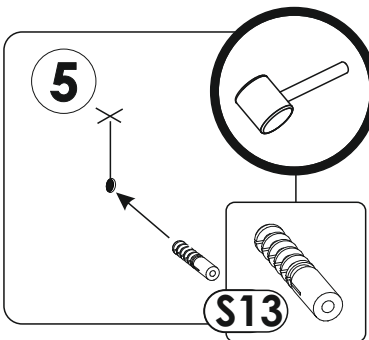
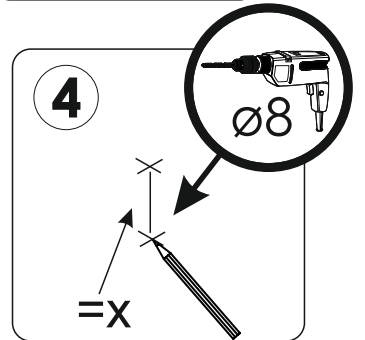
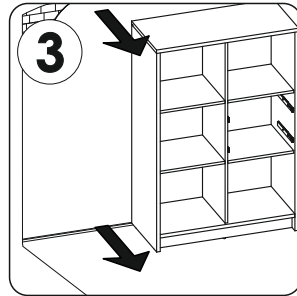
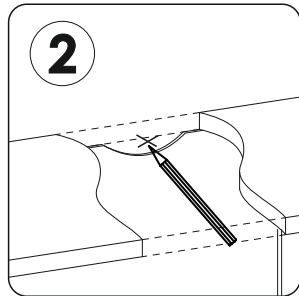
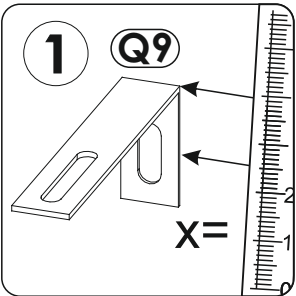
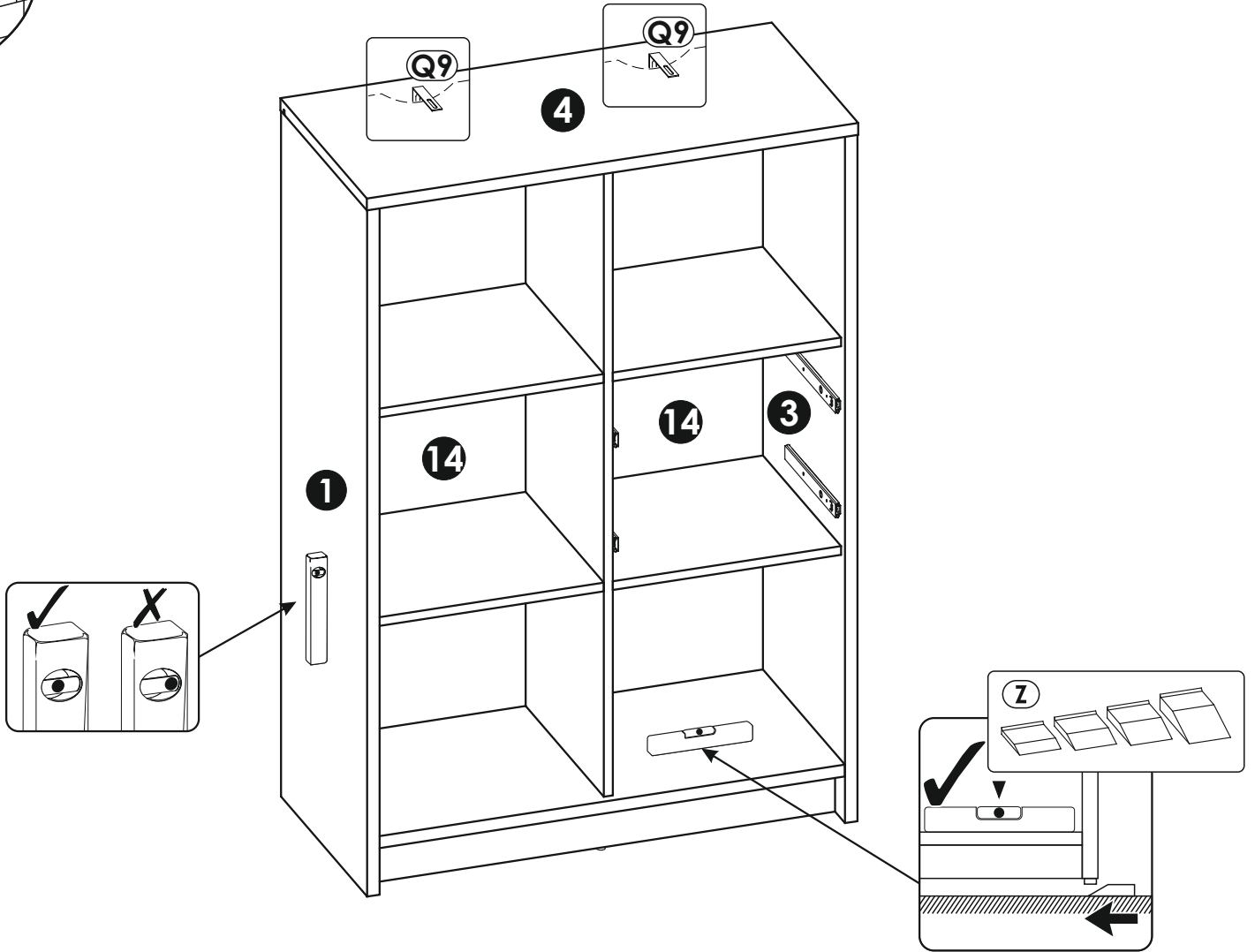
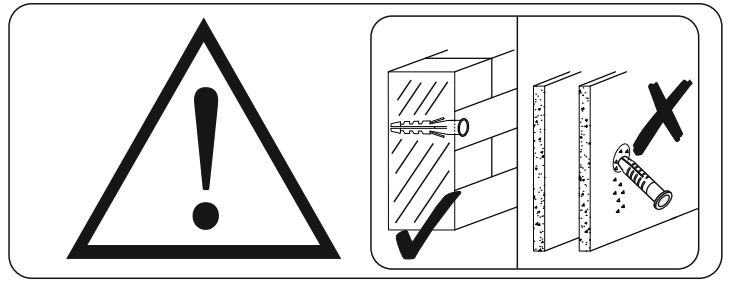
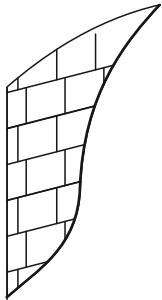
11 ▶



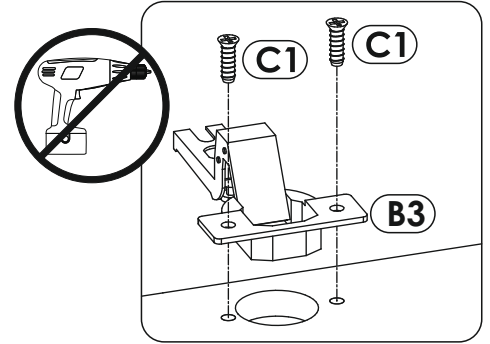
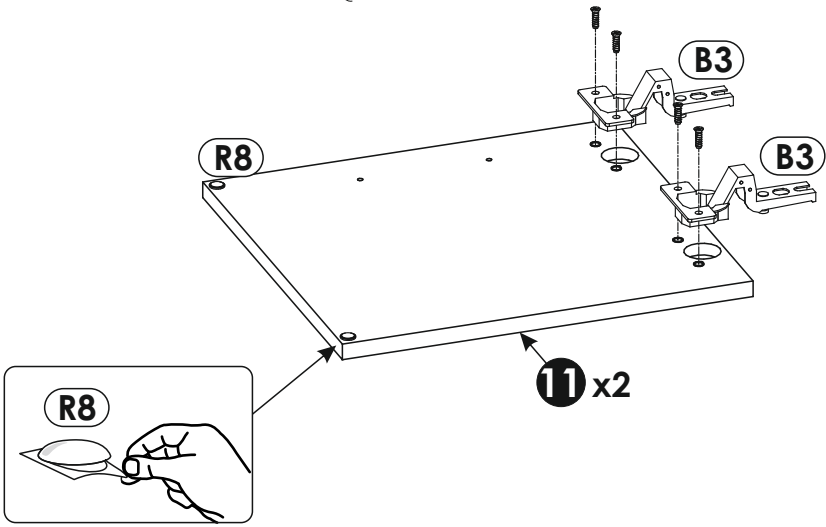
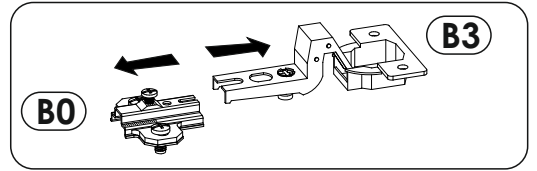
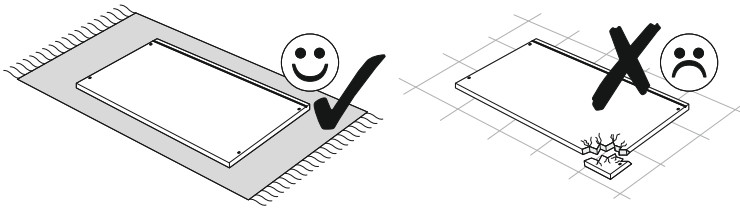
12▶



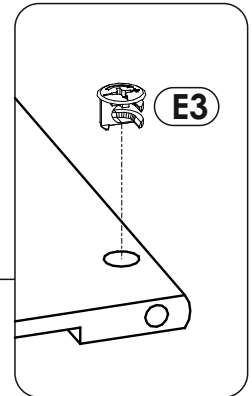
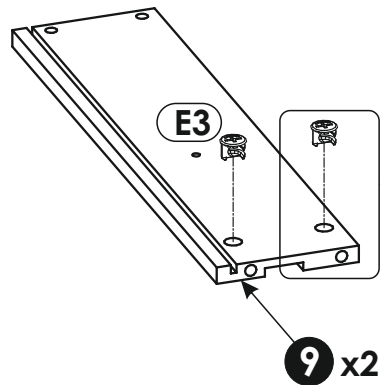
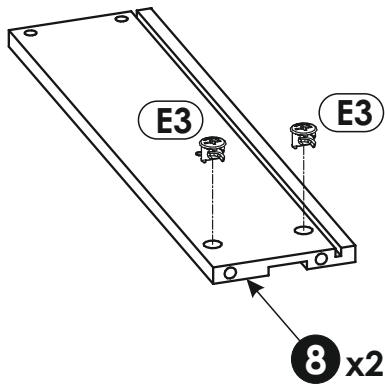
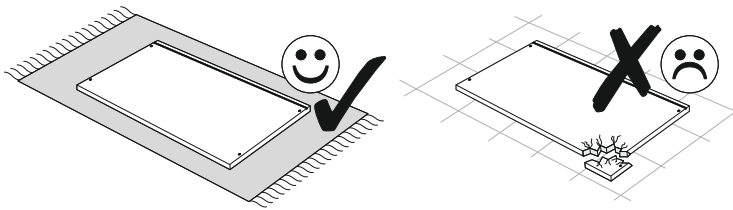
13 ▶



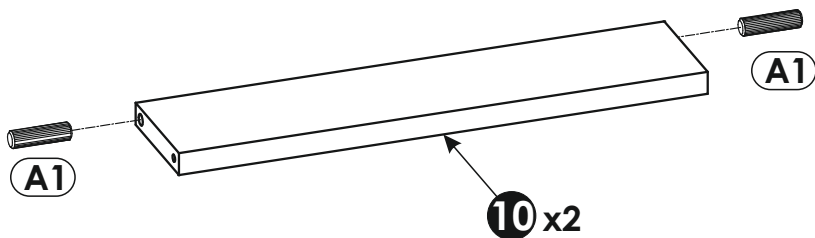
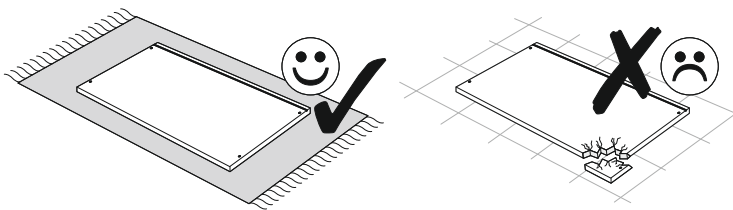
14▶



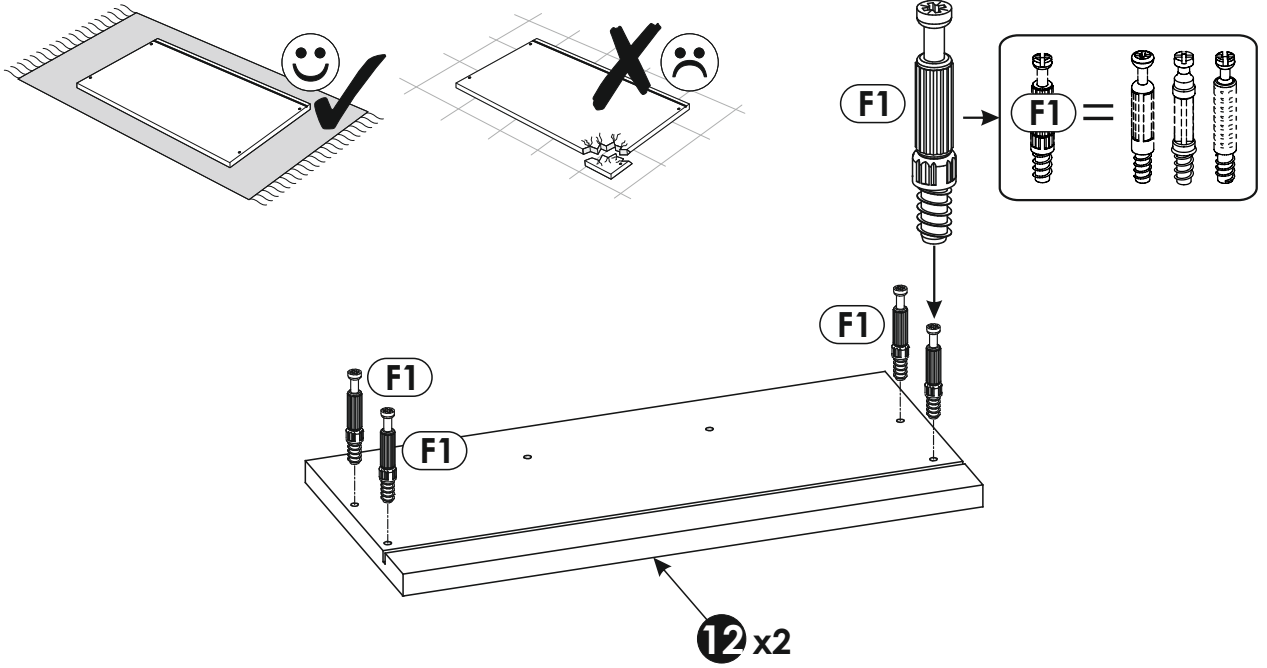
15▶



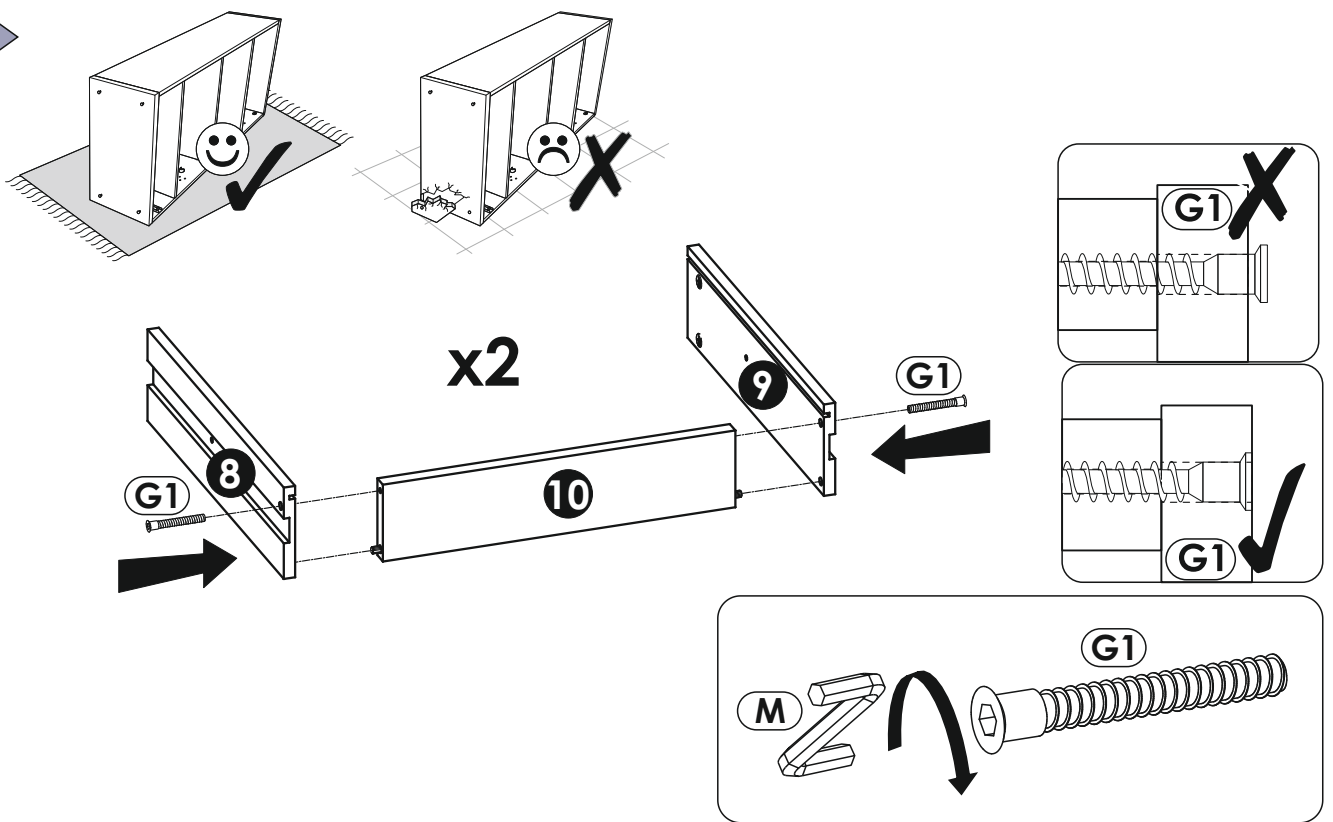
16▶



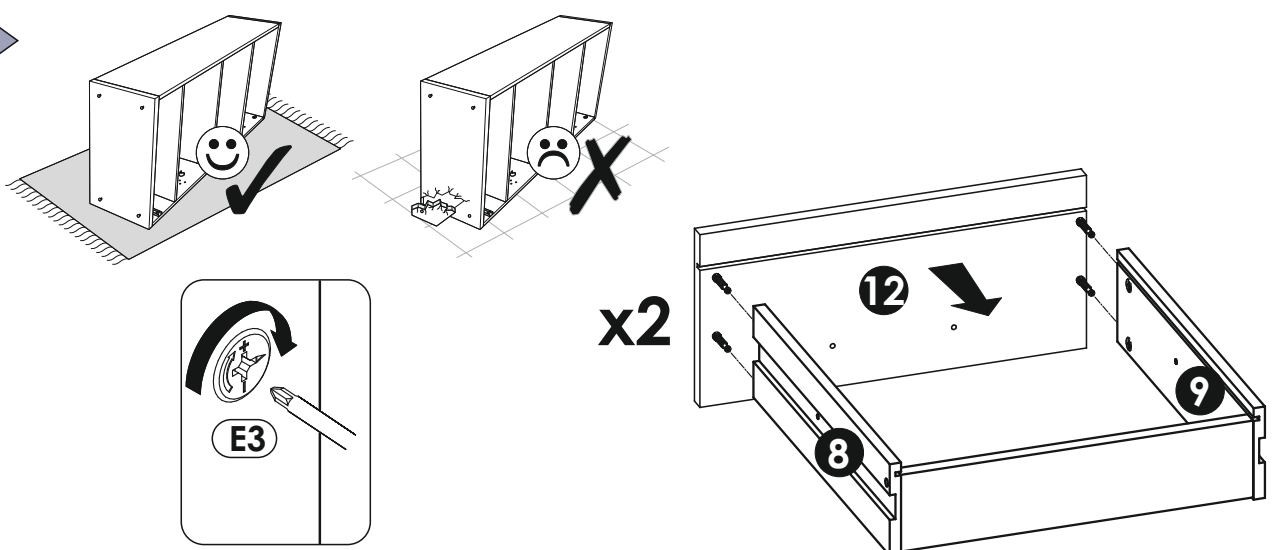
17▶



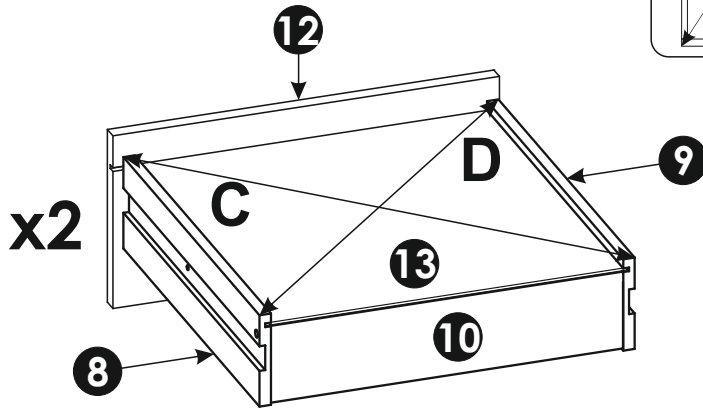
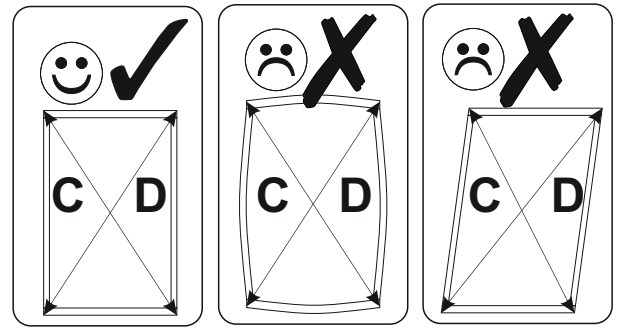
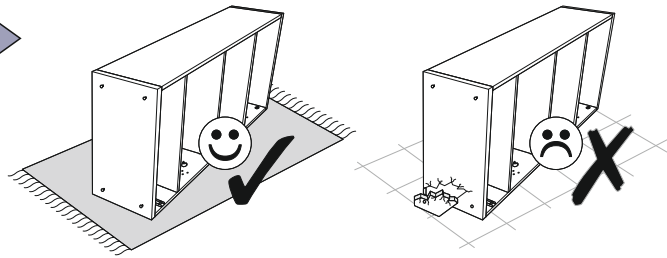
18▶



19▶

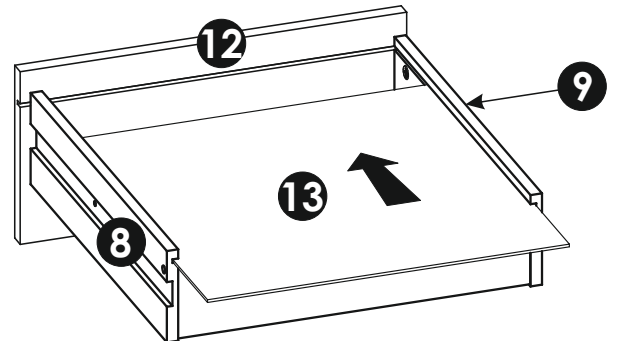
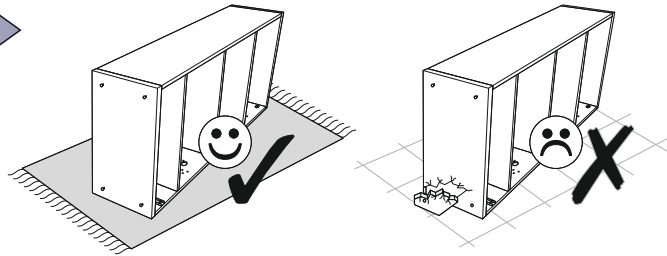


20 ▶

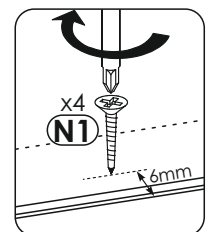
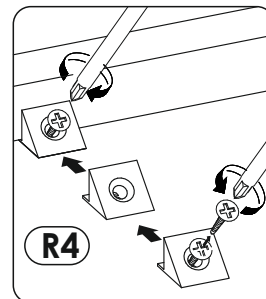
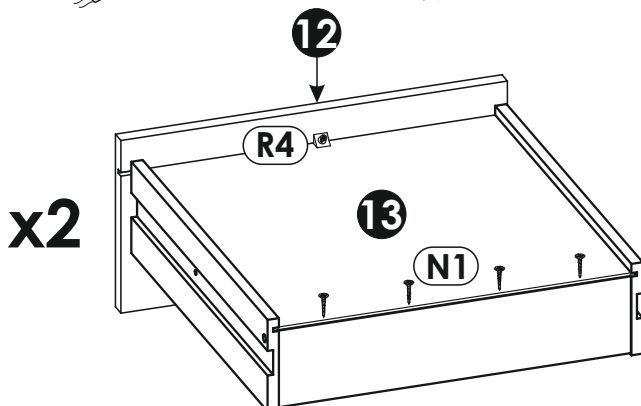
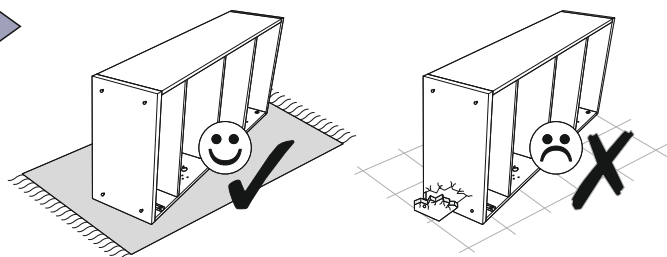


C=D

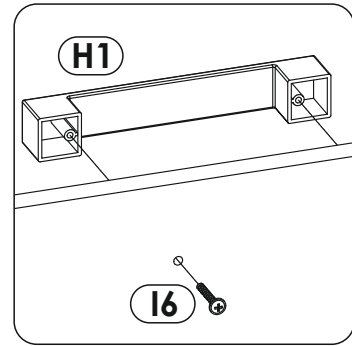
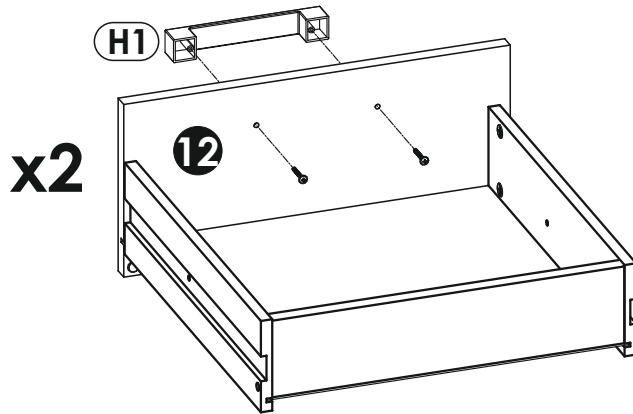
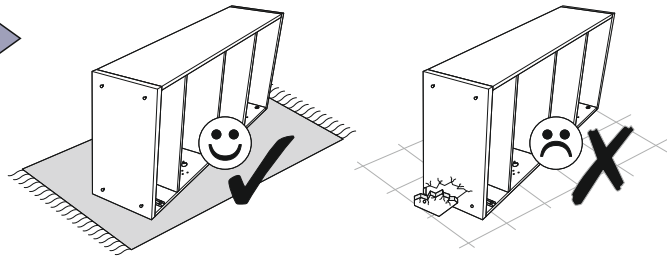
21 ▶



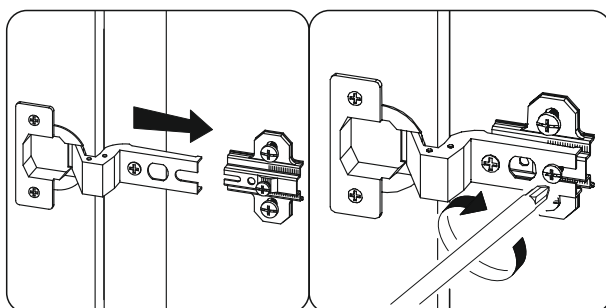
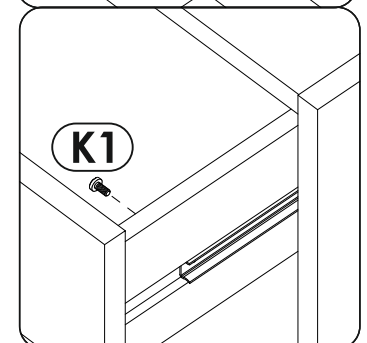
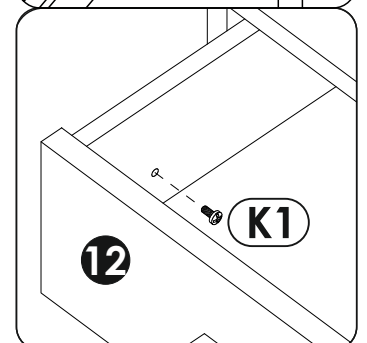
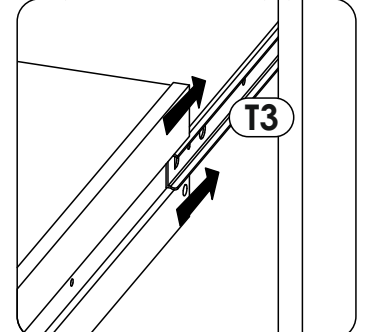
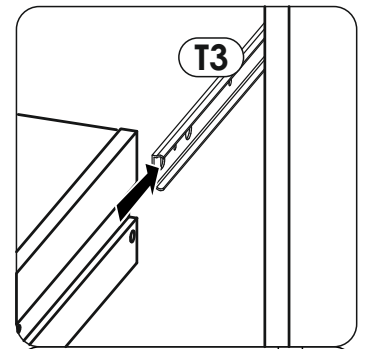
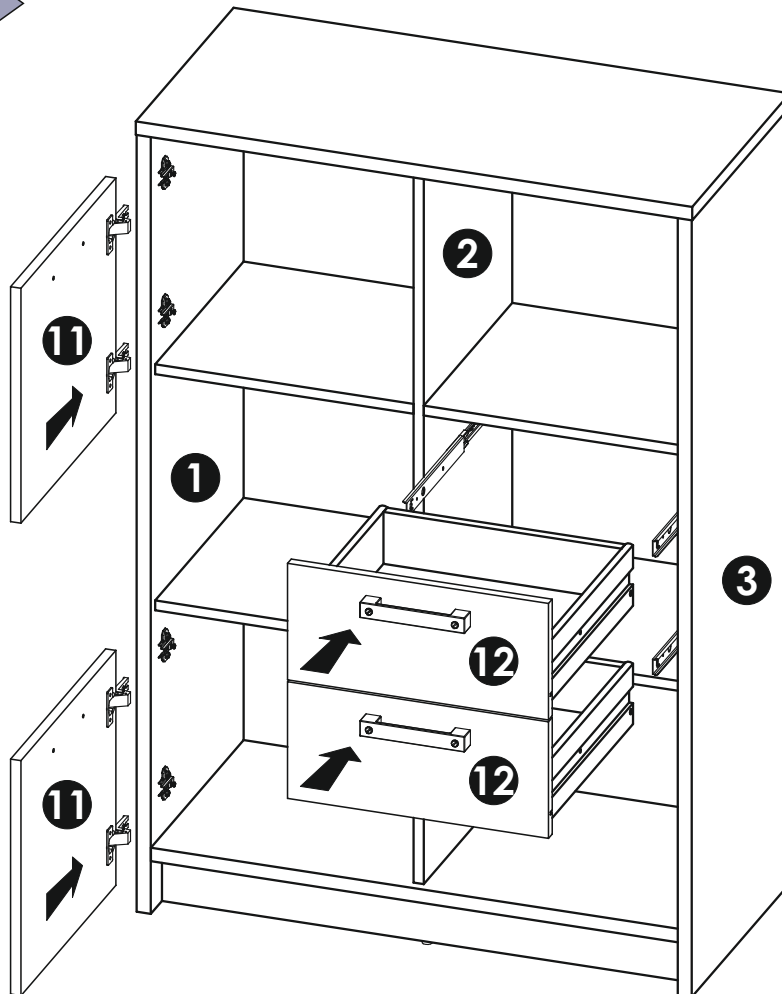
22 ▶



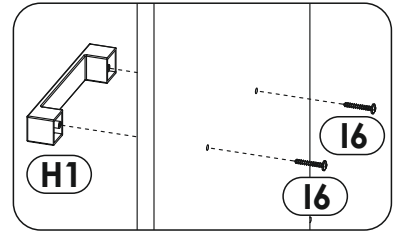
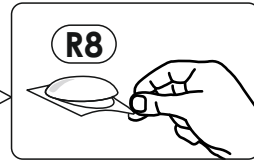
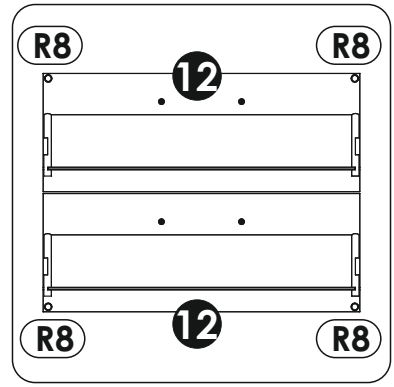
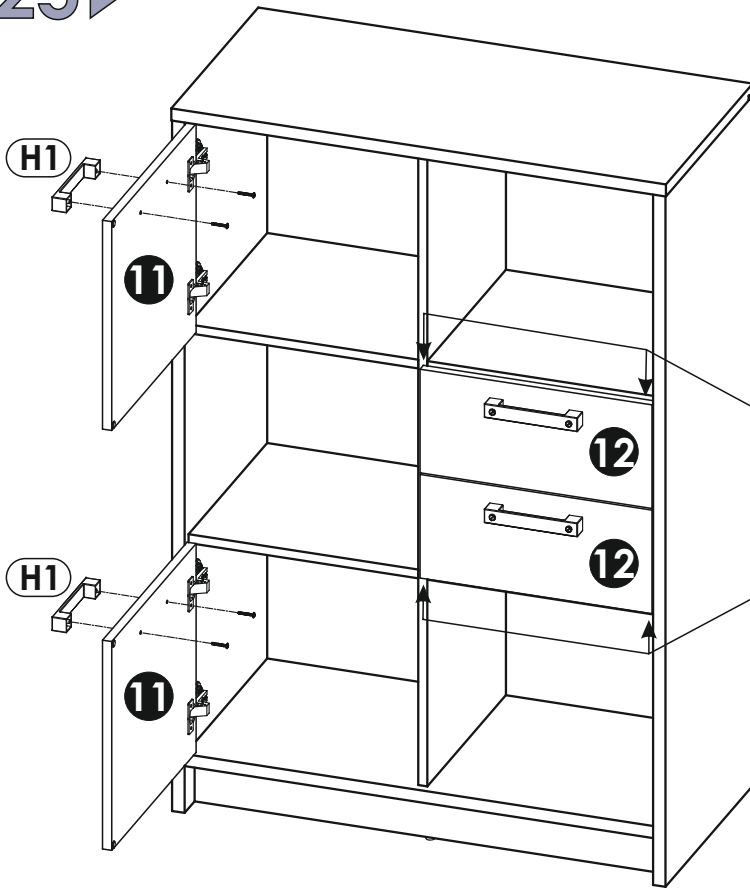
23 ▶



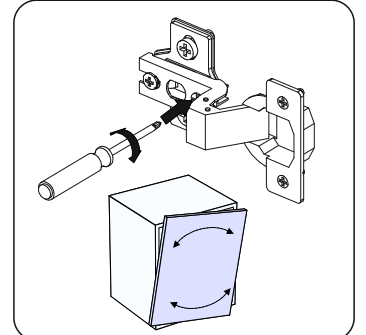
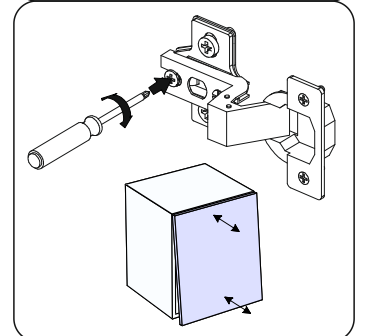
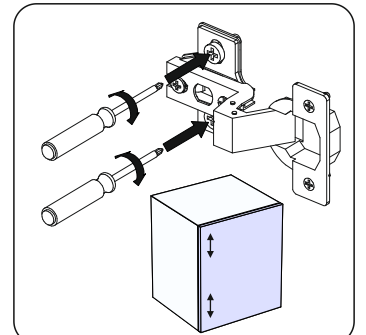
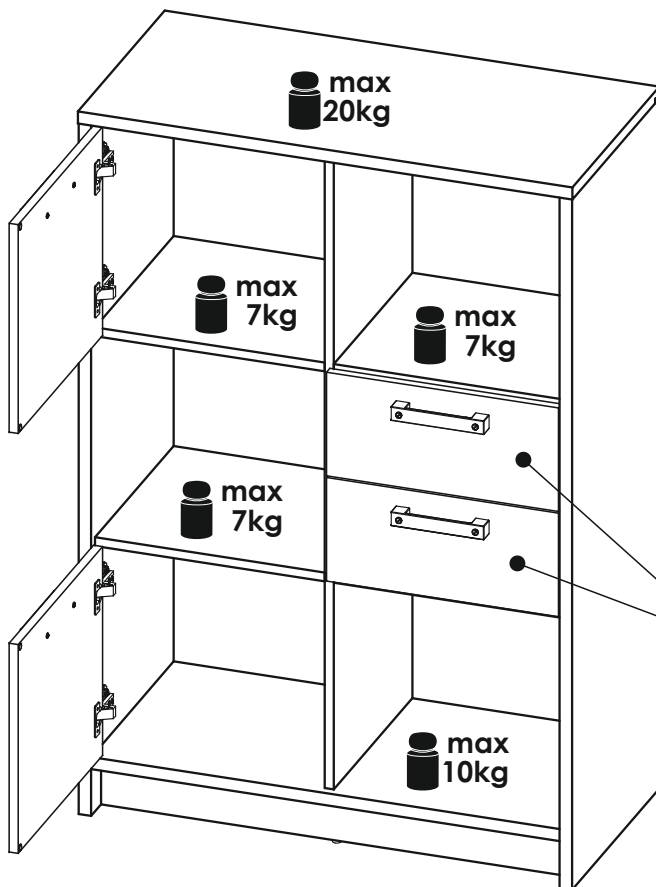
24 ▶

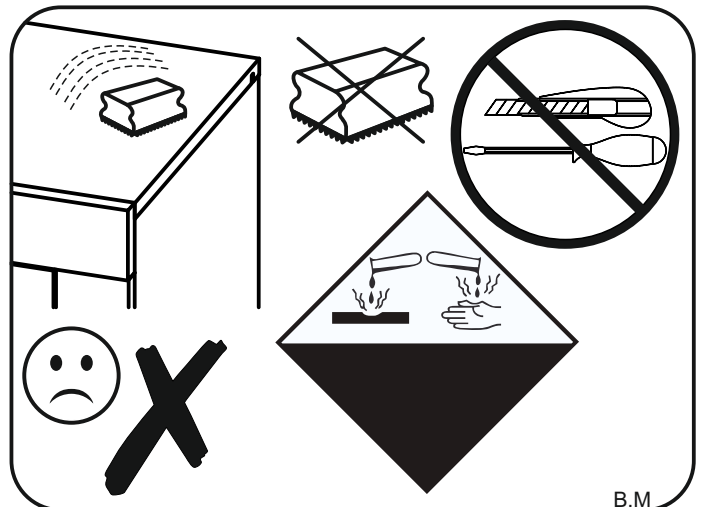
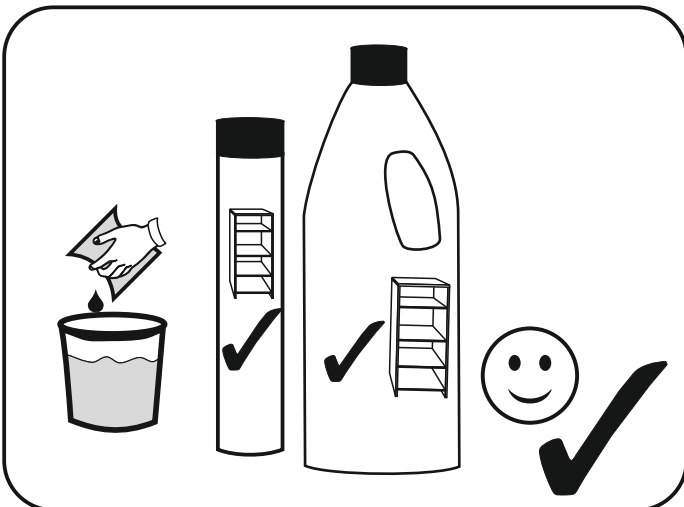
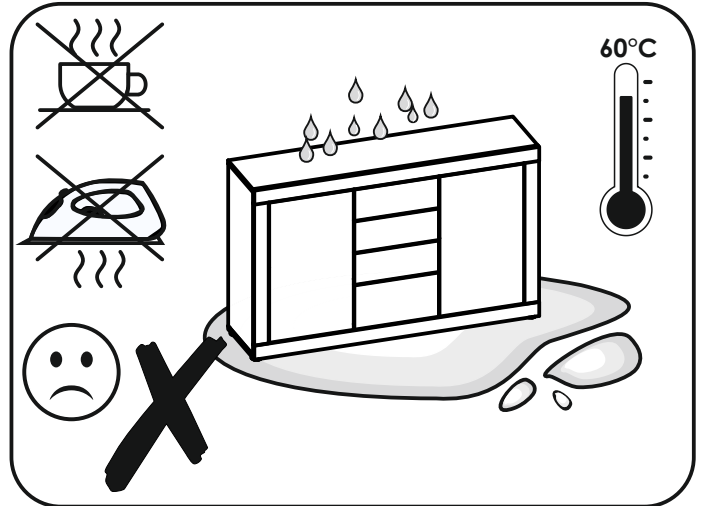
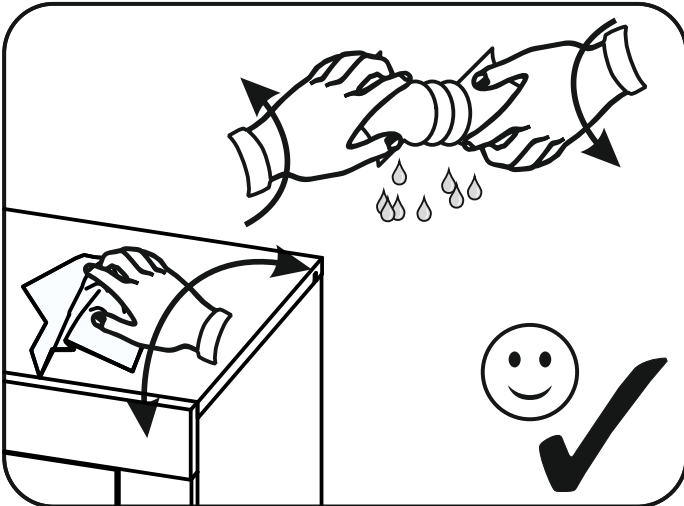
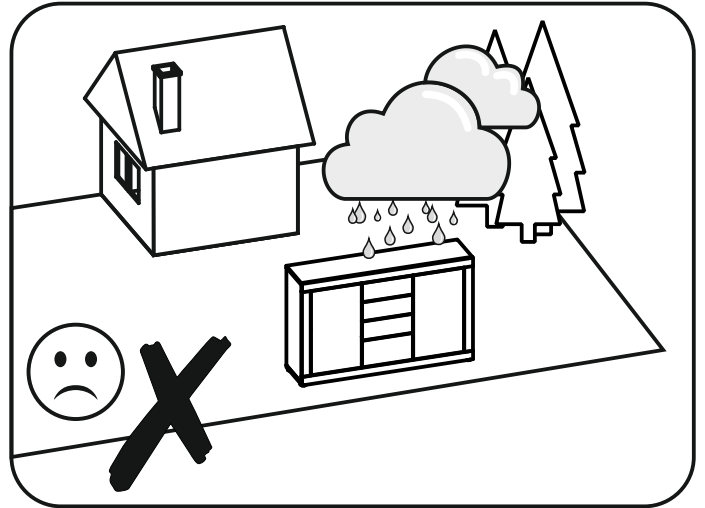
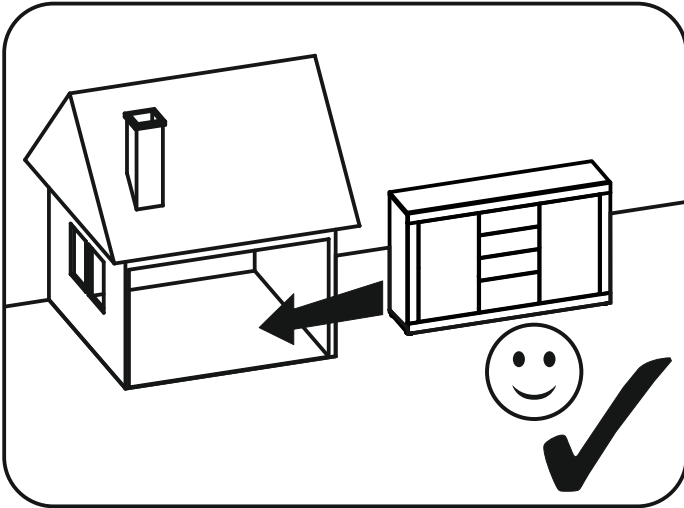
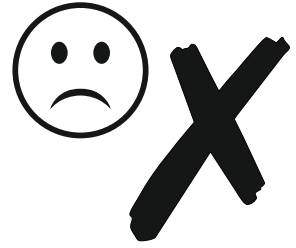


25 ▶



26 ▶





B.M