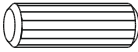




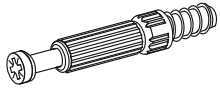


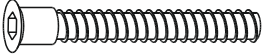
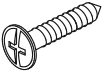


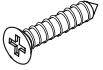
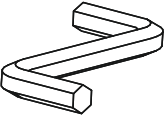
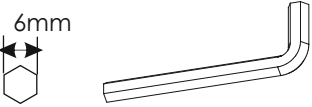
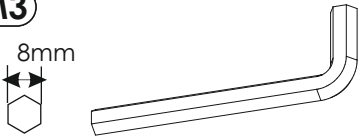

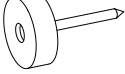

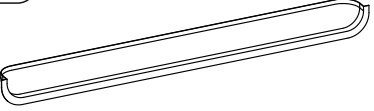
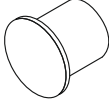
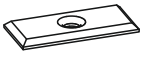
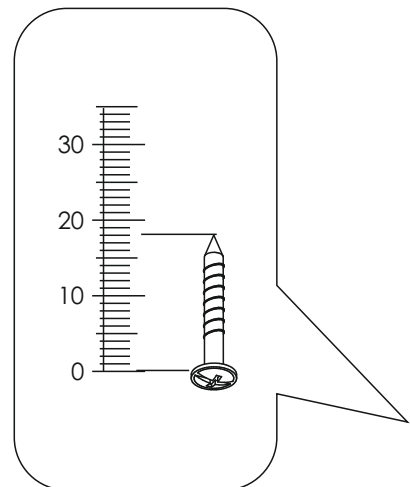
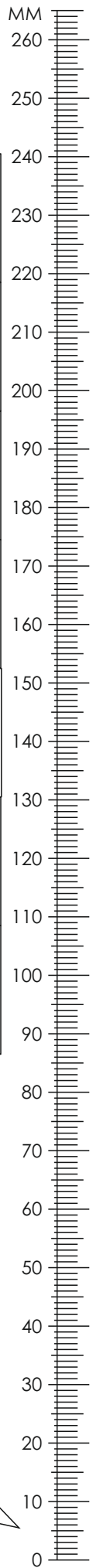
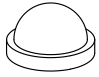


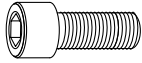

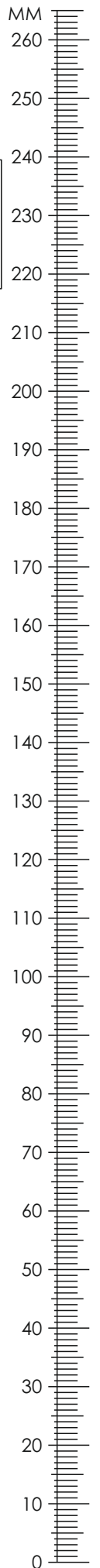
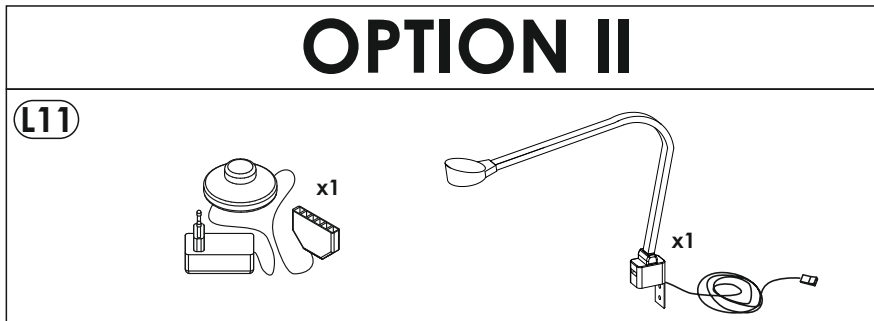
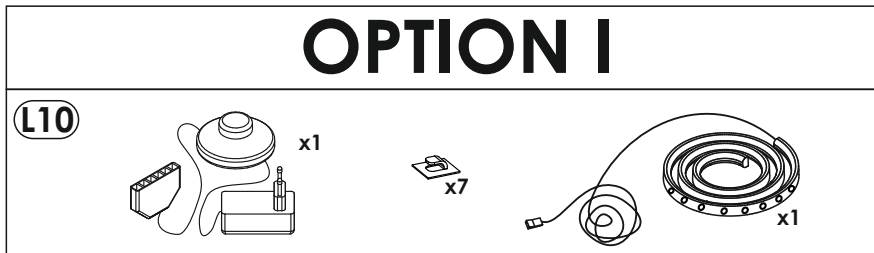
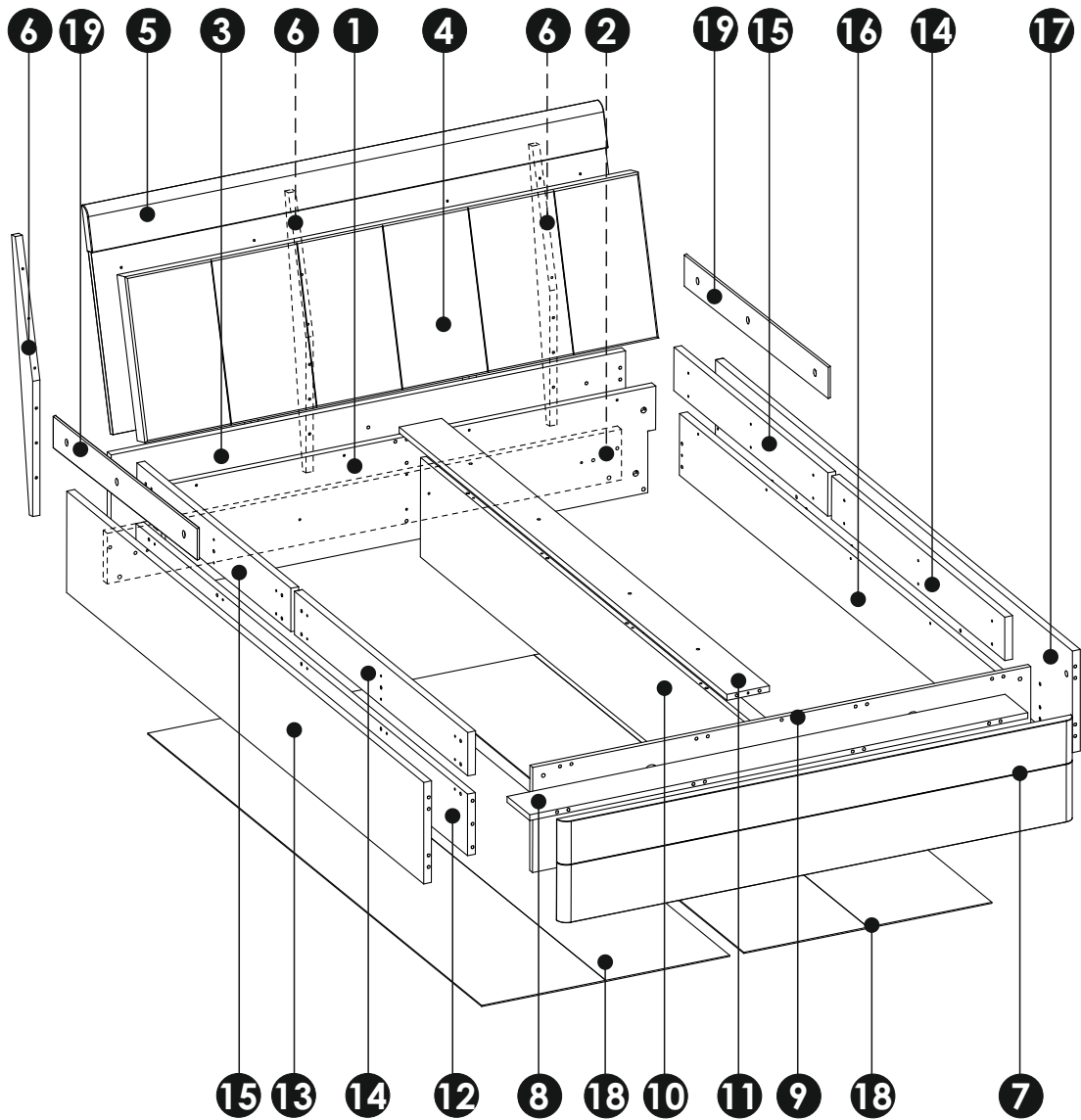
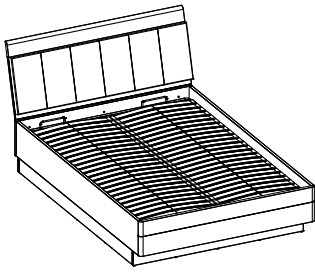


| | | |
|---|--|---|
| A0 ø8 x 24 mm x34  | A1 ø8 x 35 mm x40  | E0a  x4 |
| E0b  x14 | E1 15 x 12 mm x18  | F1 6 x 34 mm x18  |
| G0a  x7 | G0b  x10 | G1 φ7 x 50 mm x25  |
| I6 4 x 40 mm x42  | I11 4 x 27 mm x12  | I17 3 x 13 mm x10  |
| J6 4 x 25 mm x9  | M  x1 | M2 6mm  x1 |
| M3 8mm  x1 | N1 3 x 16 mm x65  | O2  x19 |
| O2A ø20 x12  | P40 x2  | P21 ø10 x6  |
| R1  x12 | | |



| | | |
|---|---|---|
| R5  x2 | R22  x6 | S18  x6 |
| S19 M8 x 25 mm  x6 | W16  x2 | |

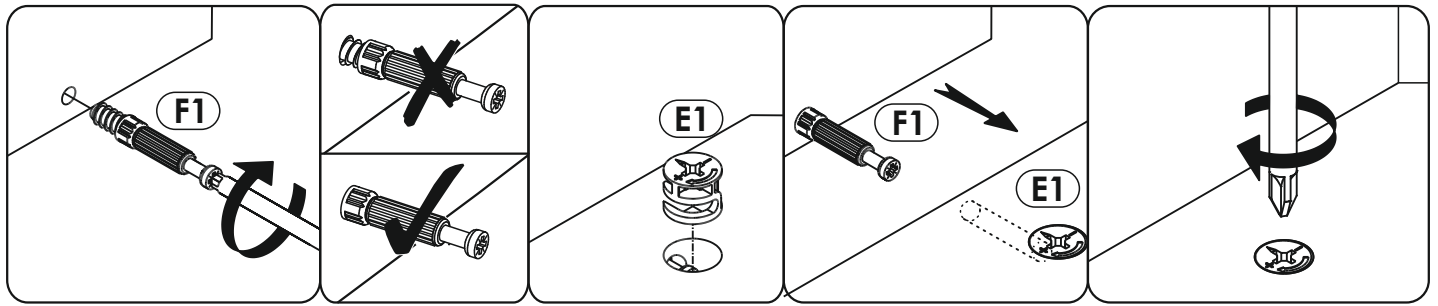




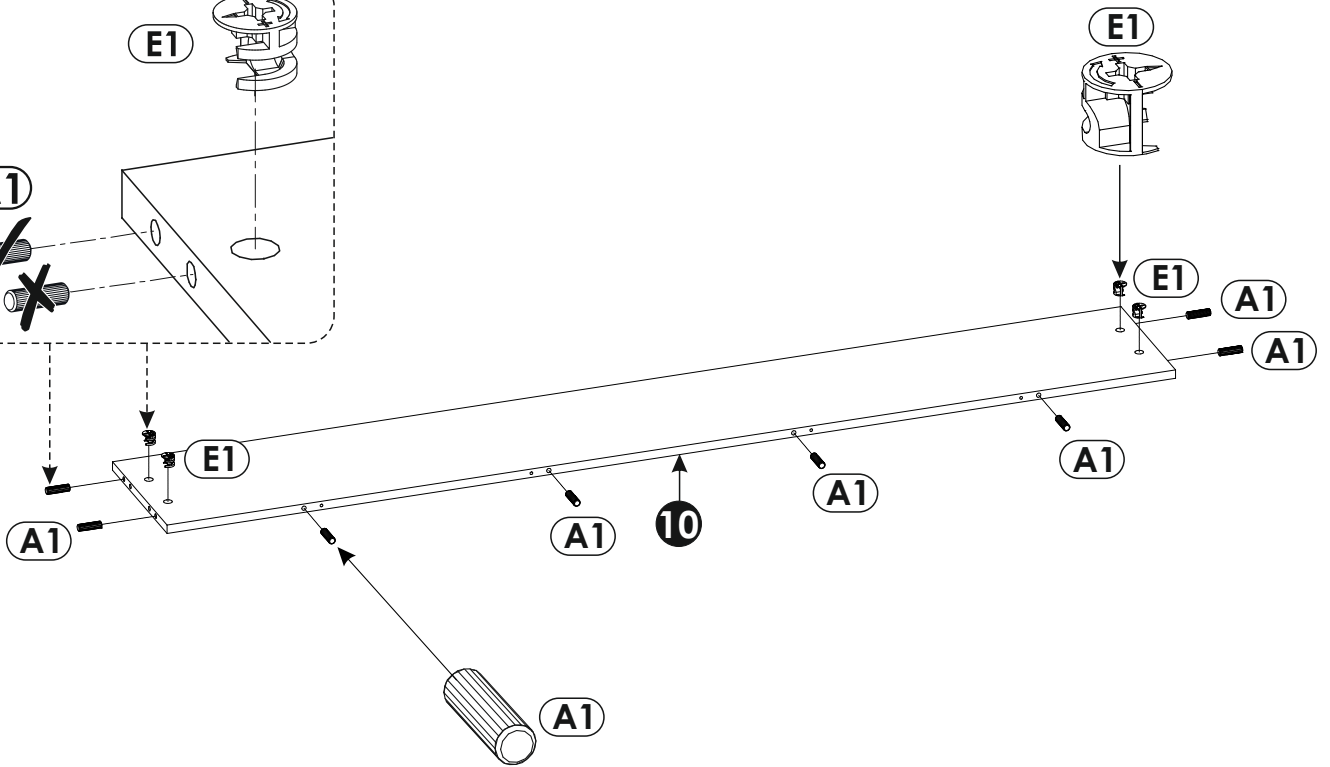
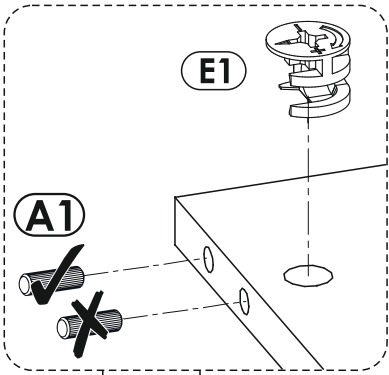
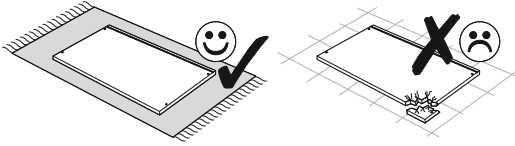
| | | | | | |
|----------|------|-----|----|----|-----|
| 1 | 1402 | 290 | 22 | x1 | 1/4 |
| 2 | 1402 | 135 | 22 | x1 | 3/4 |
| 3 | 1448 | 280 | 22 | x1 | 1/4 |
| 4 | 1445 | 428 | 50 | x1 | 4/4 |
| 5 | 1453 | 590 | 28 | x1 | 4/4 |
| 6 | 740 | 70 | 20 | x3 | 3/4 |

| | | | | | |
|-----------|------|-----|----|----|-----|
| 7 | 1448 | 280 | 28 | x1 | 1/4 |
| 8 | 1402 | 127 | 16 | x1 | 3/4 |
| 9 | 1402 | 290 | 16 | x1 | 1/4 |
| 10 | 1845 | 274 | 16 | x1 | 1/4 |
| 11 | 1845 | 120 | 16 | x1 | 3/4 |
| 12 | 1867 | 170 | 22 | x1 | 3/4 |

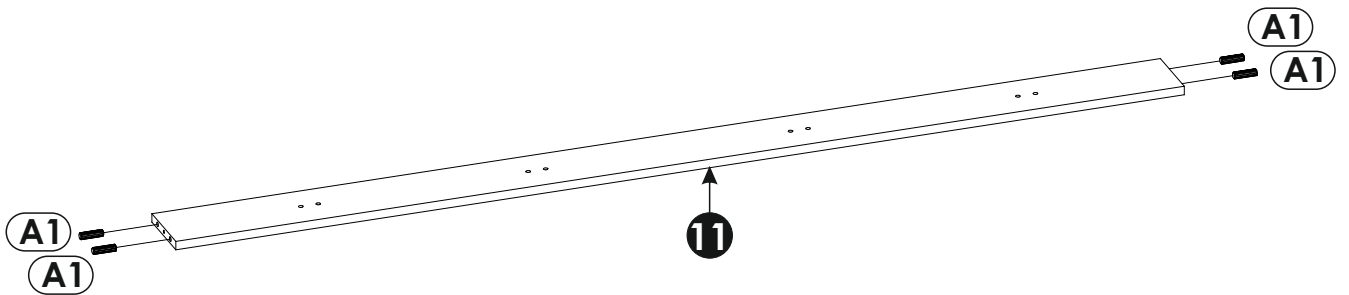
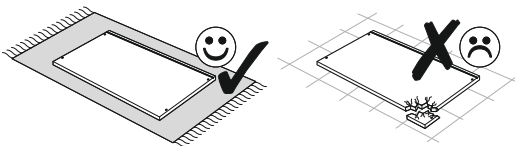
| | | | | | |
|-----------|------|-----|----|----|-----|
| 13 | 2010 | 280 | 22 | x1 | 2/4 |
| 14 | 975 | 120 | 22 | x2 | 2/4 |
| 15 | 868 | 120 | 22 | x2 | 2/4 |
| 16 | 1867 | 170 | 22 | x1 | 3/4 |
| 17 | 2010 | 280 | 22 | x1 | 2/4 |
| 18 | 1879 | 698 | 3 | x2 | 2/4 |
| 19 | 550 | 45 | 3 | x2 | 3/4 |



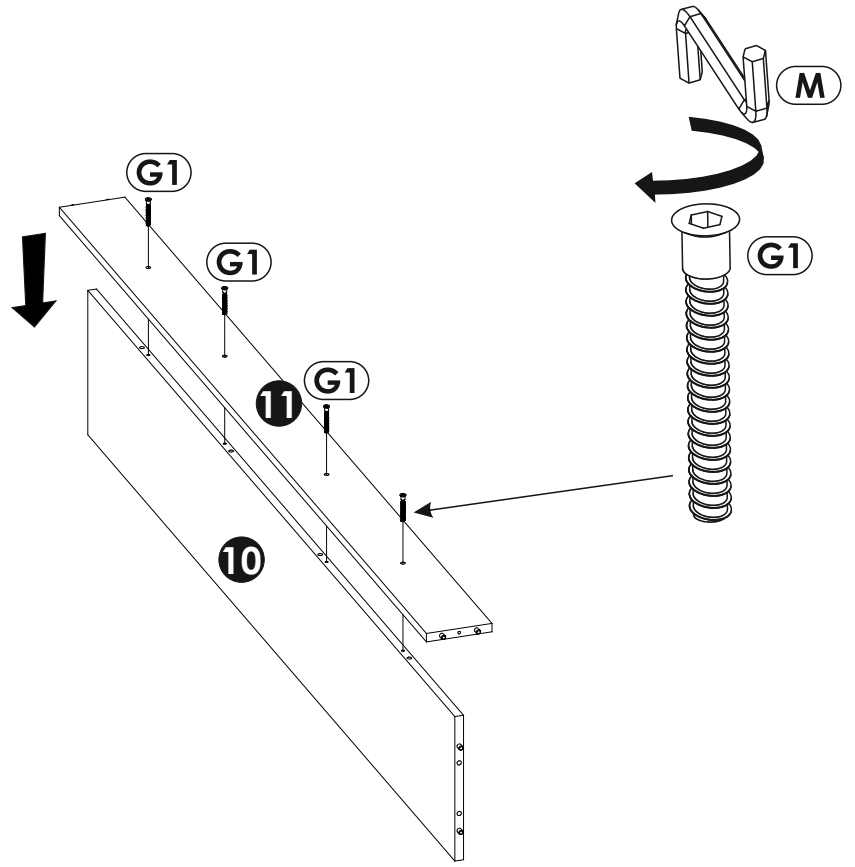
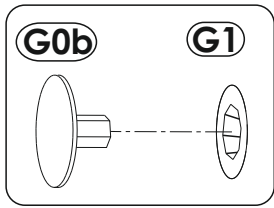
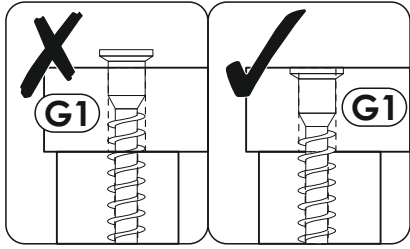
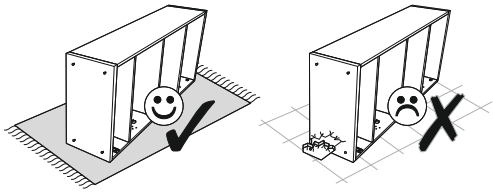
1 ▶



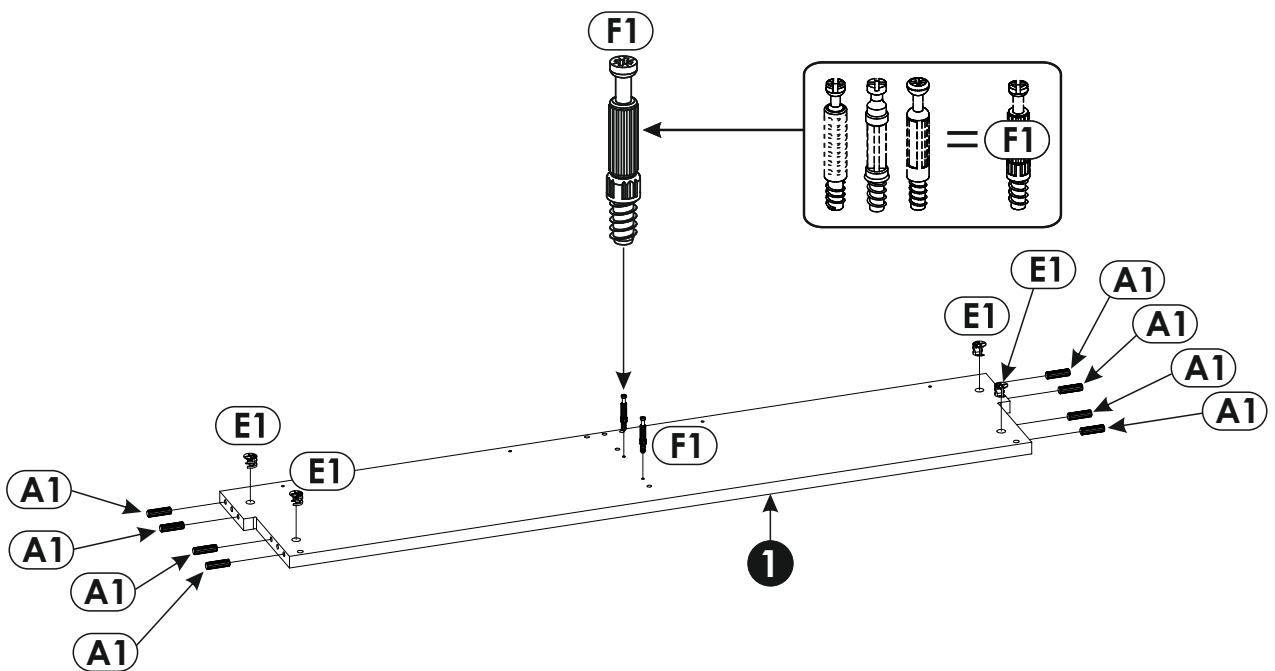
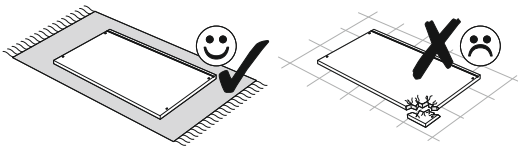
2 ▶



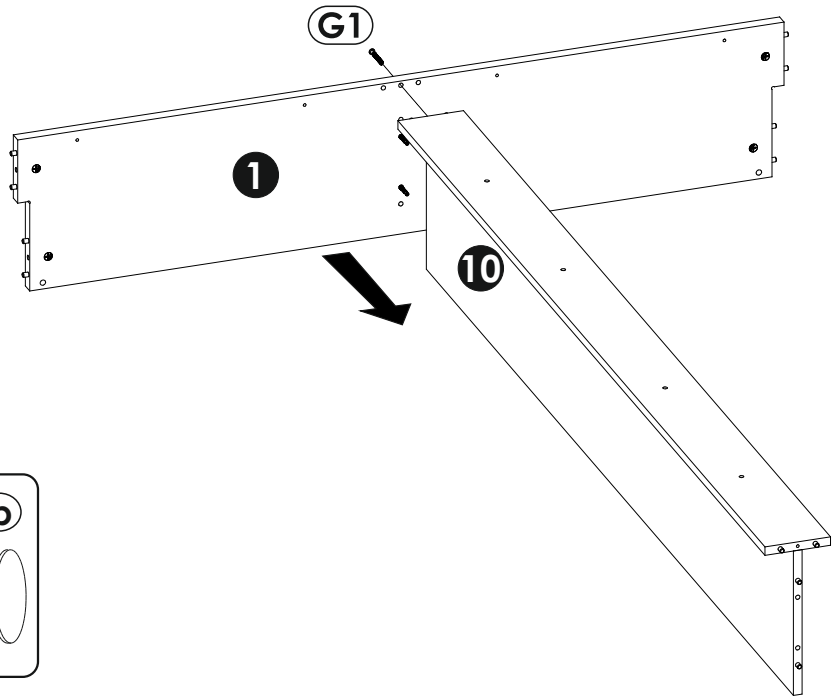
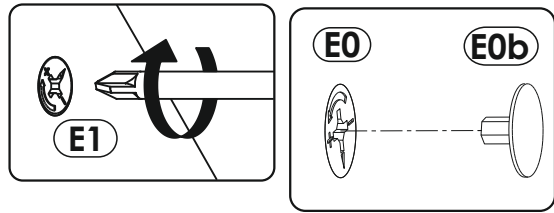
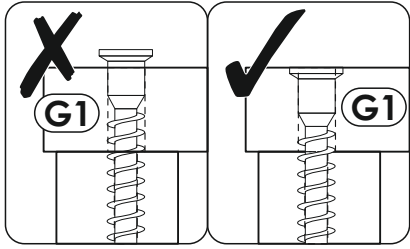
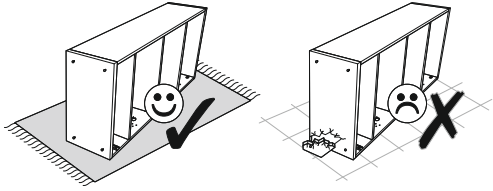
3 ▶



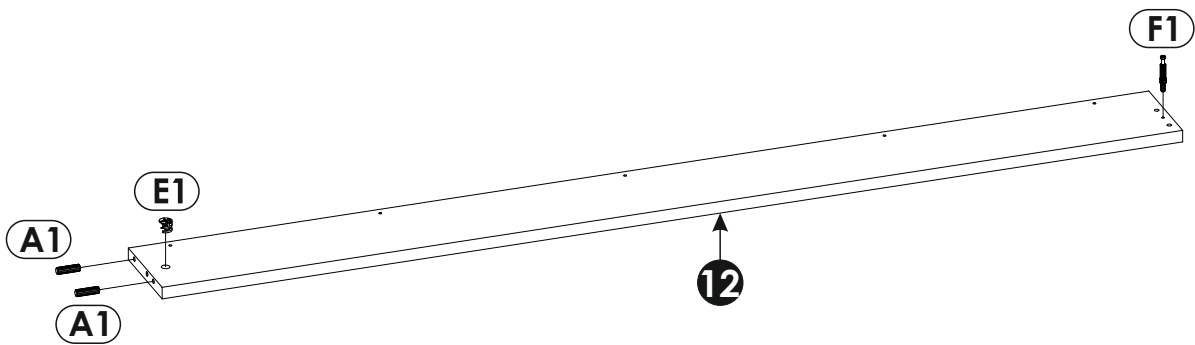
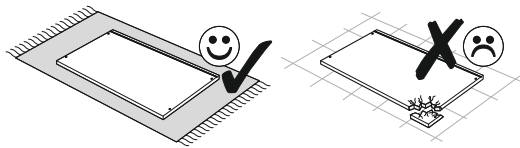
4 ▶



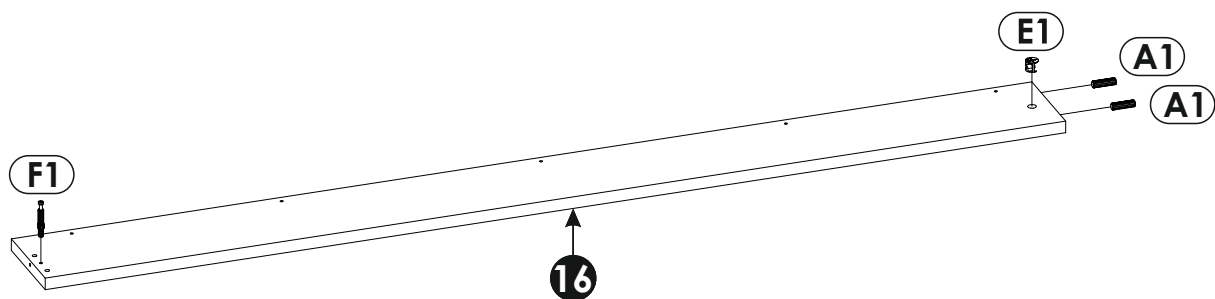
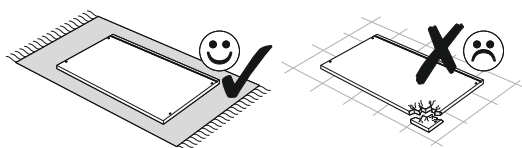
5 ▶



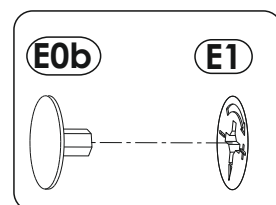
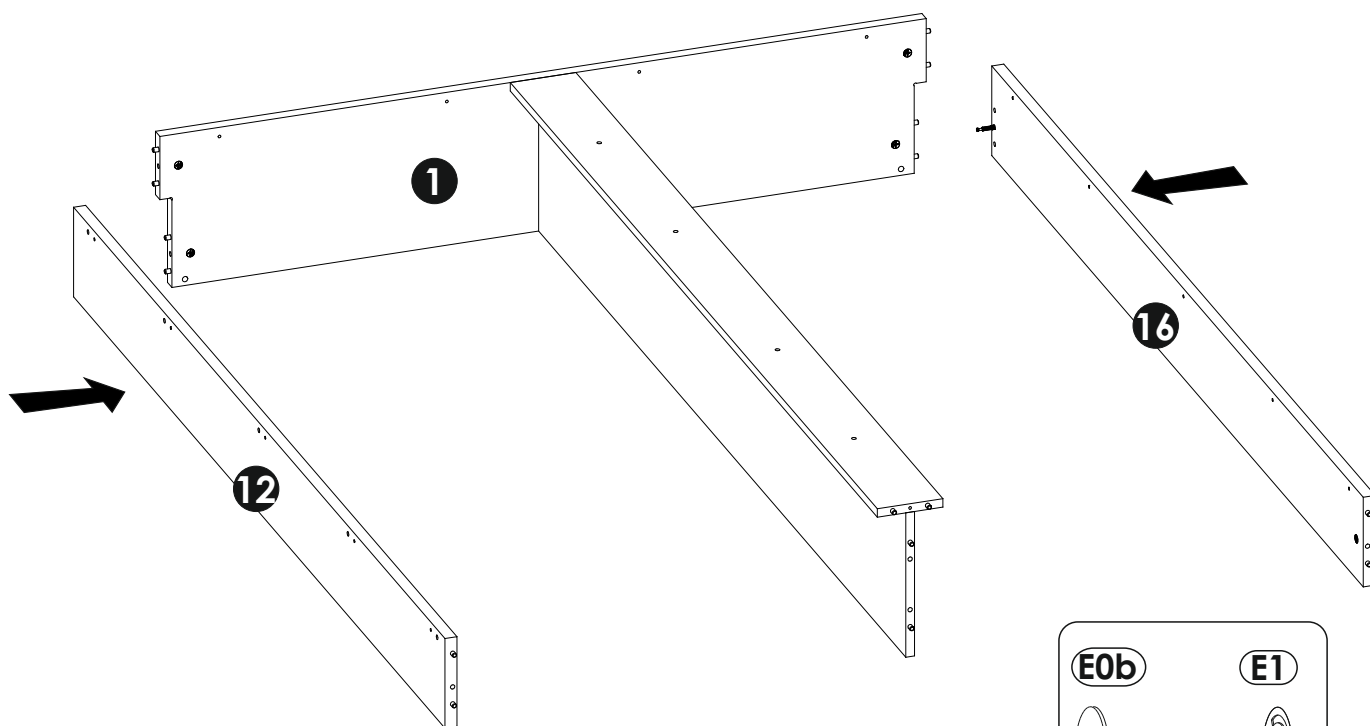
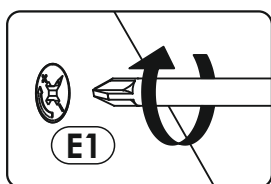
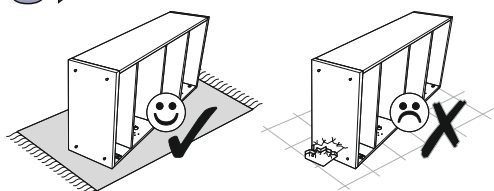
6 ▶



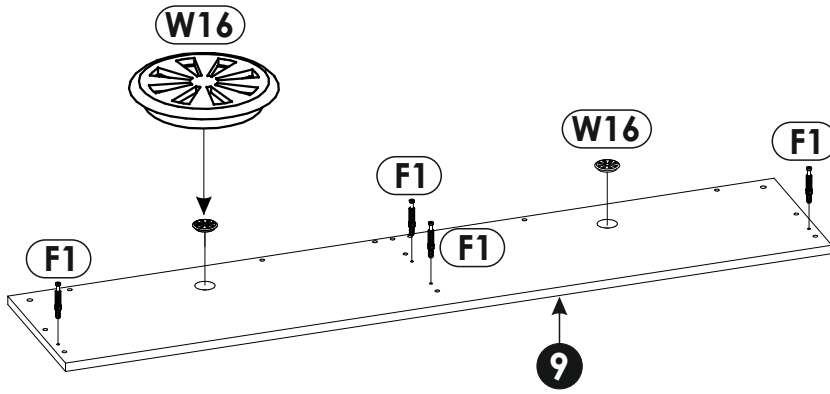
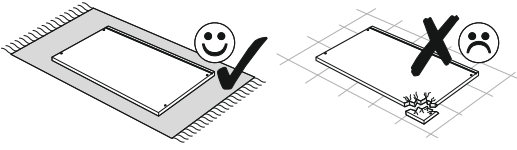
7 ▶



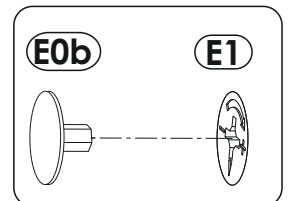
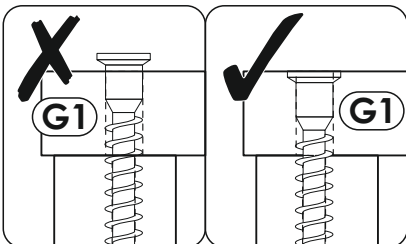
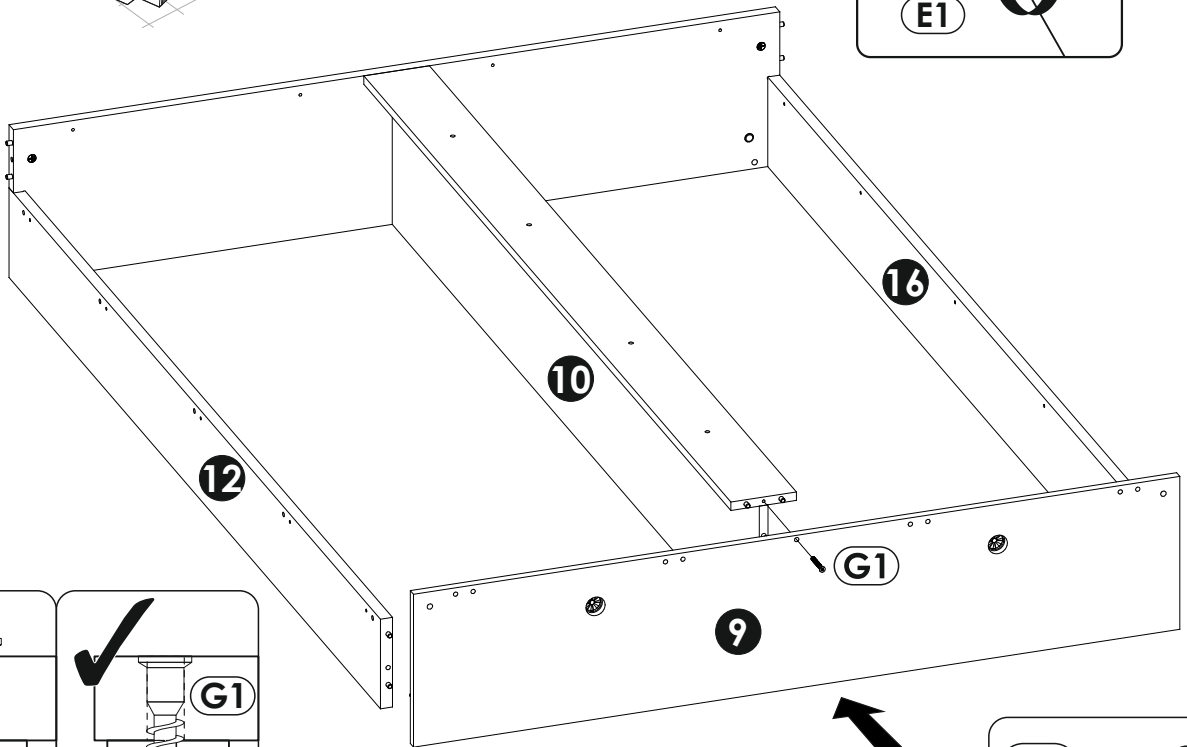
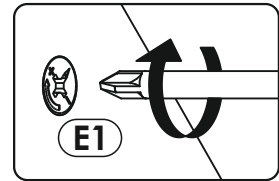
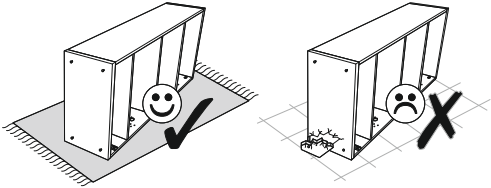
8 ▶



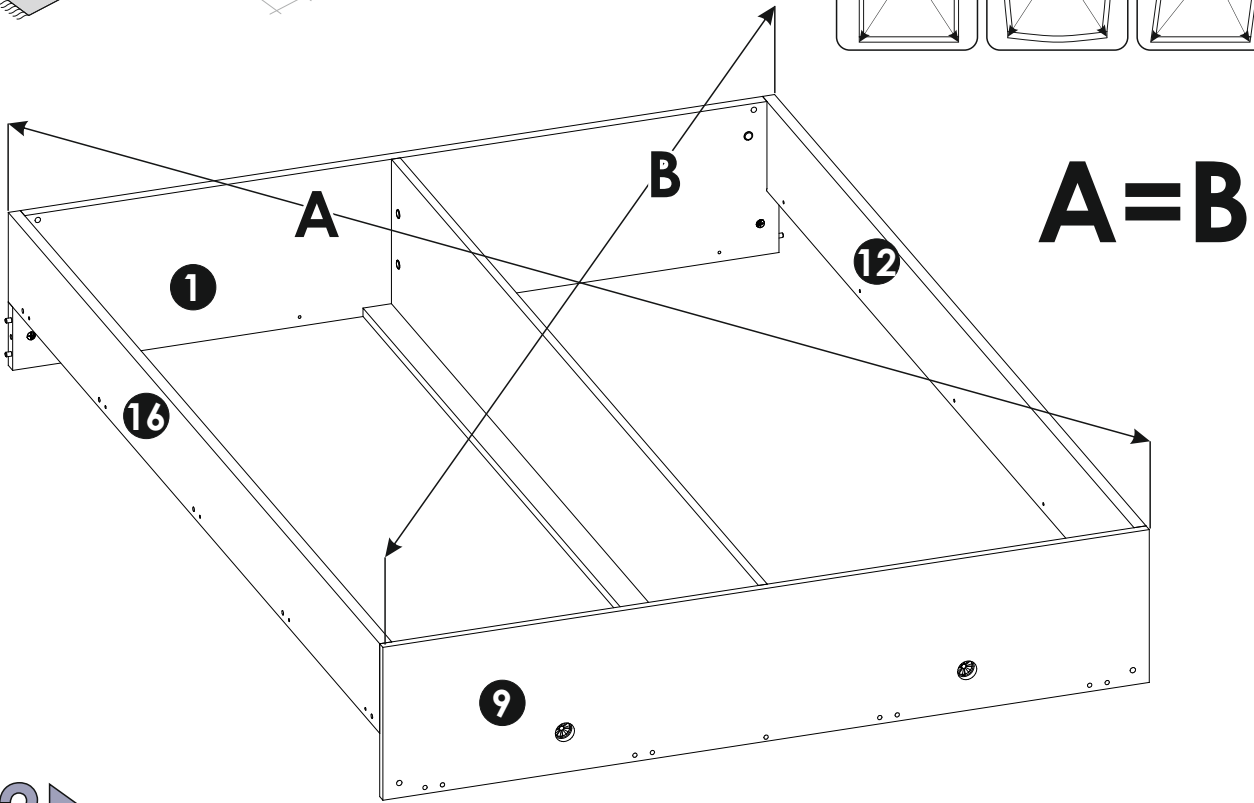
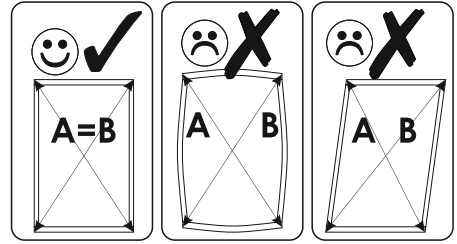
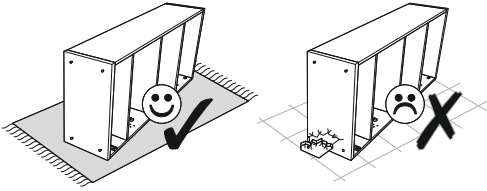
9 ▶



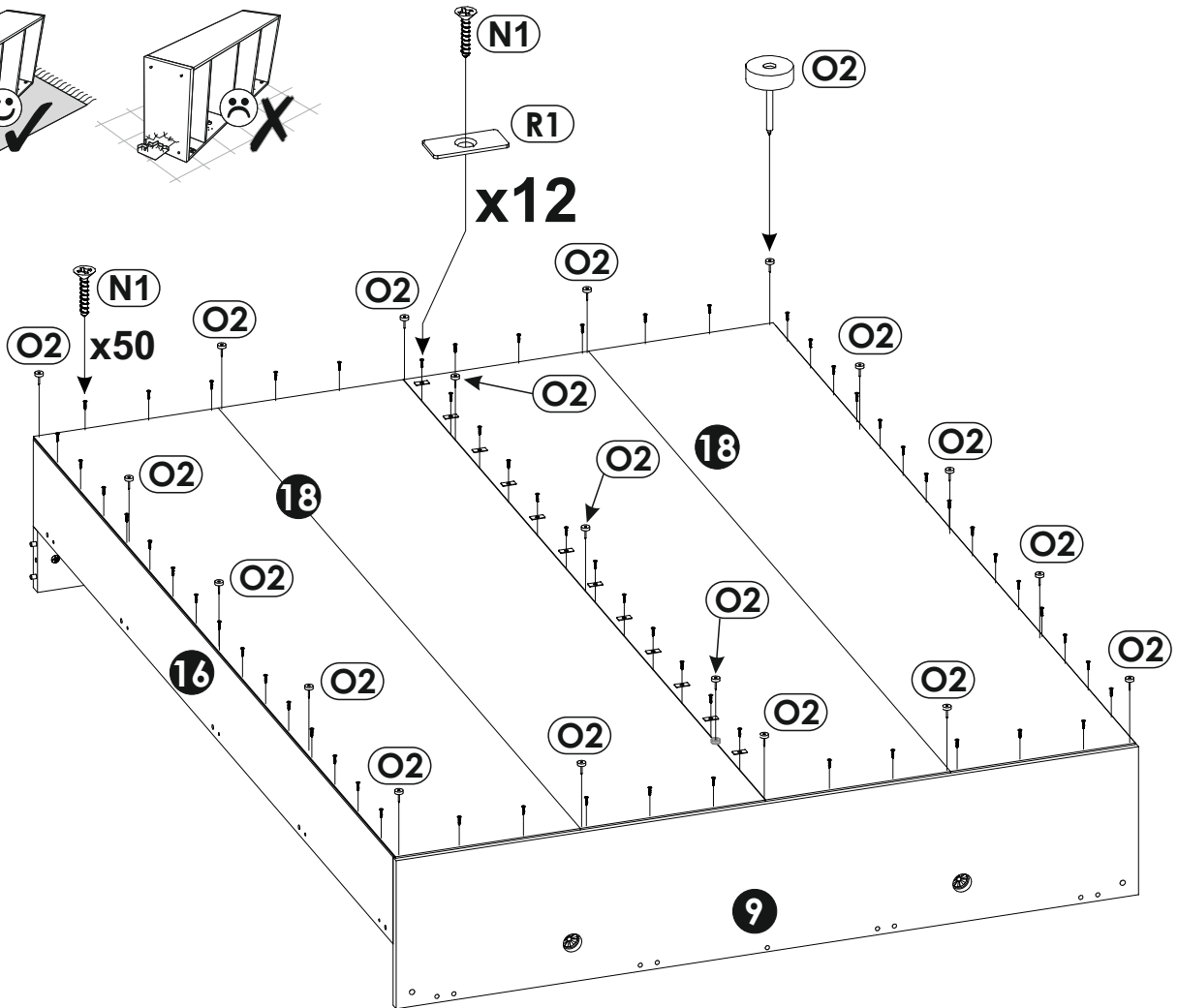
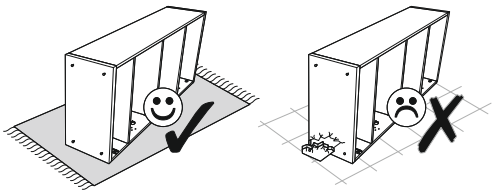
10 ▶



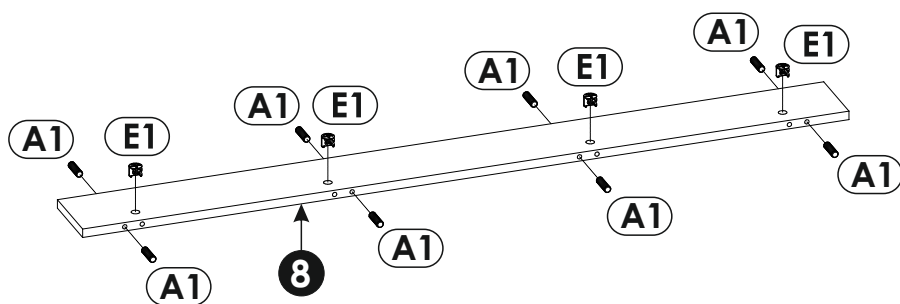
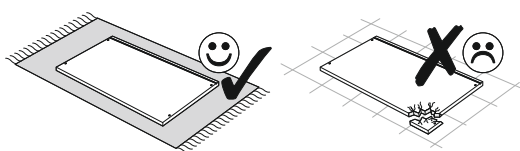
11 ▶



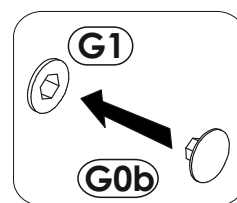
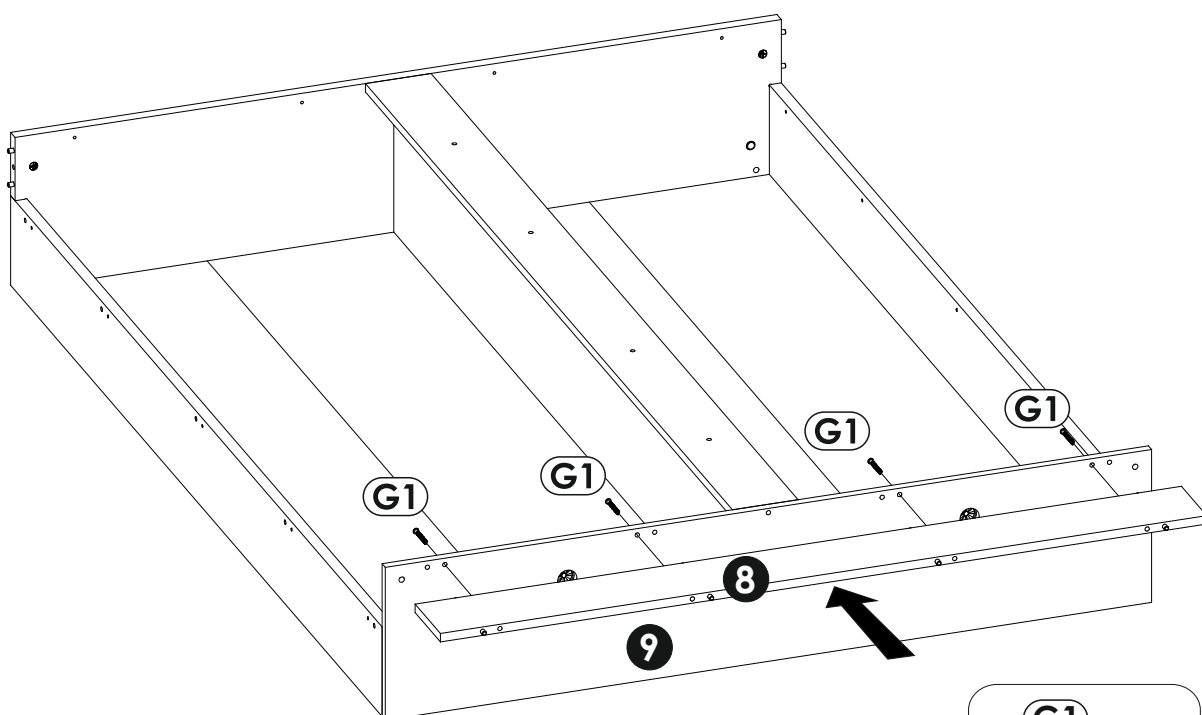
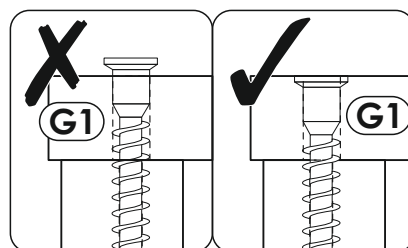
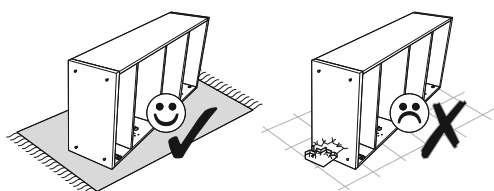
12 ▶



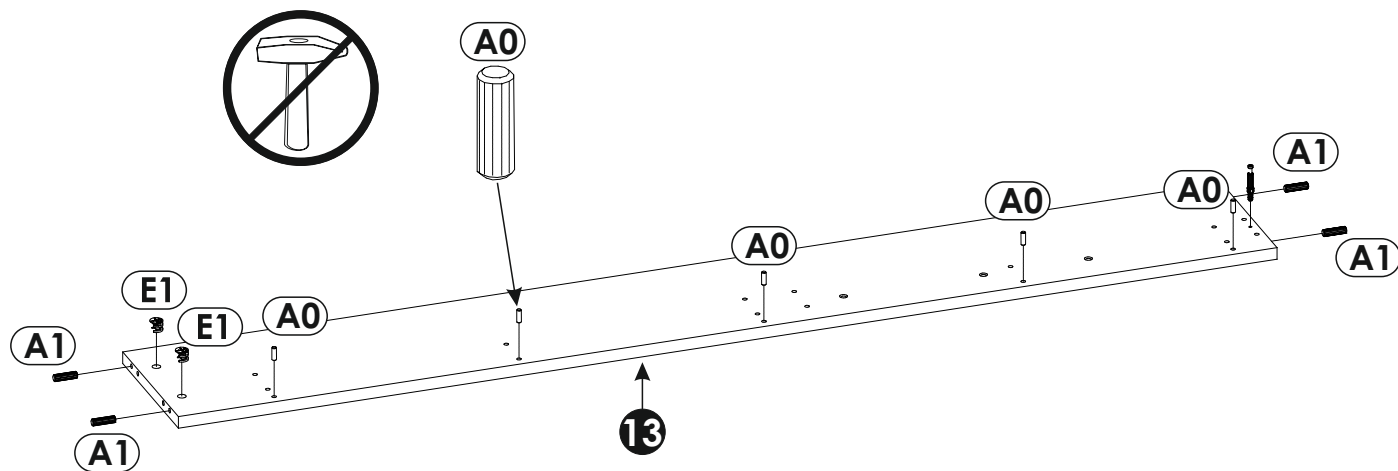
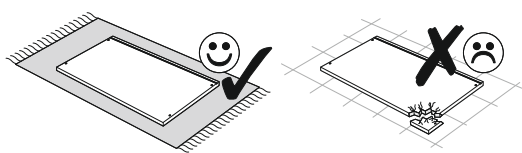
13▶



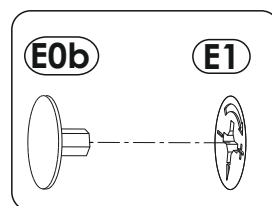
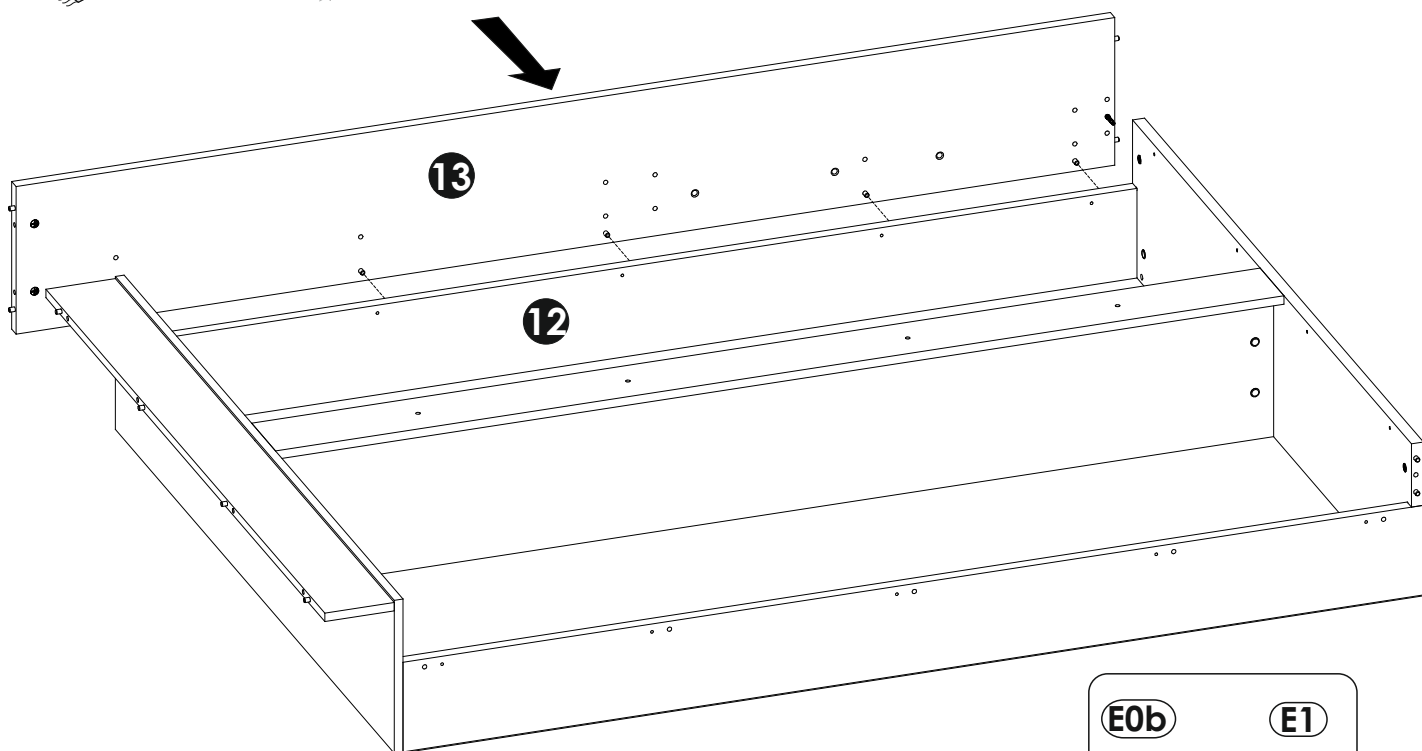
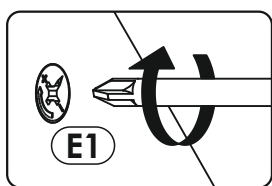
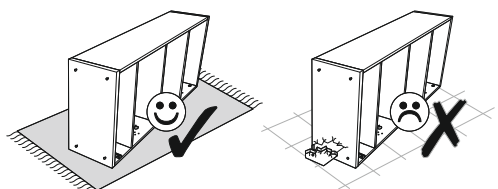
14▶



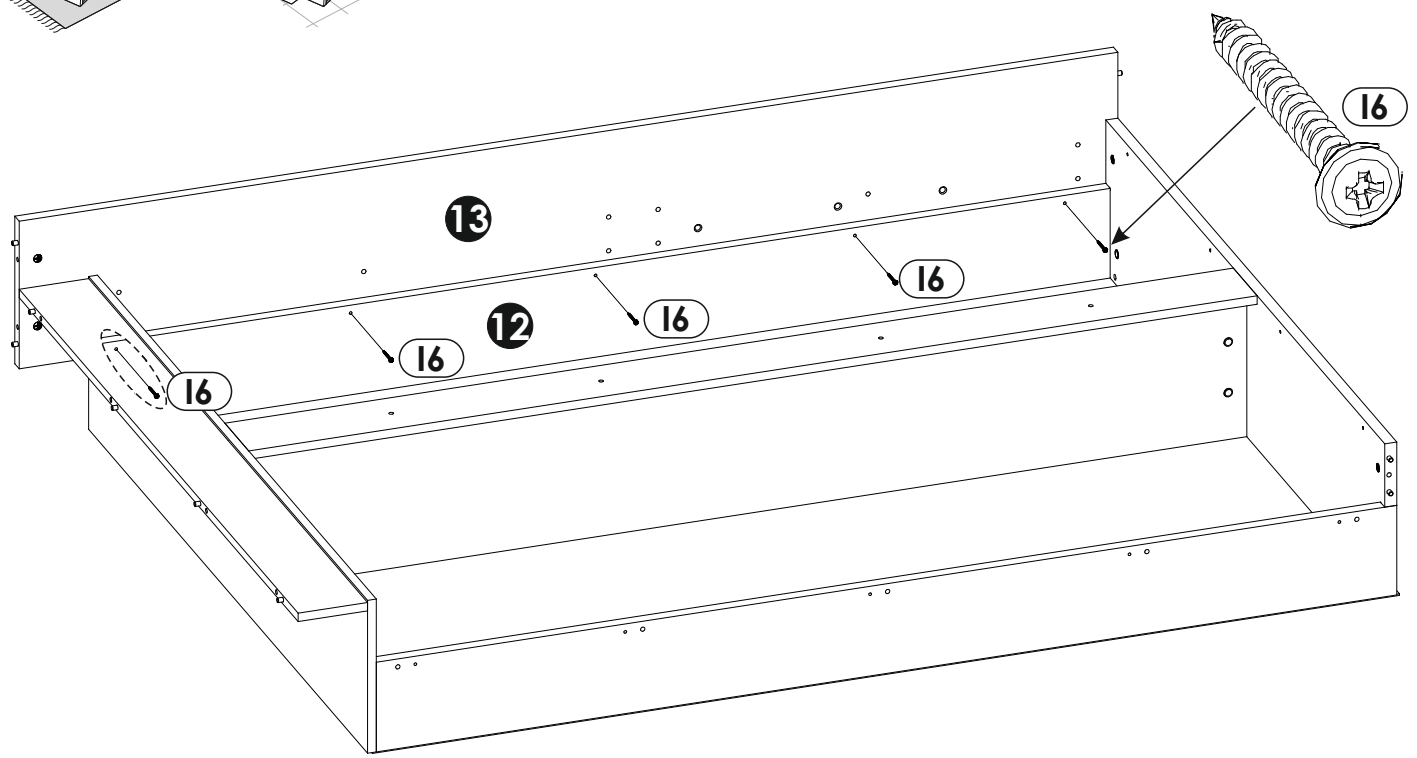
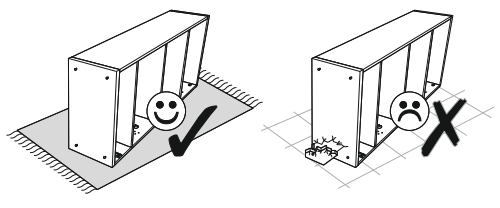
15 ▶



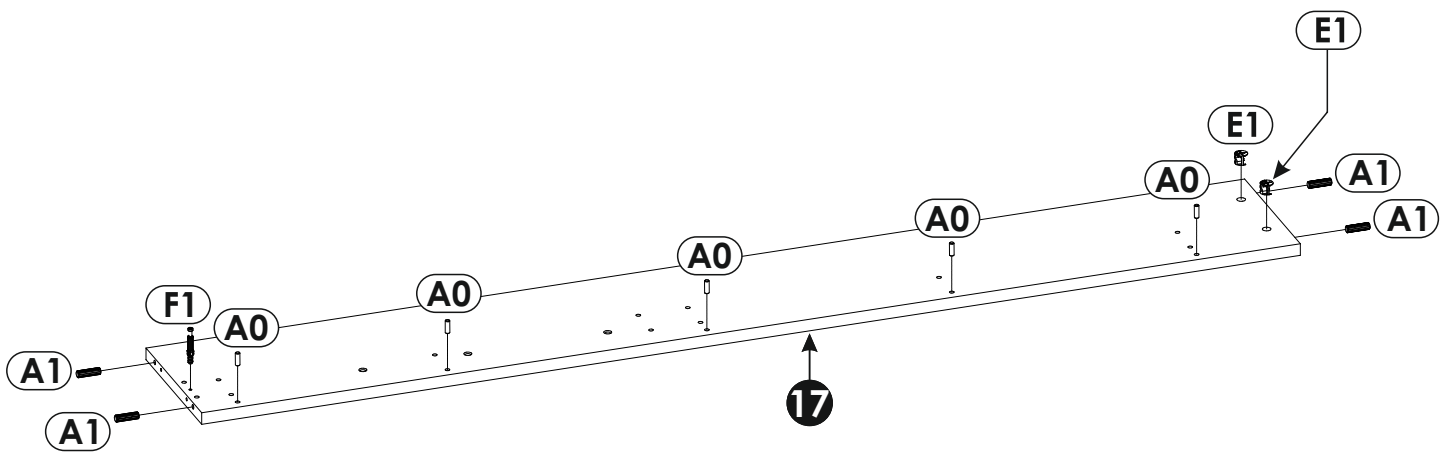
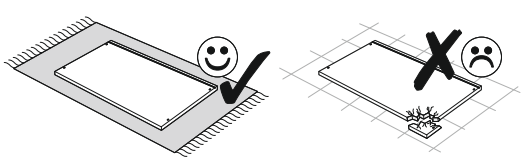
16 ▶



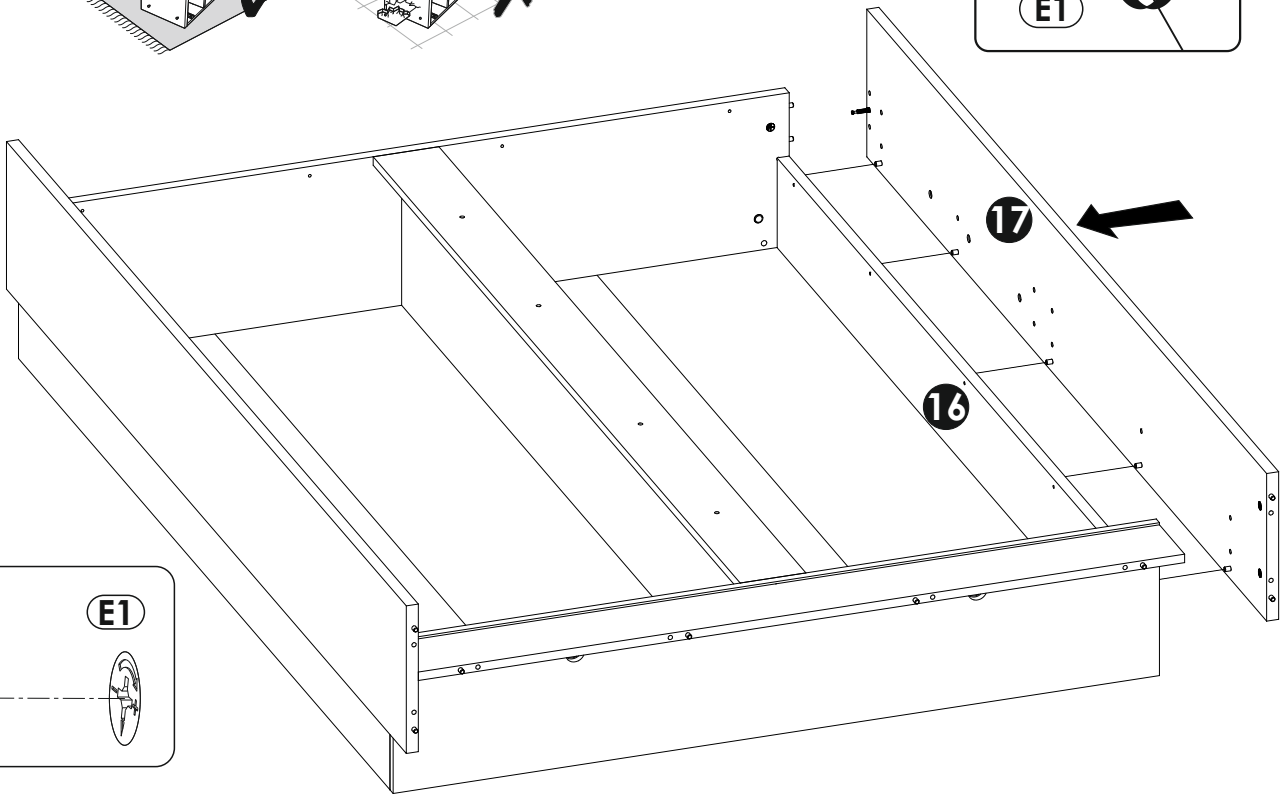
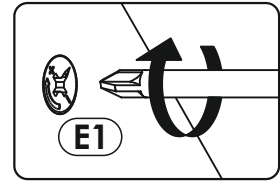
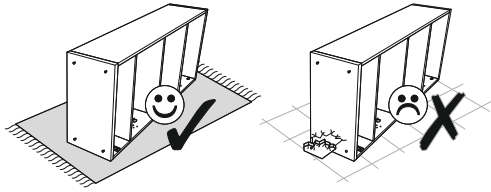
17▶



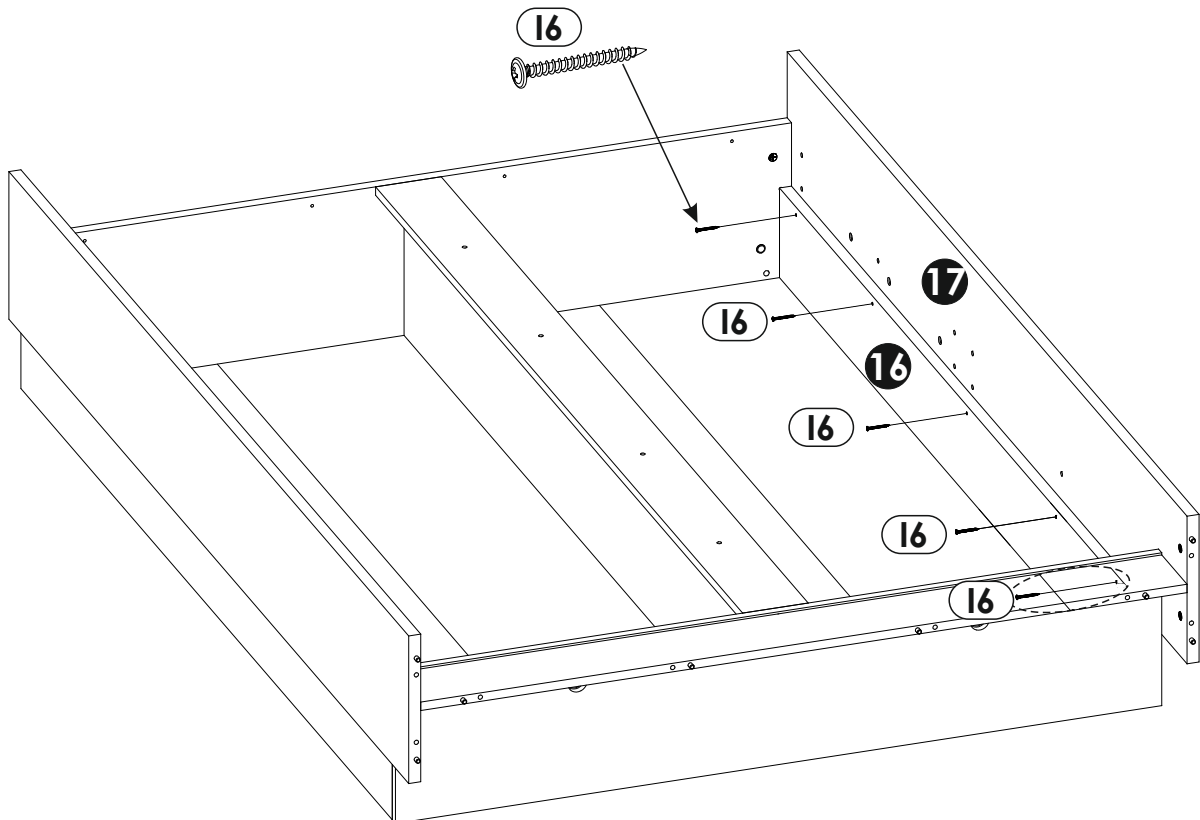
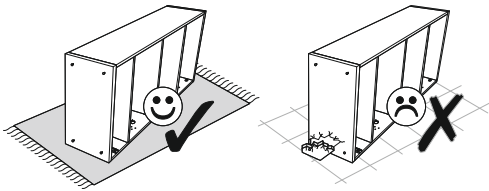
18▶



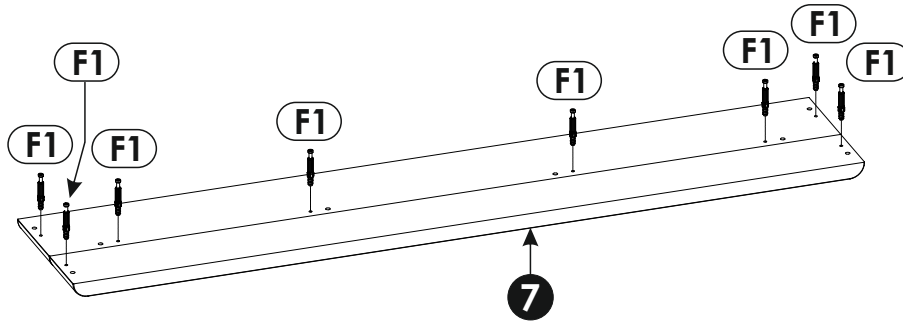
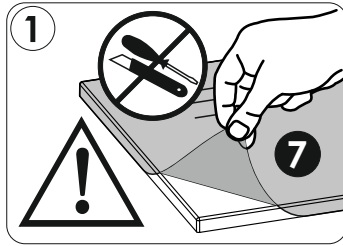
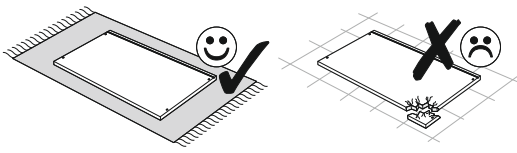
19 ▶



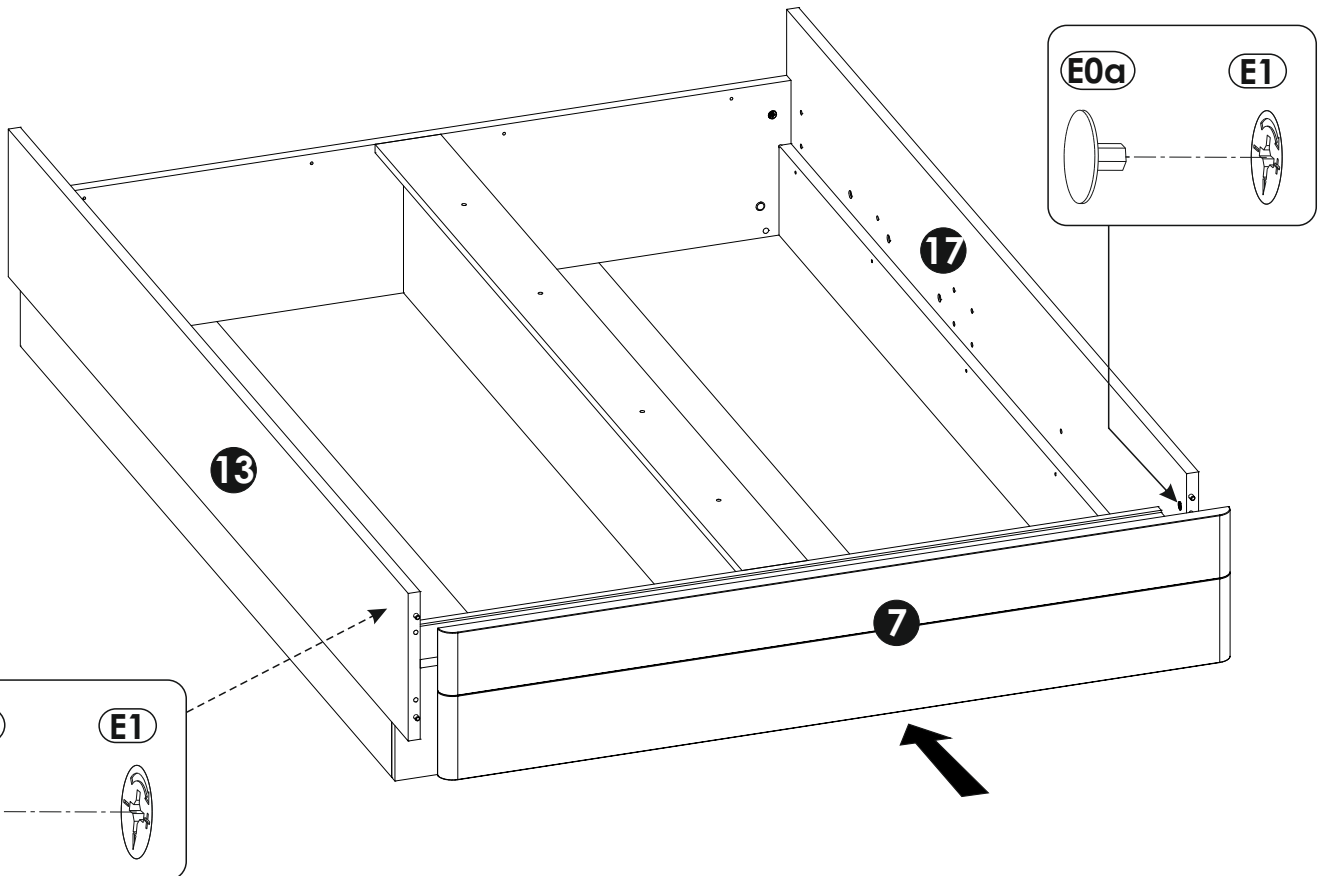
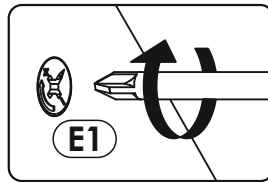
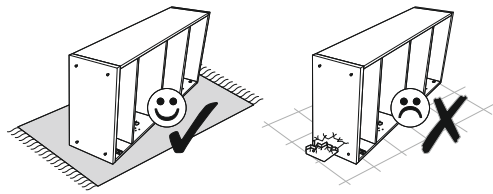
20 ▶



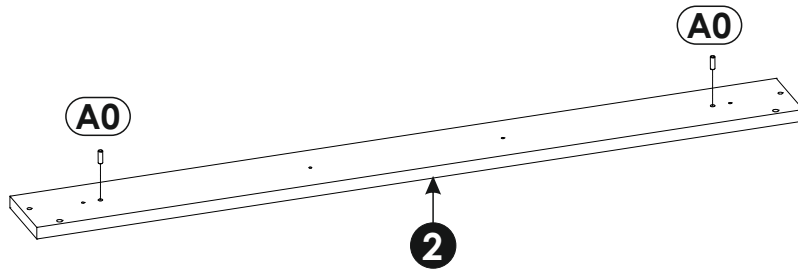
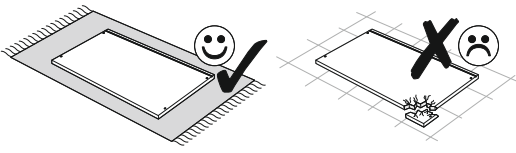
21 ▶



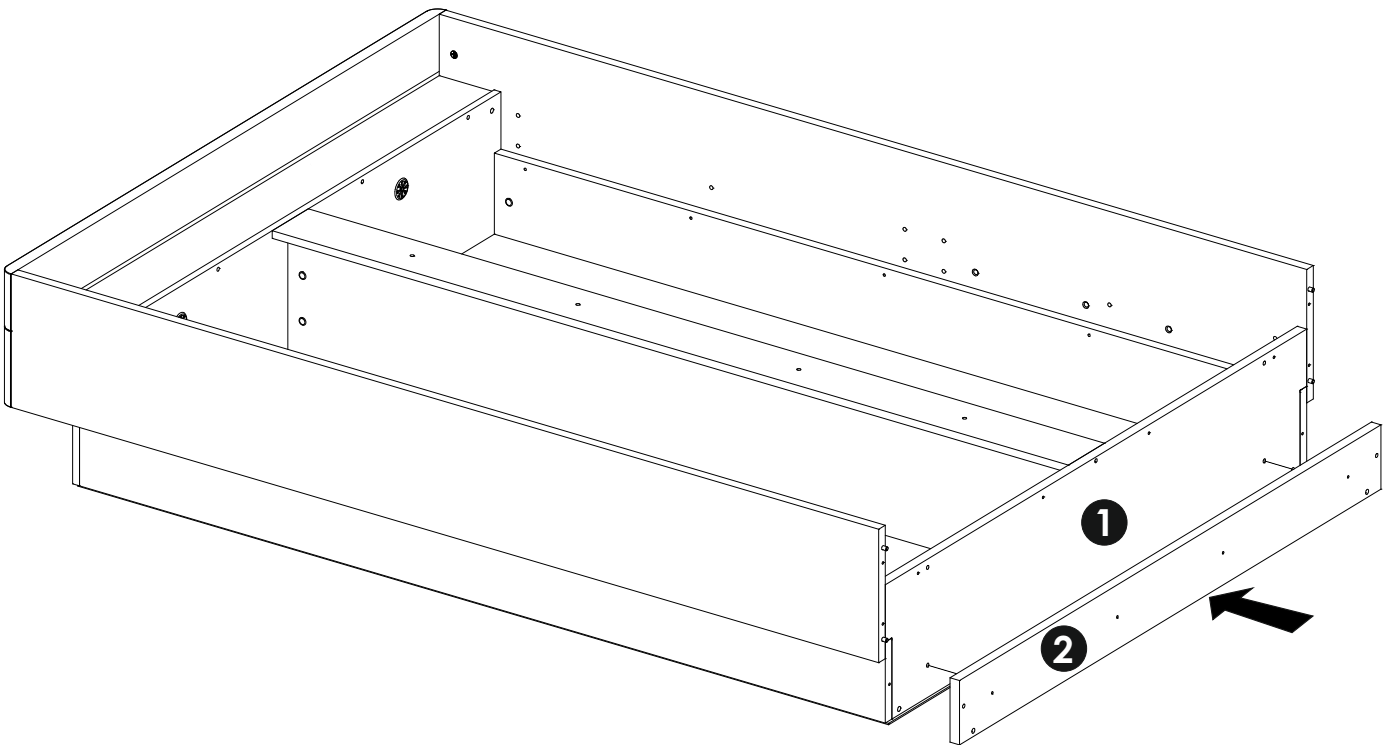
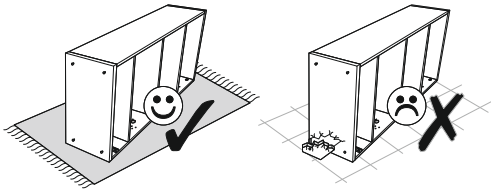
22 ▶



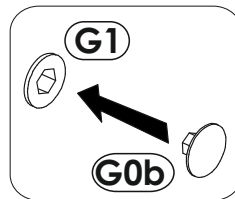
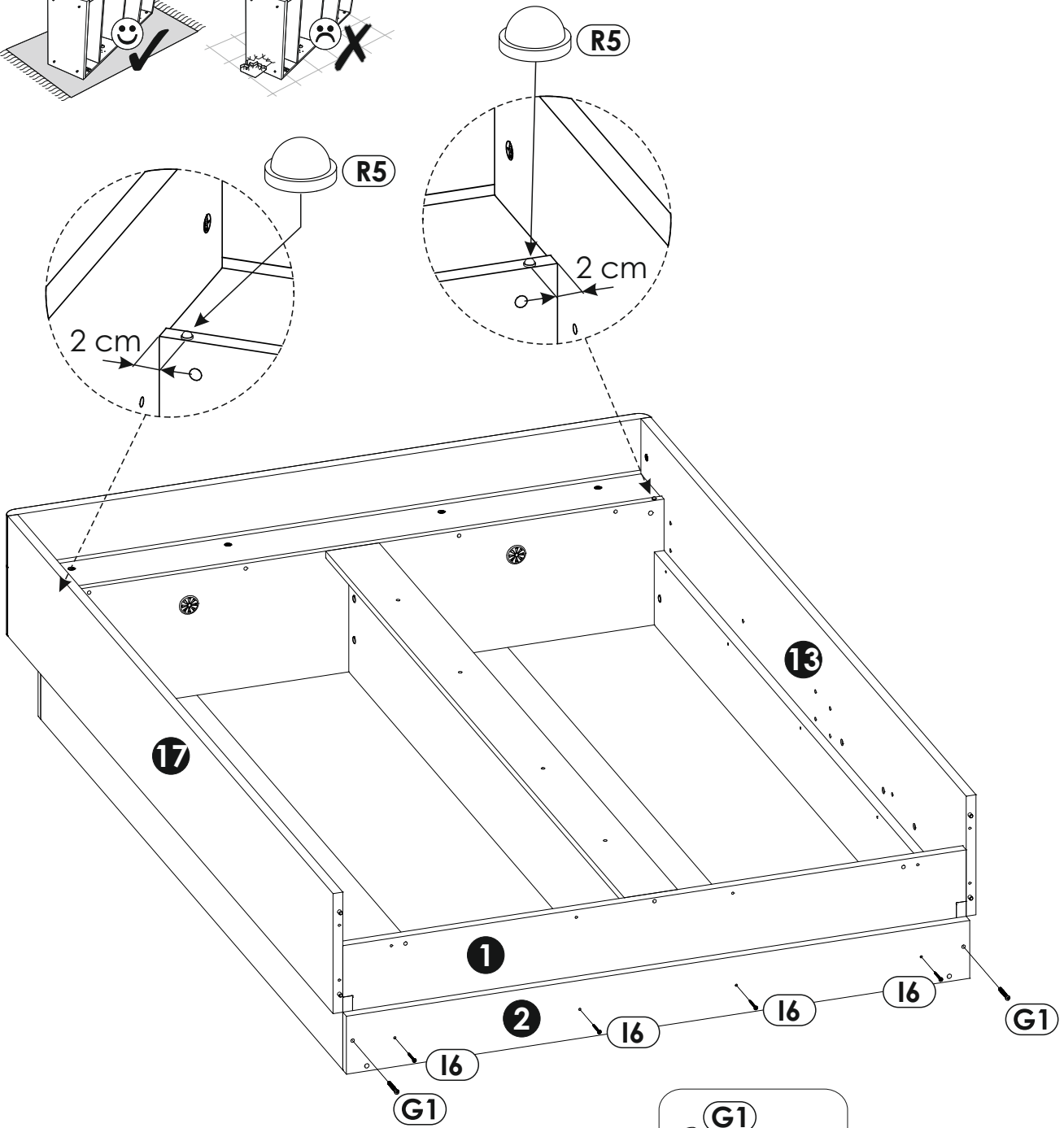
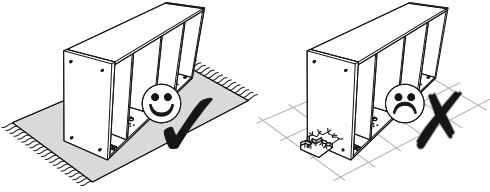
23 ▶



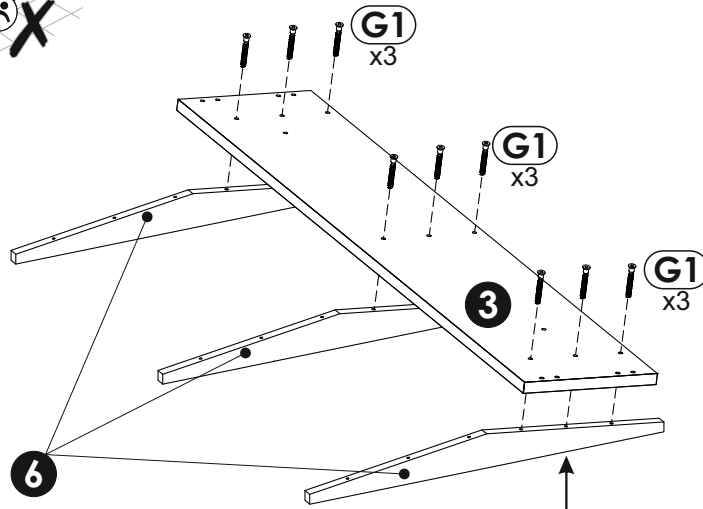
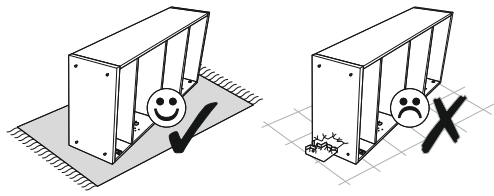
24 ▶



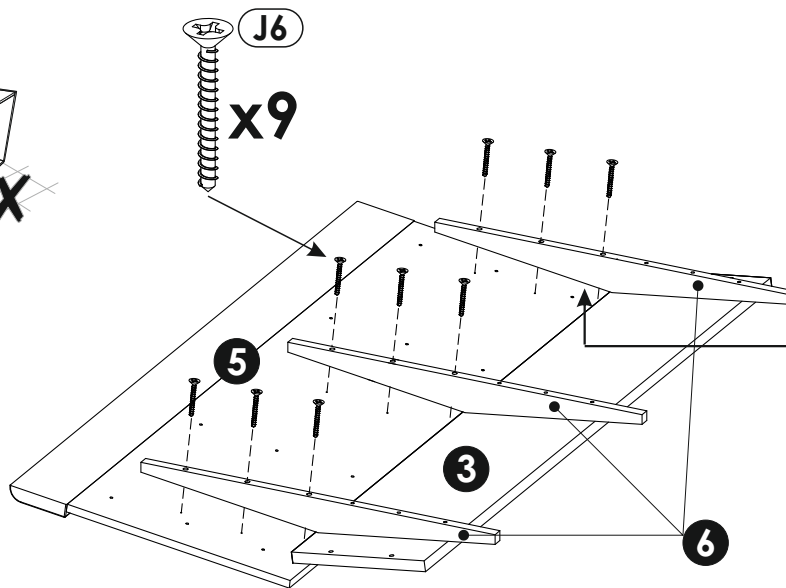
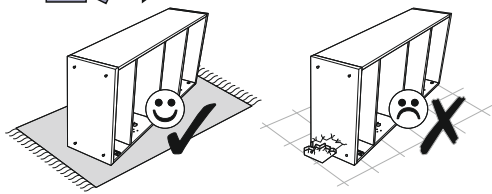
25 ▶



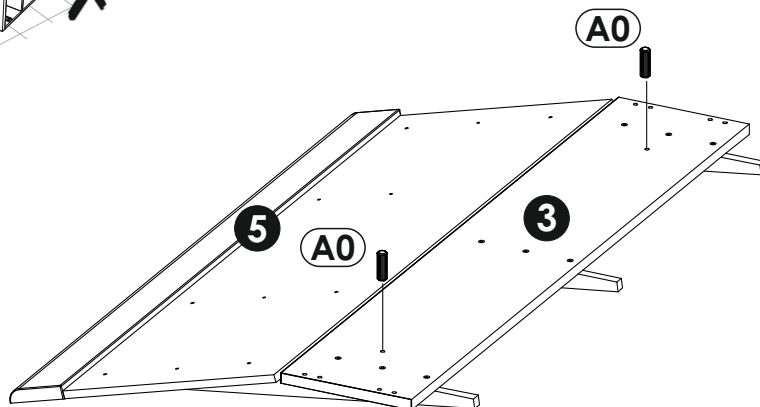
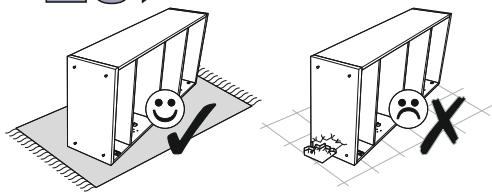
26 ▶



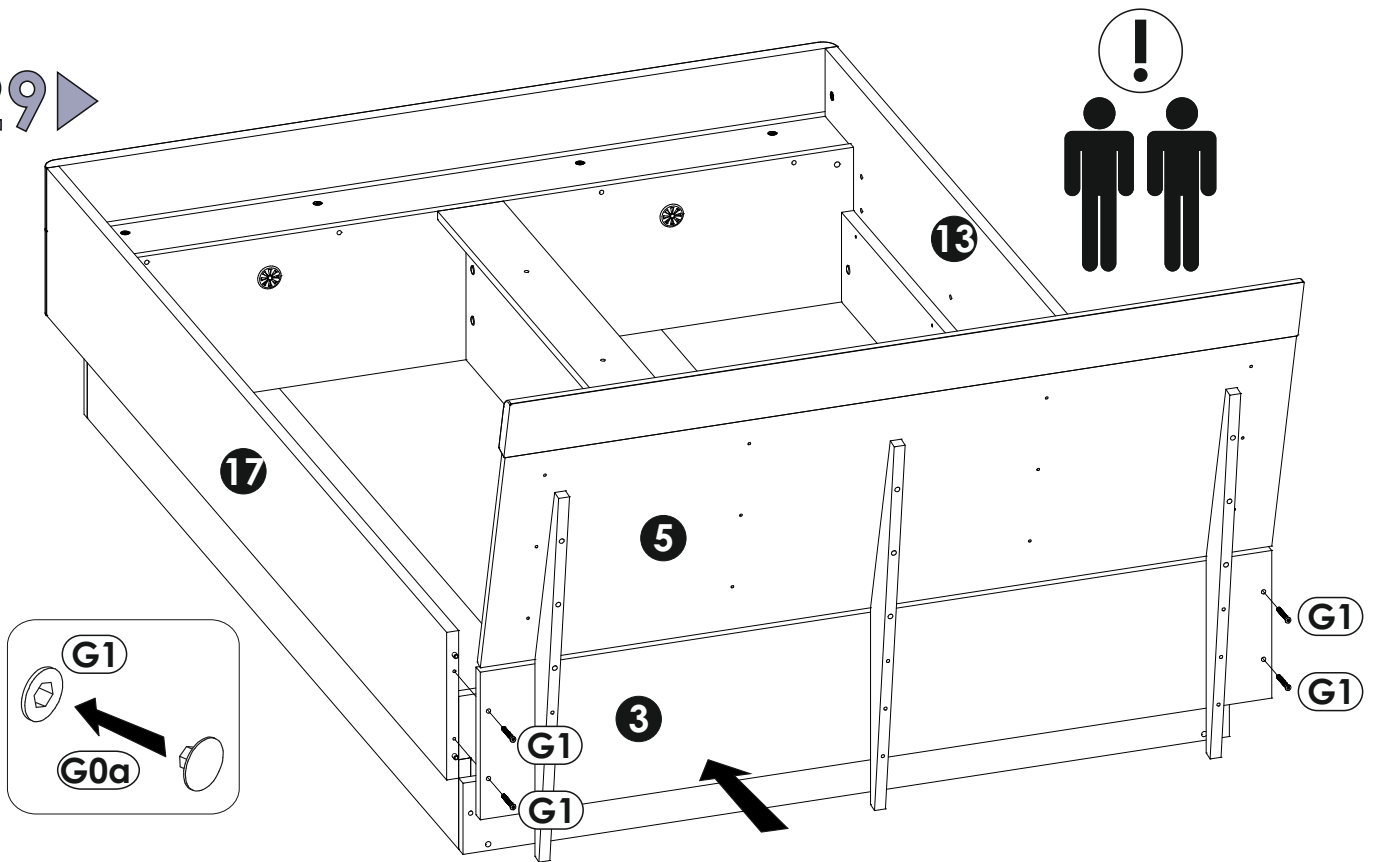
27 ▶



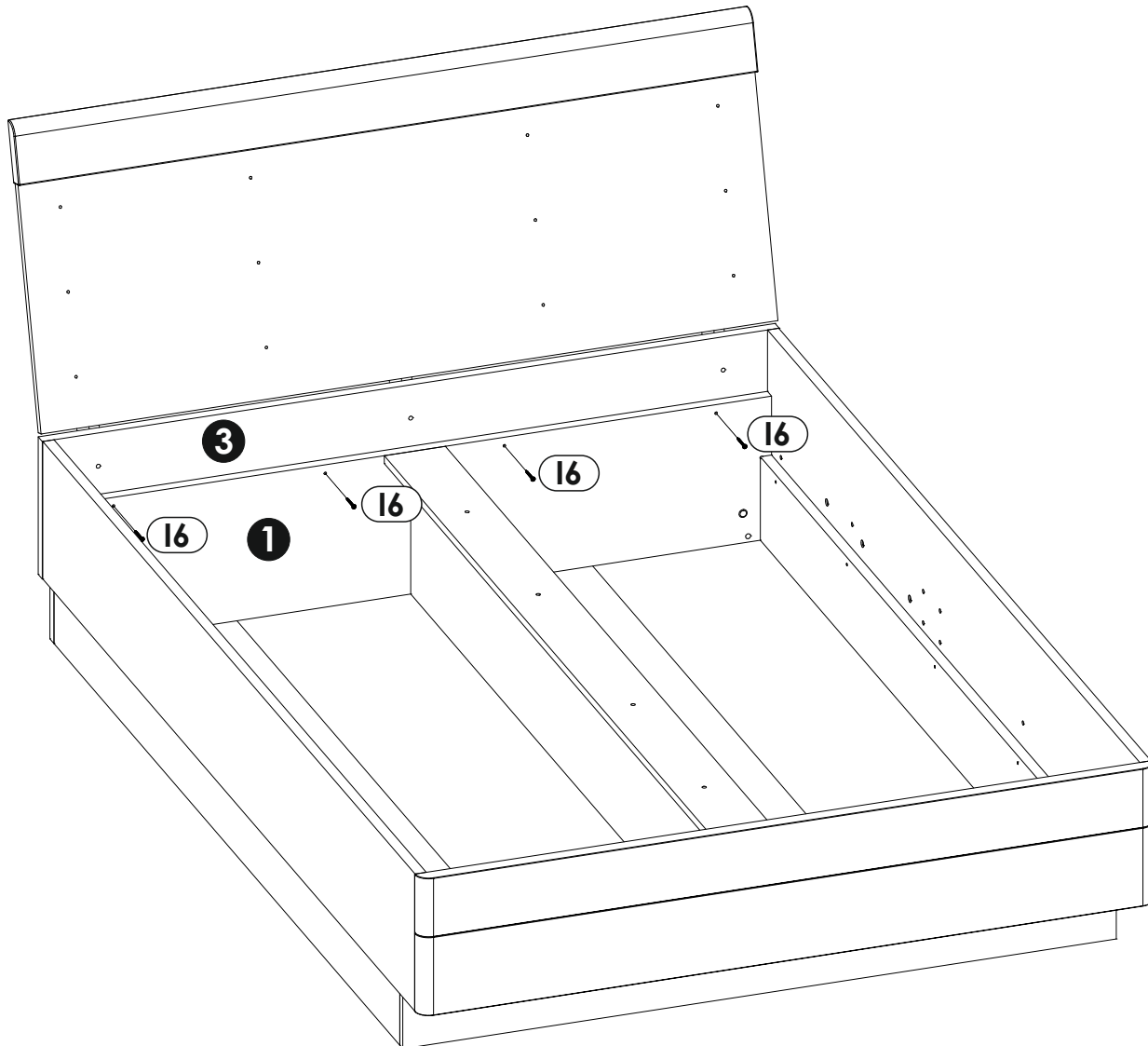
28 ▶



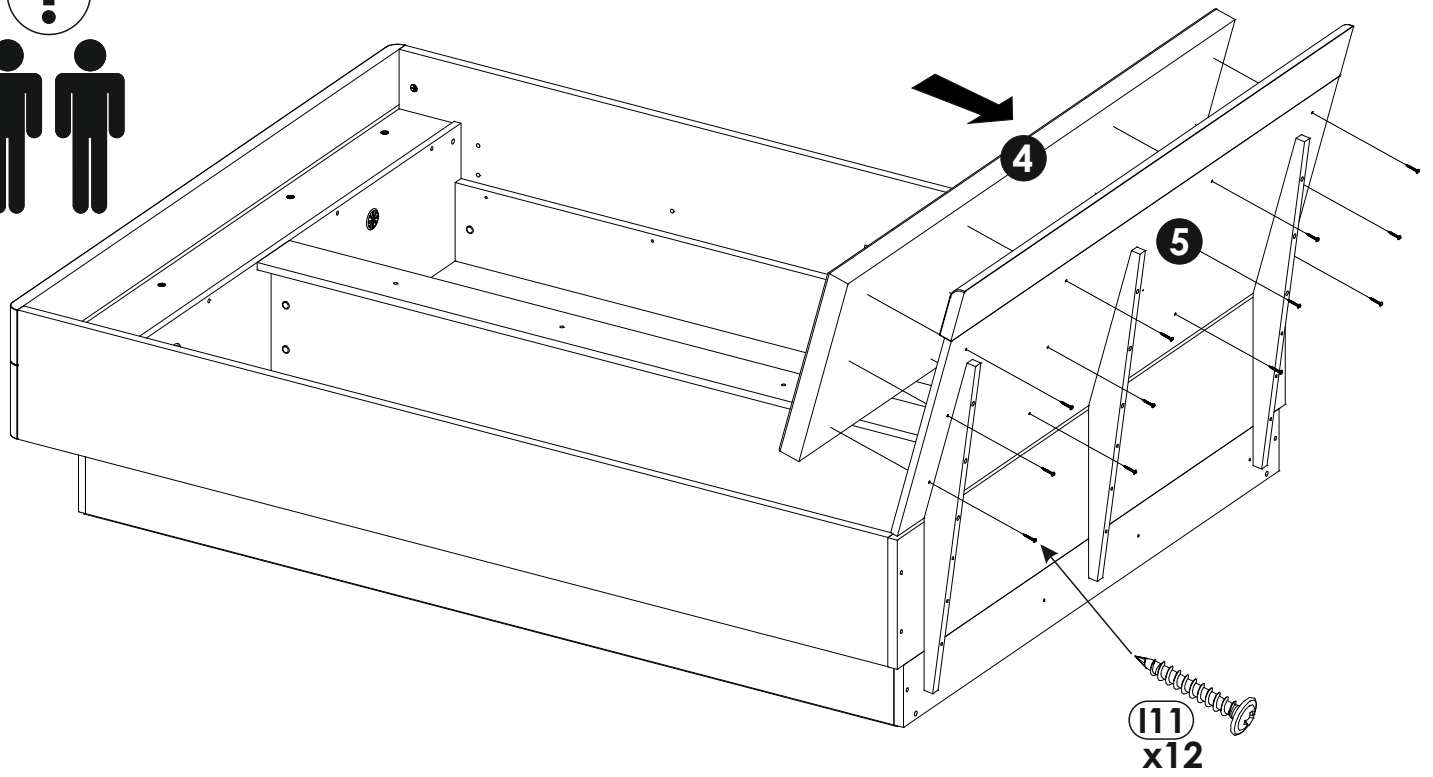
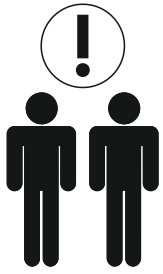
29 ▶



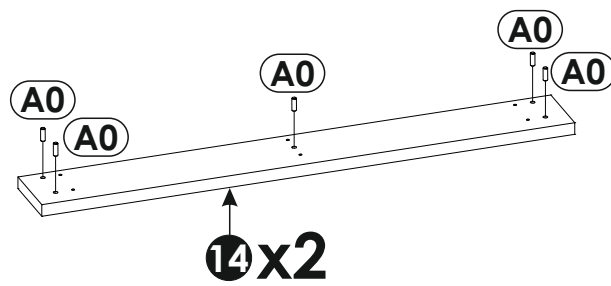
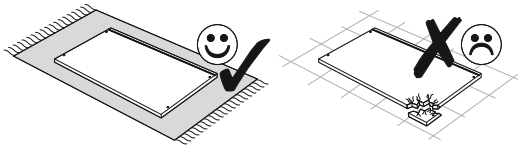
30 ▶



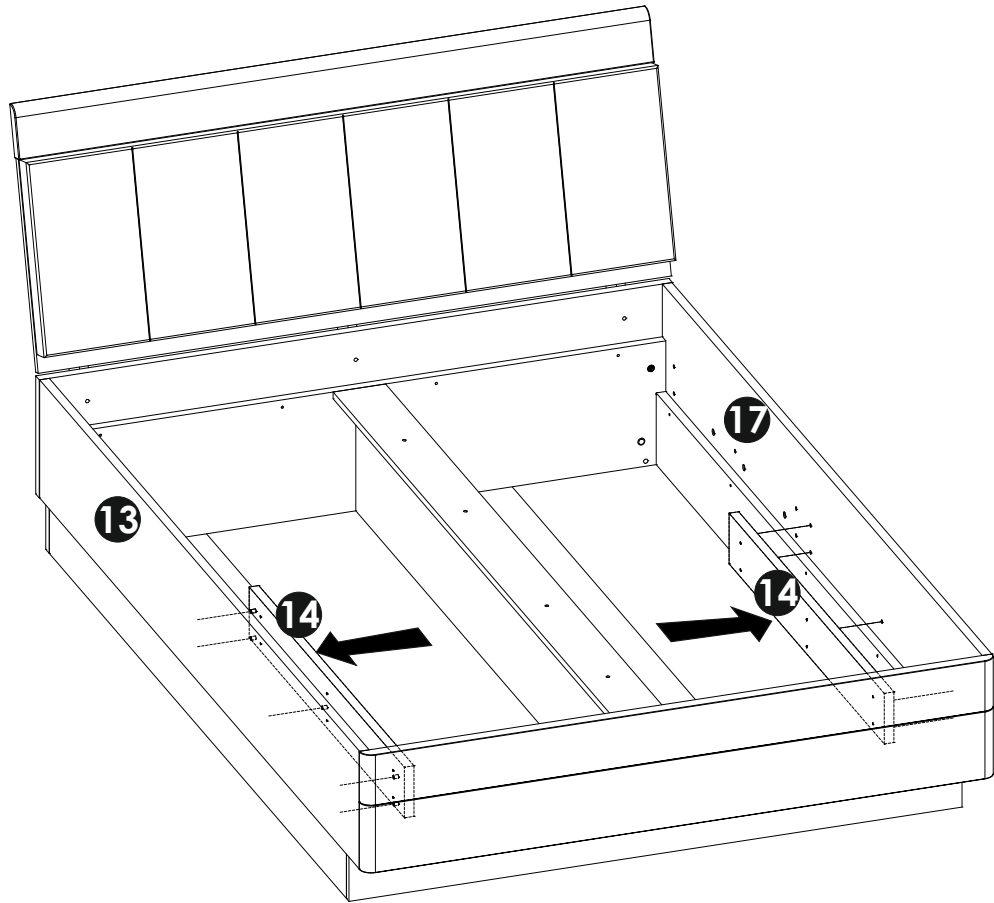
31 ▶



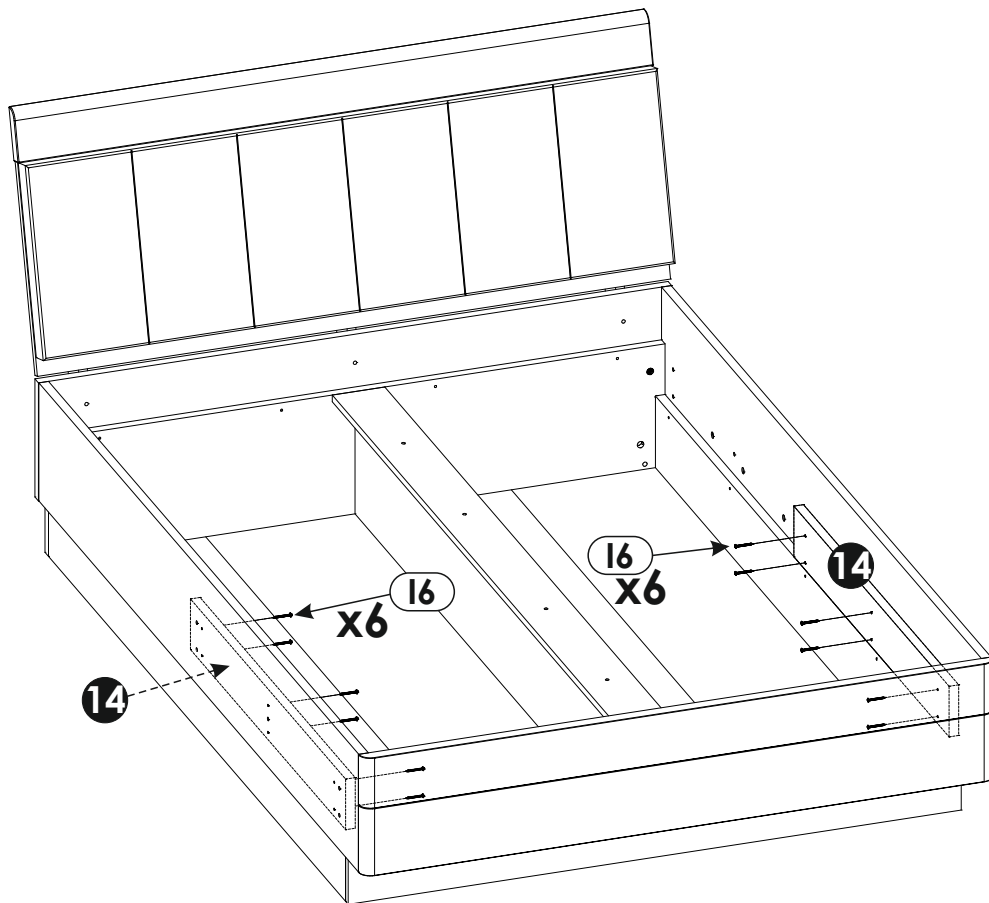
32 ▶



33 ▶



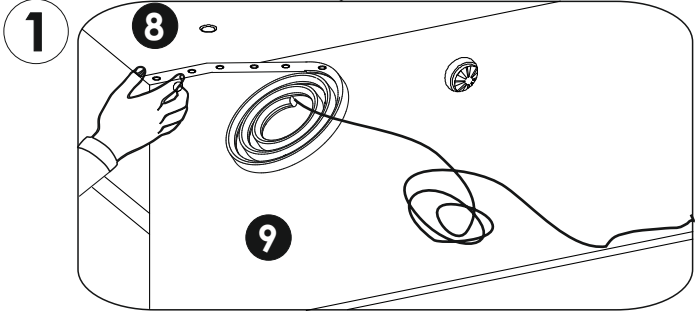
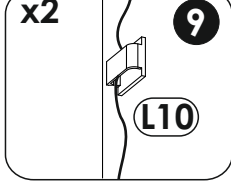
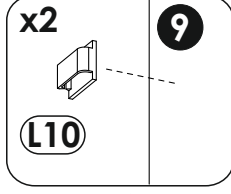
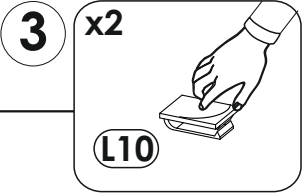
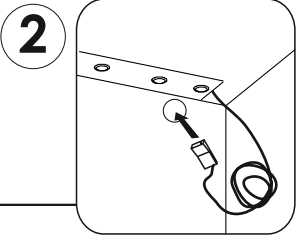
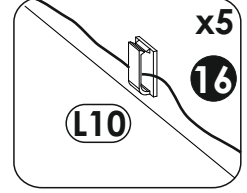
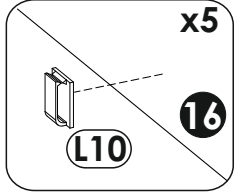
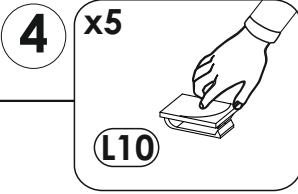
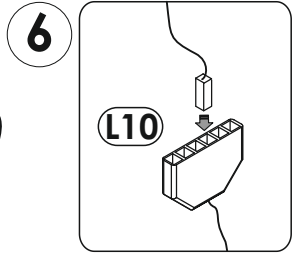
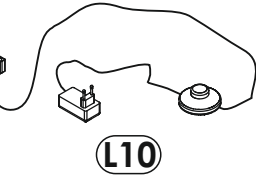
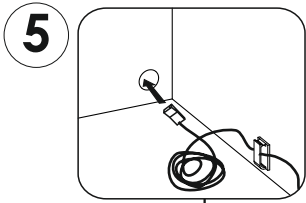
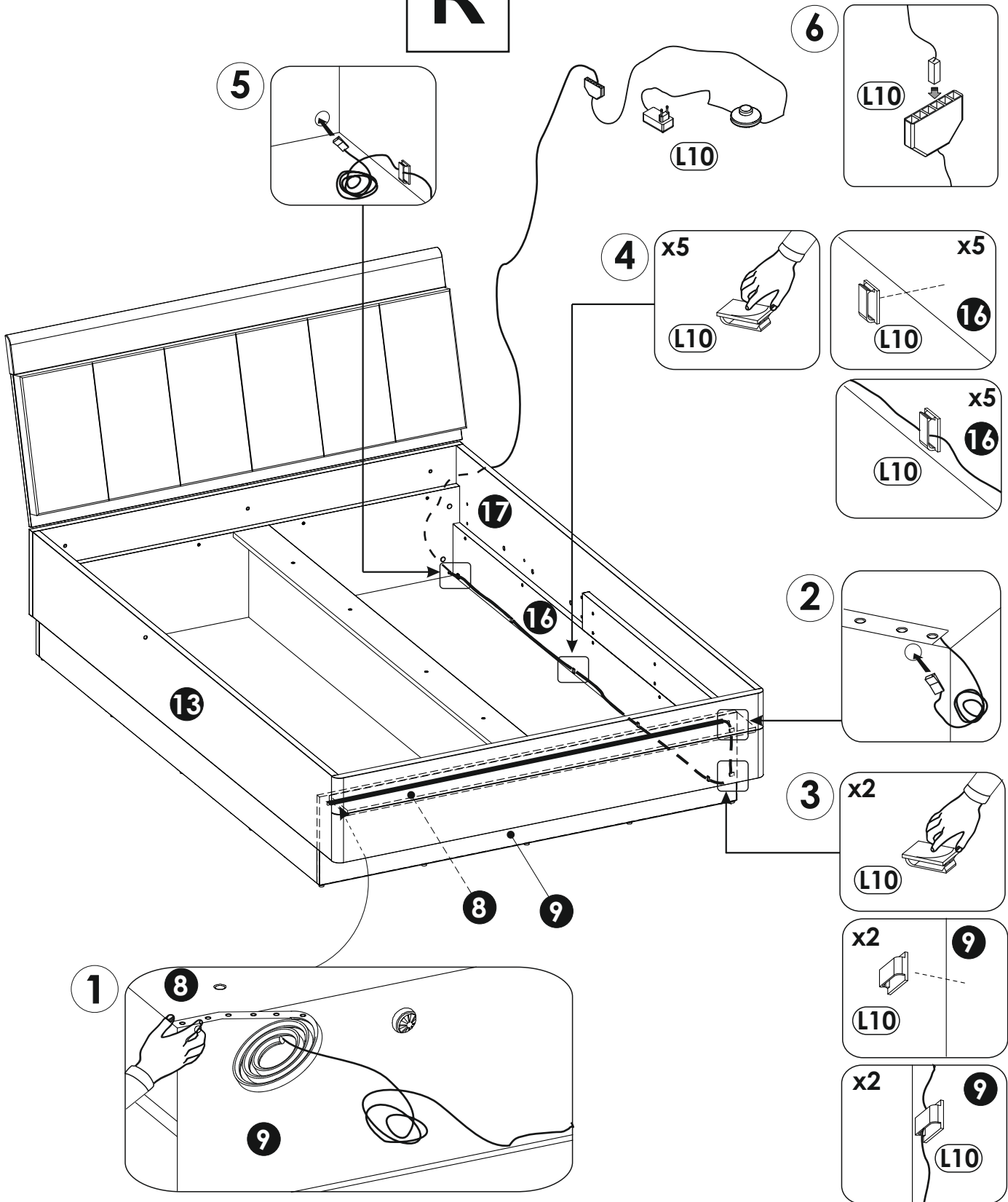
34 ▶



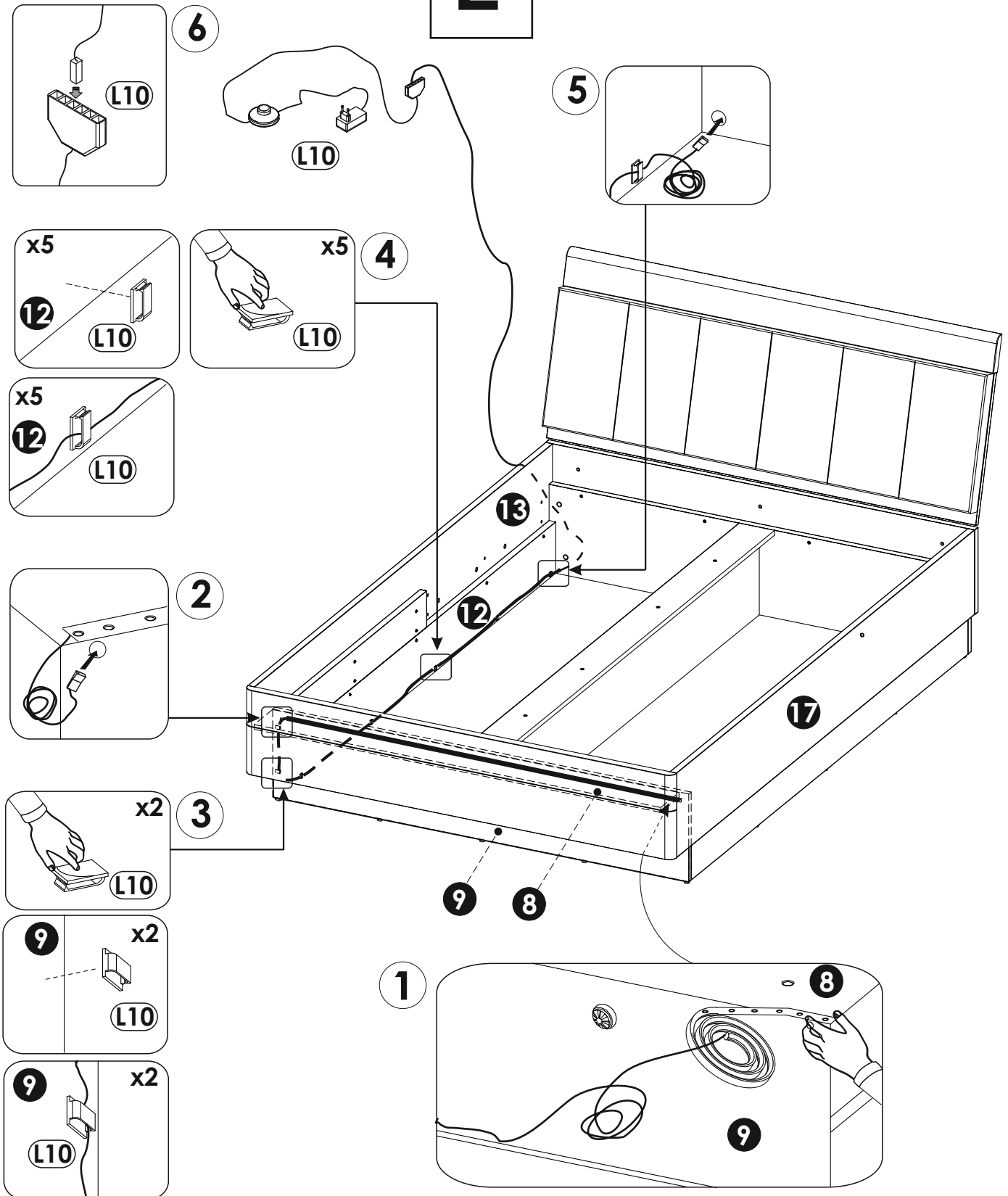
OPTION I

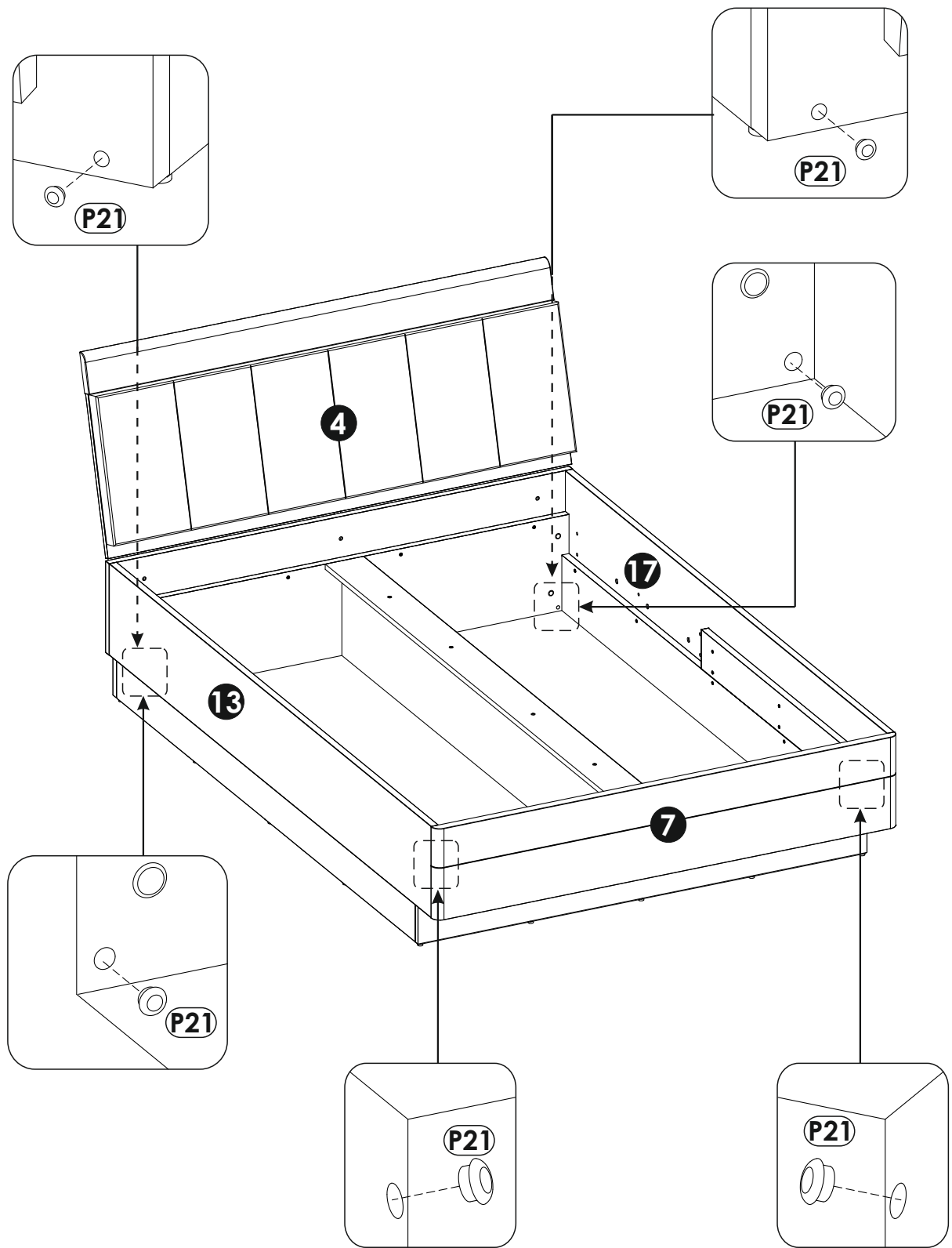


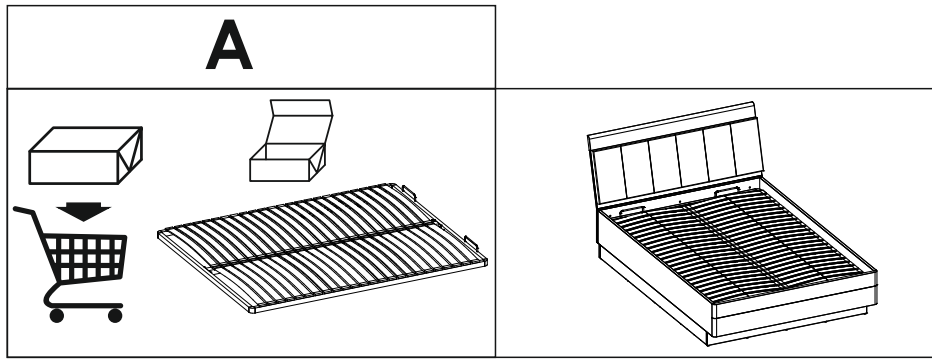
R



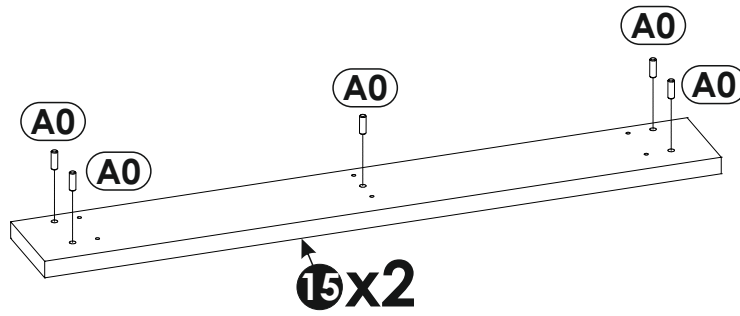
OPTION I



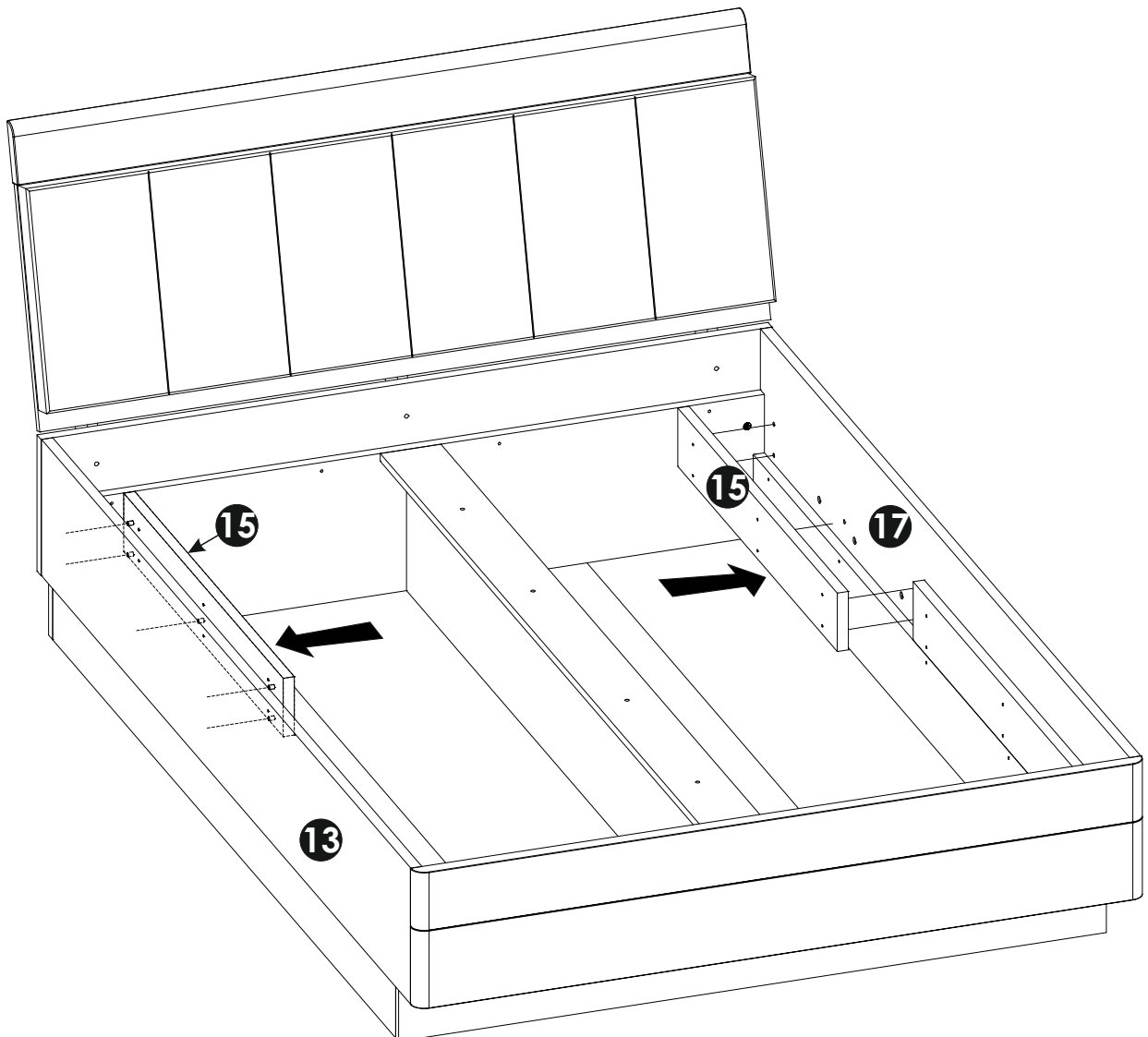


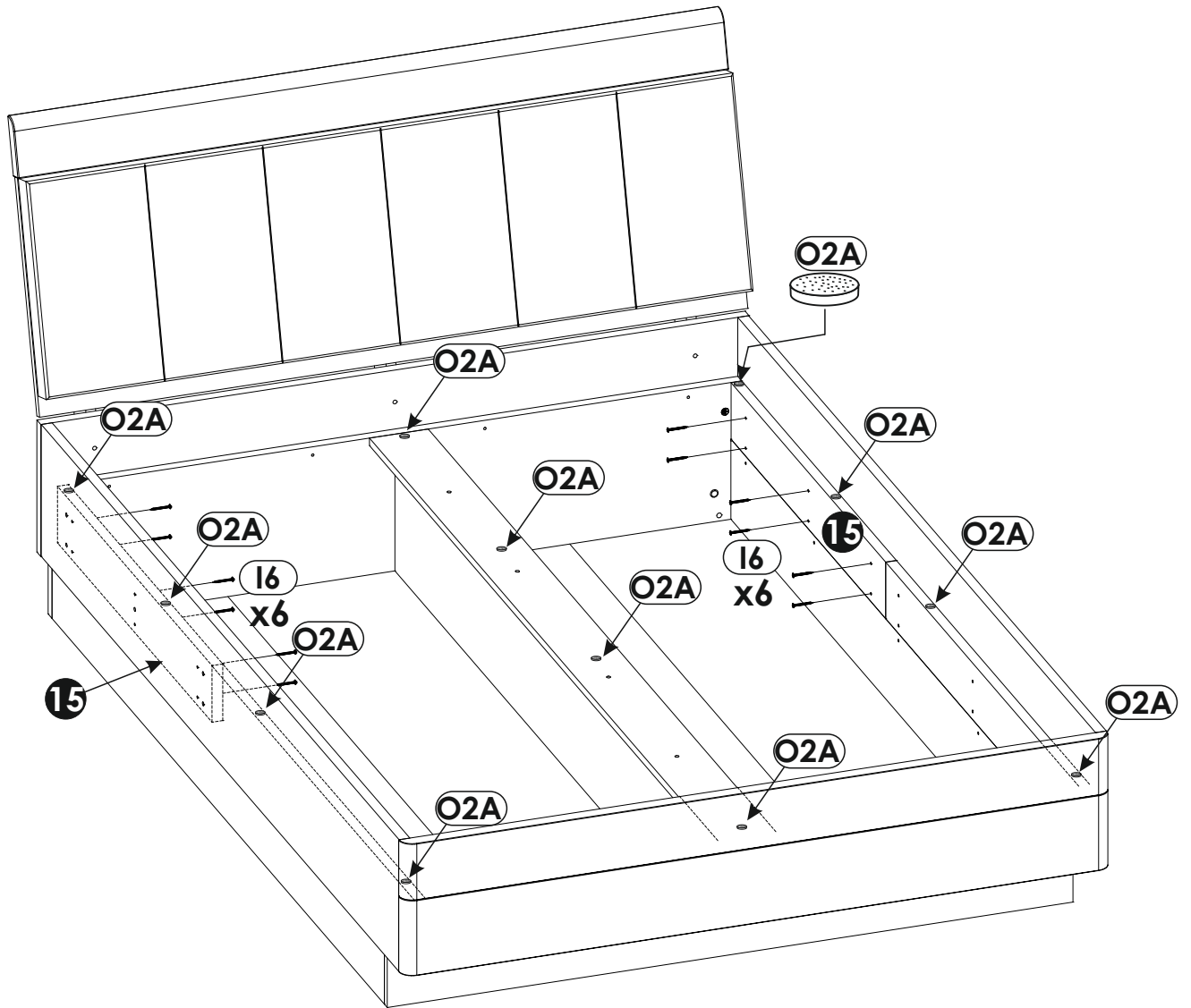


37▶

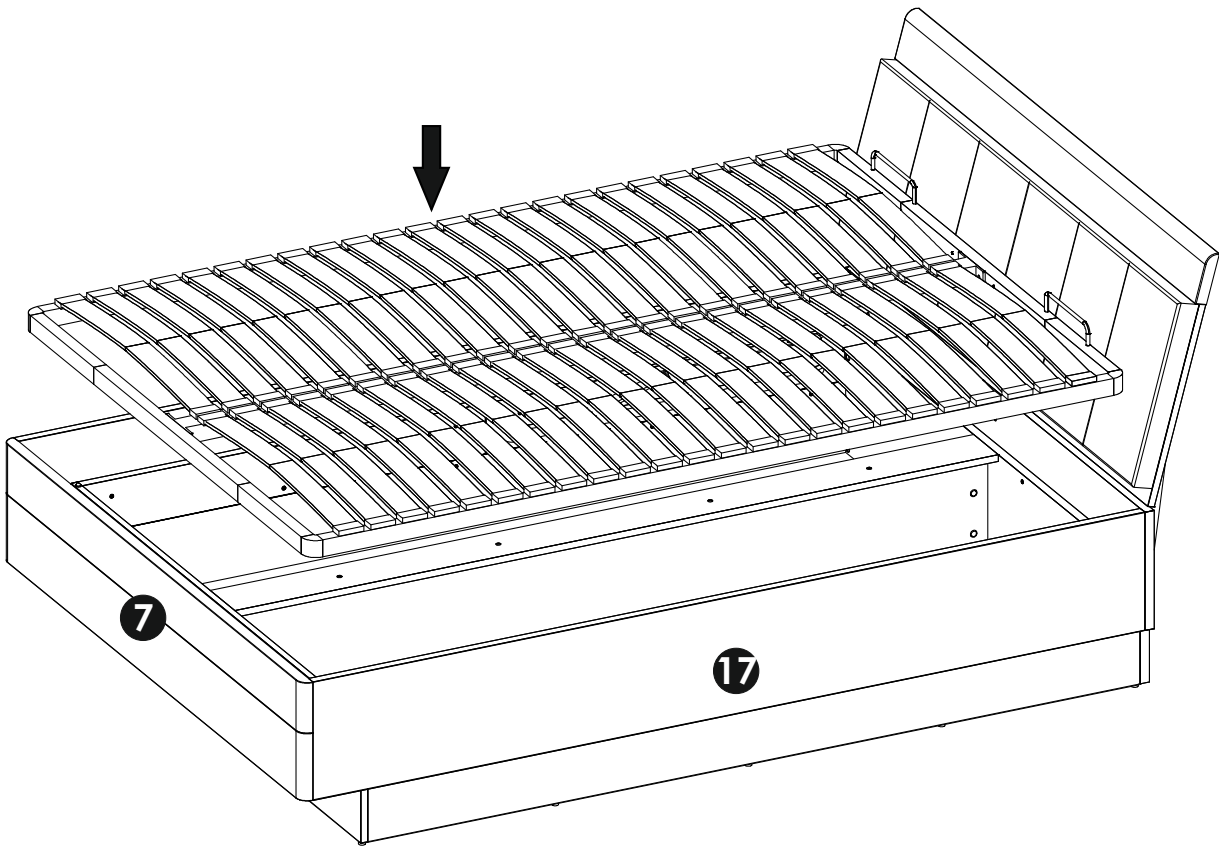


38▶

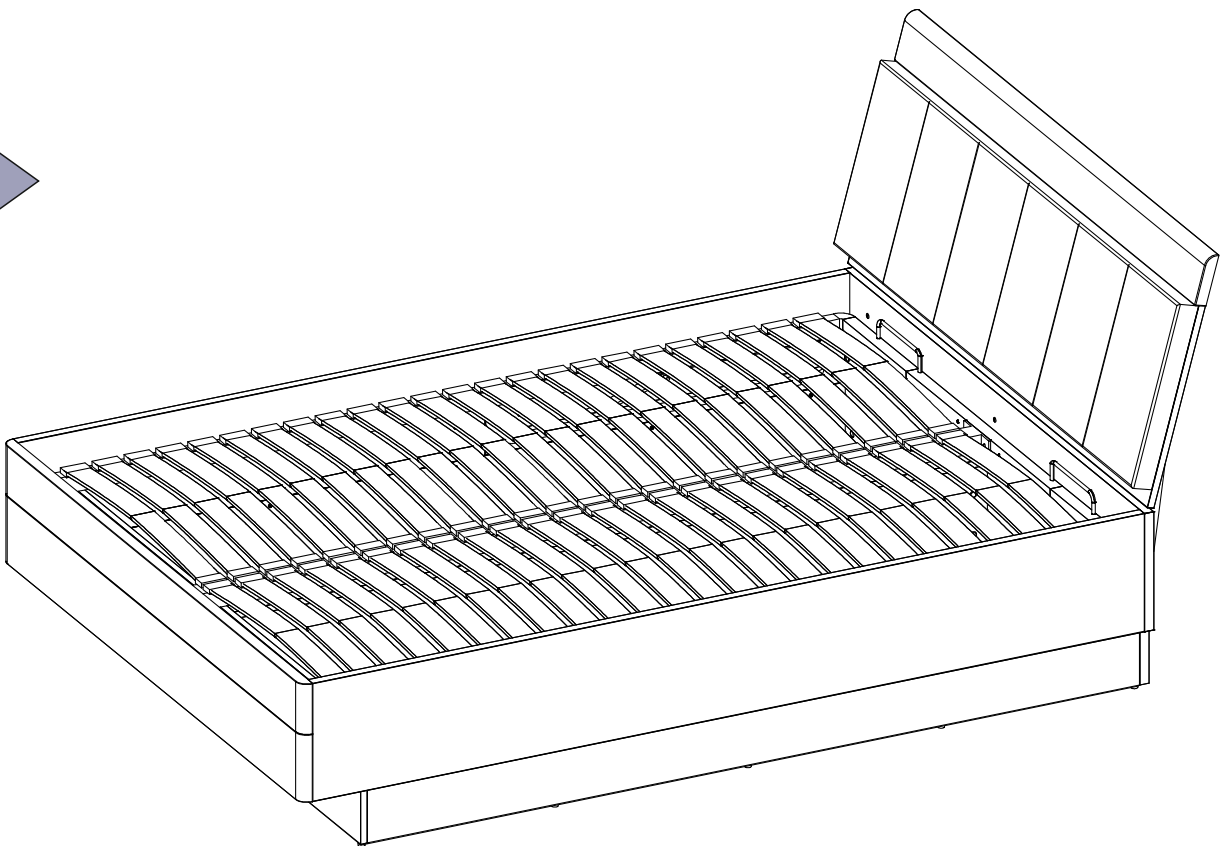


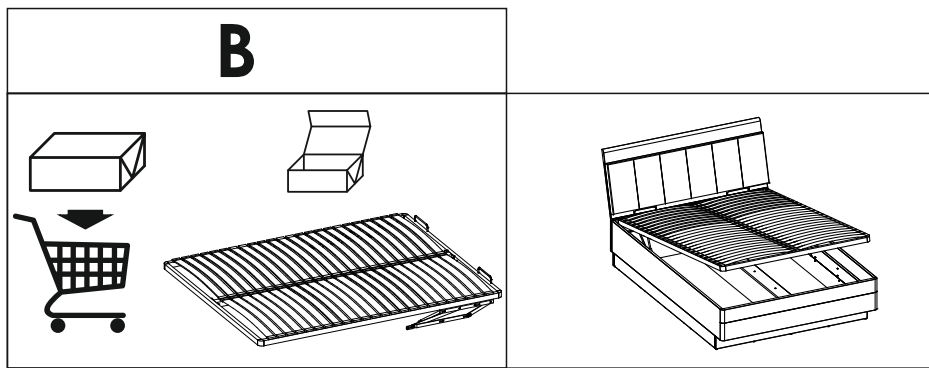


40 ▶

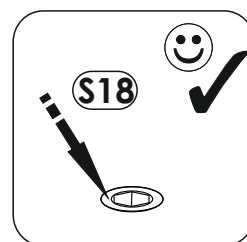
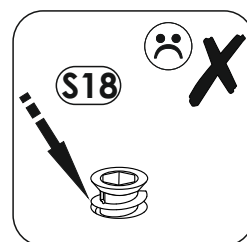
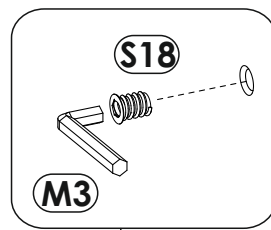
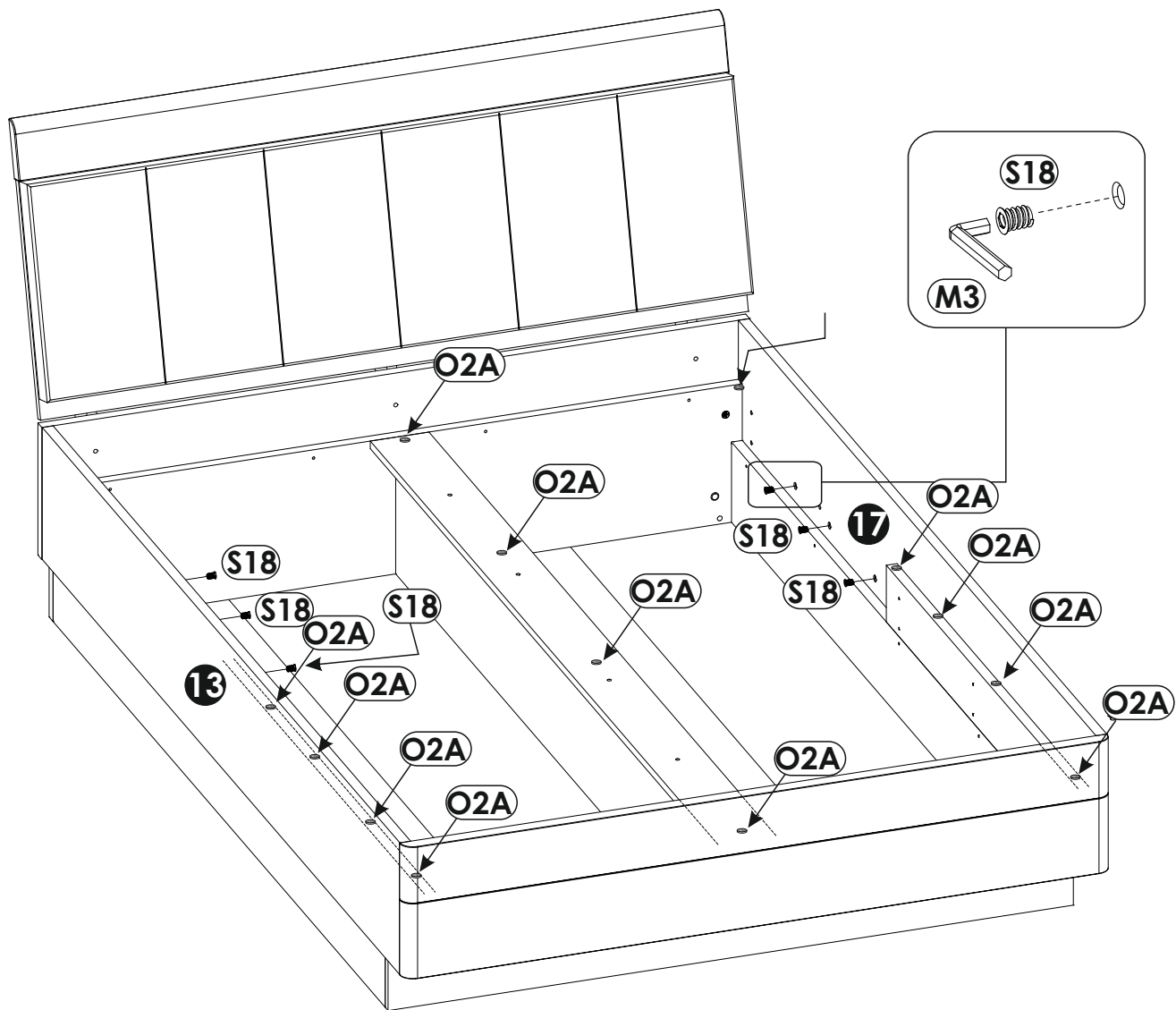


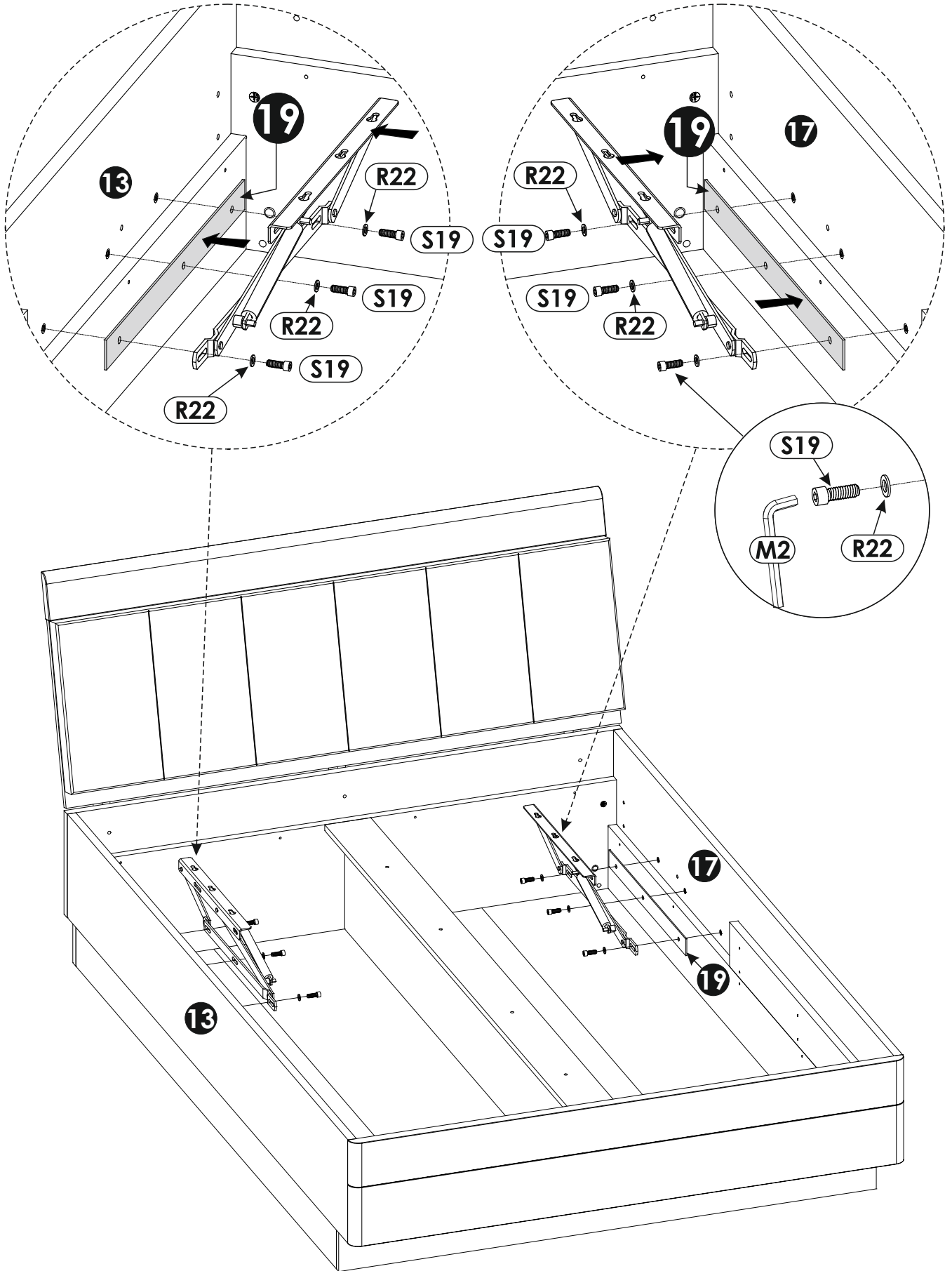
41 ▶



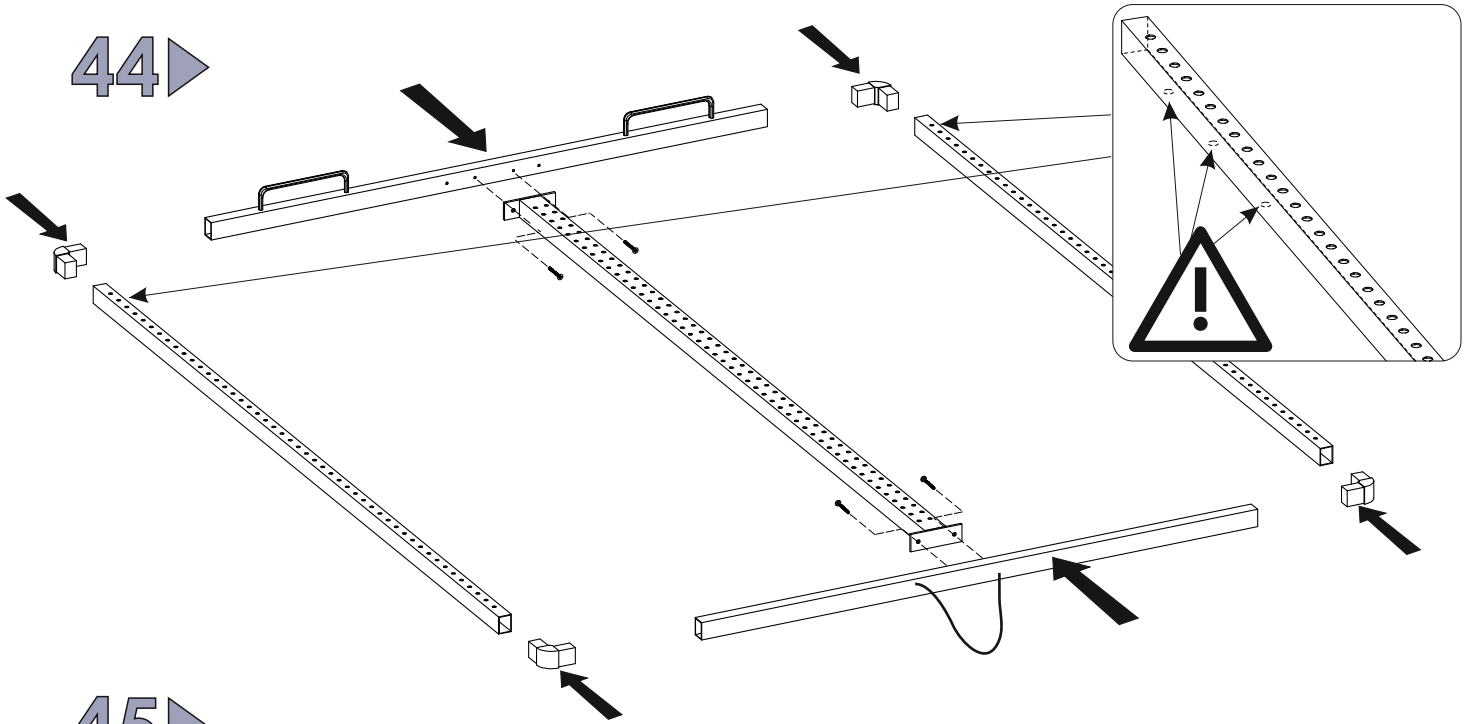


42 ▶

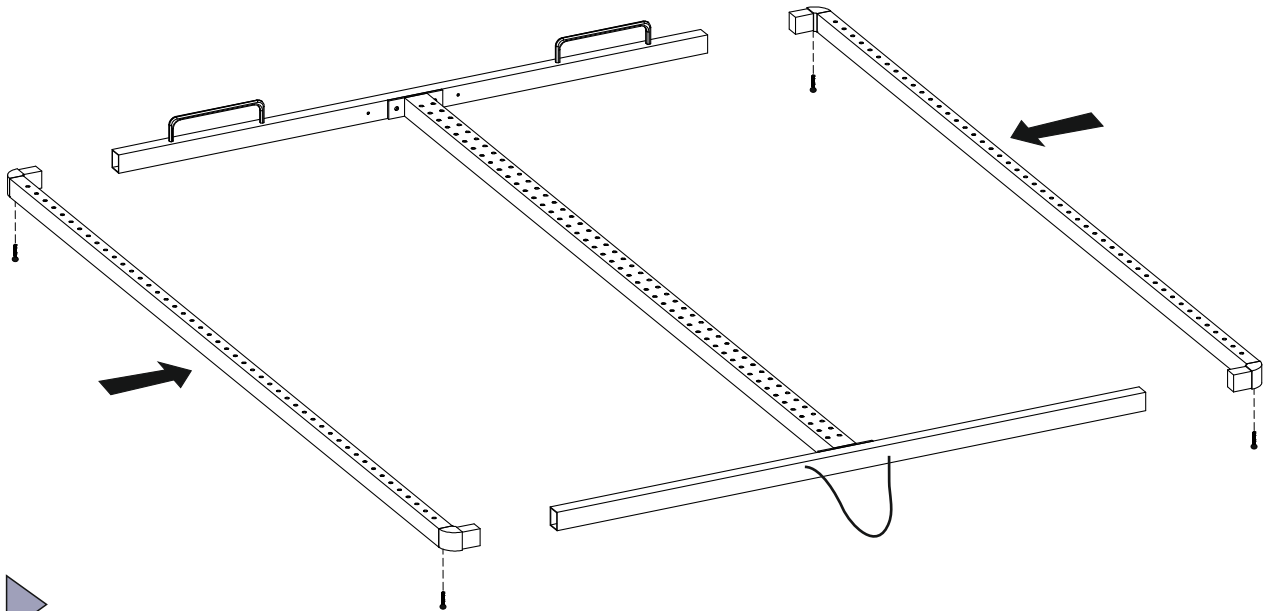




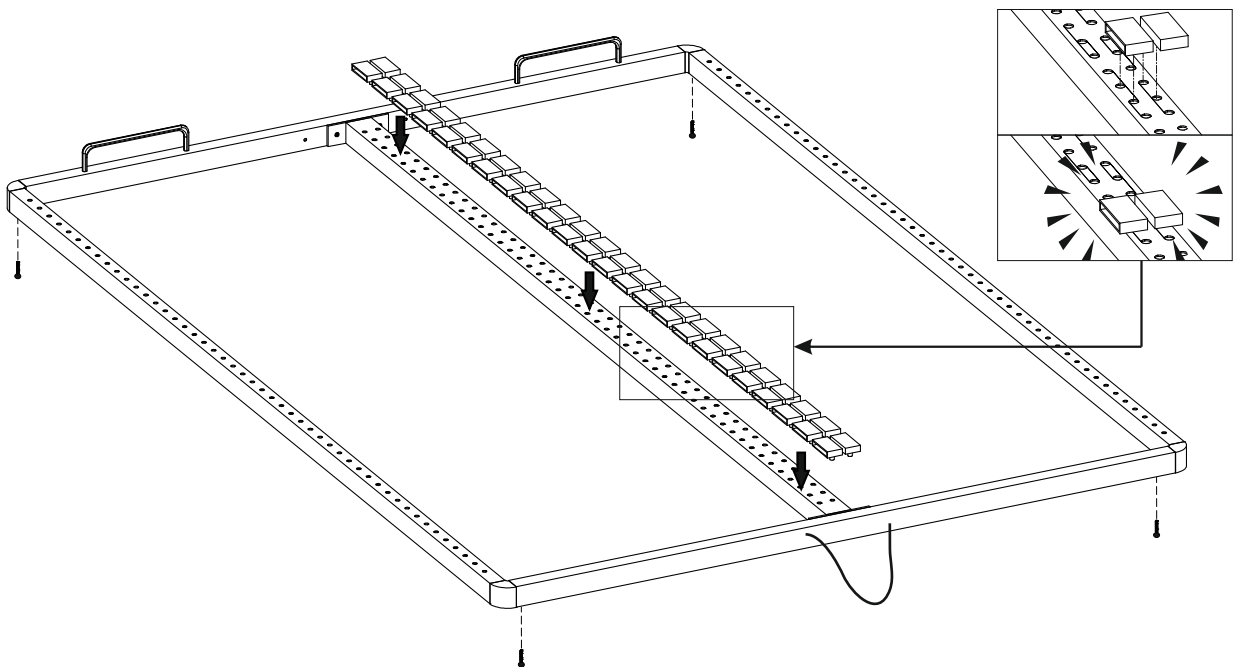
44 ▶



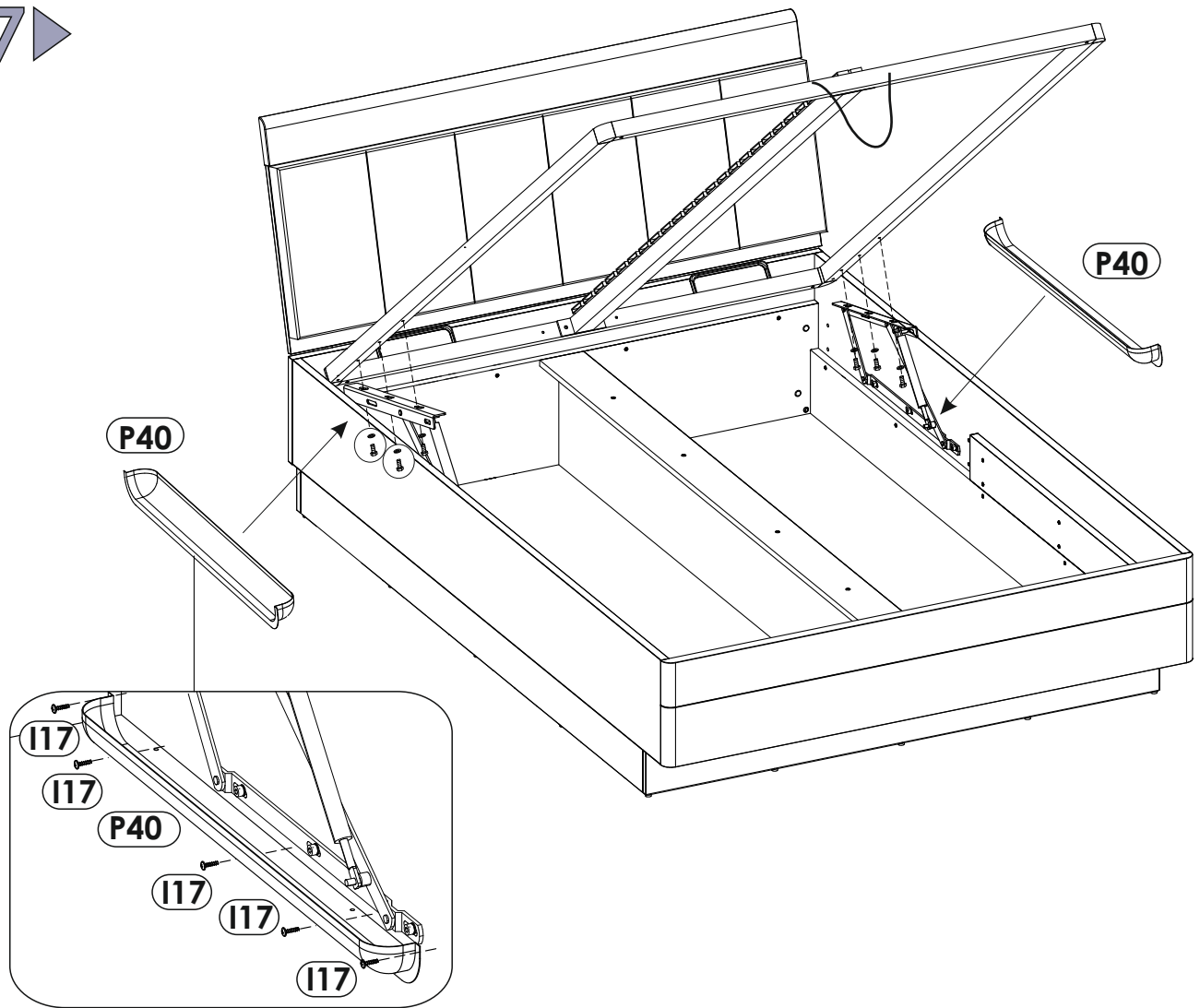
45 ▶



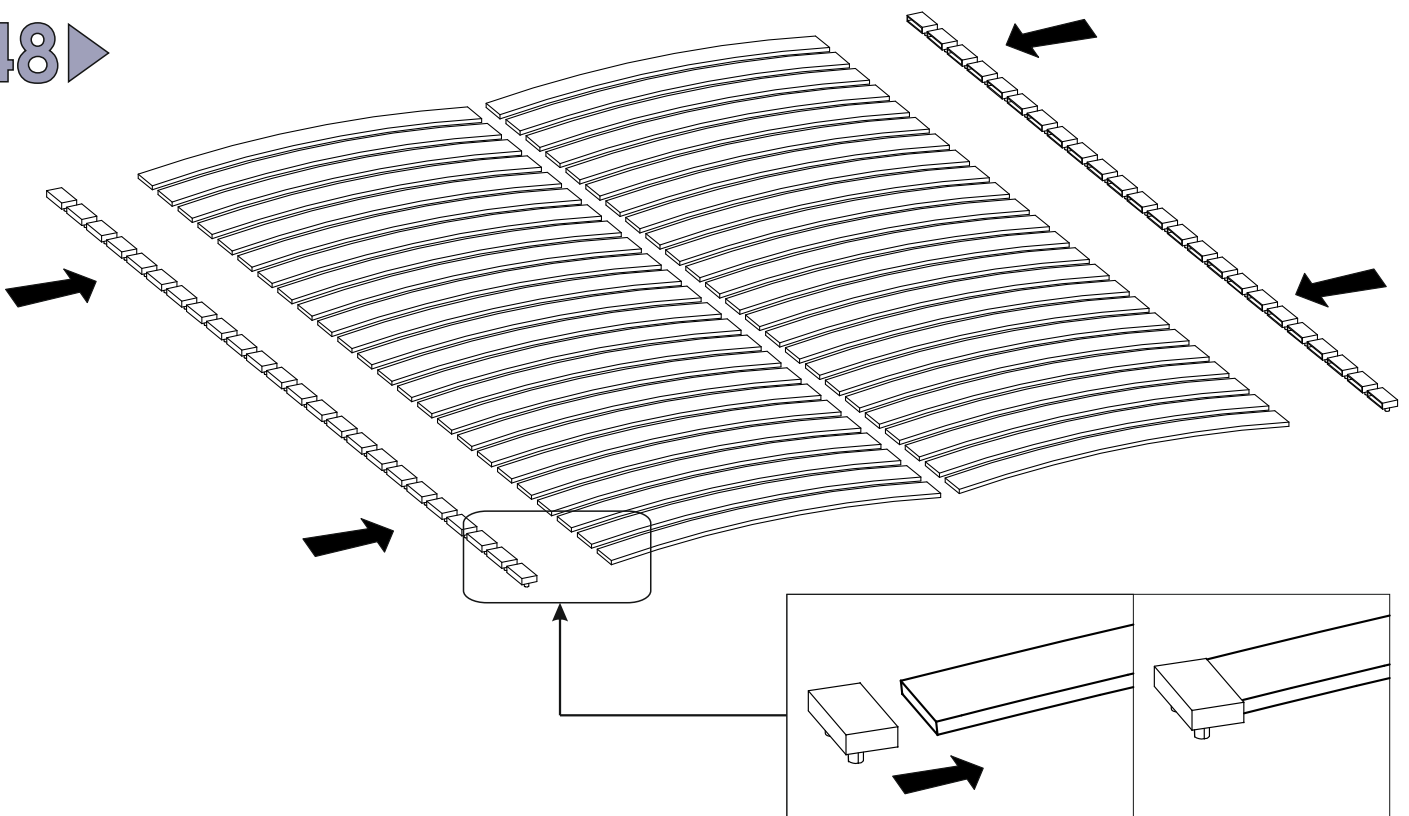
46 ▶



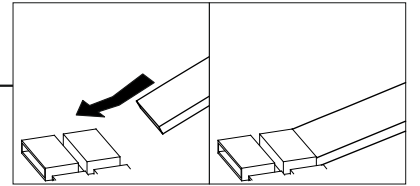
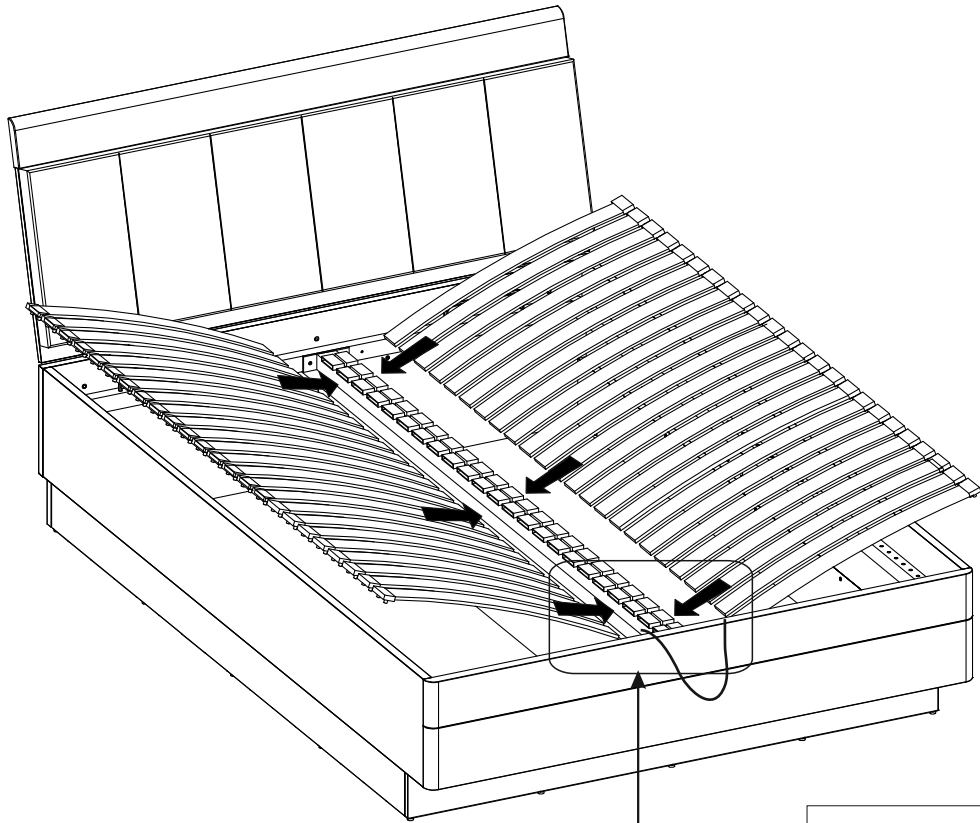
47▶



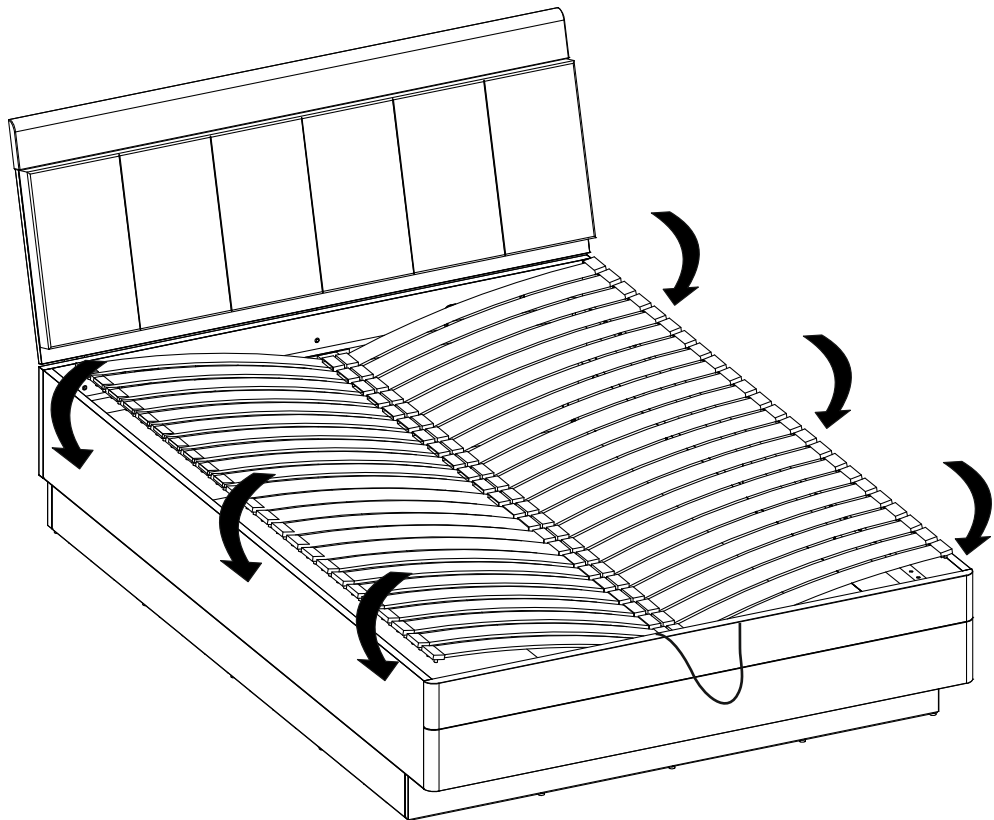
48▶

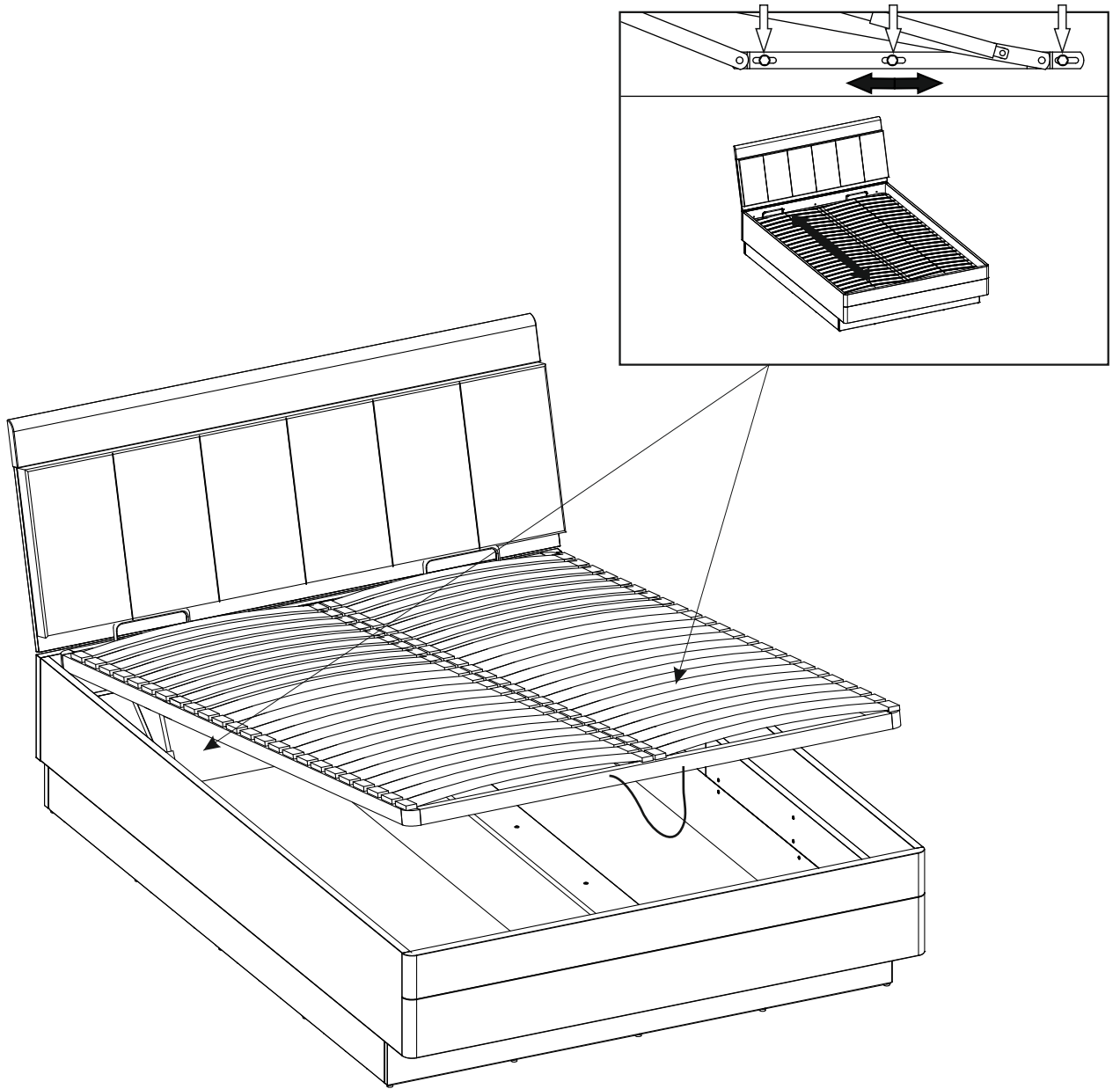


49 ▶



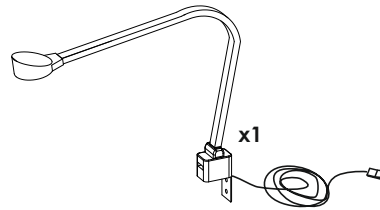
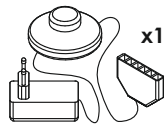
50 ▶





OPTION II

L11



x2

52 ▶

