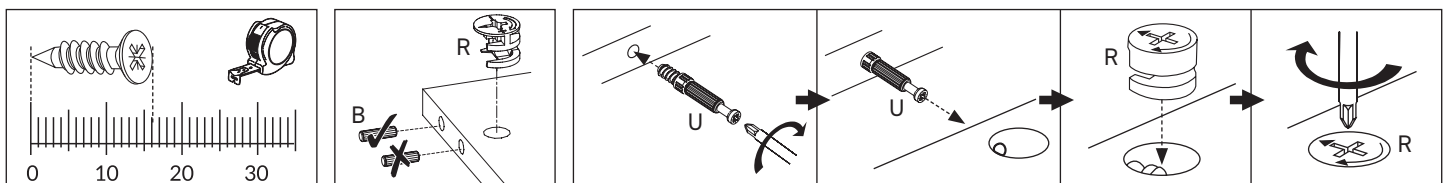
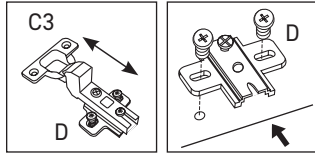


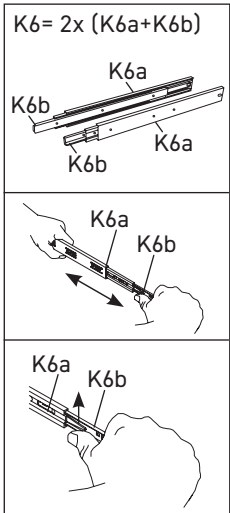
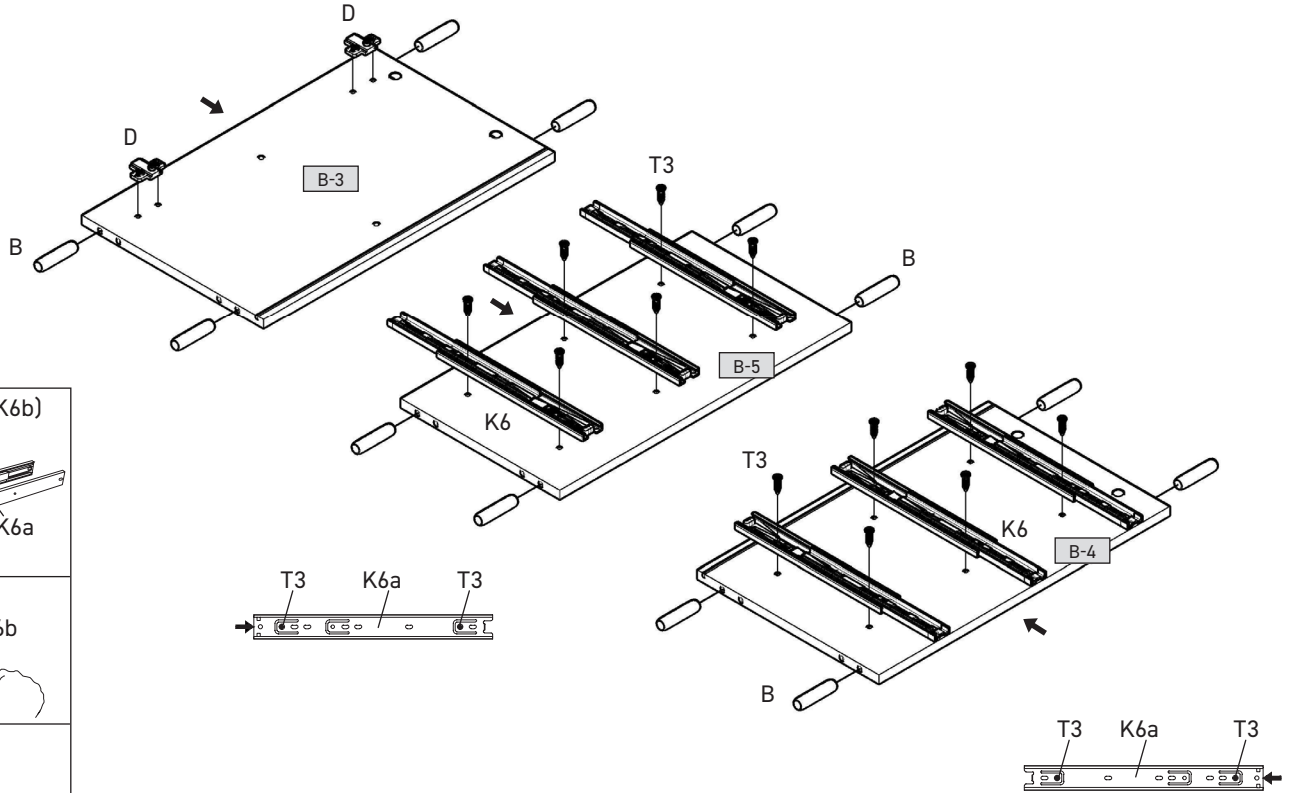
B-1	1373	395	16	x 1	1/2
B-2	1373	395	16	x 1	1/2
B-3	632	394	16	x 1	2/2
B-4	632	394	16	x 1	2/2
B-5	632	345	16	x 1	2/2
B-6	492	335	16	x 1	1/2
B-7	496	626	16	x 1	2/2
B-8	24	626	16	x 7	1/2
B-9	836	206	16	x 3	1/2
B-10	300	120	16	x 3	1/2
B-11	300	120	16	x 3	1/2
B-12	776	120	16	x 3	1/2
B-13	806	306	3	x 3	1/2
B-14	1354	646	3	x 1	1/2



1



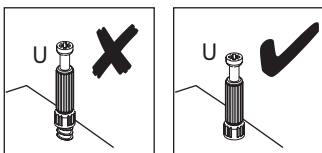
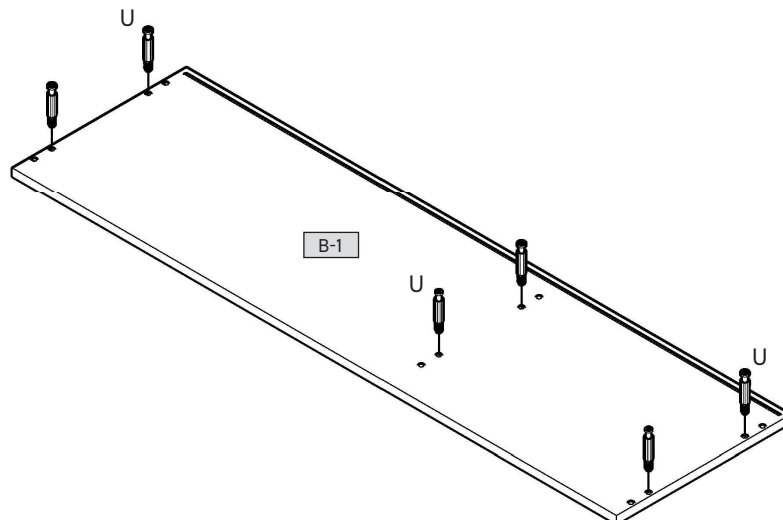
B	x12	C3+D	x2	K6	x3	T3	x12
	8x32mm		W		L=300mm		5x9mm



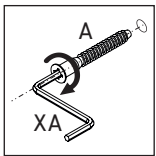
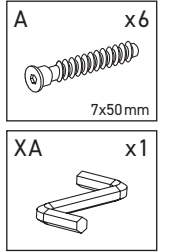
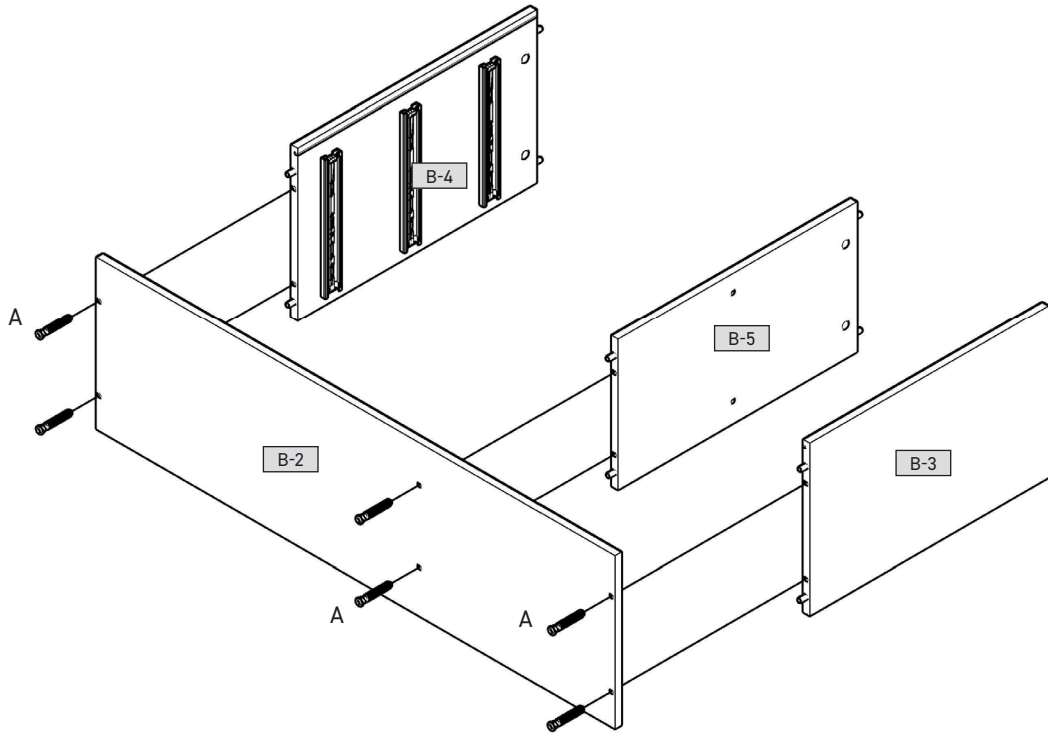
2



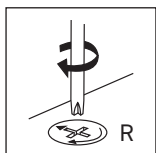
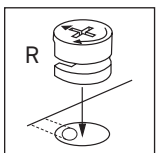
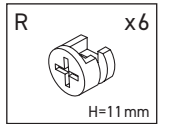
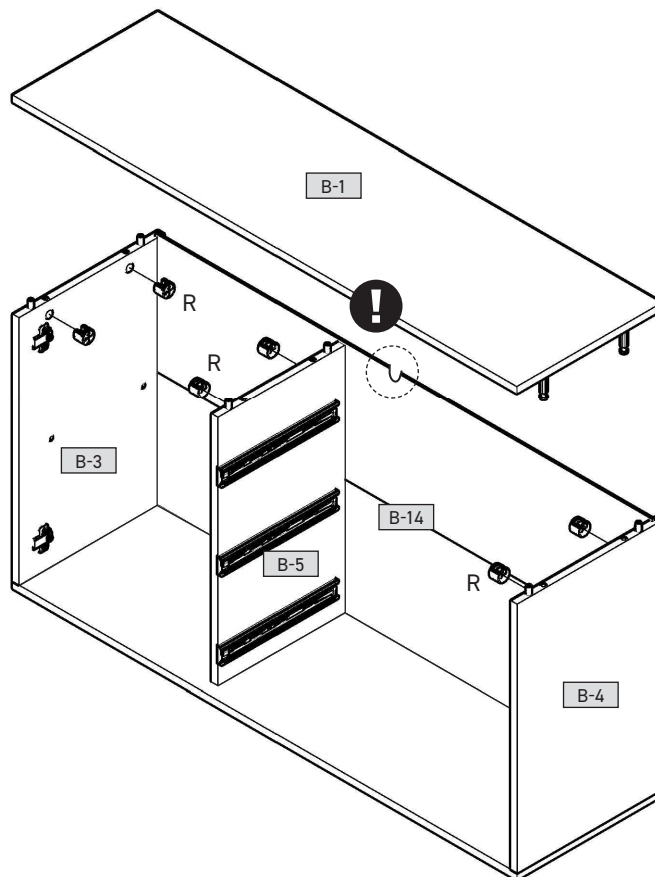
U	x6
	L=24,3mm



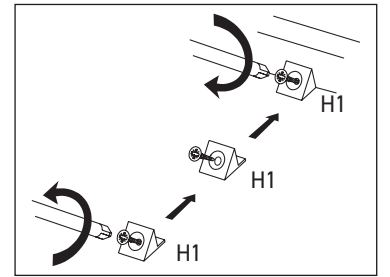
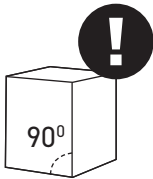
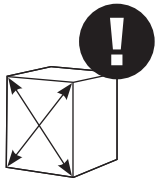
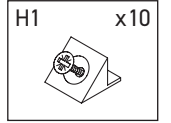
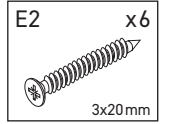
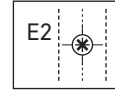
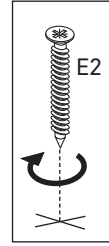
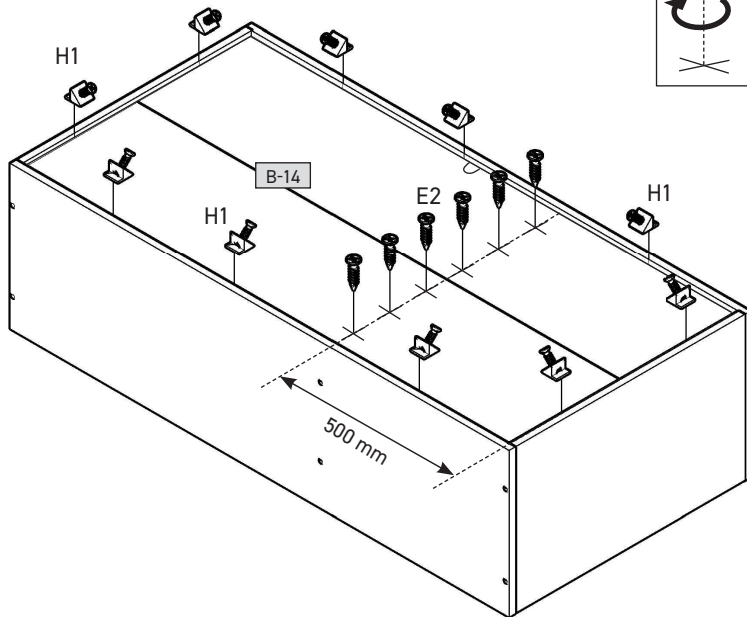
3



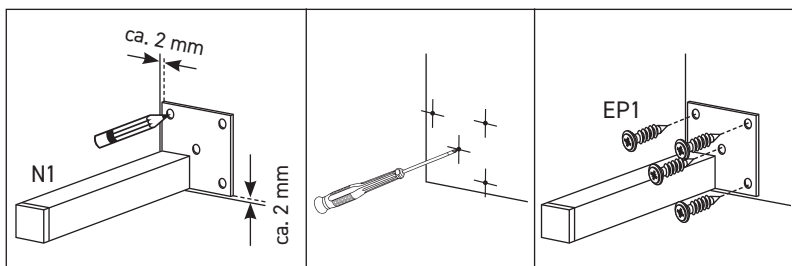
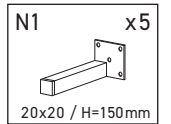
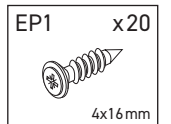
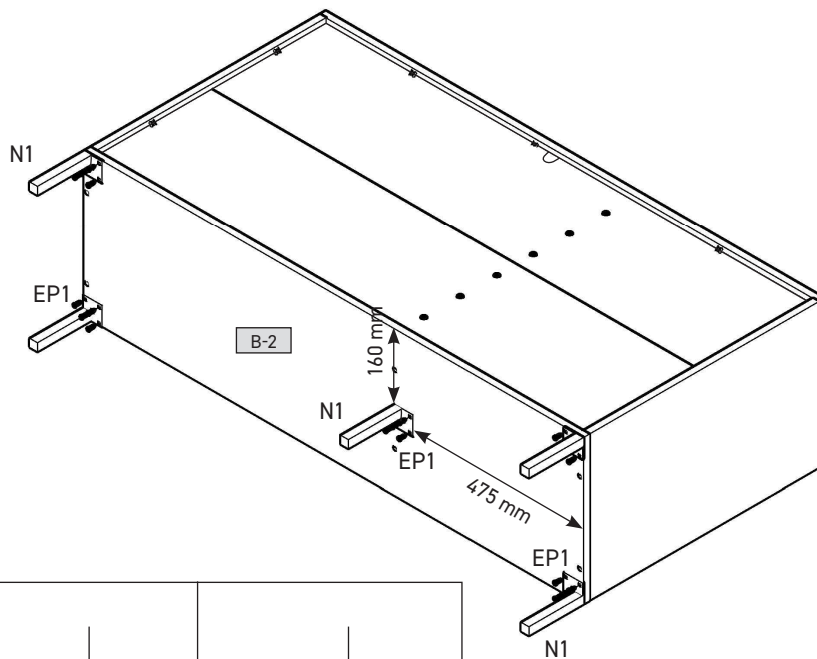
4



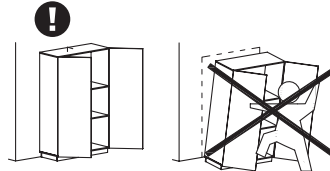
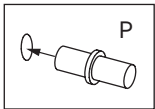
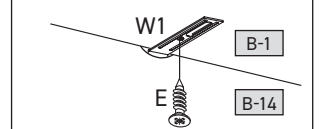
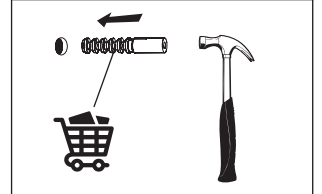
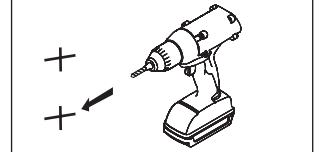
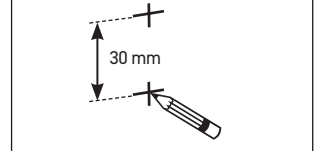
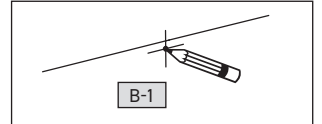
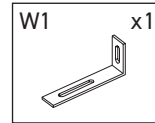
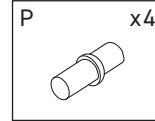
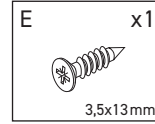
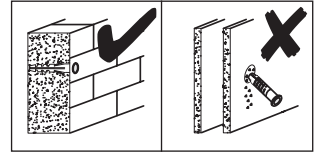
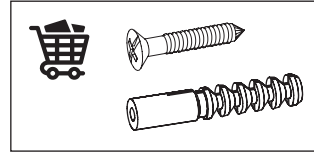
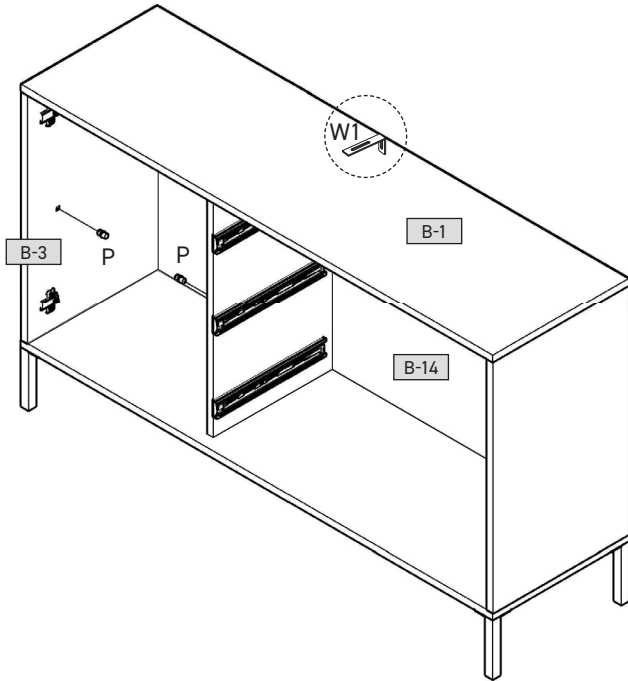
5



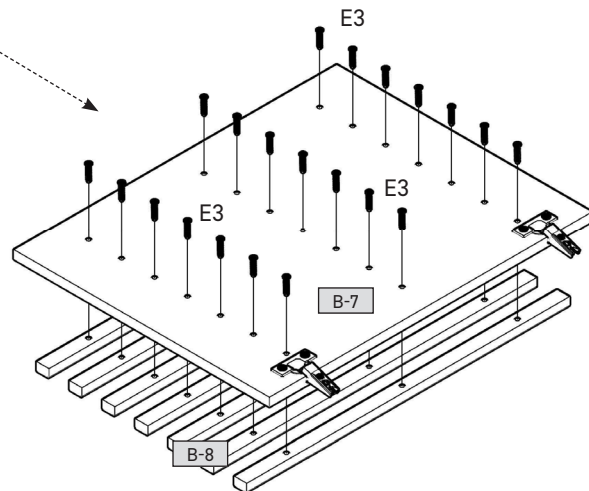
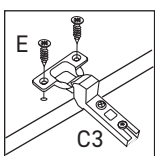
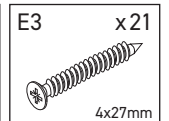
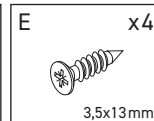
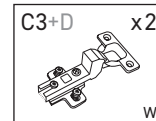
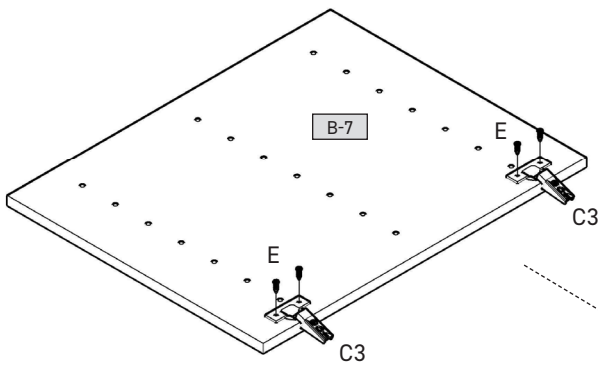
6



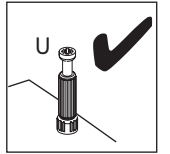
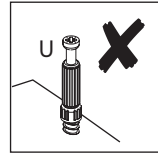
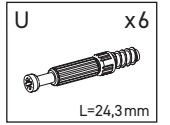
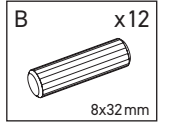
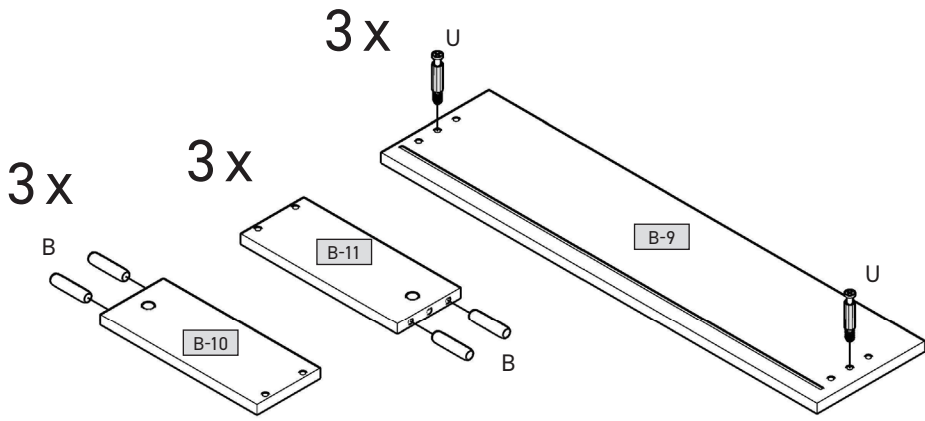
7



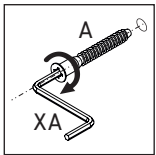
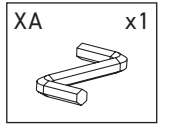
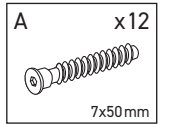
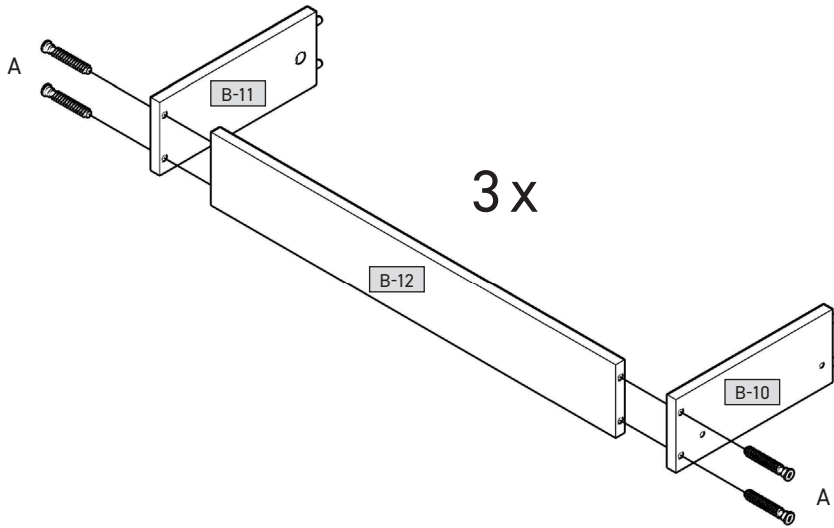
8



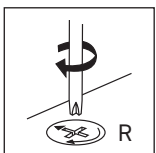
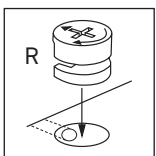
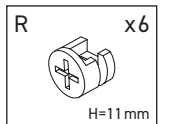
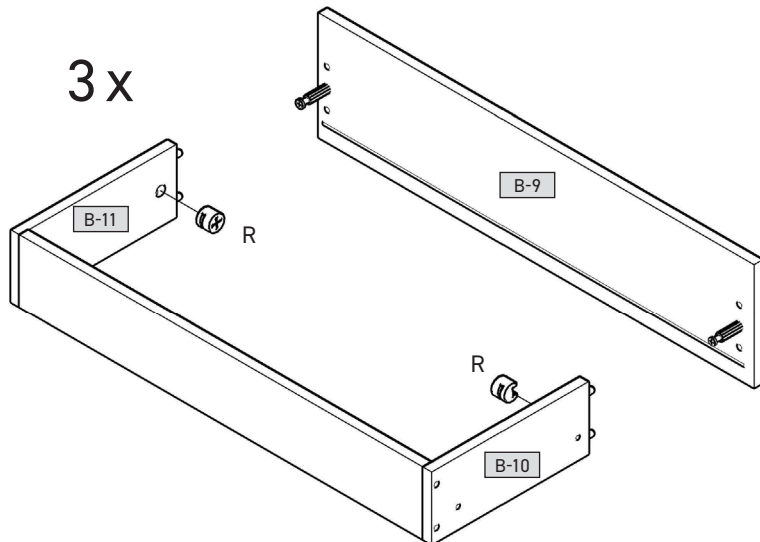
9



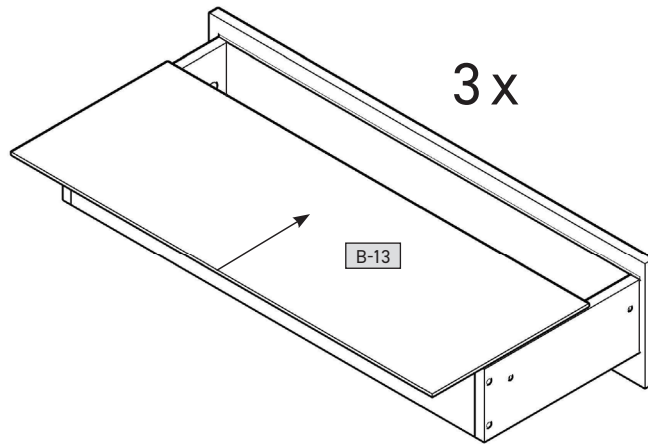
10



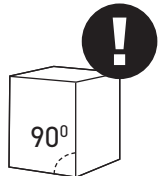
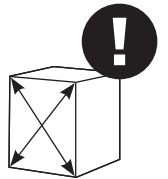
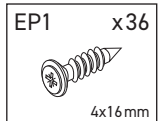
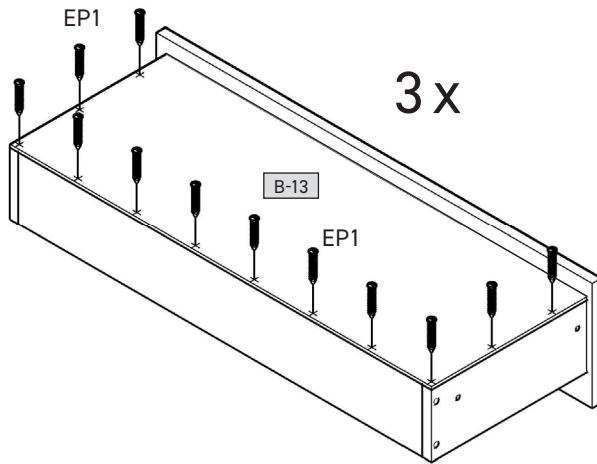
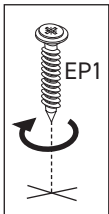
11



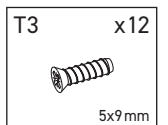
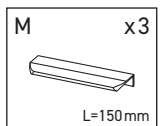
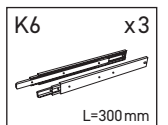
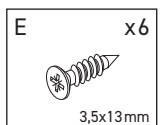
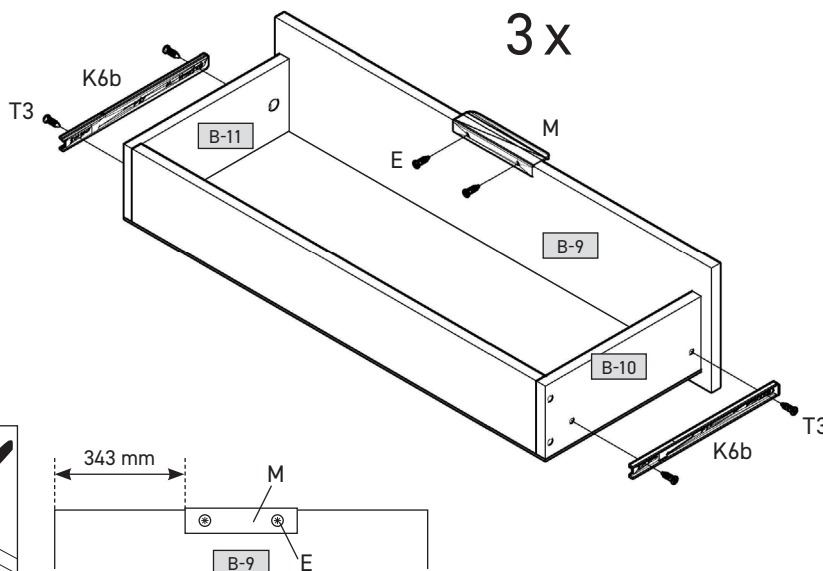
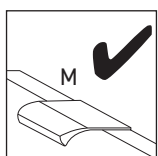
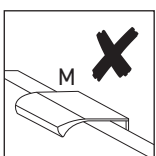
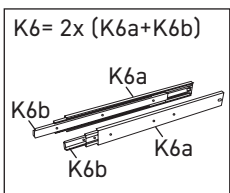
12



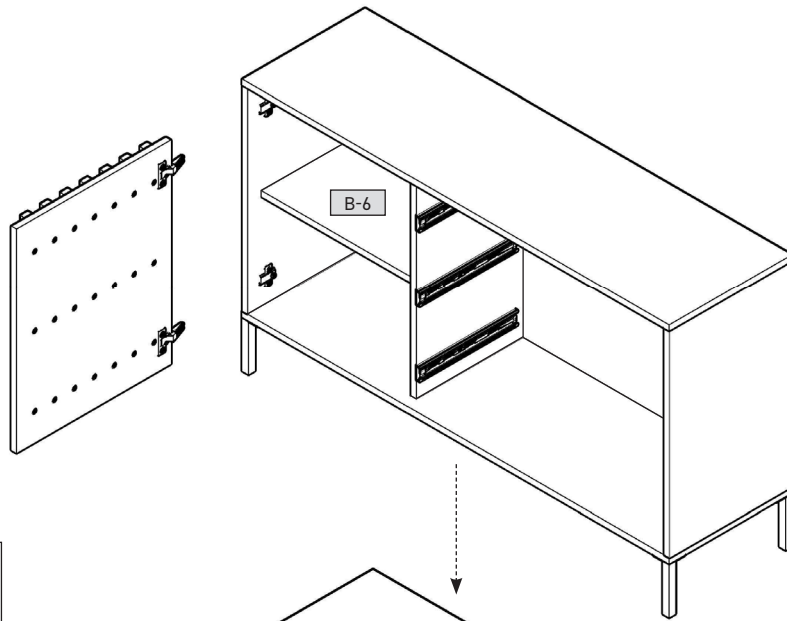
13



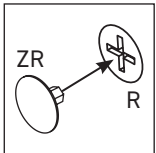
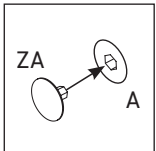
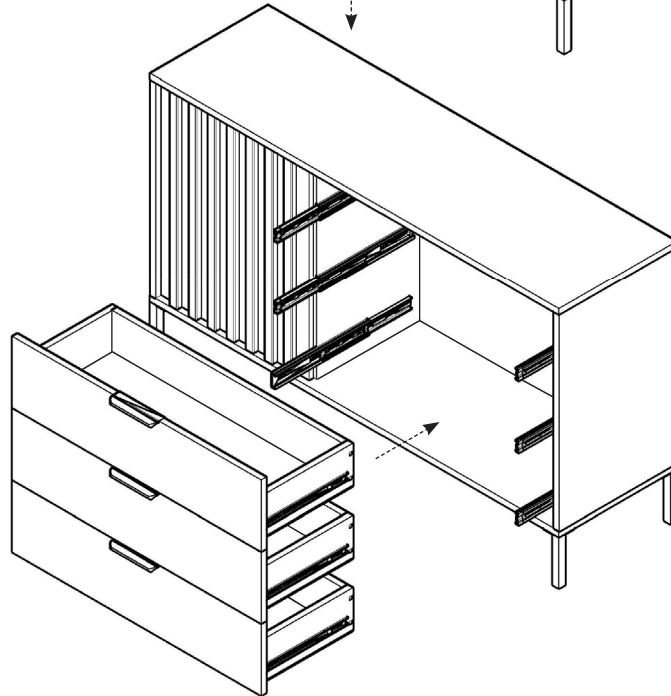
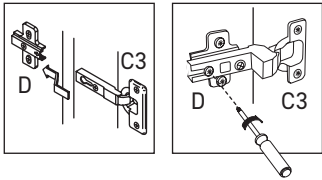
14



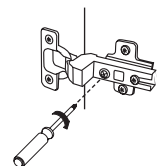
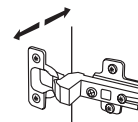
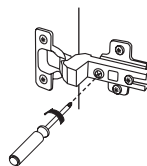
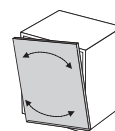
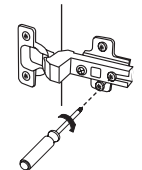
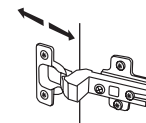
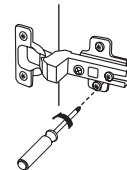
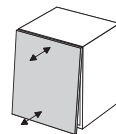
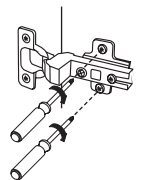
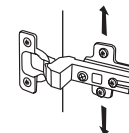
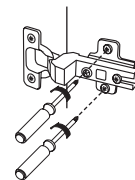
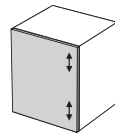
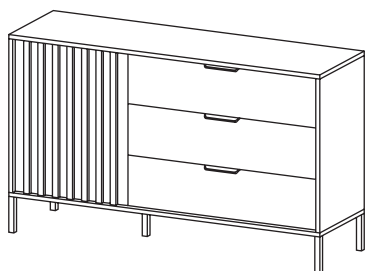
15

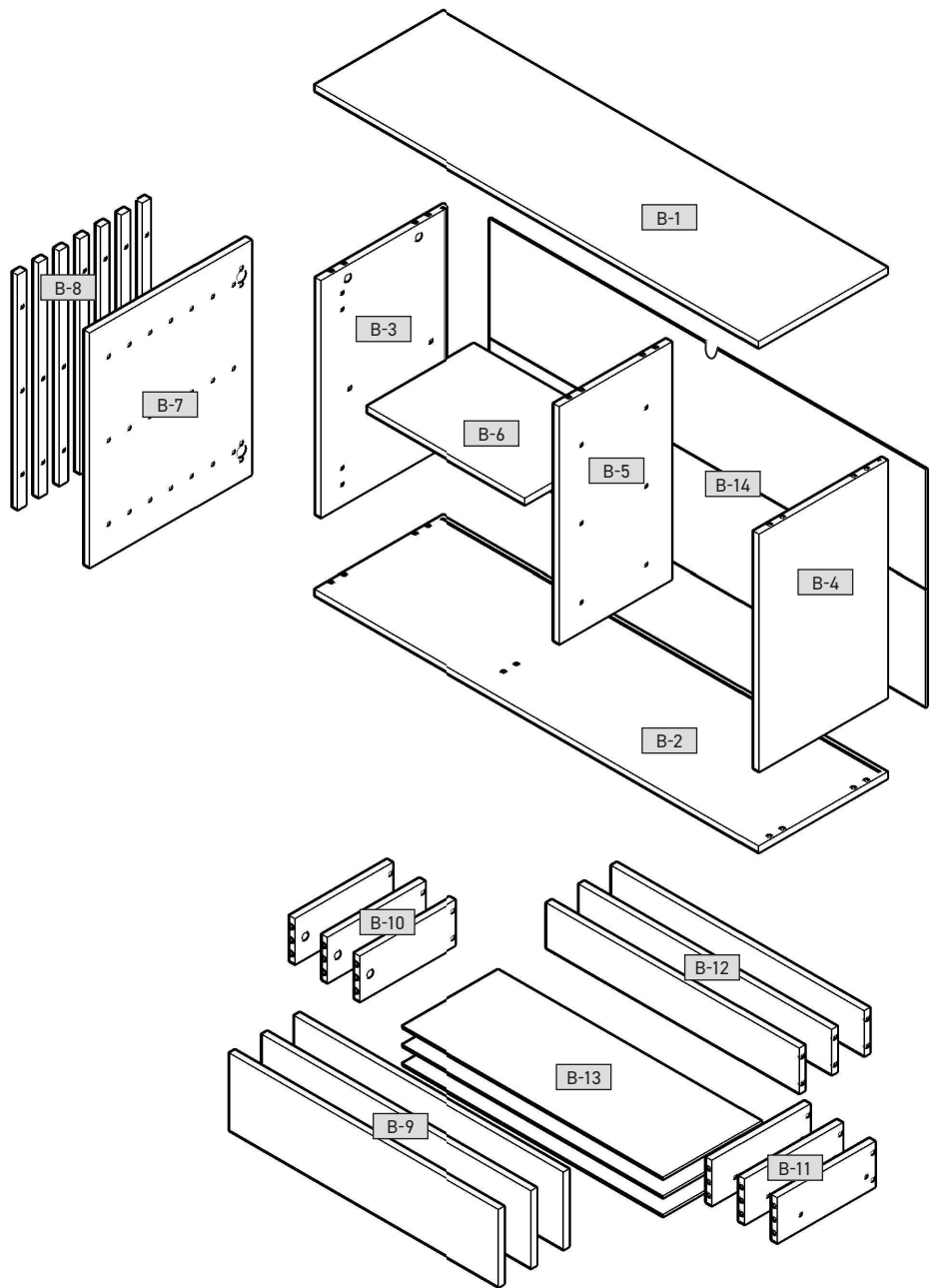
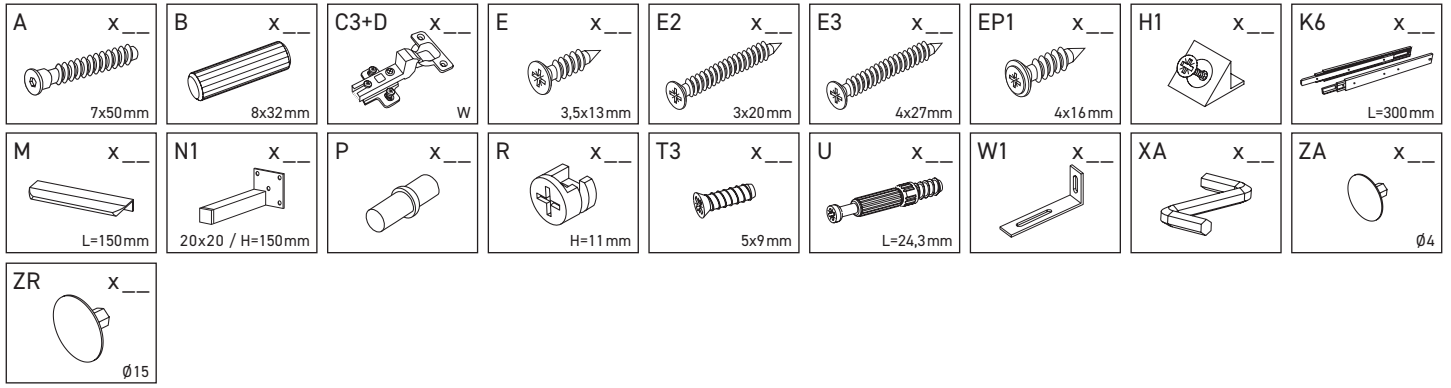


ZA	x18
	Ø4
ZR	x12
	Ø15



16





B-1	1373	395	16	x 1	1/2
B-2	1373	395	16	x 1	1/2
B-3	632	394	16	x 1	2/2
B-4	632	394	16	x 1	2/2
B-5	632	345	16	x 1	2/2
B-6	492	335	16	x 1	1/2
B-7	496	626	16	x 1	2/2
B-8	24	626	16	x 7	1/2
B-9	836	206	16	x 3	1/2
B-10	300	120	16	x 3	1/2
B-11	300	120	16	x 3	1/2
B-12	776	120	16	x 3	1/2
B-13	806	306	3	x 3	1/2
B-14	1354	646	3	x 1	1/2

