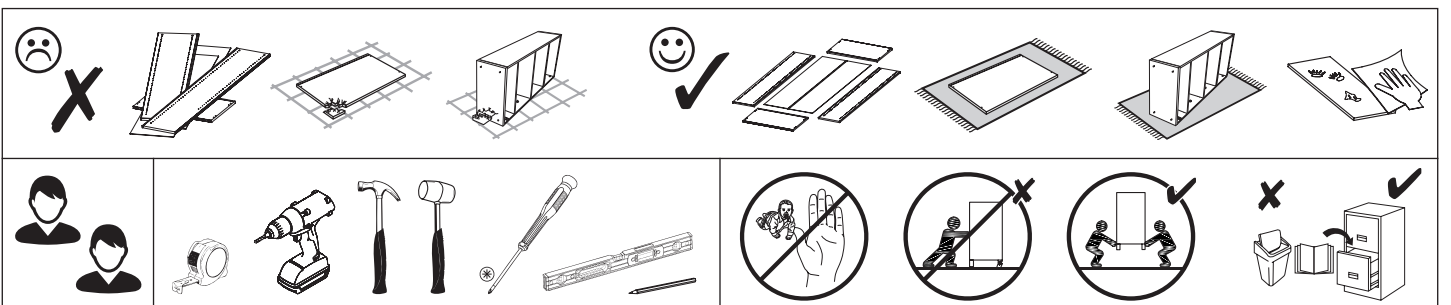
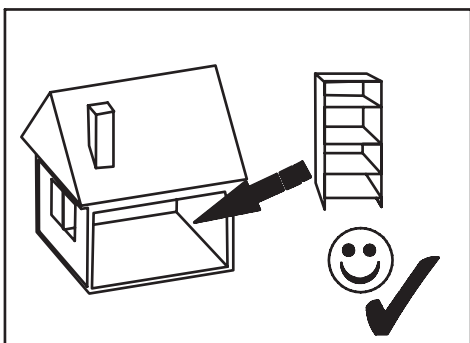
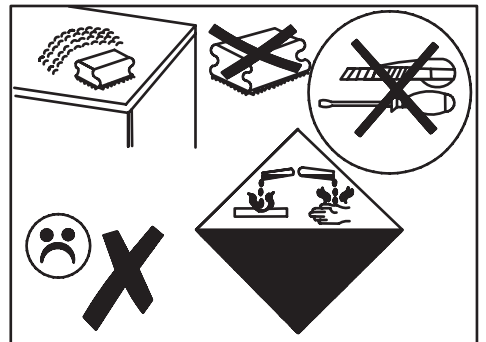
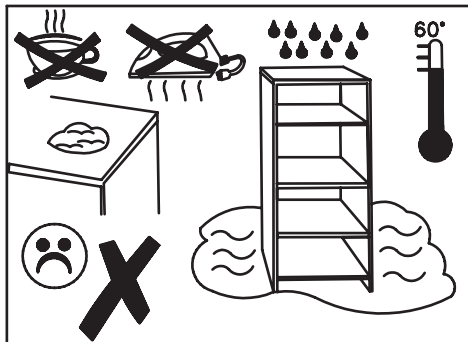
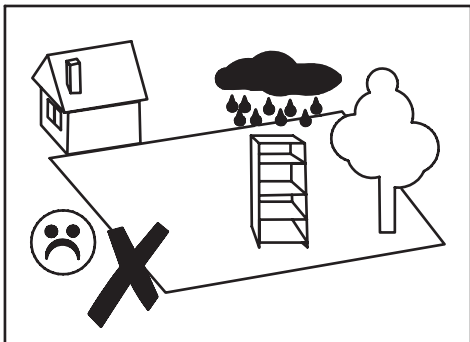
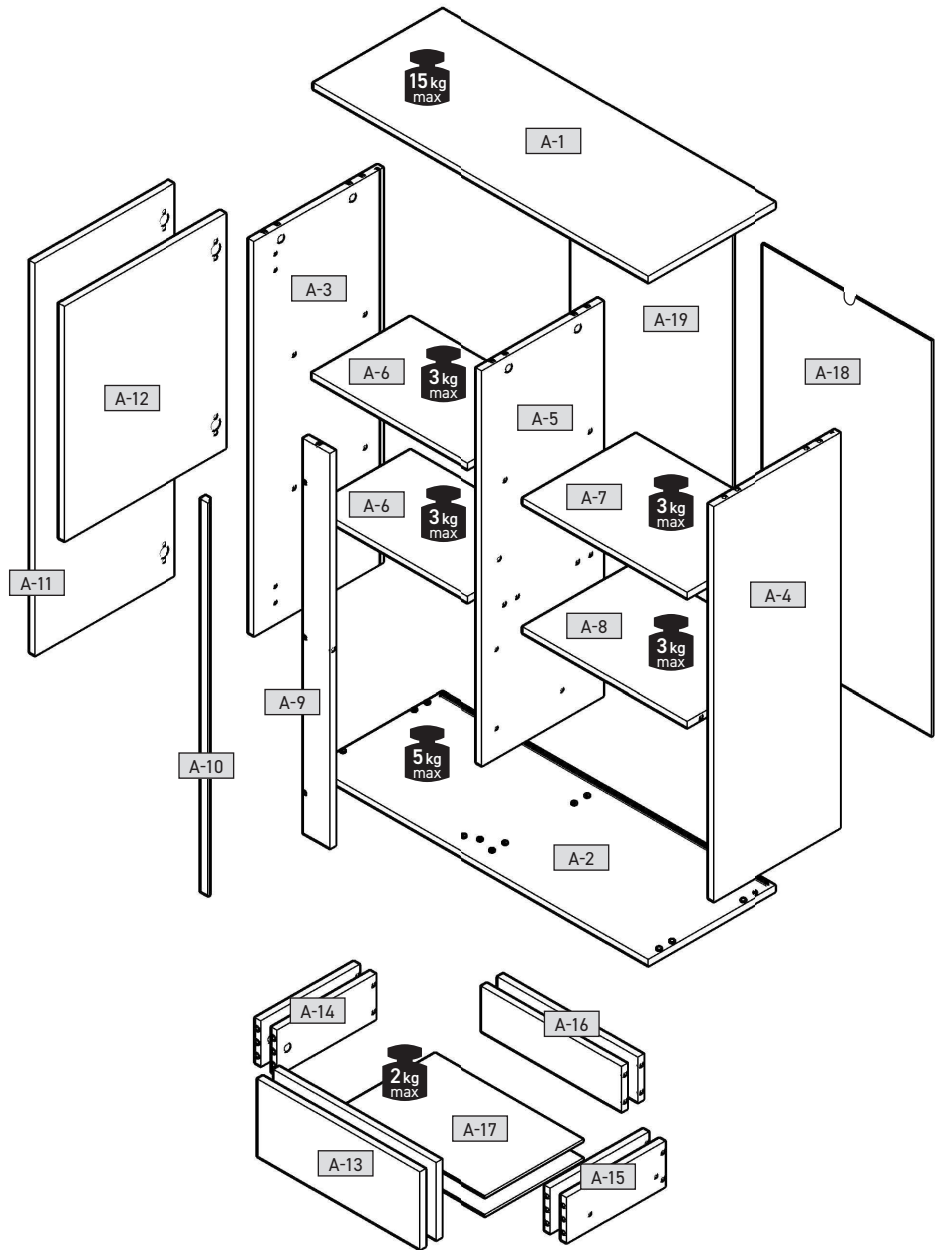
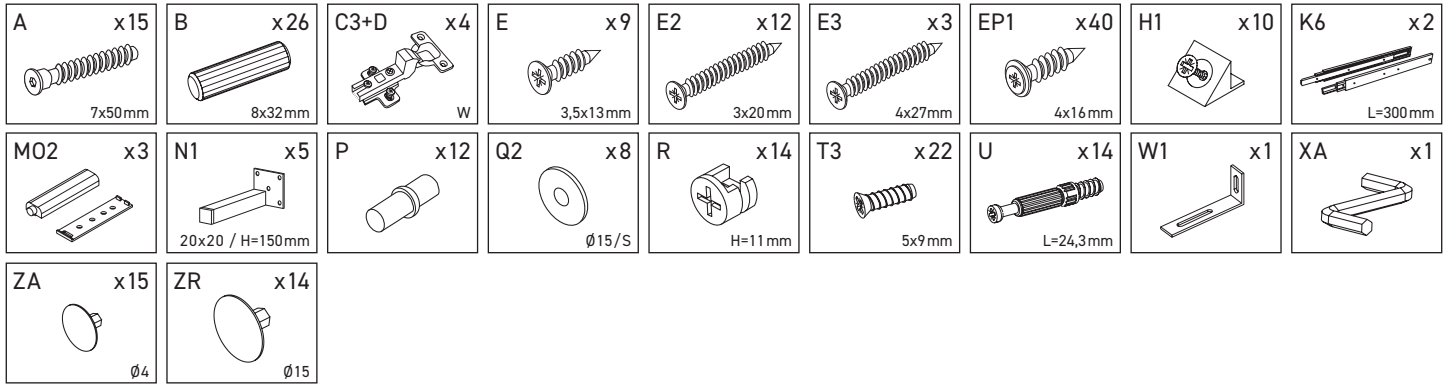


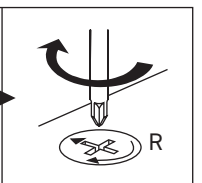
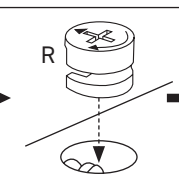
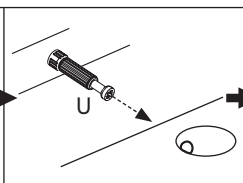
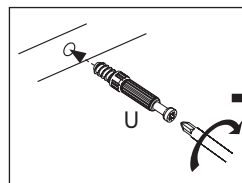
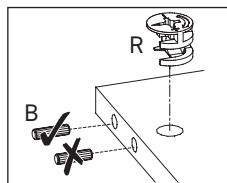
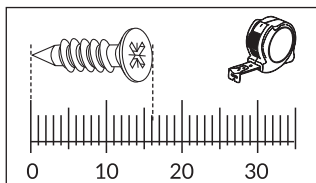
2023-04-26







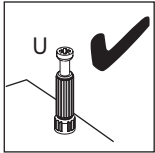
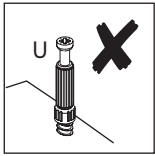
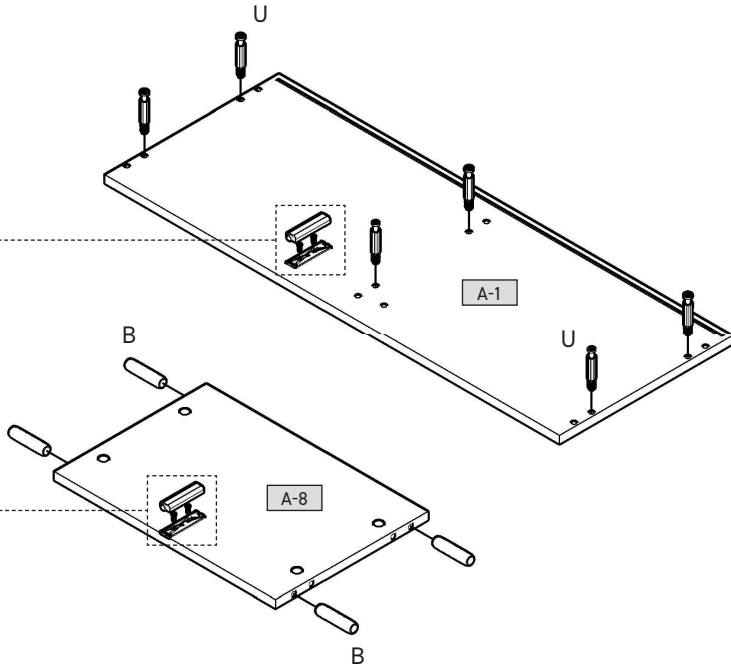
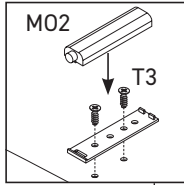
A-1	1033	395	16	x 1	1/2
A-2	1033	395	16	x 1	1/2
A-3	1052	394	16	x 1	1/2
A-4	1052	394	16	x 1	1/2
A-5	1052	372	16	x 1	1/2
A-6	482	300	16	x 2	2/2
A-7	502	345	16	x 1	2/2
A-8	502	345	16	x 1	1/2
A-9	1052	90	16	x 1	2/2
A-10	1048	24	16	x 1	1/2
A-11	426	1046	16	x 1	2/2
A-12	496	626	16	x 1	2/2
A-13	496	206	16	x 2	2/2
A-14	300	120	16	x 2	1/2
A-15	300	120	16	x 2	1/2
A-16	446	120	16	x 2	1/2
A-17	476	306	3	x 2	2/2
A-18	518	1066	3	x 1	2/2
A-19	497	1066	3	x 1	2/2



1



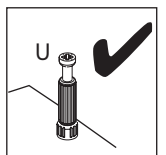
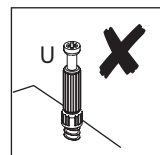
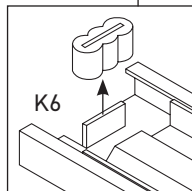
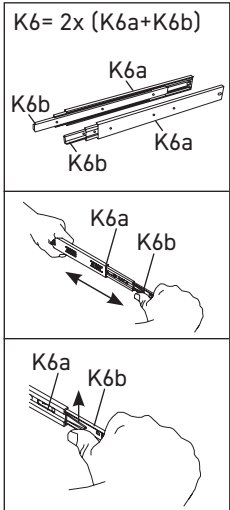
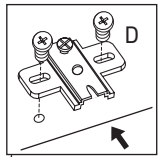
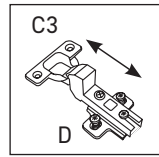
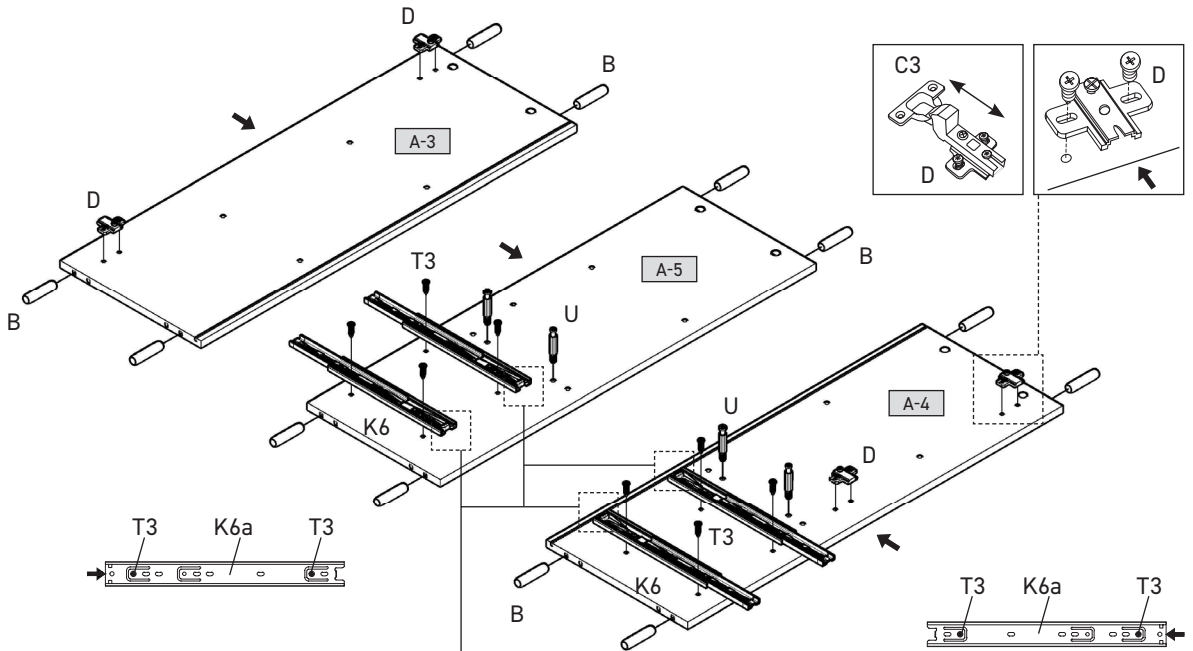
B	x4	M02	x2	T3	x4	U	x6
8x32mm				5x9mm		L=24,3mm	



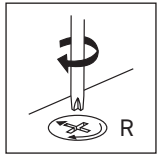
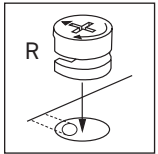
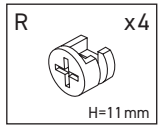
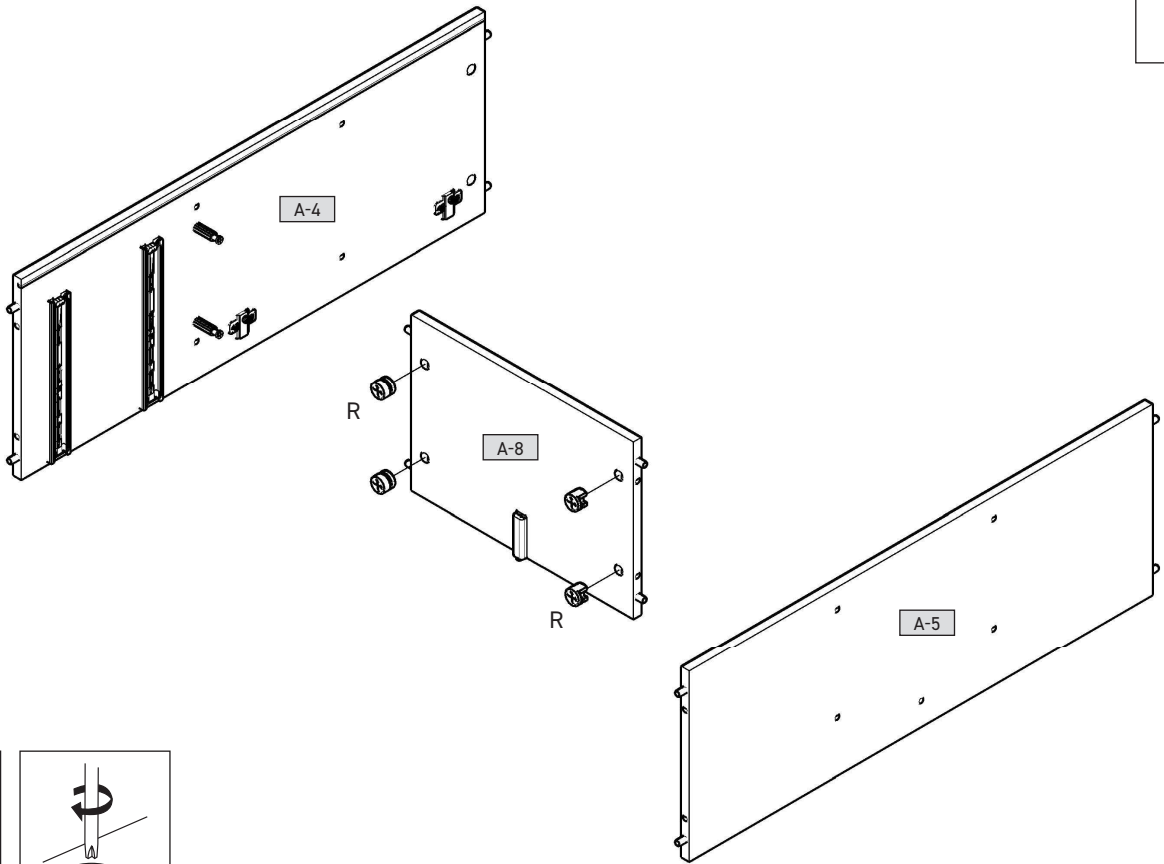
2



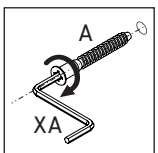
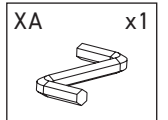
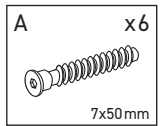
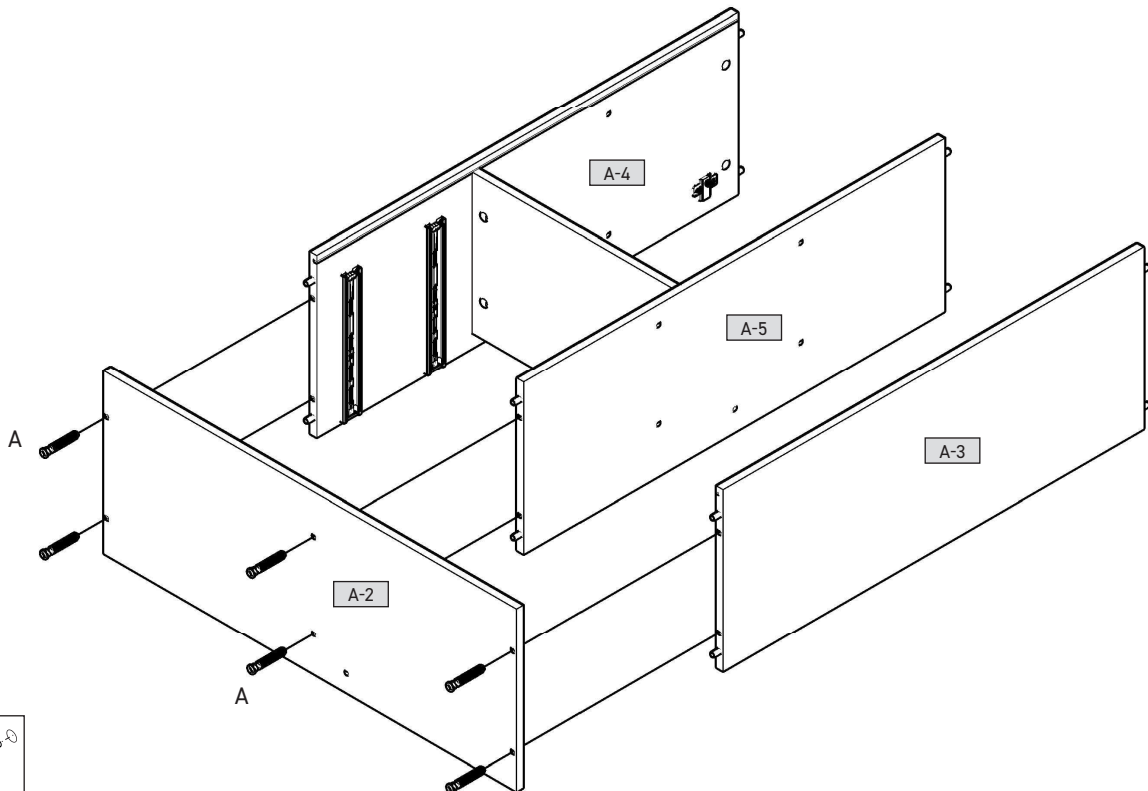
B	x12	C3+D	x4	K6	x2	T3	x8	U	x4
8x32mm		W		L=300mm		5x9mm		L=24,3mm	



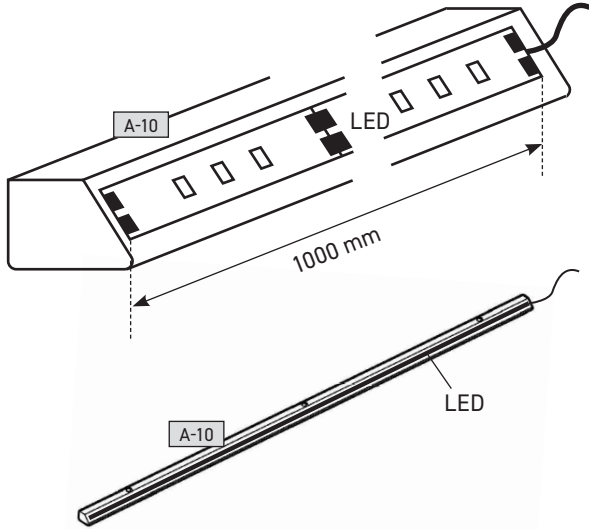
3



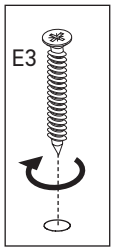
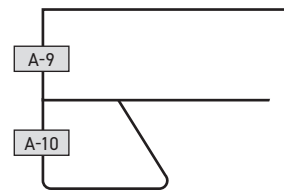
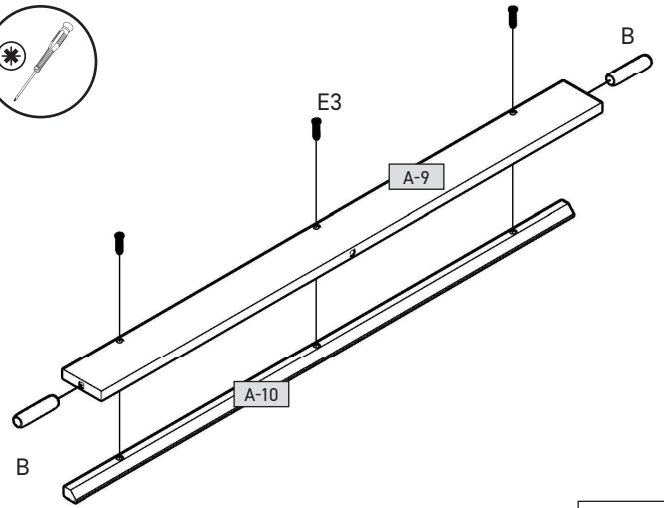
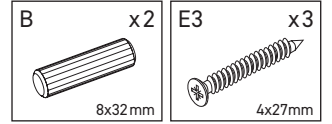
4



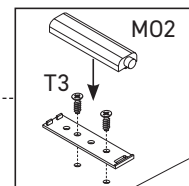
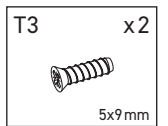
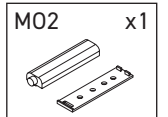
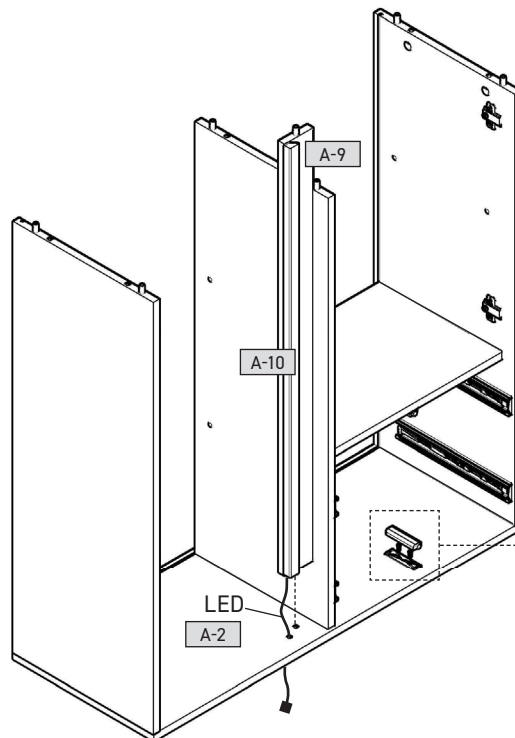
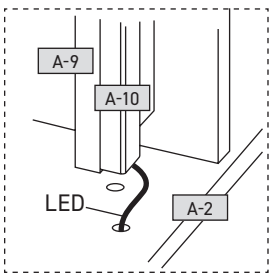
LED



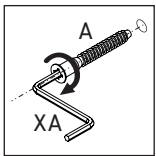
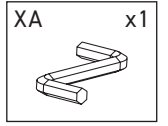
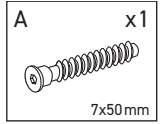
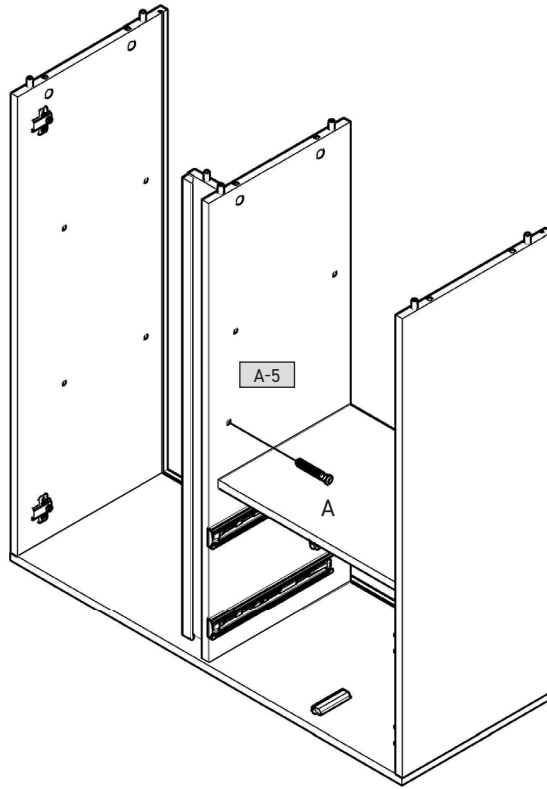
5



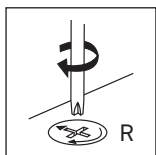
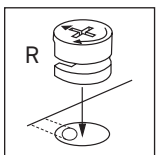
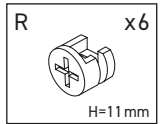
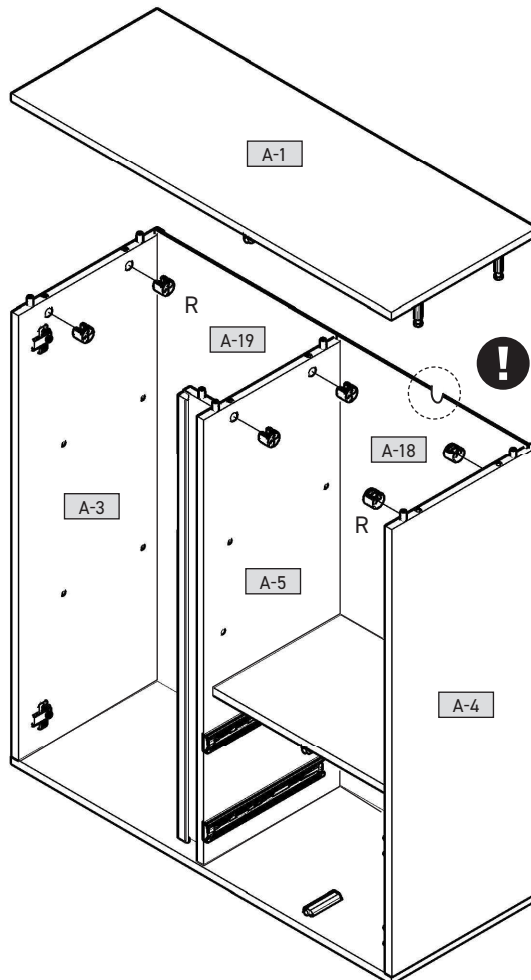
6



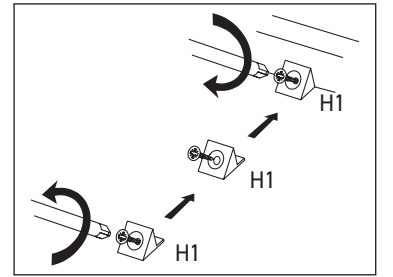
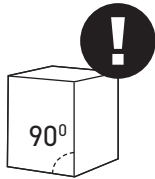
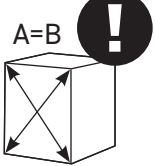
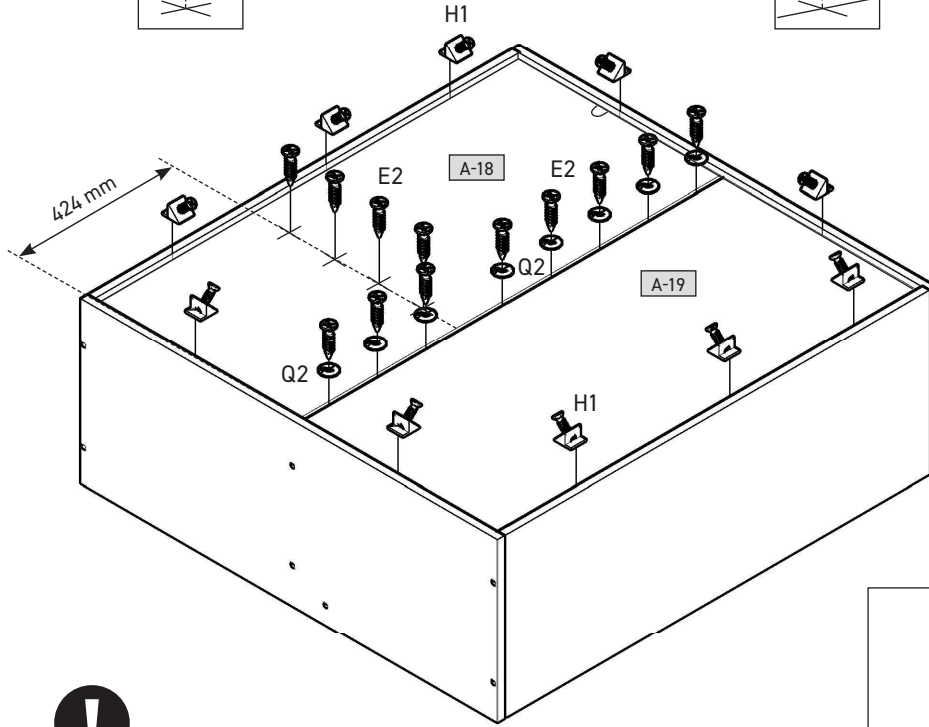
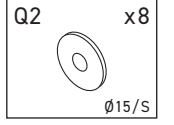
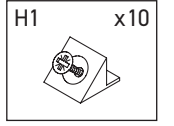
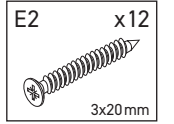
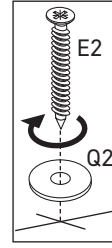
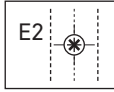
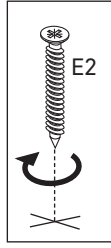
7



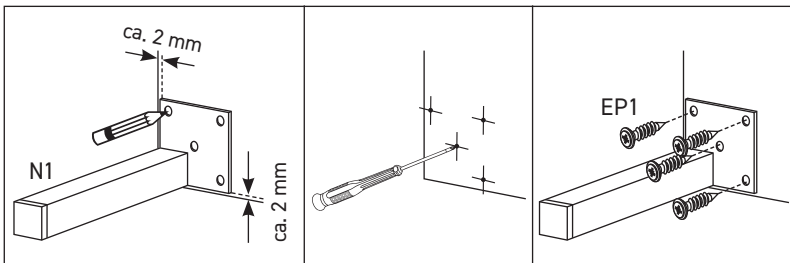
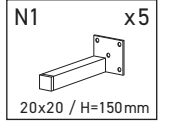
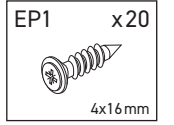
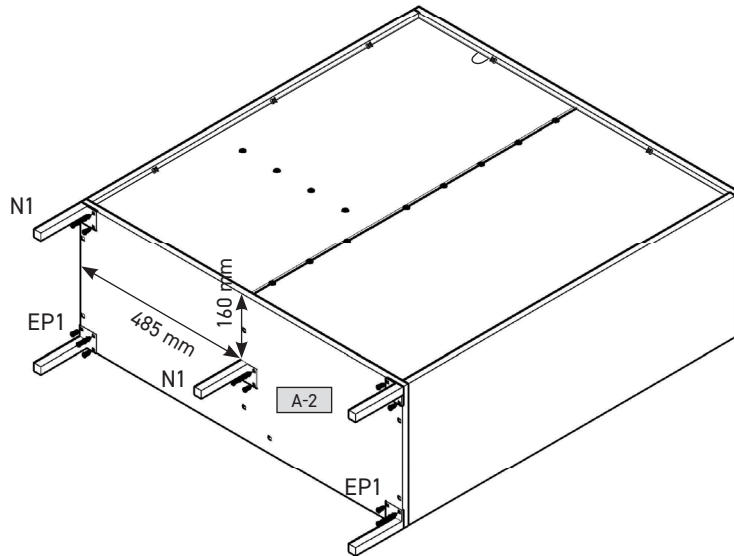
8



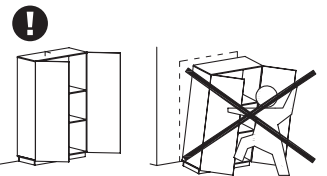
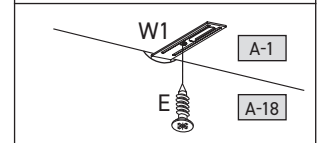
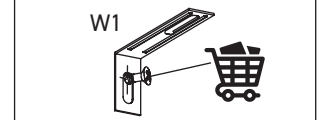
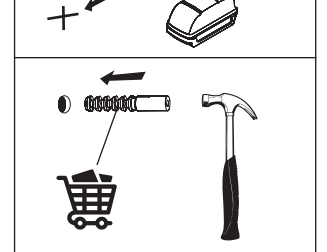
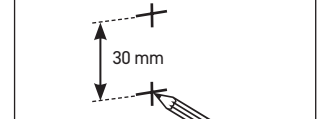
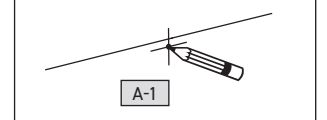
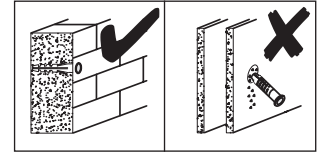
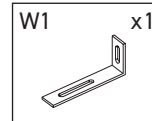
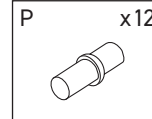
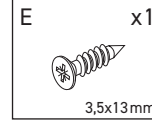
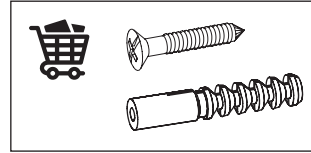
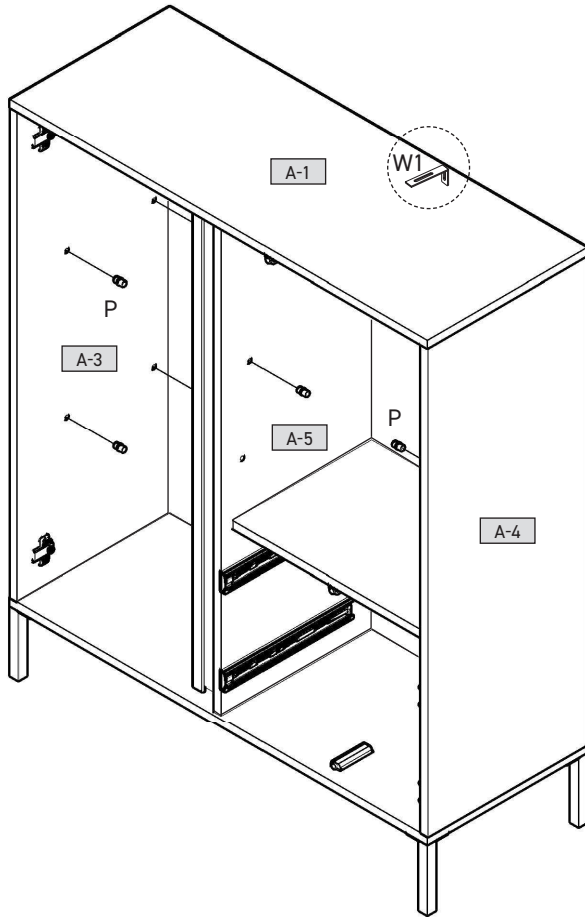
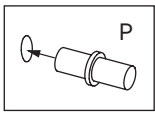
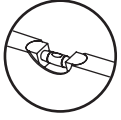
9



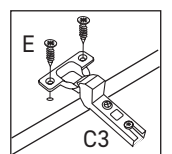
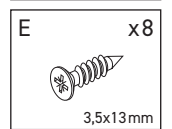
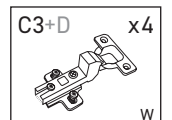
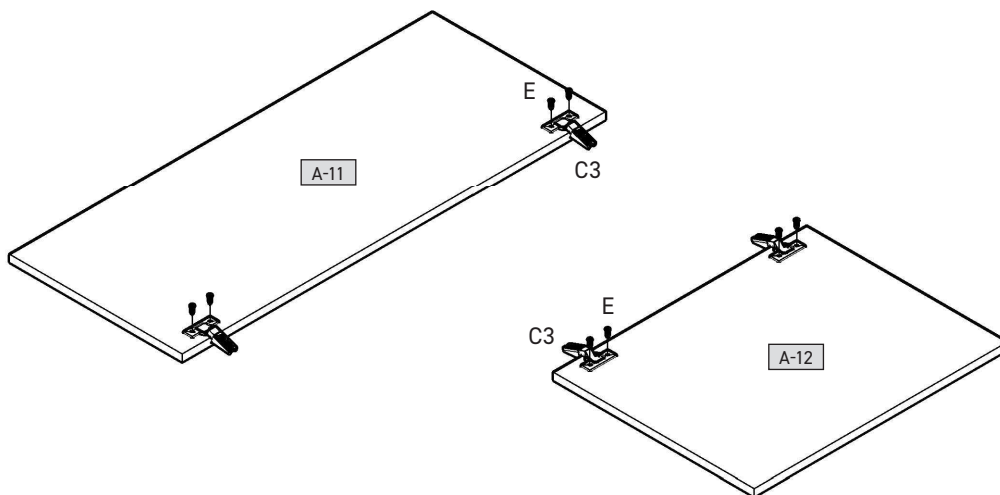
10



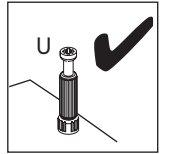
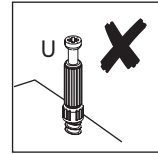
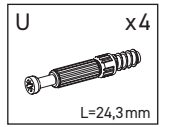
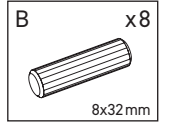
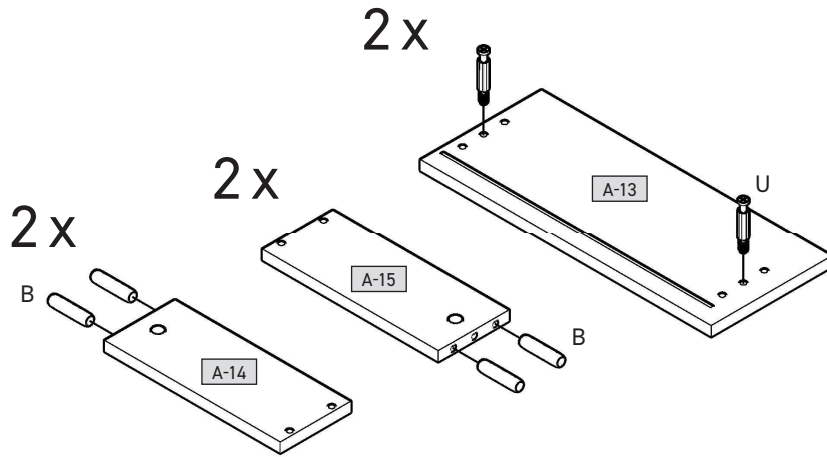
11



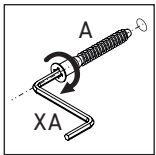
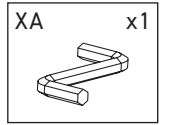
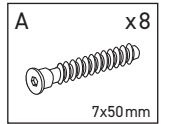
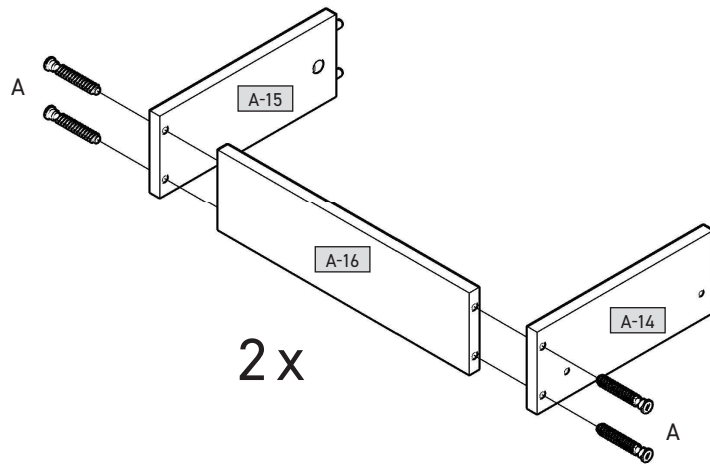
12



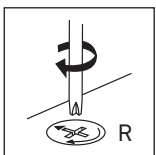
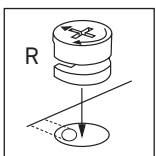
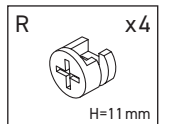
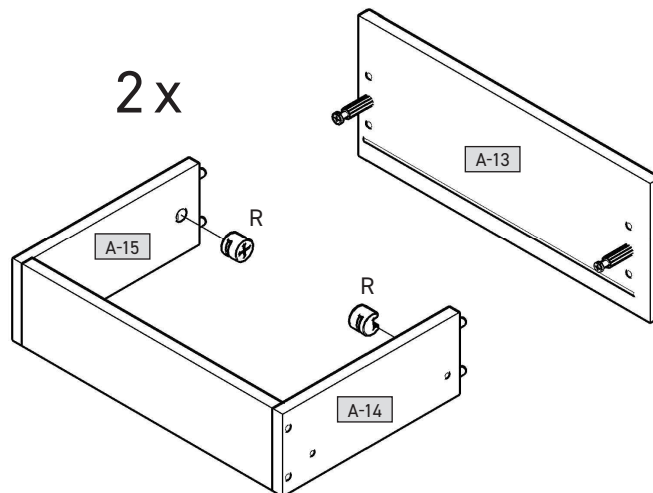
13



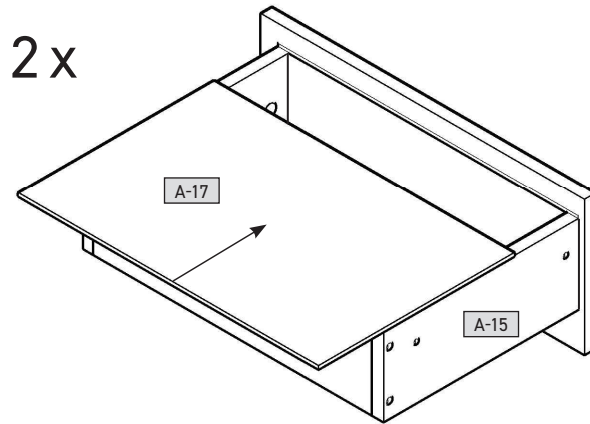
14



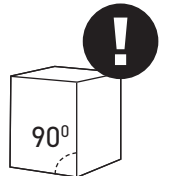
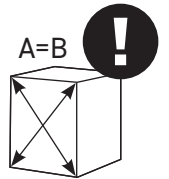
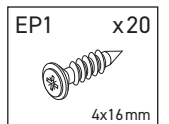
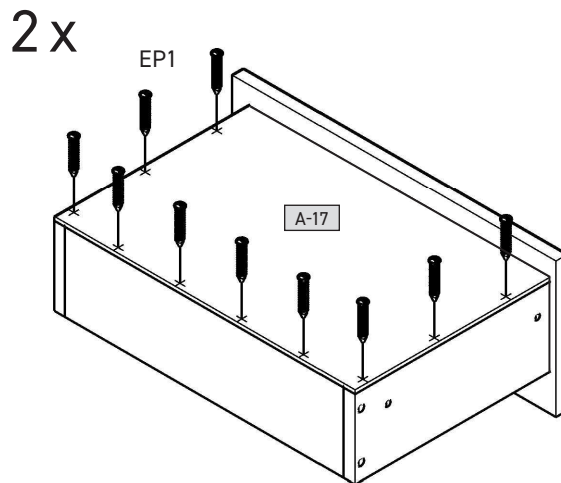
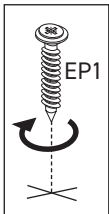
15



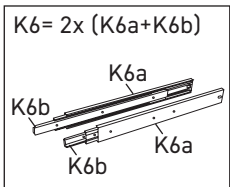
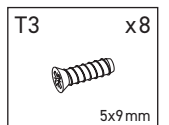
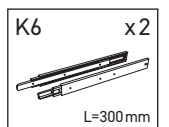
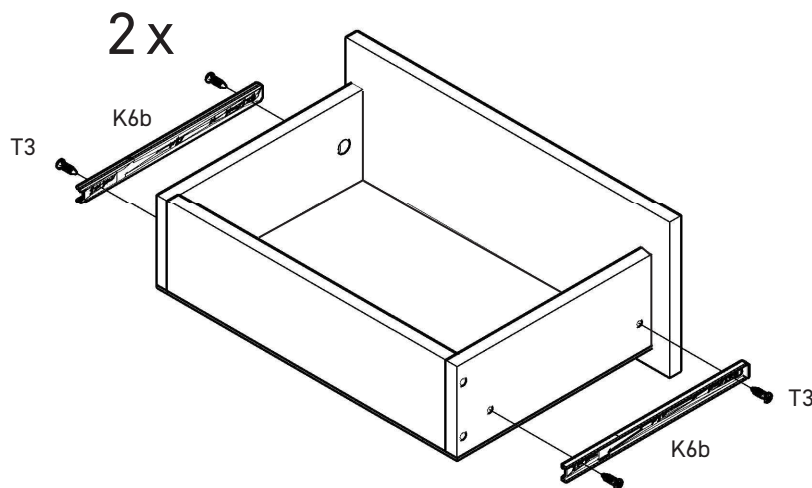
16

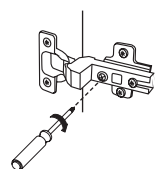
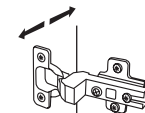
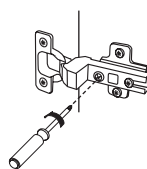
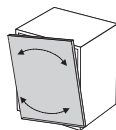
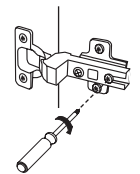
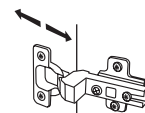
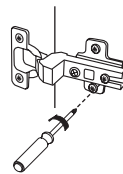
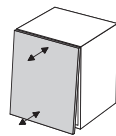
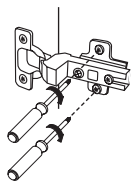
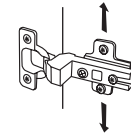
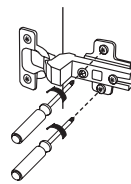
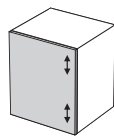
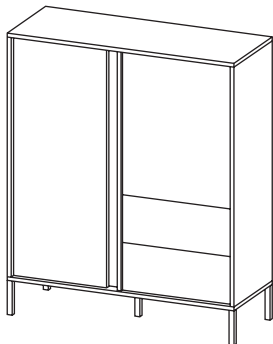
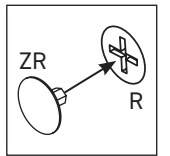
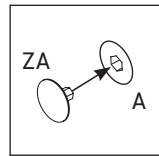
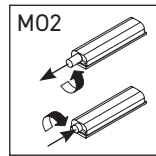
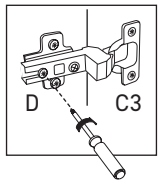
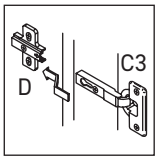
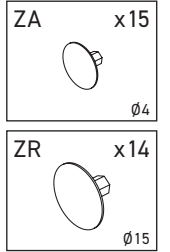
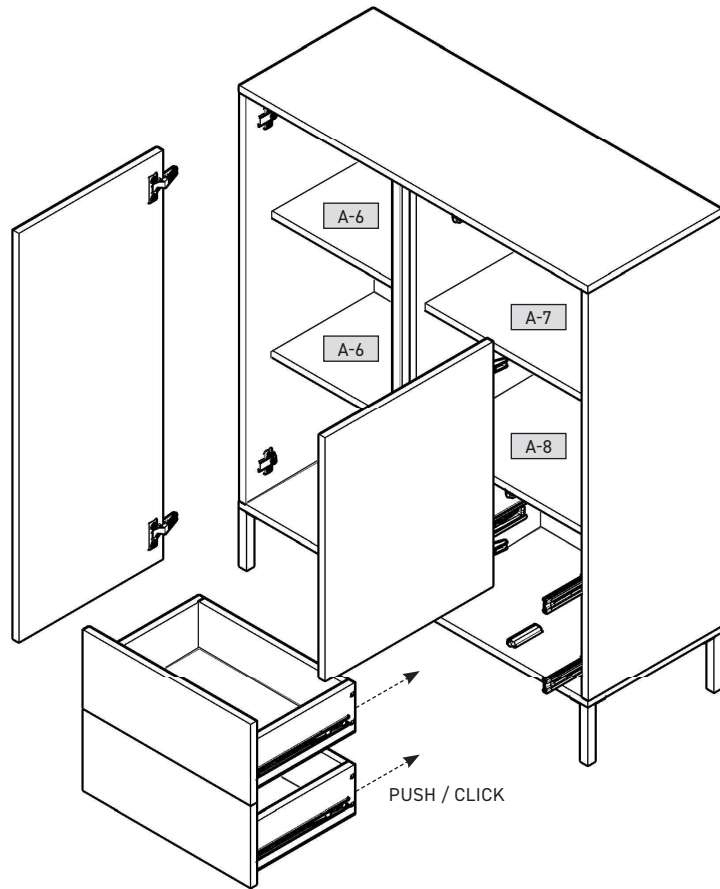


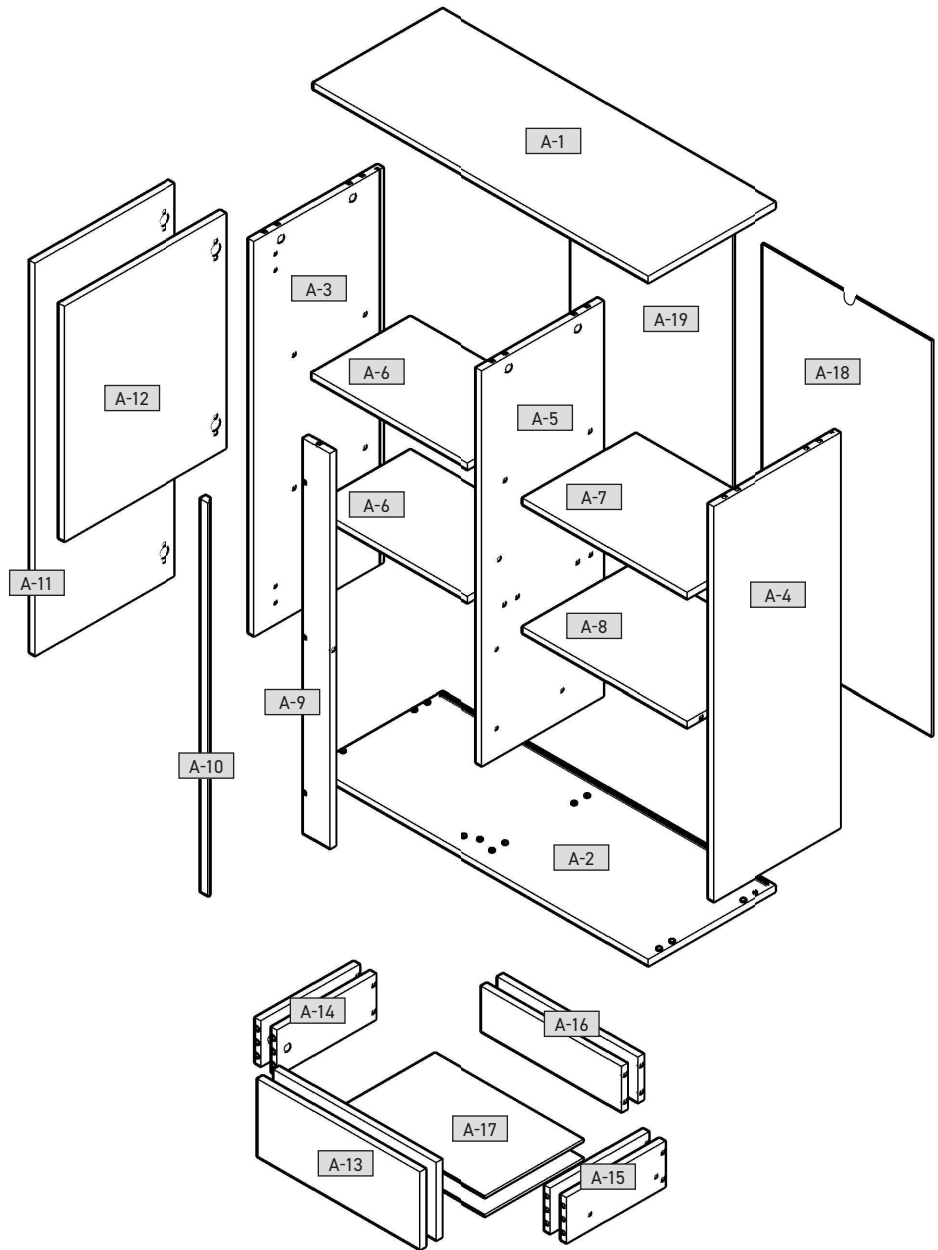
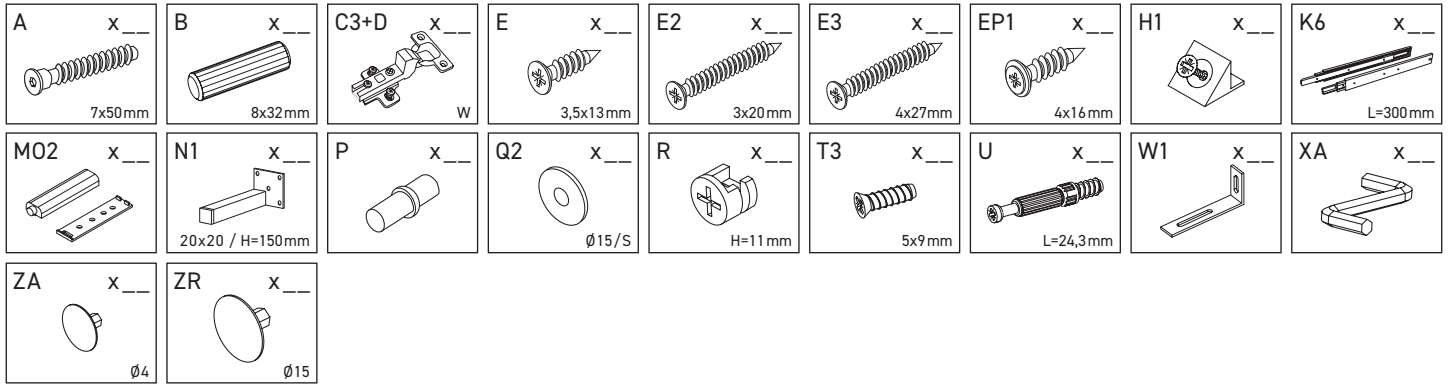
17



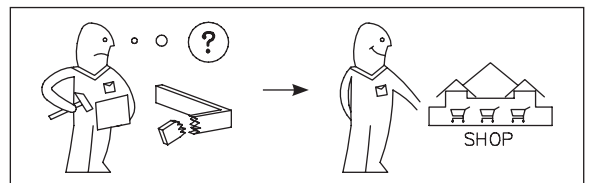
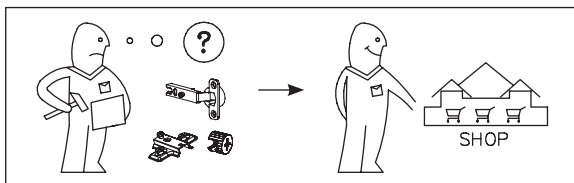
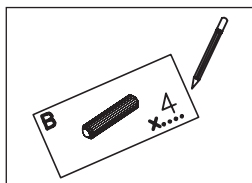
18



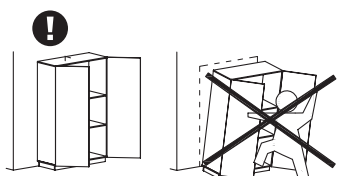
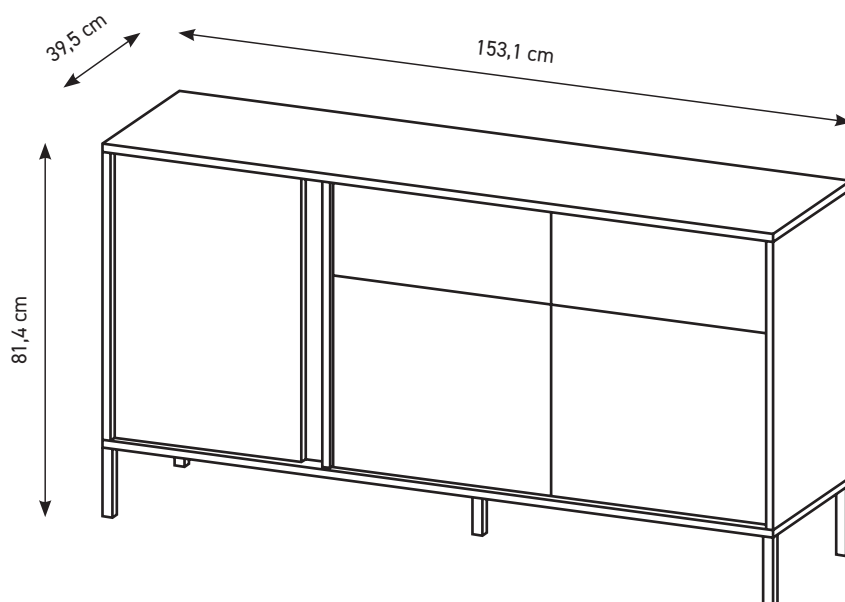




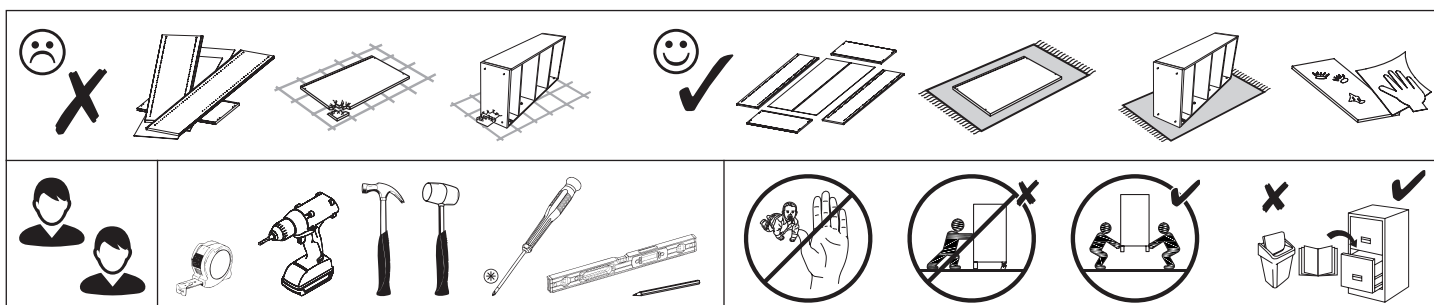
A-1	1033	395	16	x 1	1/2
A-2	1033	395	16	x 1	1/2
A-3	1052	394	16	x 1	1/2
A-4	1052	394	16	x 1	1/2
A-5	1052	372	16	x 1	1/2
A-6	482	300	16	x 2	2/2
A-7	502	345	16	x 1	2/2
A-8	502	345	16	x 1	1/2
A-9	1052	90	16	x 1	2/2
A-10	1048	24	16	x 1	1/2
A-11	426	1046	16	x 1	2/2
A-12	496	626	16	x 1	2/2
A-13	496	206	16	x 2	2/2
A-14	300	120	16	x 2	1/2
A-15	300	120	16	x 2	1/2
A-16	446	120	16	x 2	1/2
A-17	476	306	3	x 2	2/2
A-18	518	1066	3	x 1	2/2
A-19	497	1066	3	x 1	2/2

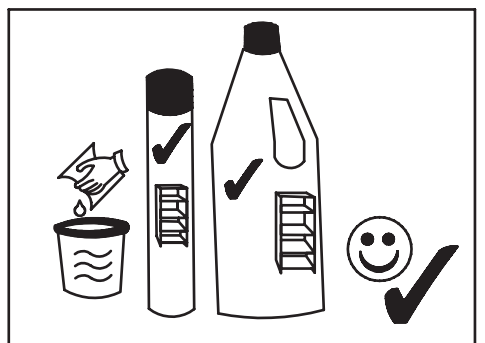
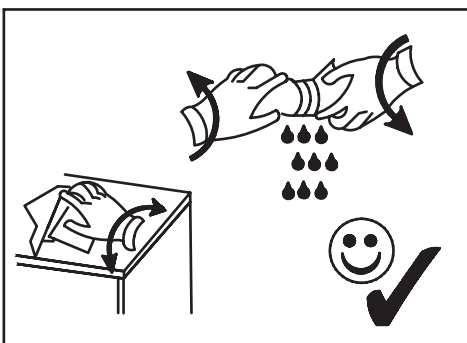
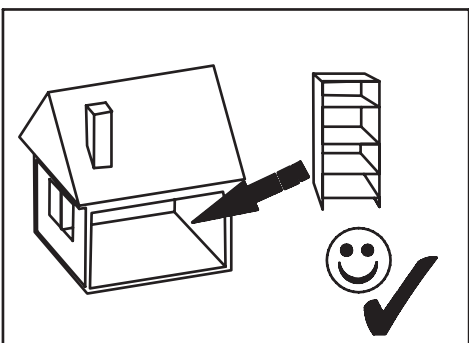
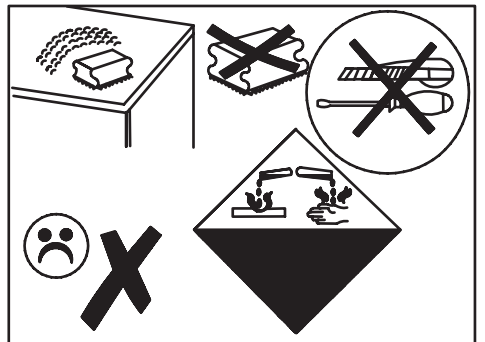
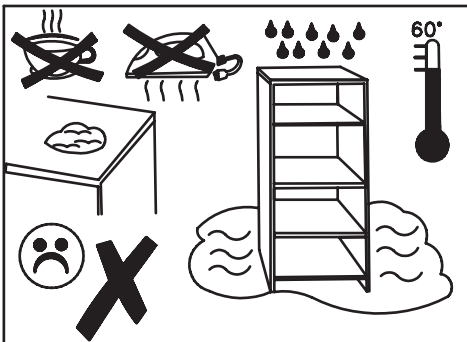
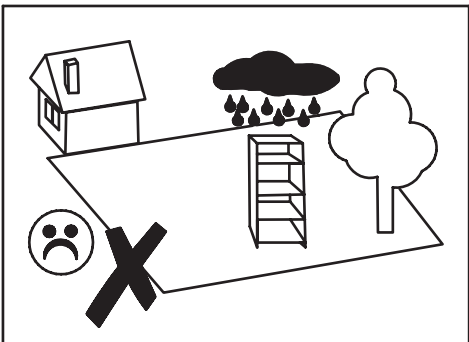


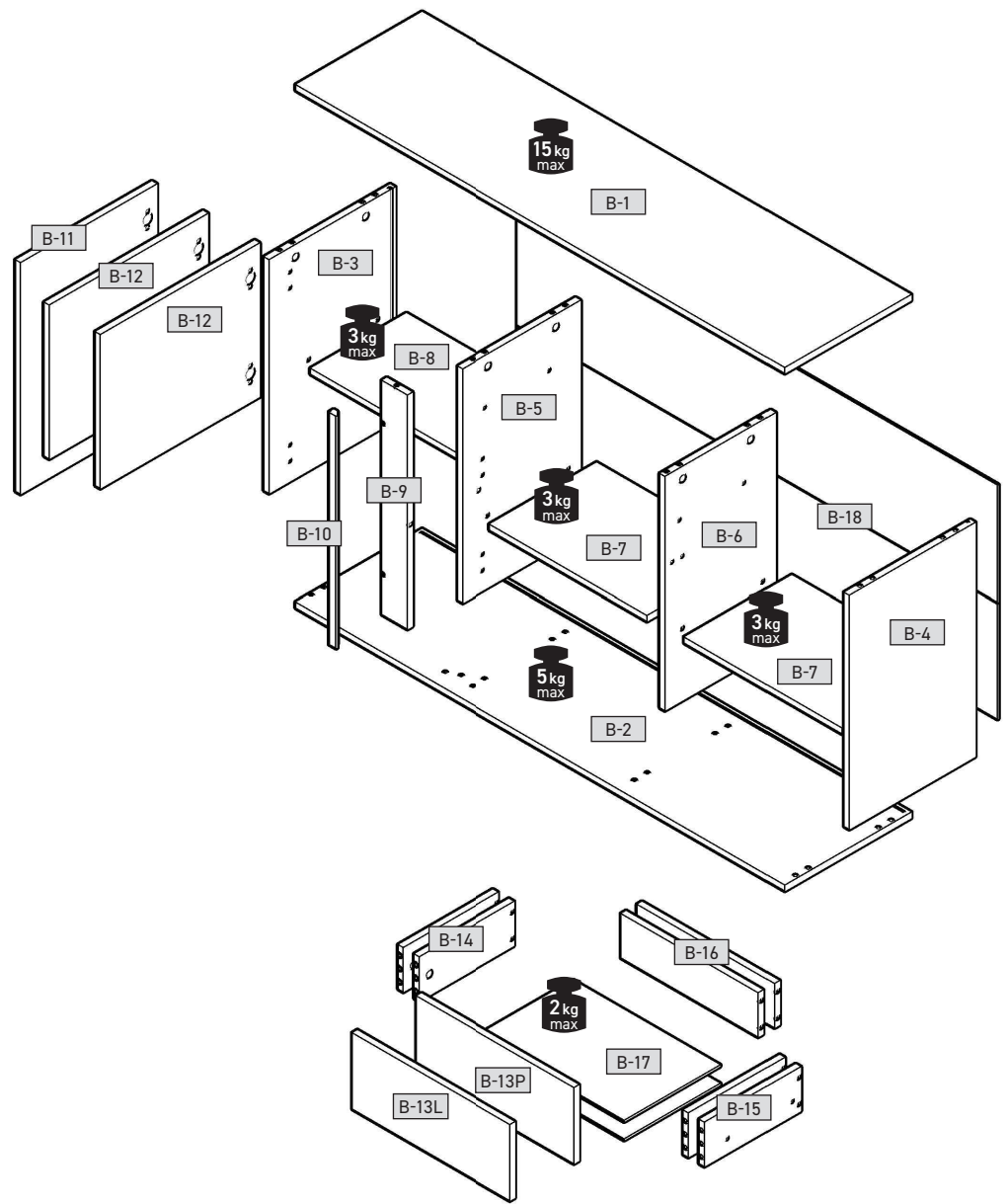
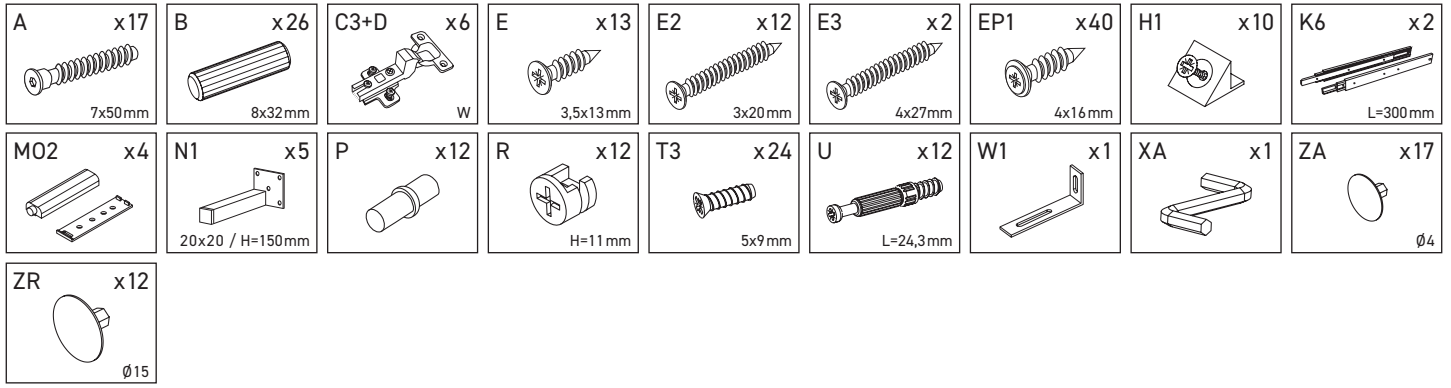
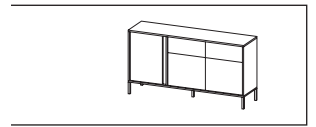
ca. 2,5h 



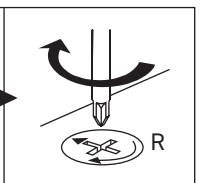
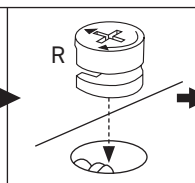
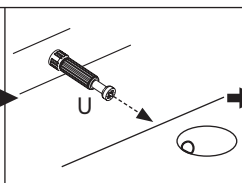
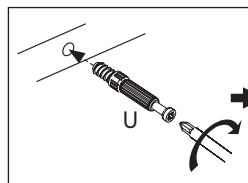
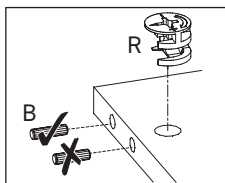
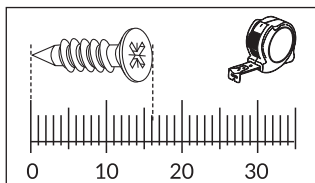
2023-04-26

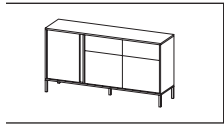




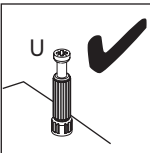
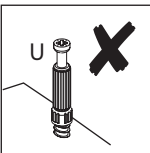
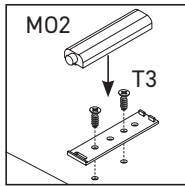
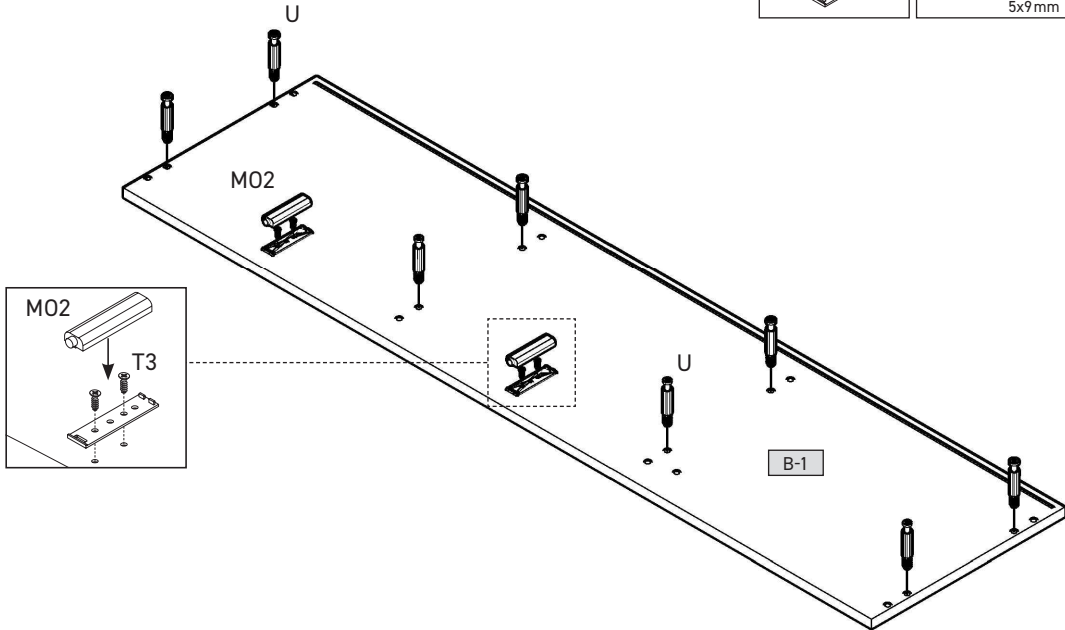
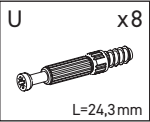
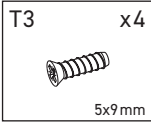
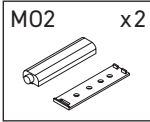


B-1	1531	395	16	x 1	1/2
B-2	1531	395	16	x 1	1/2
B-3	632	394	16	x 1	1/2
B-4	632	394	16	x 1	1/2
B-5	632	372	16	x 1	1/2
B-6	632	345	16	x 1	1/2
B-7	492	335	16	x 2	1/2
B-8	482	300	16	x 1	2/2
B-9	632	90	16	x 1	2/2
B-10	628	24	16	x 1	1/2
B-11	426	626	16	x 1	2/2
B-12	496	416	16	x 2	2/2
B-13L	496	206	16	x 1	2/2
B-13P	496	206	16	x 1	2/2
B-14	300	120	16	x 2	1/2
B-15	300	120	16	x 2	1/2
B-16	436	120	16	x 2	1/2
B-17	466	306	3	x 2	1/2
B-18	1512	646	3	x 1	1/2

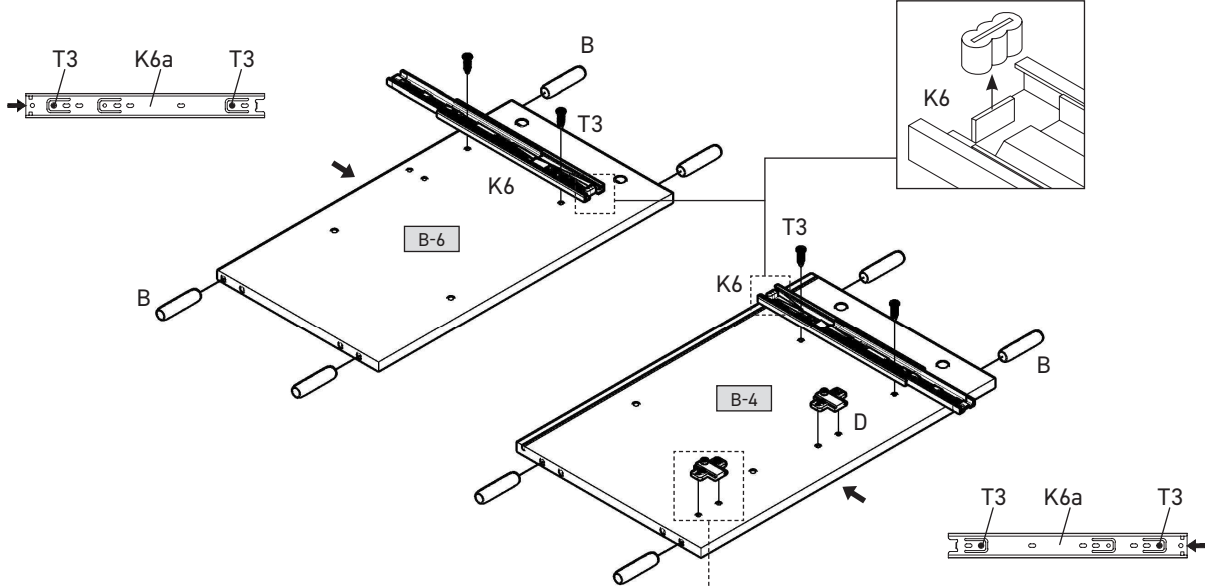
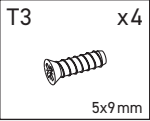
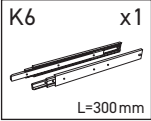
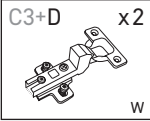
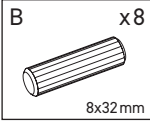




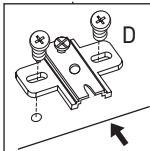
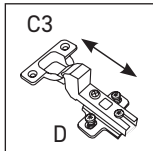
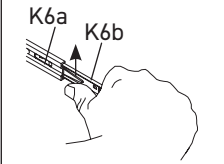
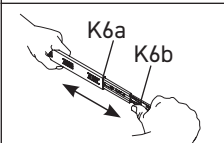
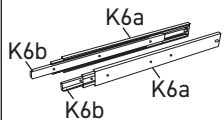
1

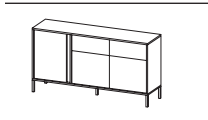


2



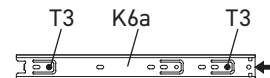
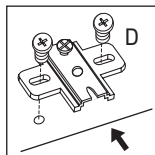
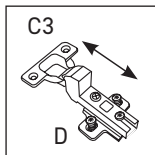
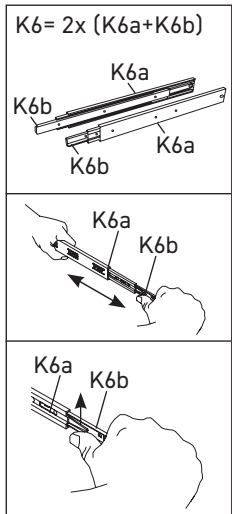
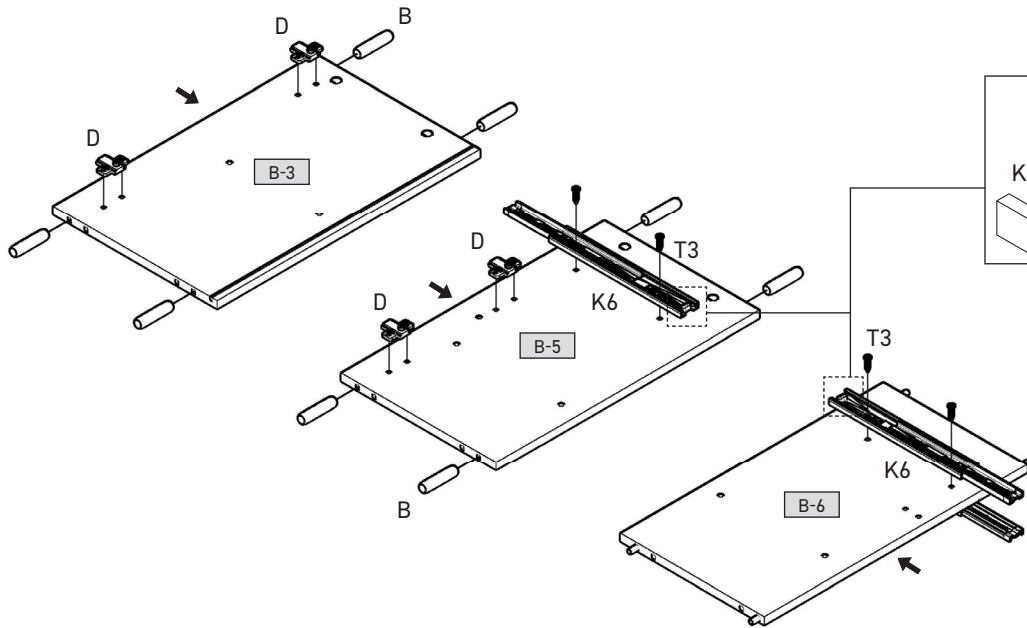
K6= 2x (K6a+K6b)





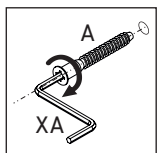
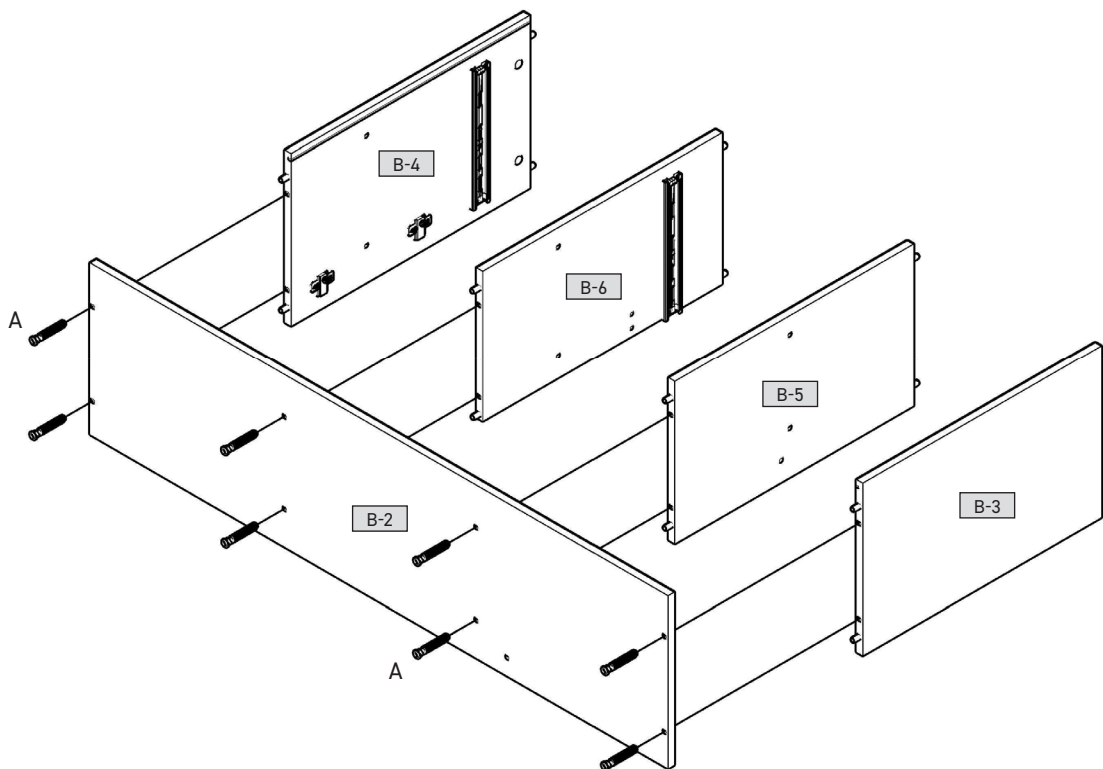
3

B x8 8x32mm	C3+D x4 W	K6 x1 L=300mm	T3 x4 5x9mm
--------------------------	------------------------	----------------------------	--------------------------



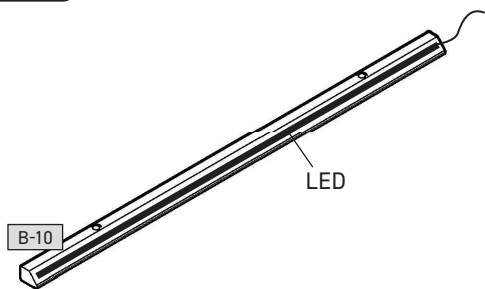
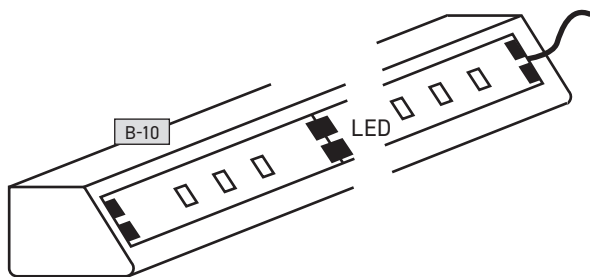
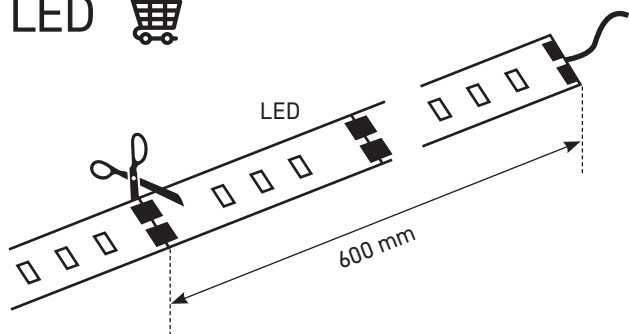
4

A x8 7x50mm	XA x1
--------------------------	-----------------

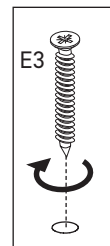
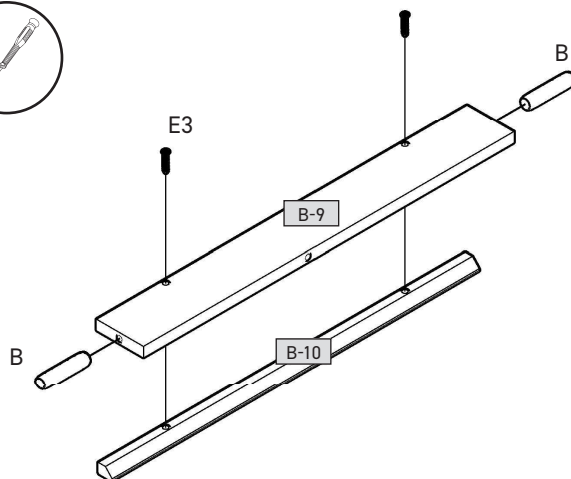
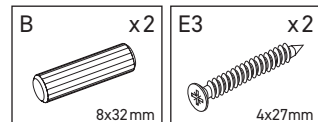




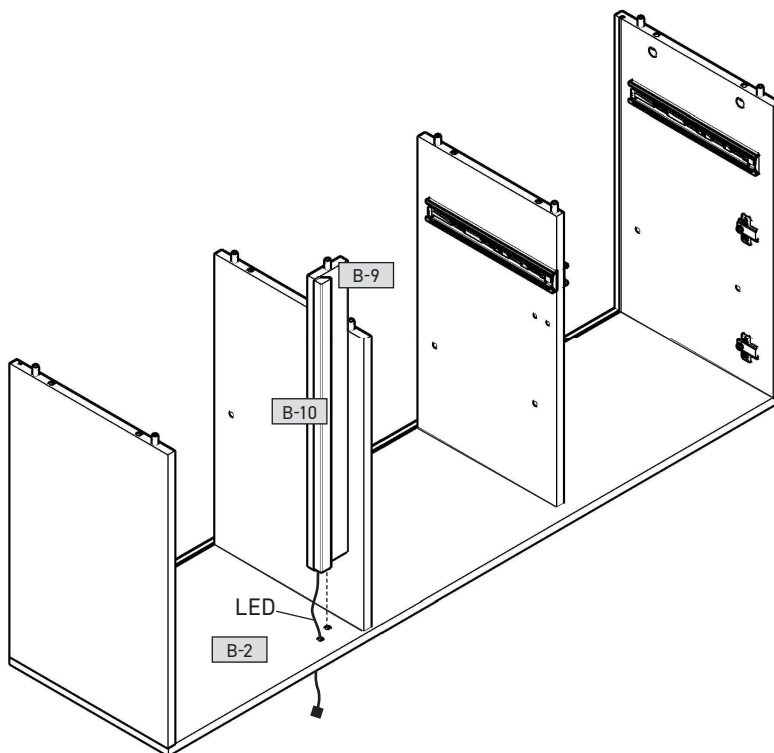
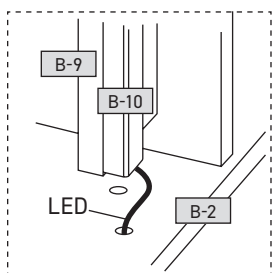
LED



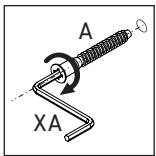
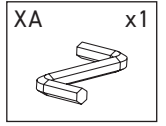
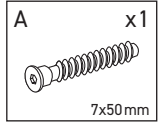
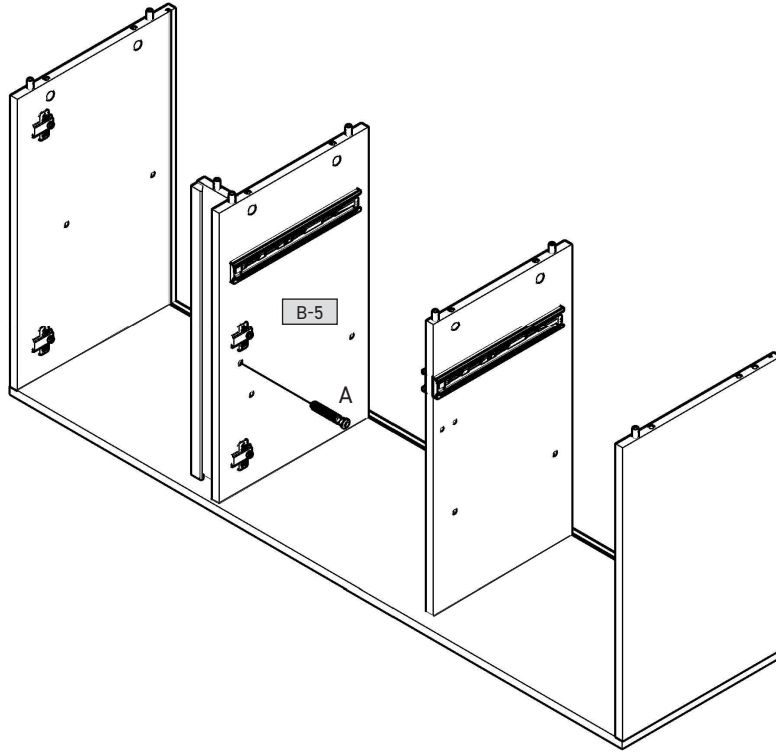
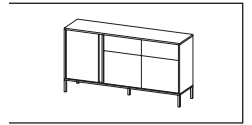
5



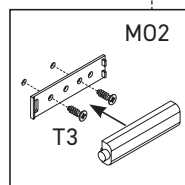
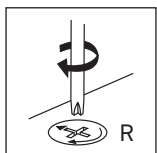
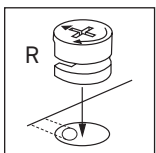
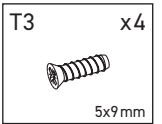
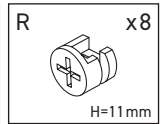
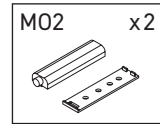
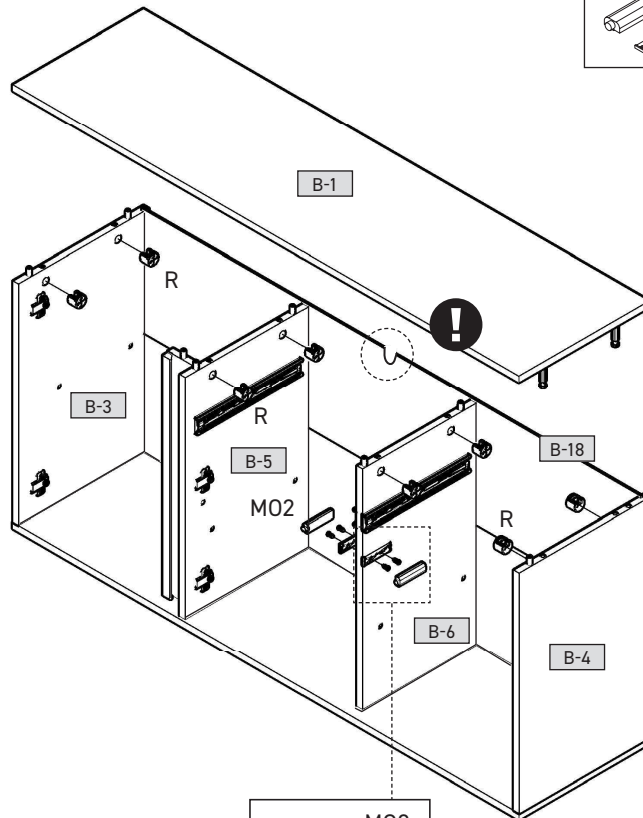
6

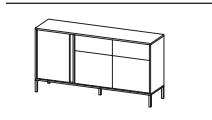


7

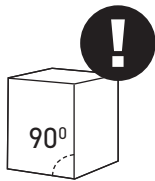
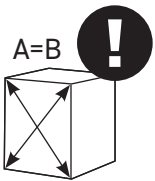
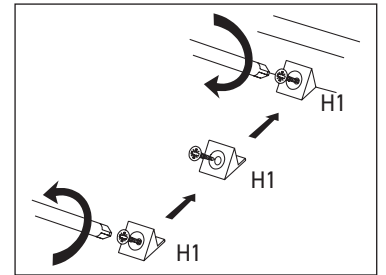
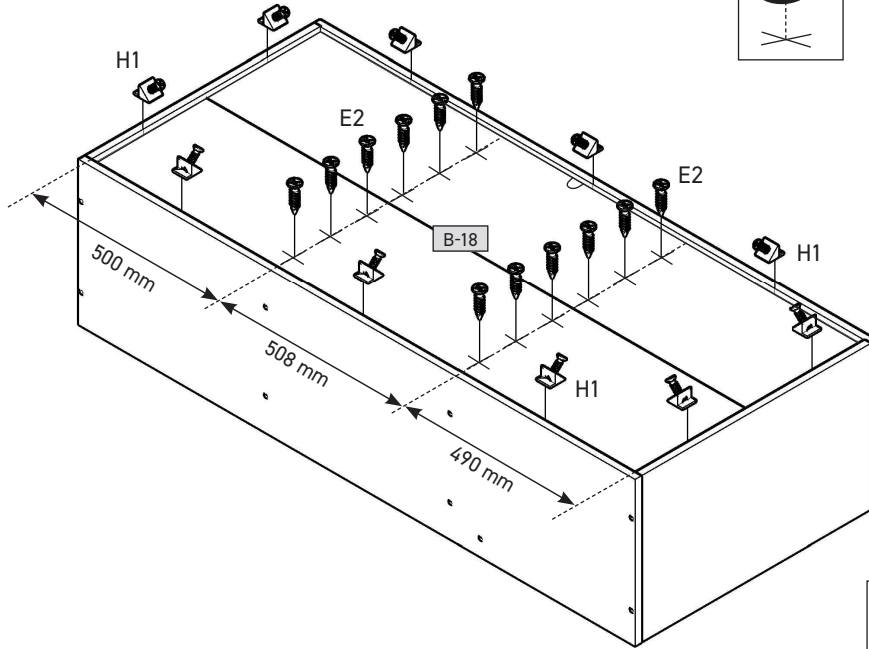
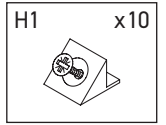
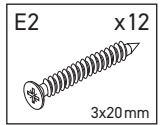
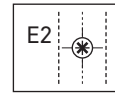
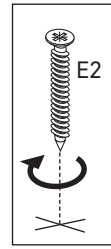


8

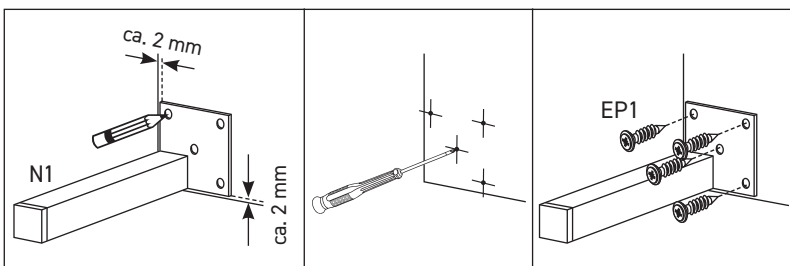
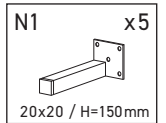
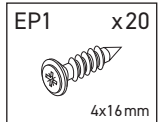
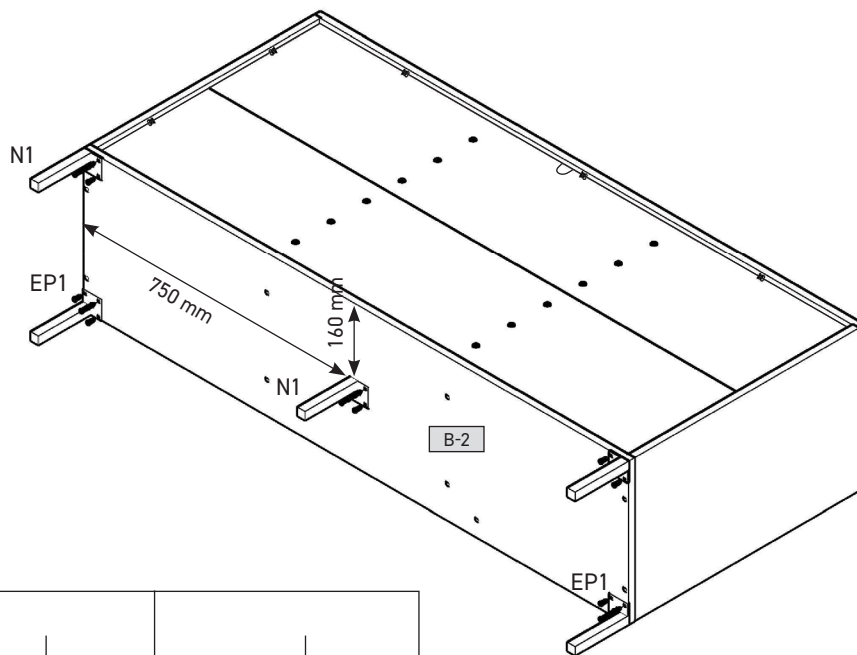




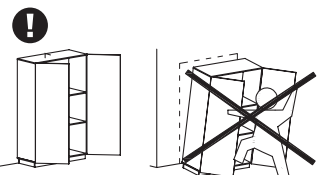
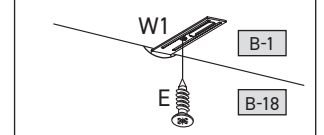
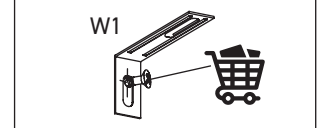
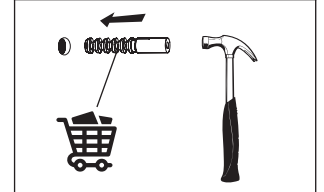
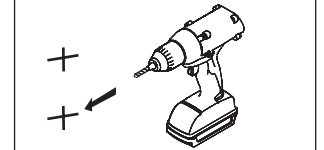
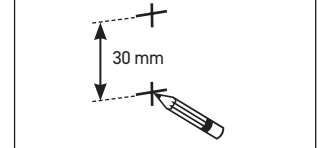
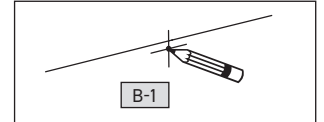
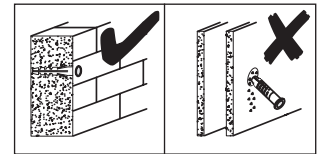
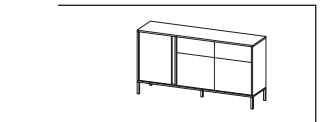
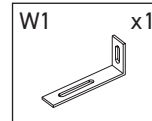
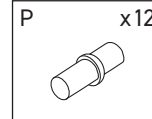
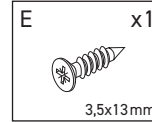
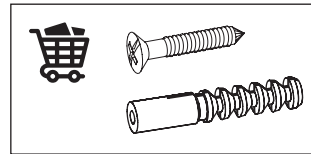
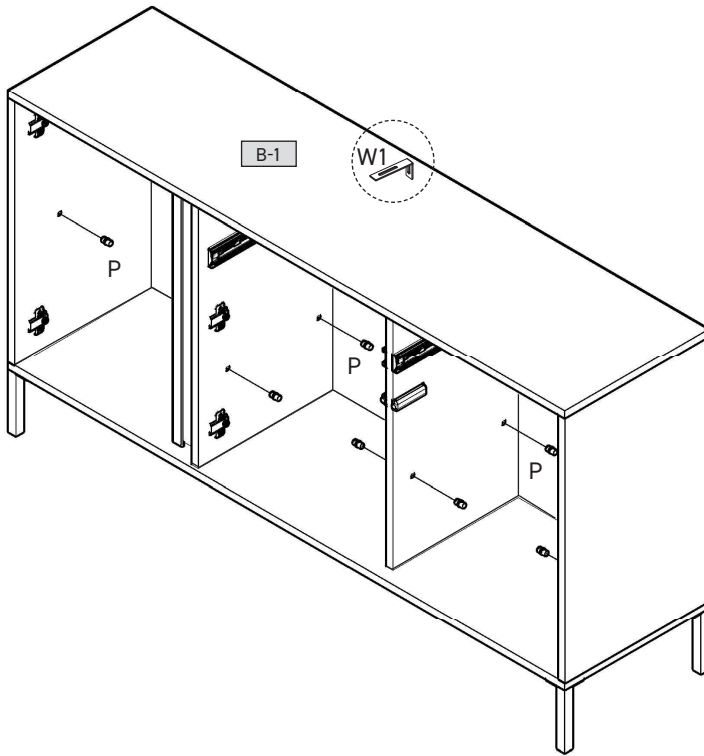
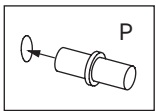
9



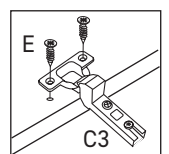
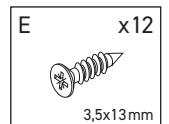
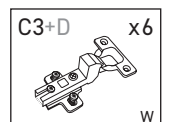
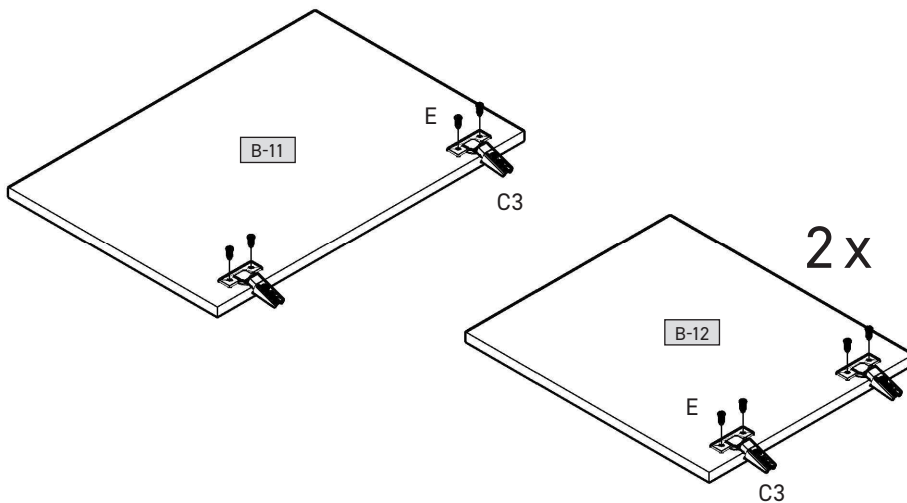
10



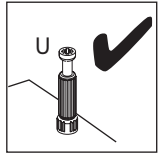
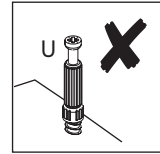
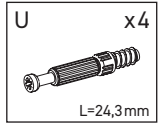
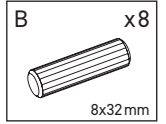
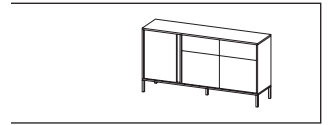
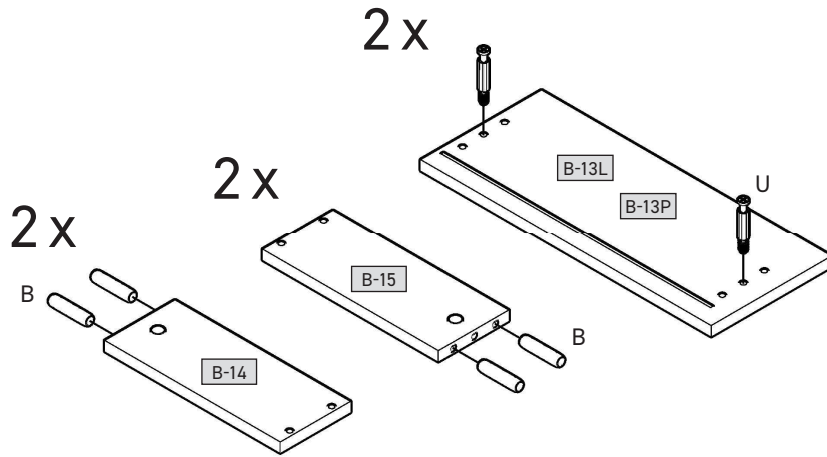
11



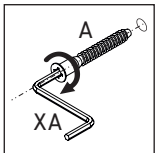
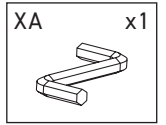
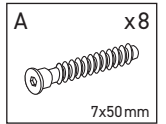
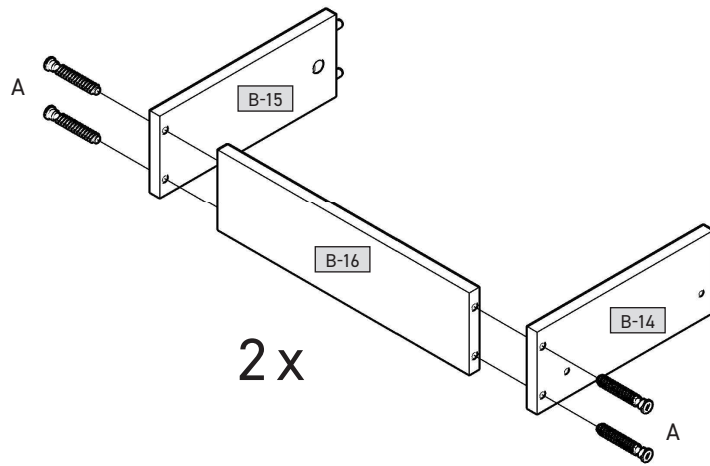
12



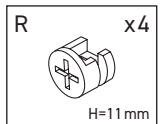
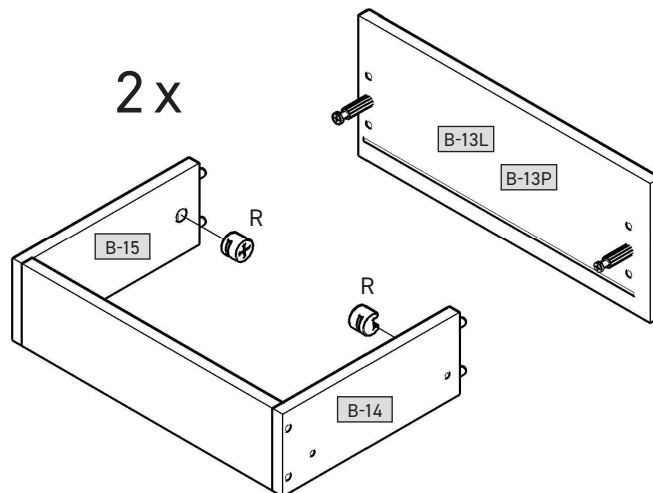
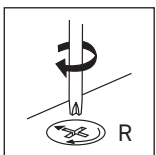
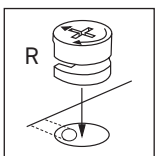
13

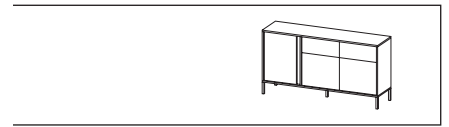


14

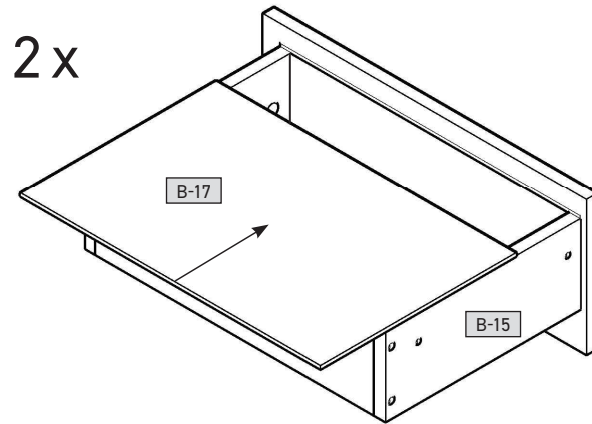


15

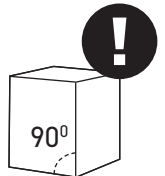
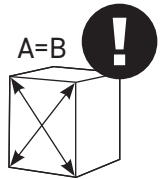
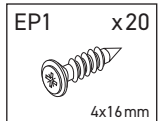
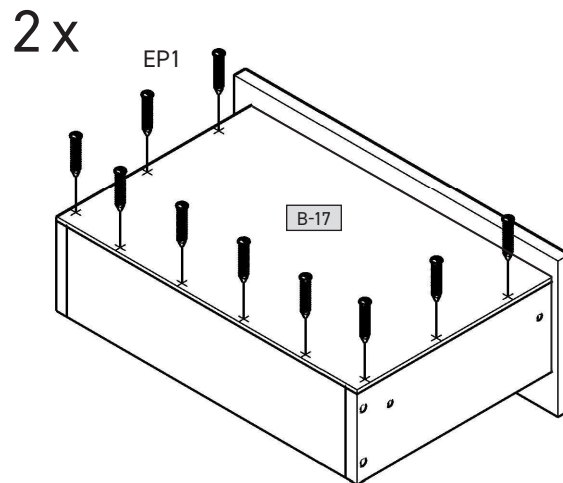
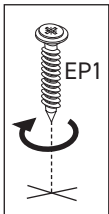




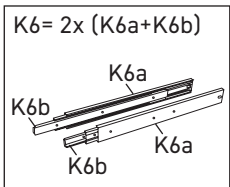
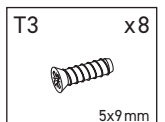
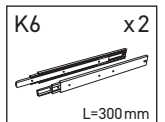
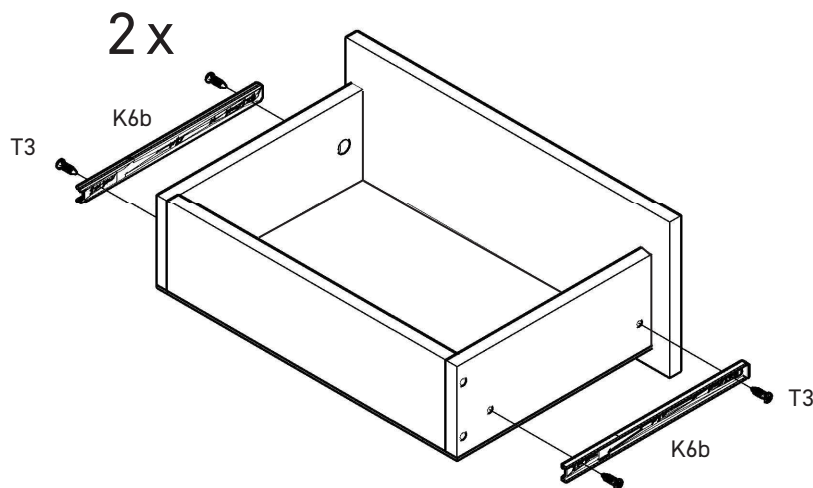
16



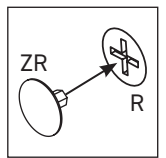
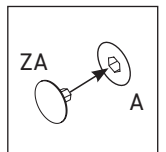
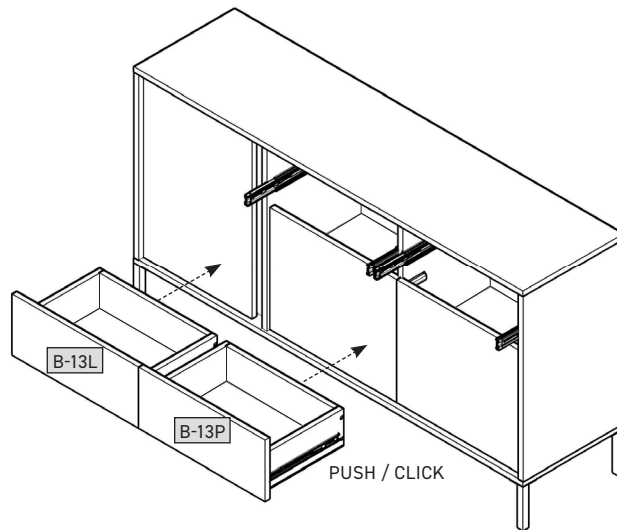
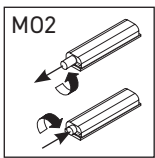
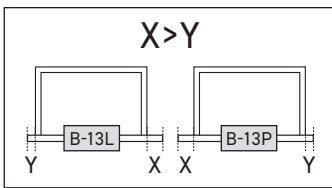
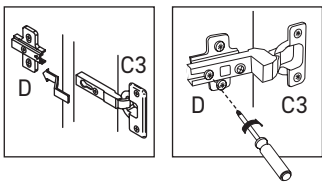
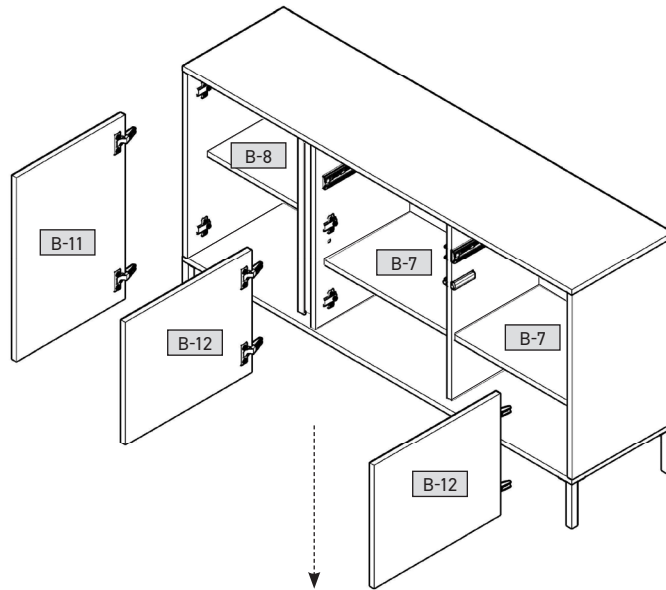
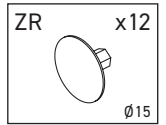
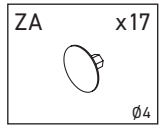
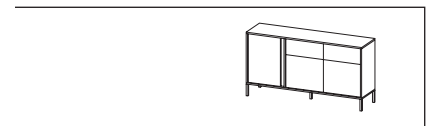
17



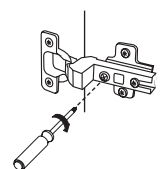
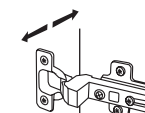
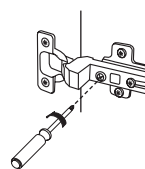
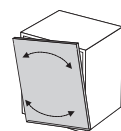
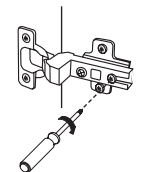
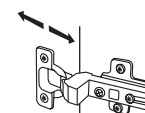
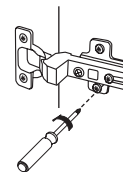
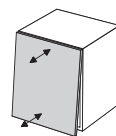
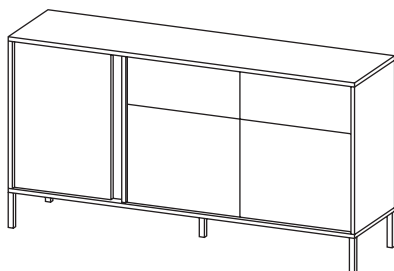
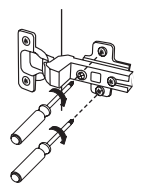
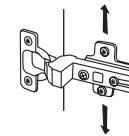
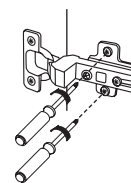
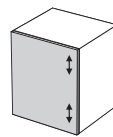
18

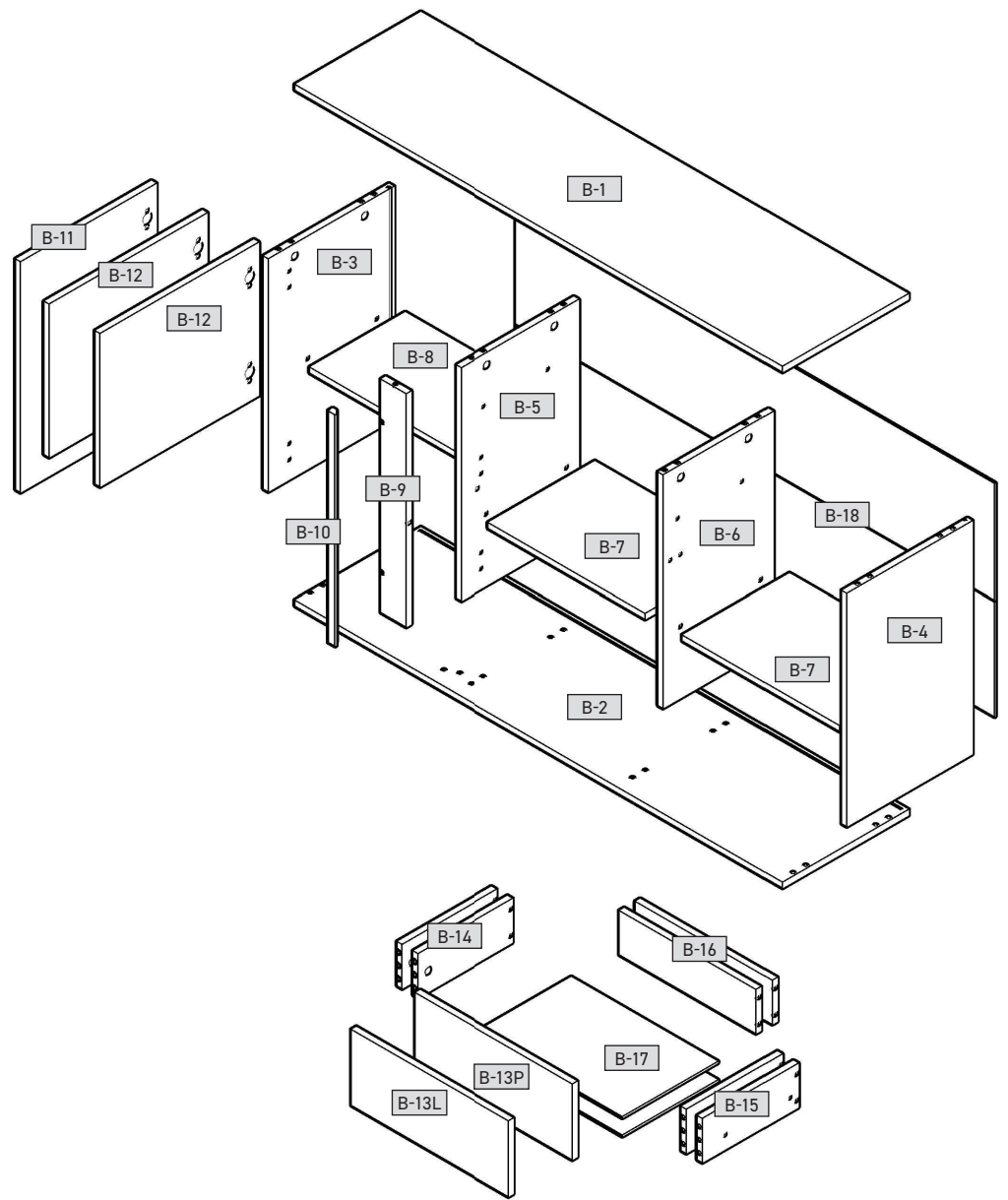
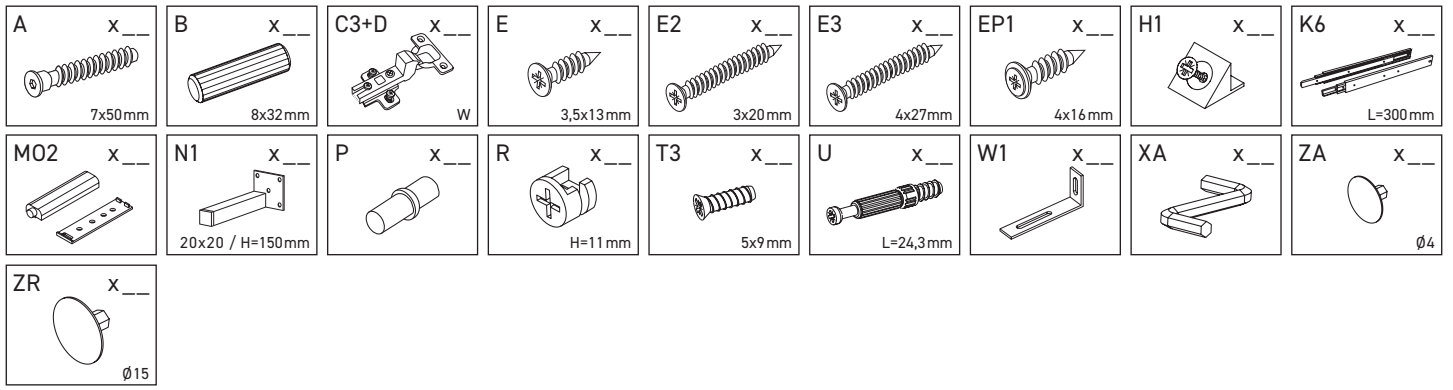


19

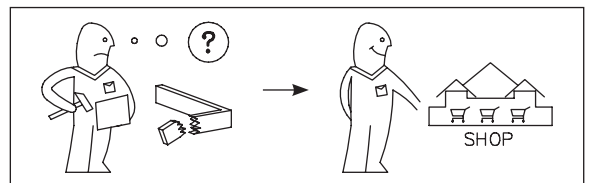
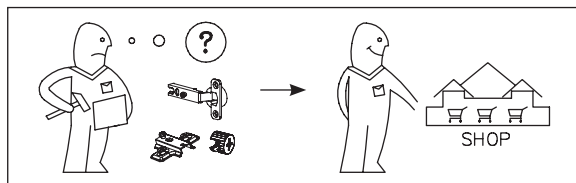
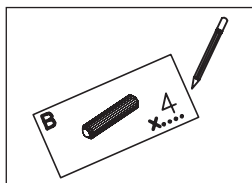


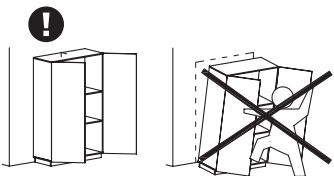
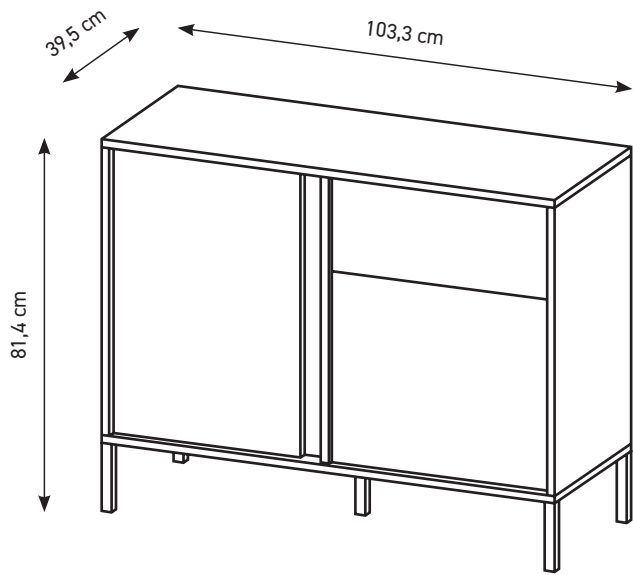
20



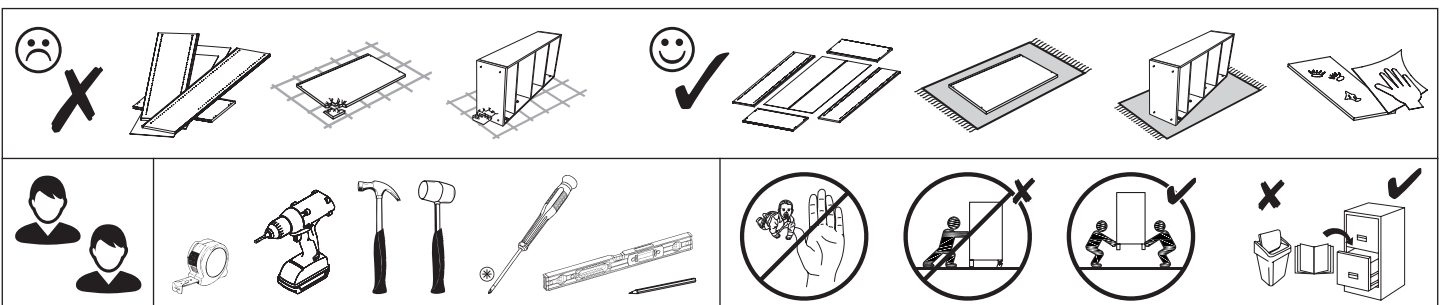


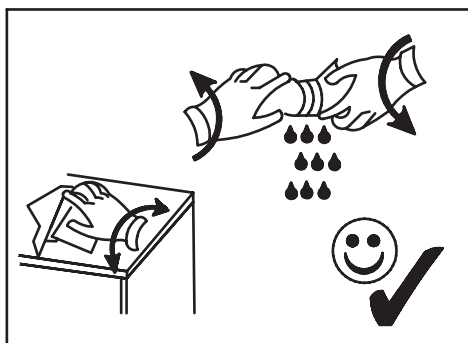
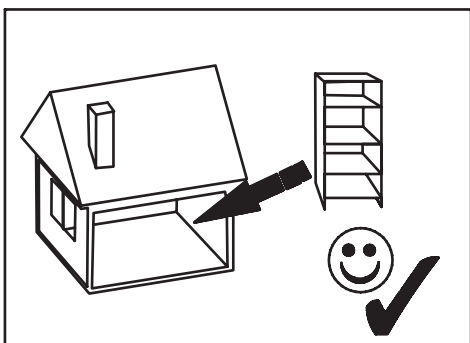
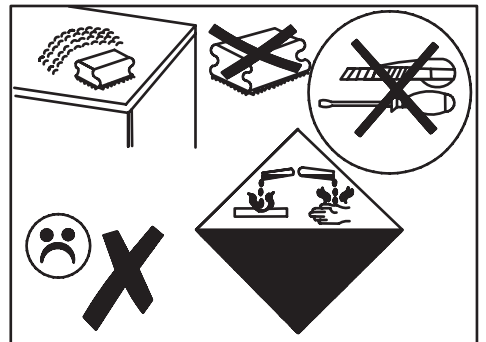
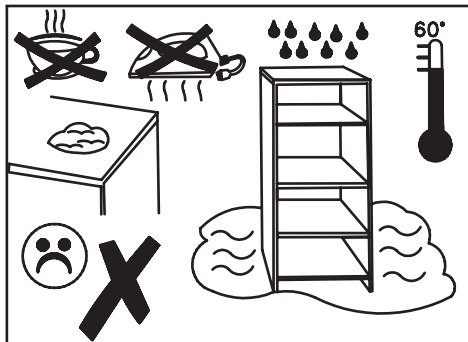
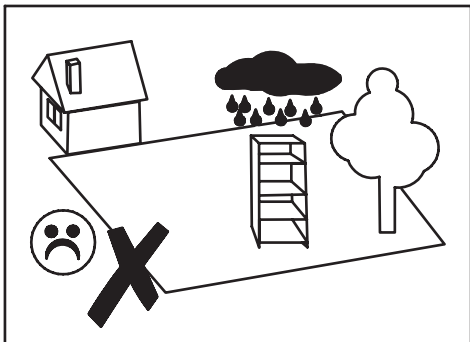
B-1	1531	395	16	x 1	1/2
B-2	1531	395	16	x 1	1/2
B-3	632	394	16	x 1	1/2
B-4	632	394	16	x 1	1/2
B-5	632	372	16	x 1	1/2
B-6	632	345	16	x 1	1/2
B-7	492	335	16	x 2	1/2
B-8	482	300	16	x 1	2/2
B-9	632	90	16	x 1	2/2
B-10	628	24	16	x 1	1/2
B-11	426	626	16	x 1	2/2
B-12	496	416	16	x 2	2/2
B-13L	496	206	16	x 1	2/2
B-13P	496	206	16	x 1	2/2
B-14	300	120	16	x 2	1/2
B-15	300	120	16	x 2	1/2
B-16	436	120	16	x 2	1/2
B-17	466	306	3	x 2	1/2
B-18	1512	646	3	x 1	1/2

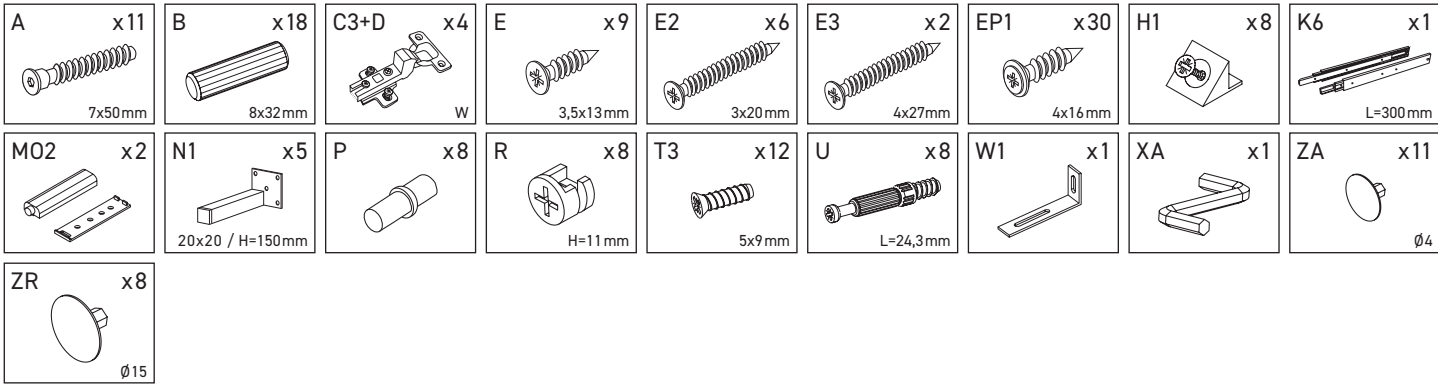
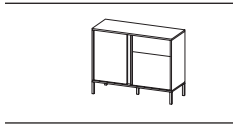




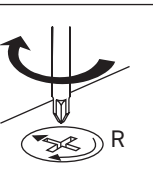
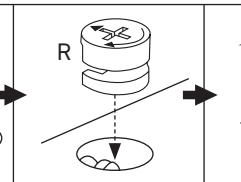
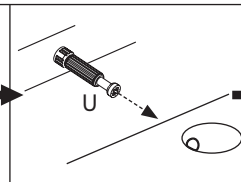
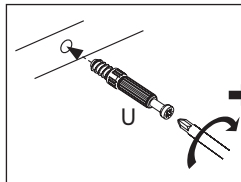
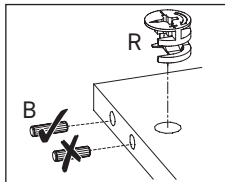
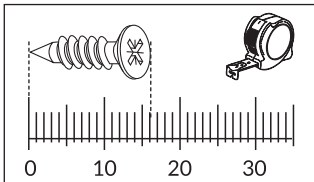
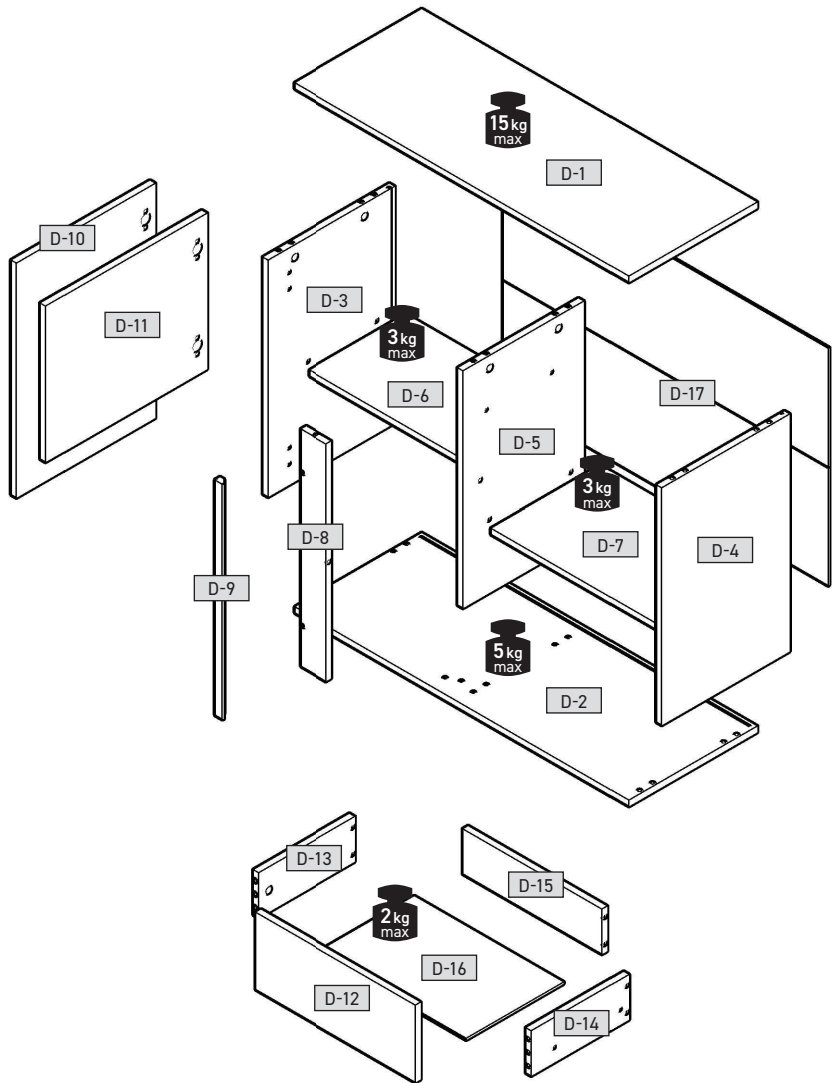
2023-04-26







D-1	1033	395	16	x 1	1/1
D-2	1033	395	16	x 1	1/1
D-3	632	394	16	x 1	1/1
D-4	632	394	16	x 1	1/1
D-5	632	372	16	x 1	1/1
D-6	482	300	16	x 1	1/1
D-7	502	345	16	x 1	1/1
D-8	632	90	16	x 1	1/1
D-9	628	24	16	x 1	1/1
D-10	426	626	16	x 1	1/1
D-11	496	416	16	x 1	1/1
D-12	496	206	16	x 1	1/1
D-13	300	120	16	x 1	1/1
D-14	300	120	16	x 1	1/1
D-15	446	120	16	x 1	1/1
D-16	476	306	3	x 1	1/1
D-17	1014	646	3	x 1	1/1

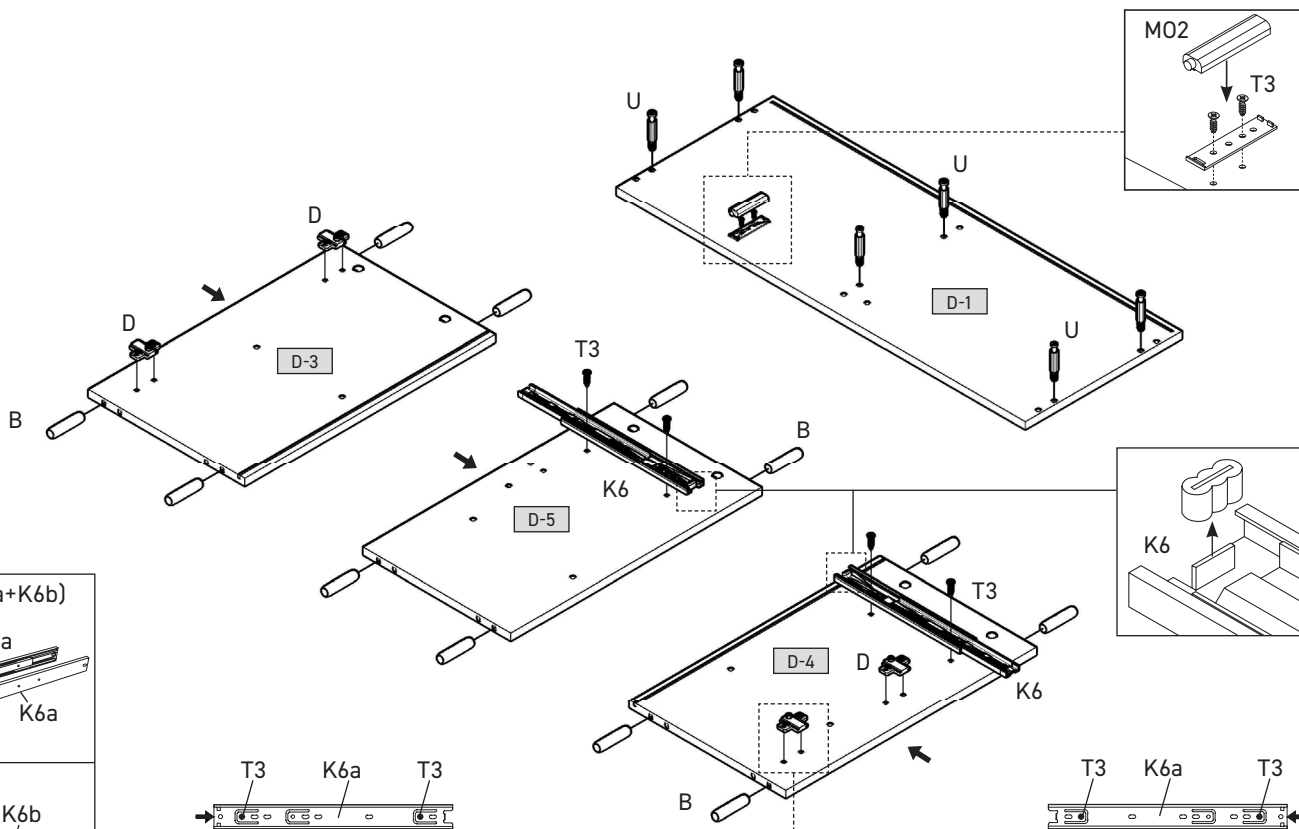




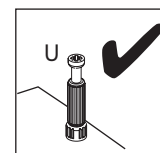
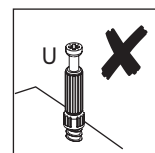
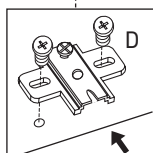
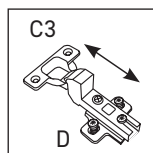
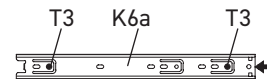
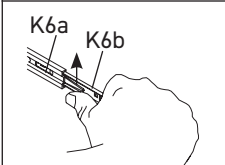
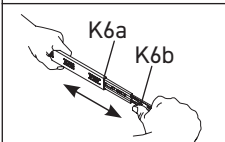
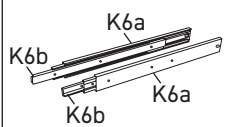
1



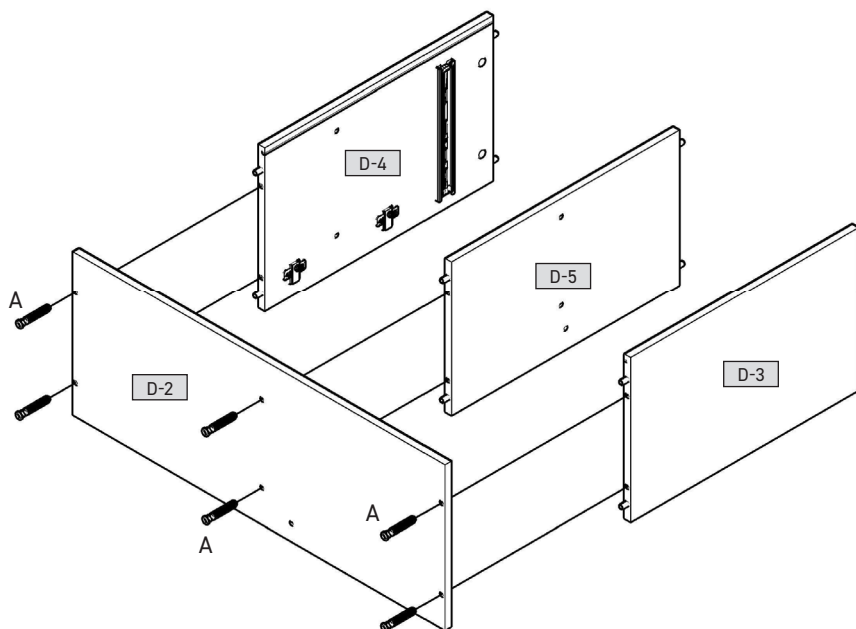
B x12 8x32mm	C3+D x4 W	K6 x1 L=300mm	M02 x1	T3 x6 5x9mm	U x6 L=24,3mm
------------------------	---------------------	-------------------------	---------------	-----------------------	-------------------------



K6 = 2x (K6a+K6b)

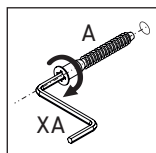


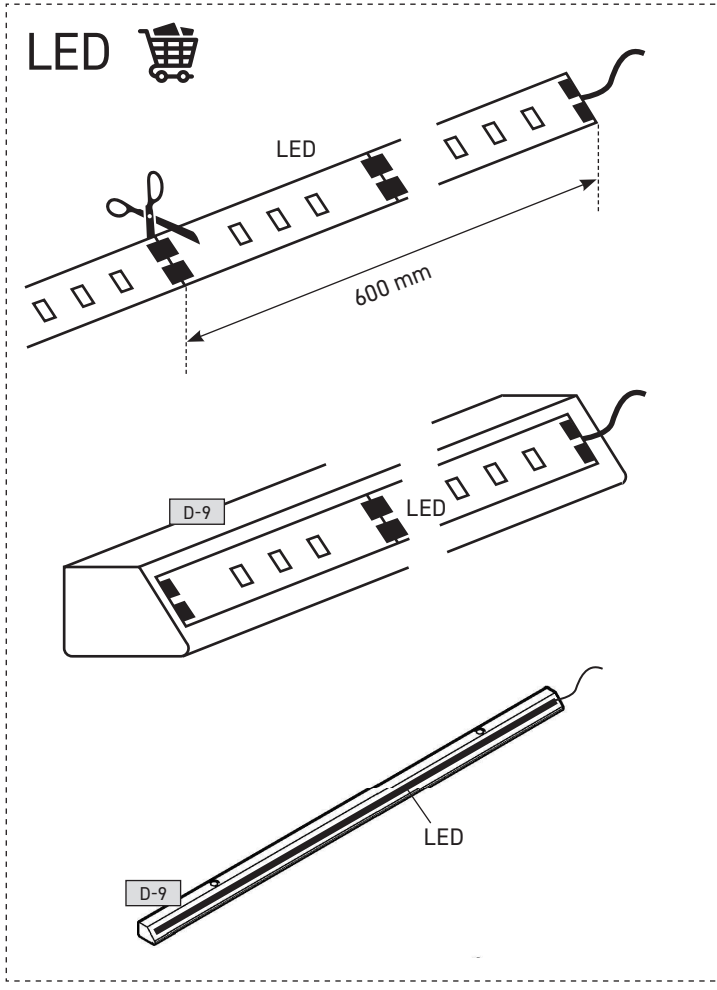
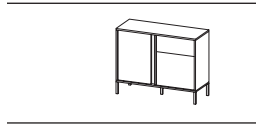
2



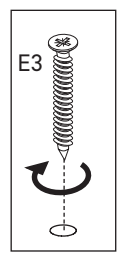
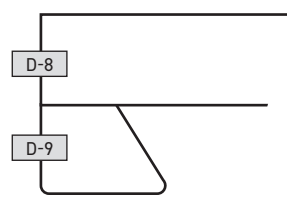
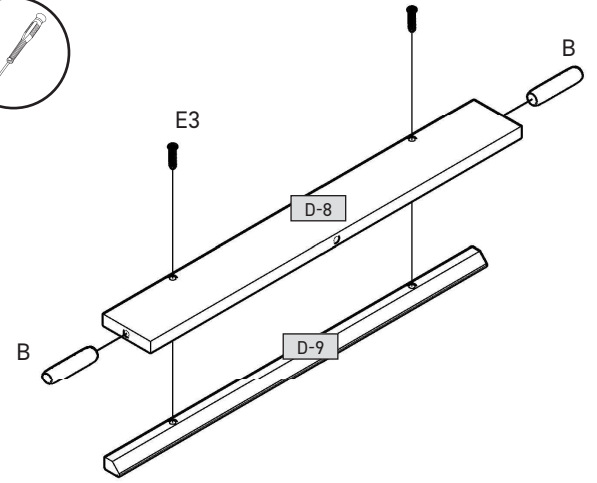
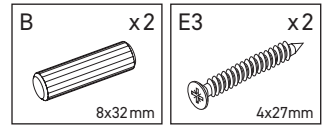
A x6 7x50mm

XA x1

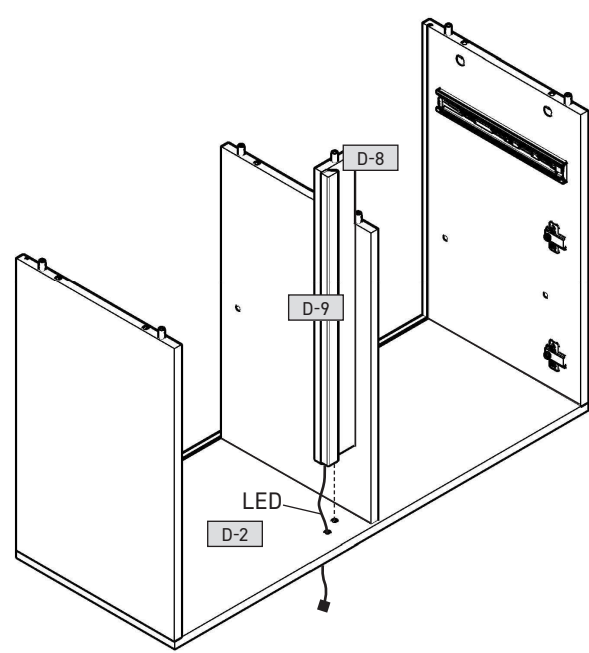
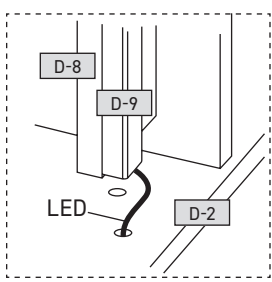


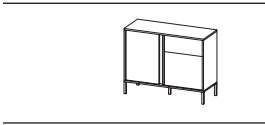


3

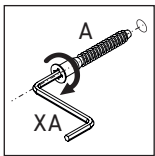
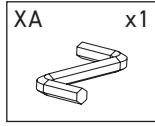
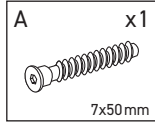
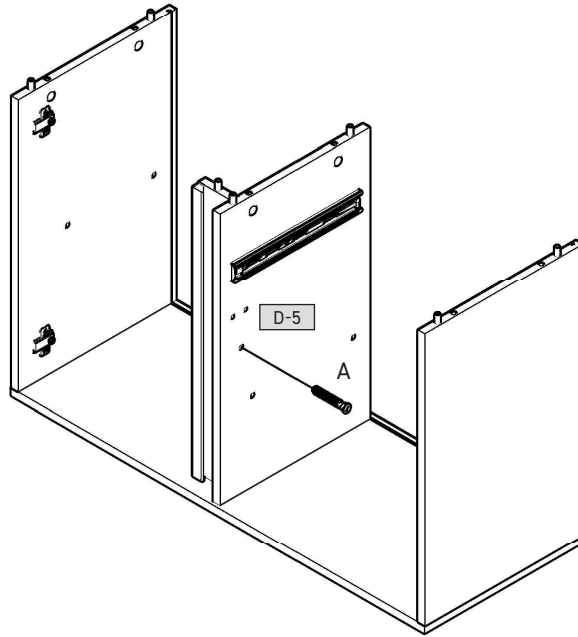


4

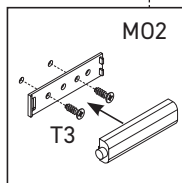
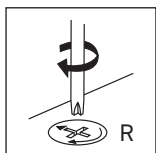
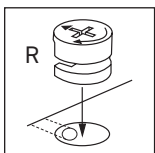
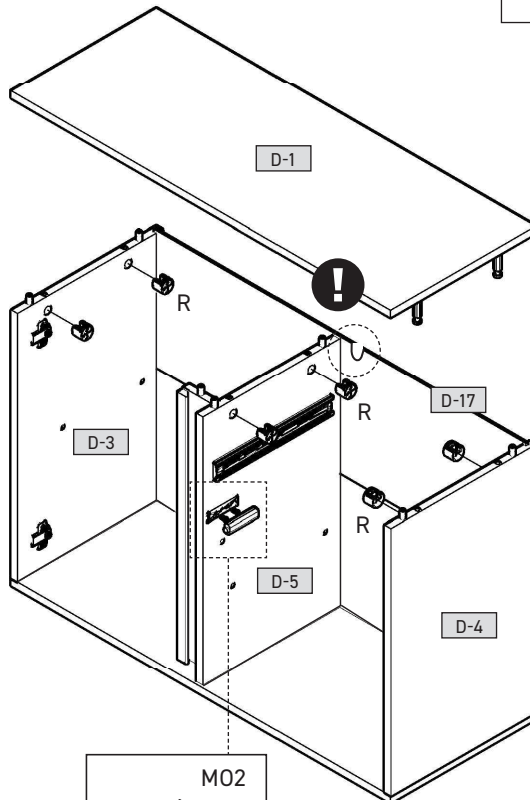
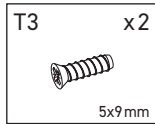
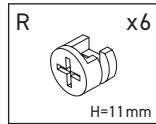
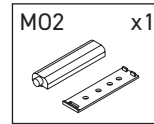




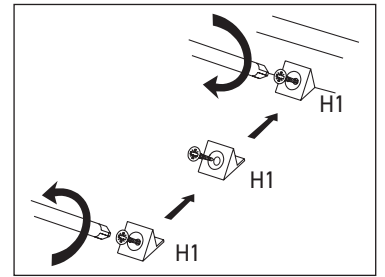
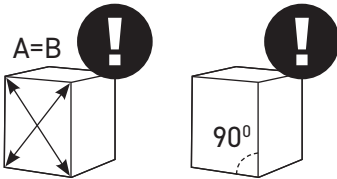
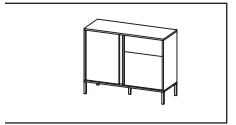
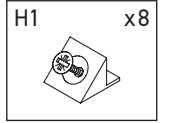
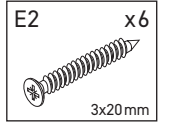
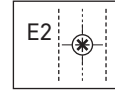
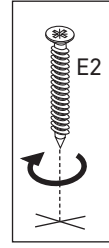
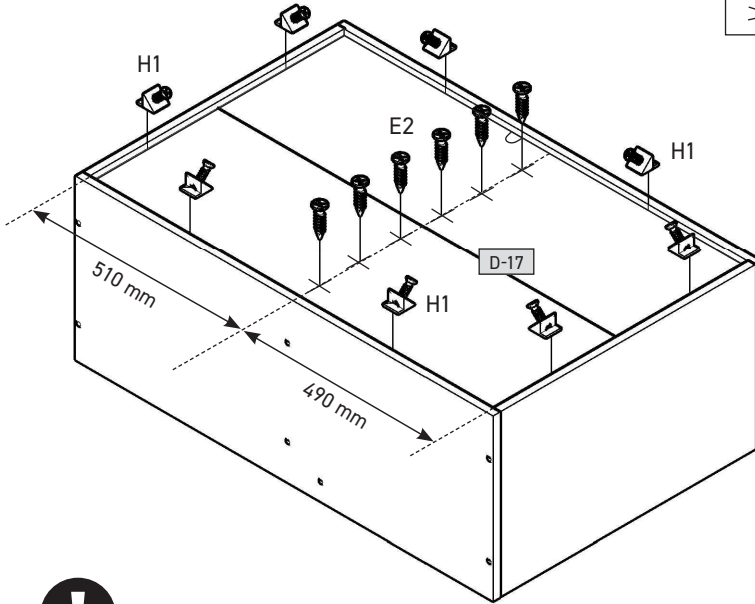
5



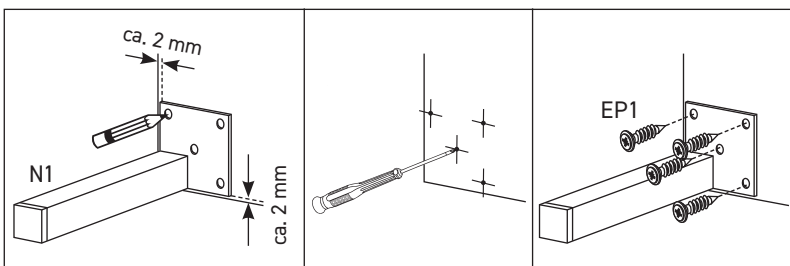
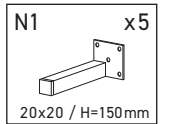
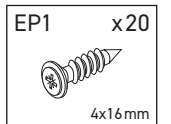
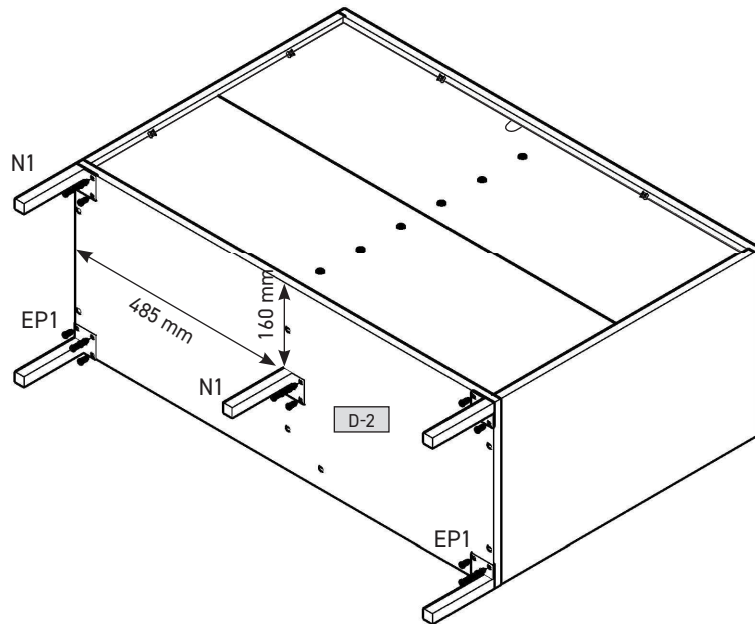
6



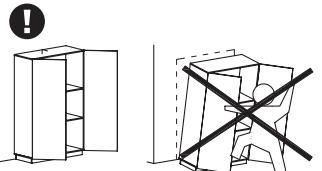
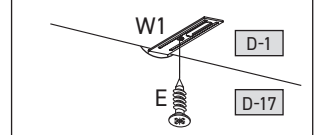
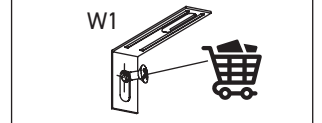
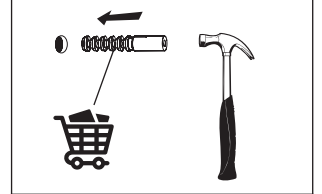
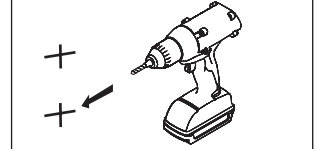
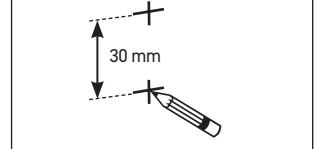
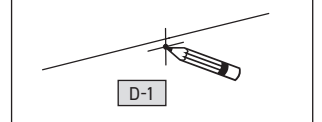
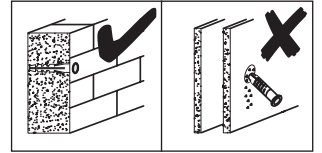
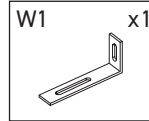
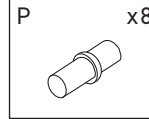
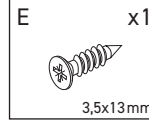
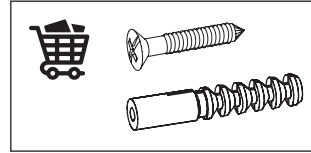
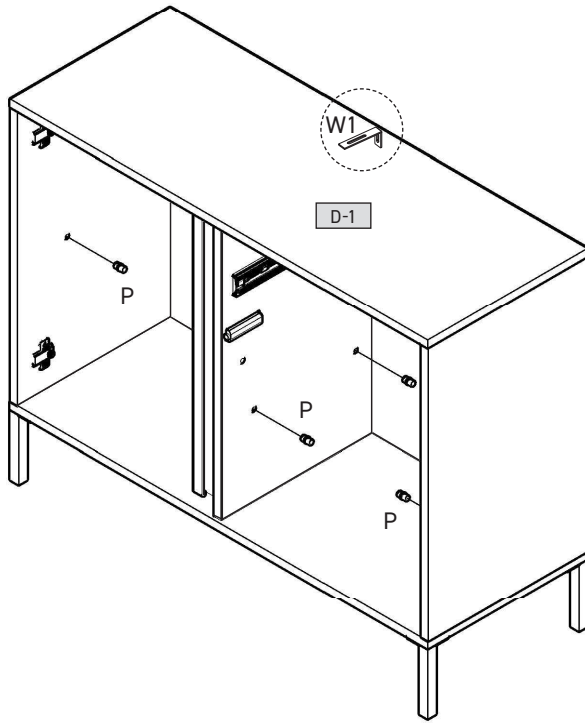
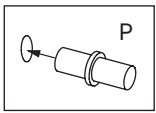
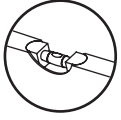
7



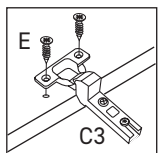
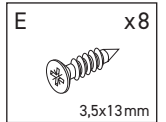
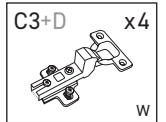
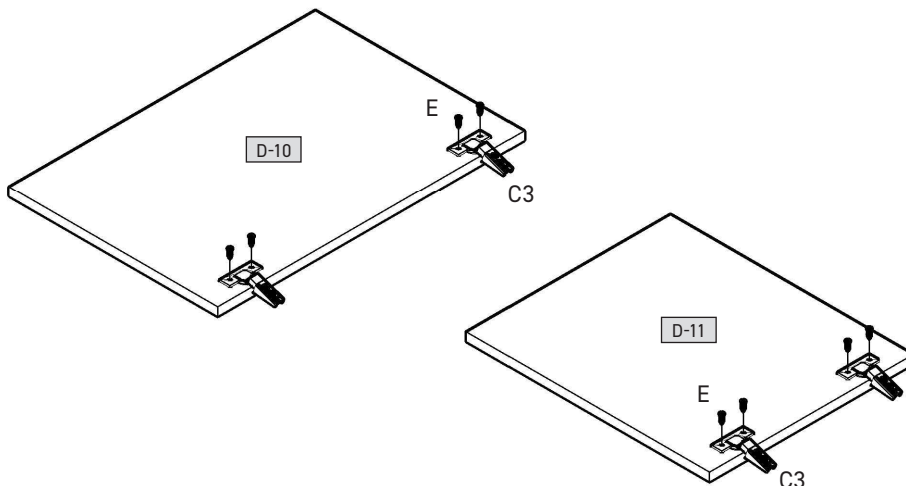
8



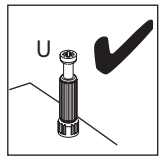
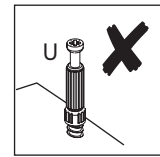
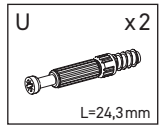
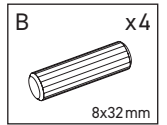
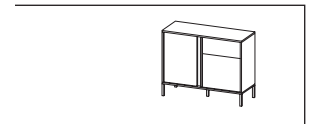
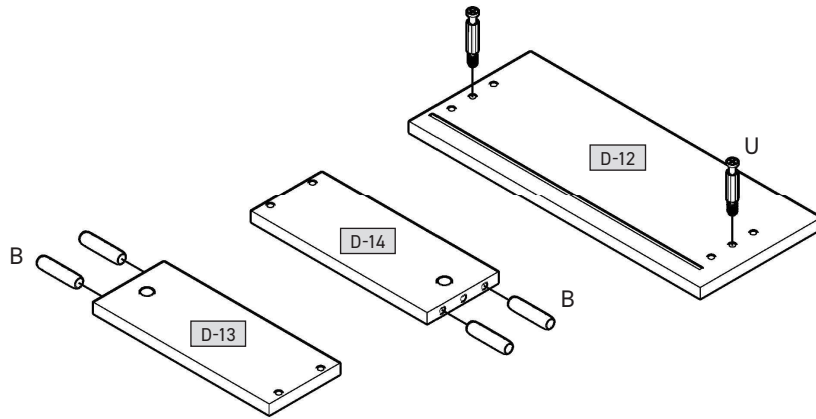
9



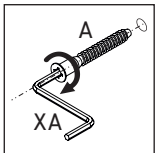
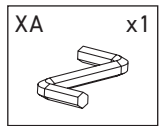
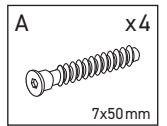
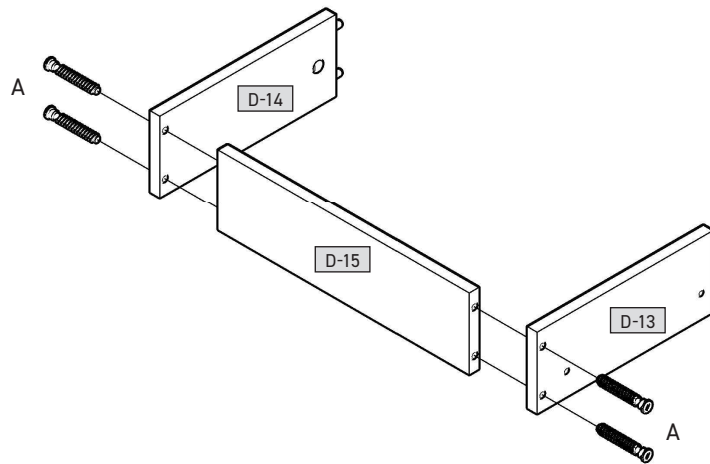
10



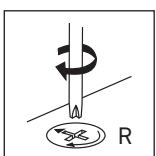
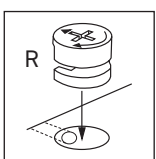
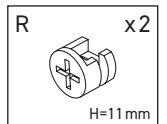
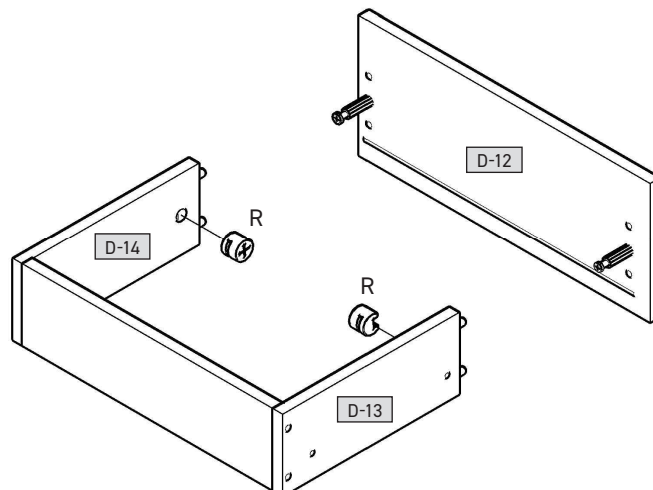
11

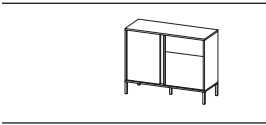


12

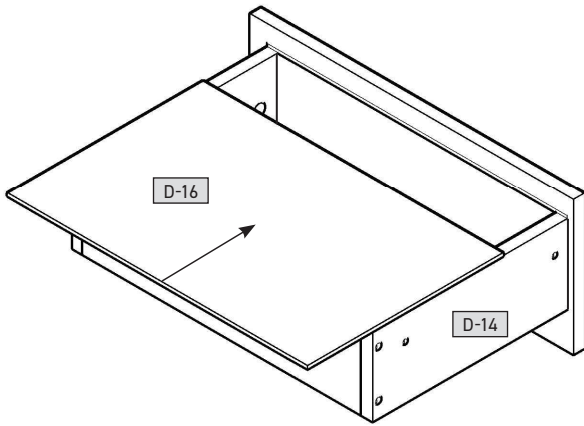


13

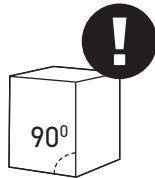
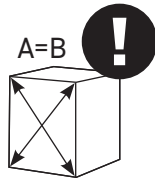
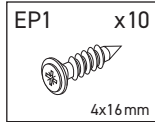
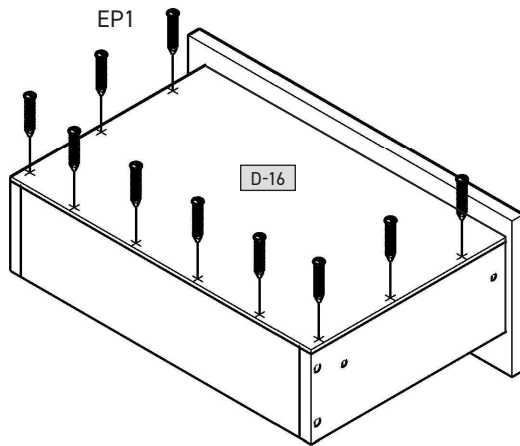
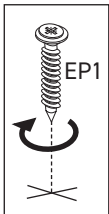




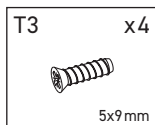
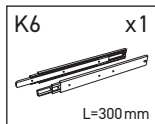
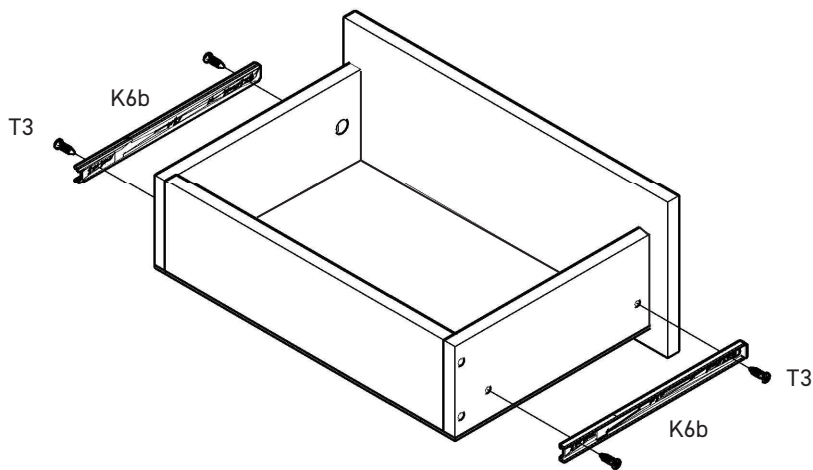
14



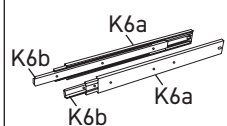
15



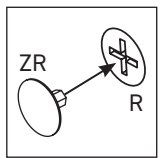
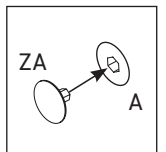
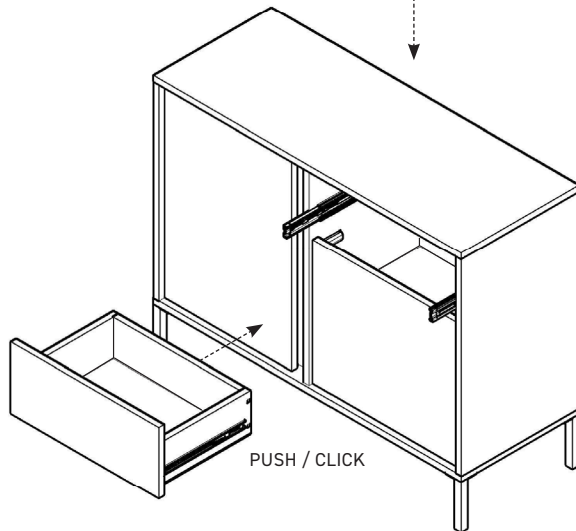
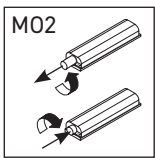
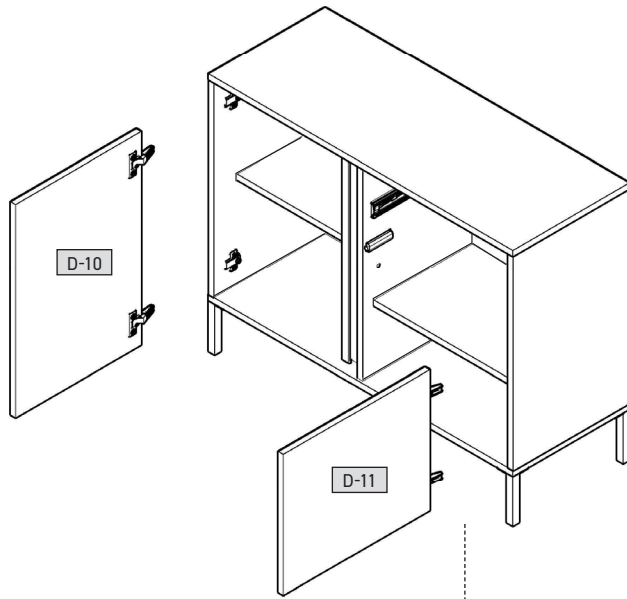
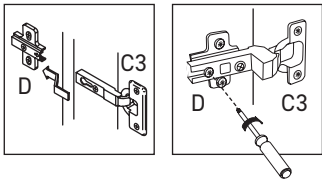
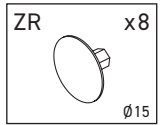
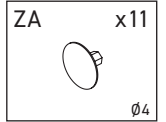
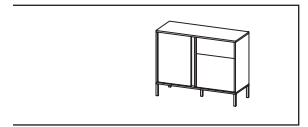
16



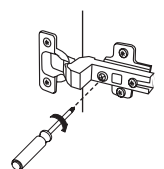
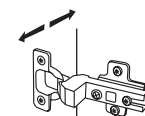
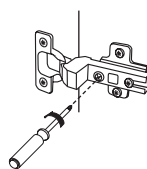
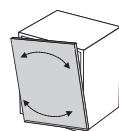
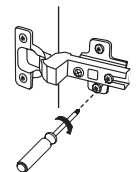
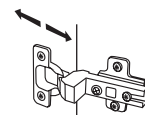
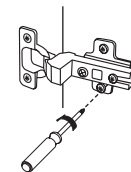
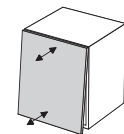
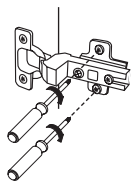
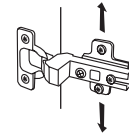
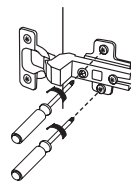
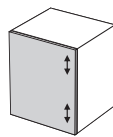
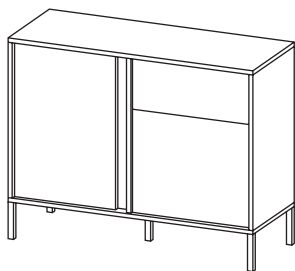
K6 = 2x (K6a + K6b)

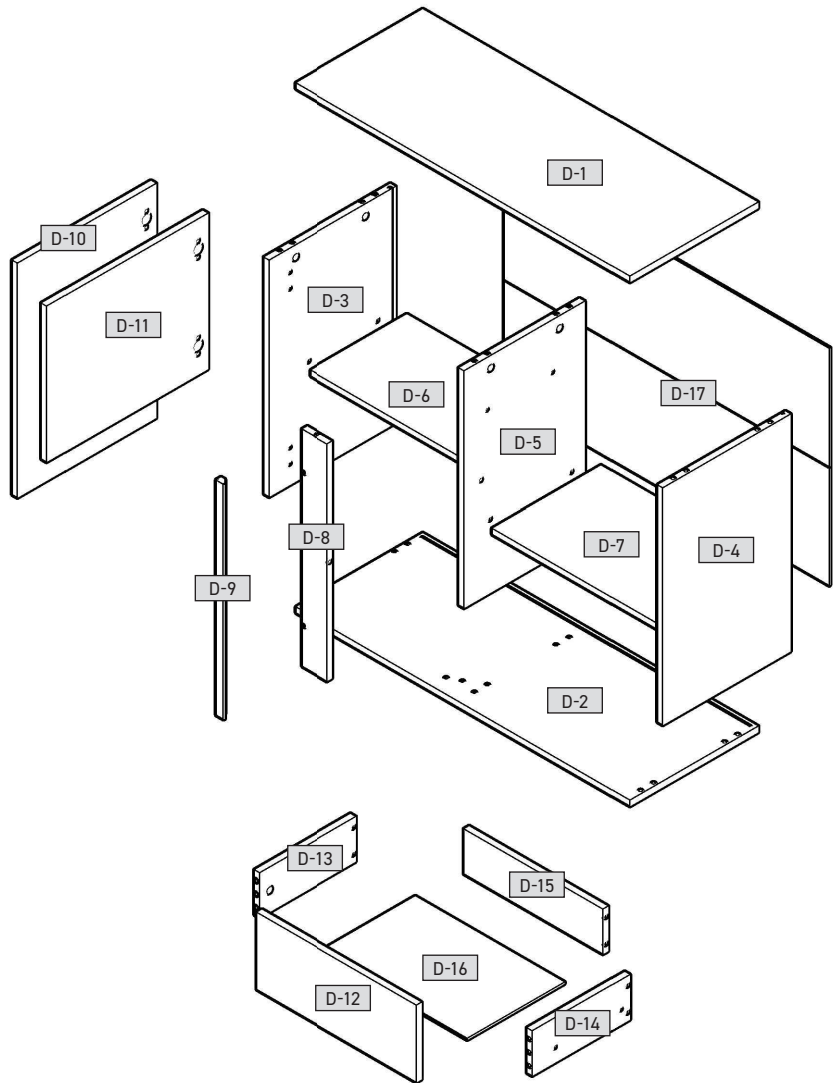
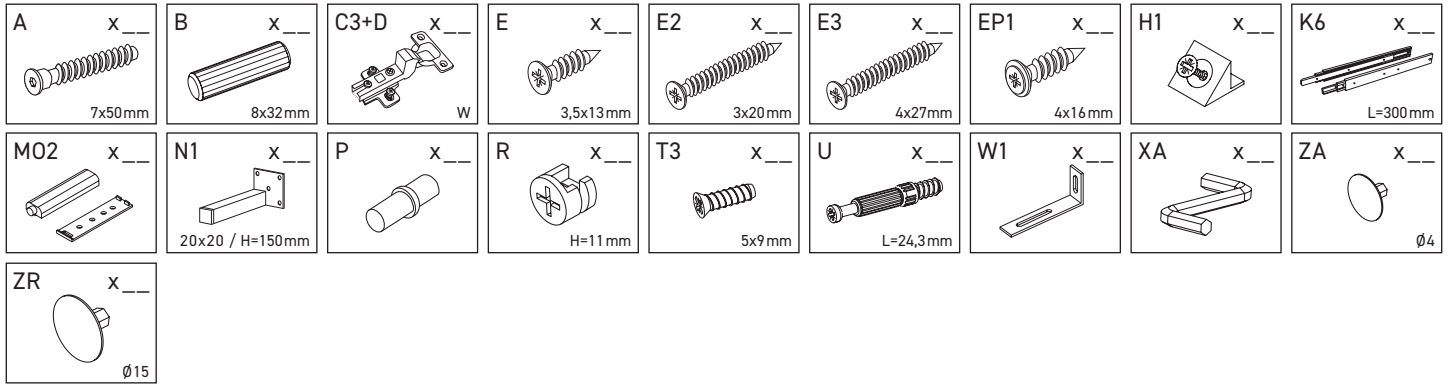


17



18





D-1	1033	395	16	x 1	1/1
D-2	1033	395	16	x 1	1/1
D-3	632	394	16	x 1	1/1
D-4	632	394	16	x 1	1/1
D-5	632	372	16	x 1	1/1
D-6	482	300	16	x 1	1/1
D-7	502	345	16	x 1	1/1
D-8	632	90	16	x 1	1/1
D-9	628	24	16	x 1	1/1
D-10	426	626	16	x 1	1/1
D-11	496	416	16	x 1	1/1
D-12	496	206	16	x 1	1/1
D-13	300	120	16	x 1	1/1
D-14	300	120	16	x 1	1/1
D-15	446	120	16	x 1	1/1
D-16	476	306	3	x 1	1/1
D-17	1014	646	3	x 1	1/1

