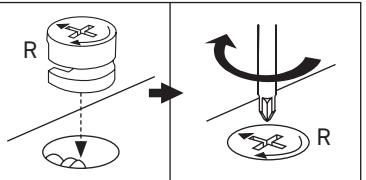
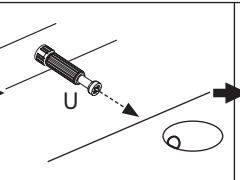
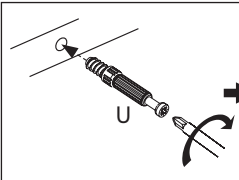
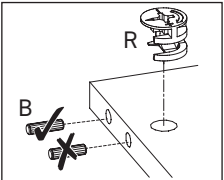
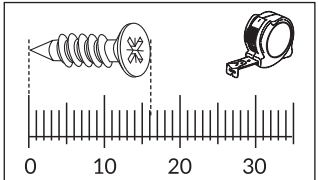
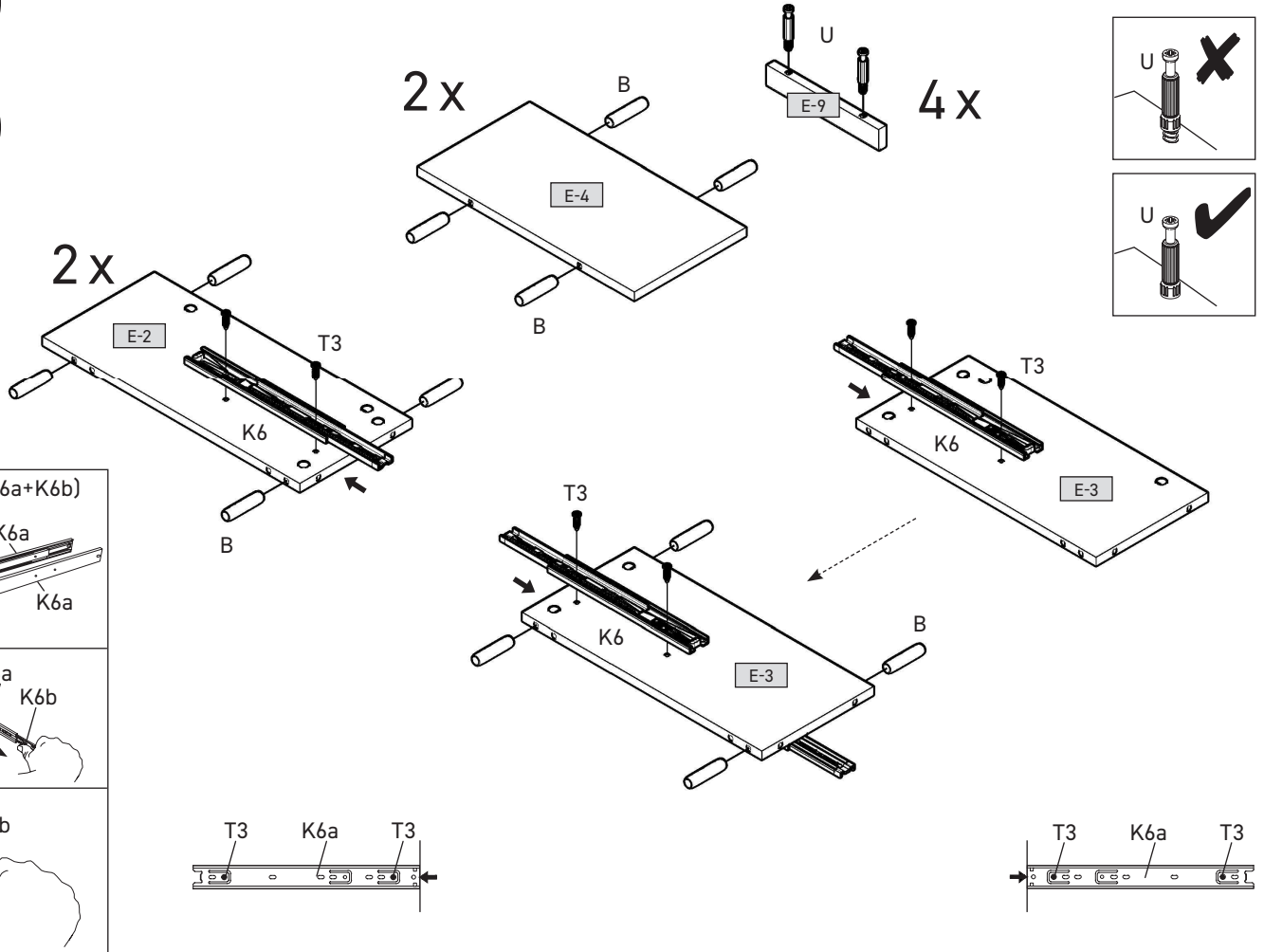
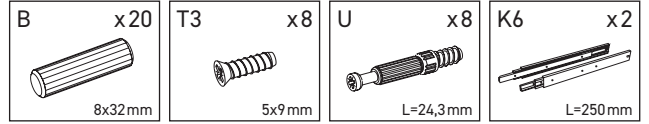


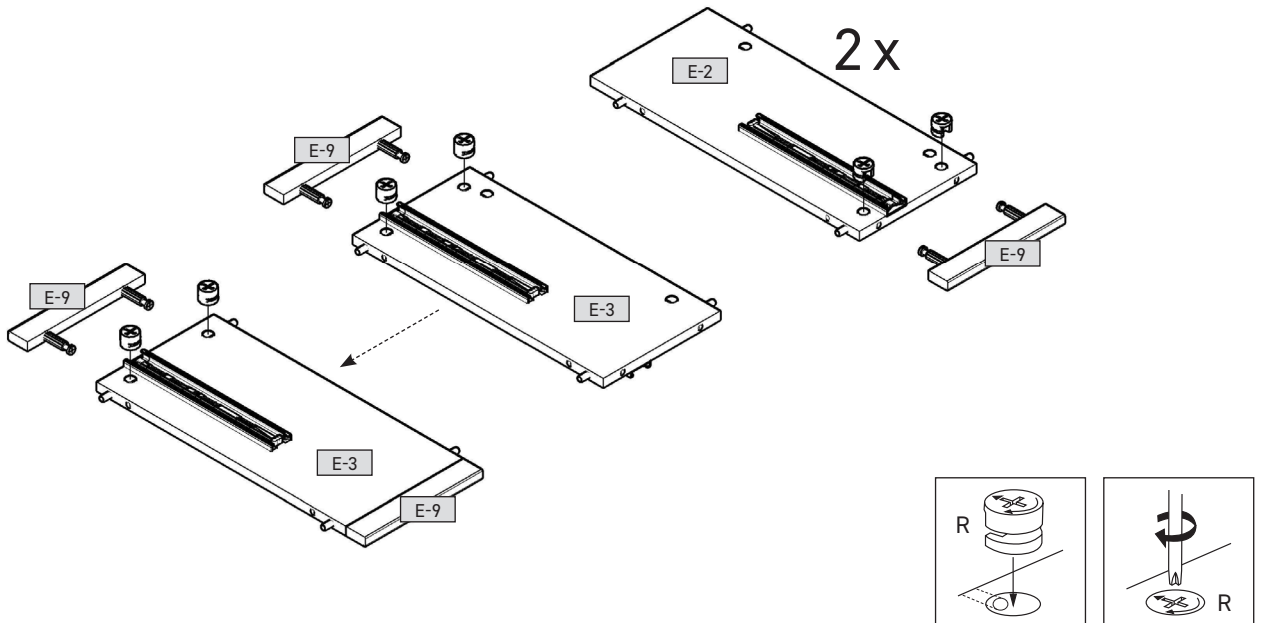
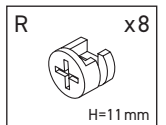
E-1a	1017	620	16	x 1	1/1
E-1b	1017	620	16	x 1	1/1
E-2	250	576	16	x 2	1/1
E-3	250	536	16	x 1	1/1
E-4	484	240	16	x 2	1/1
E-5	478	160	16	x 2	1/1
E-6	429	100	16	x 2	1/1
E-7a	300	100	16	x 2	1/1
E-7b	300	100	16	x 2	1/1
E-8	459	305	3	x 2	1/1
E-9	250	40	16	x 4	1/1
E-10	484	38	16	x 4	1/1



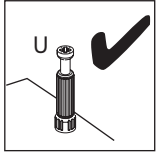
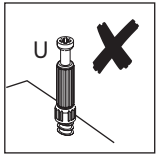
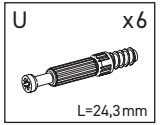
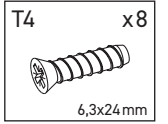
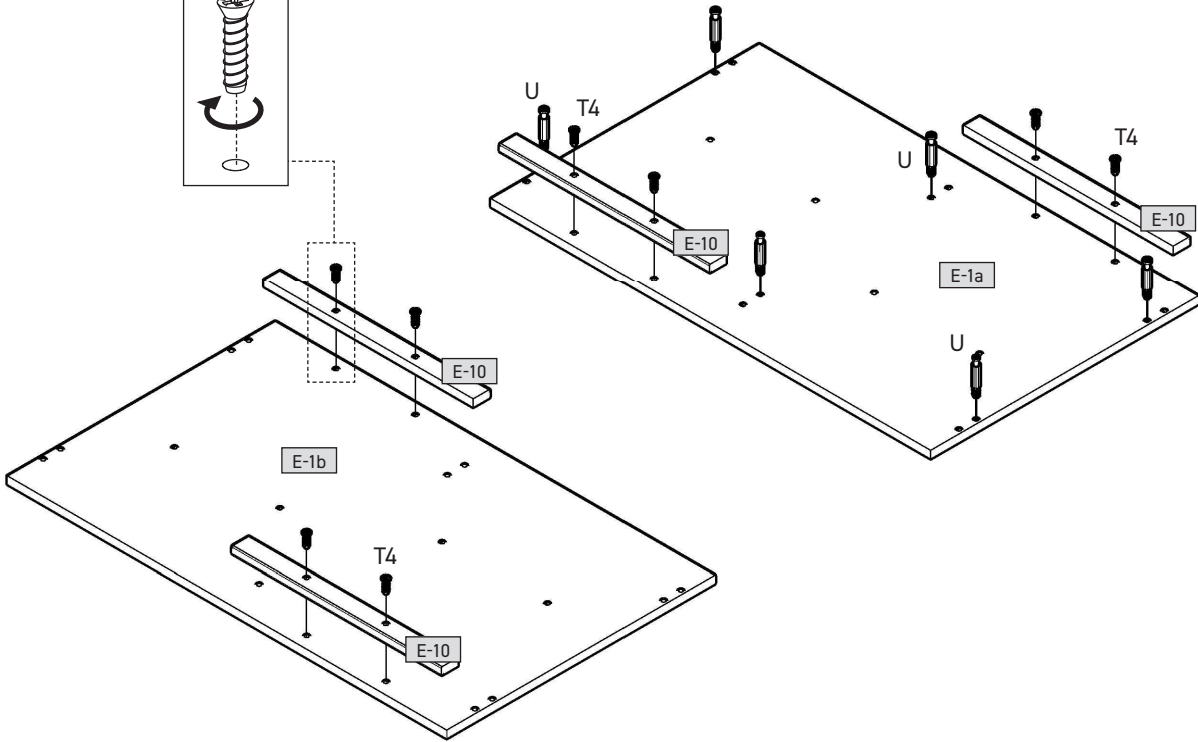
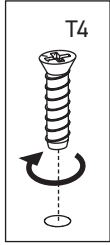
1



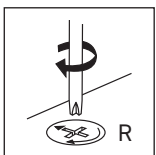
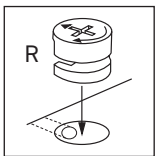
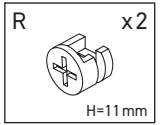
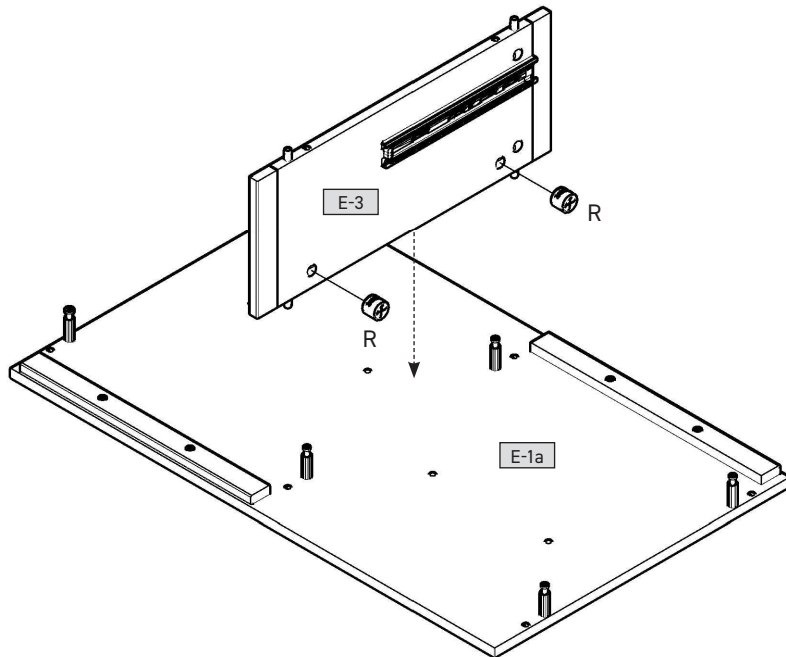
2



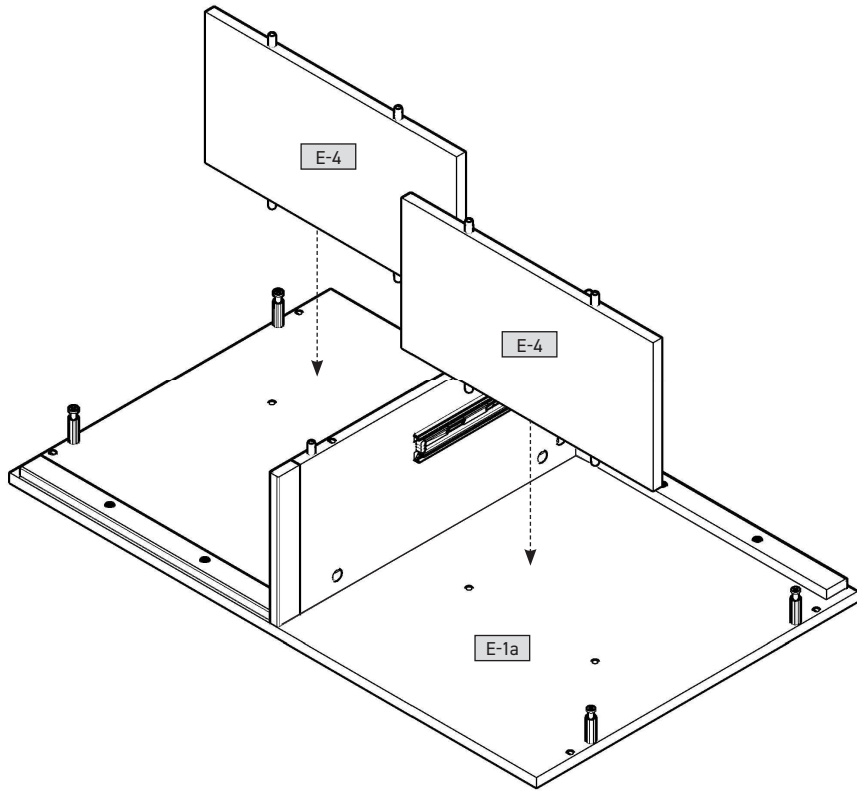
3



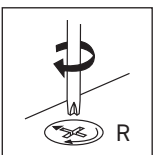
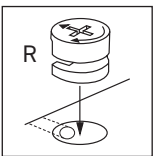
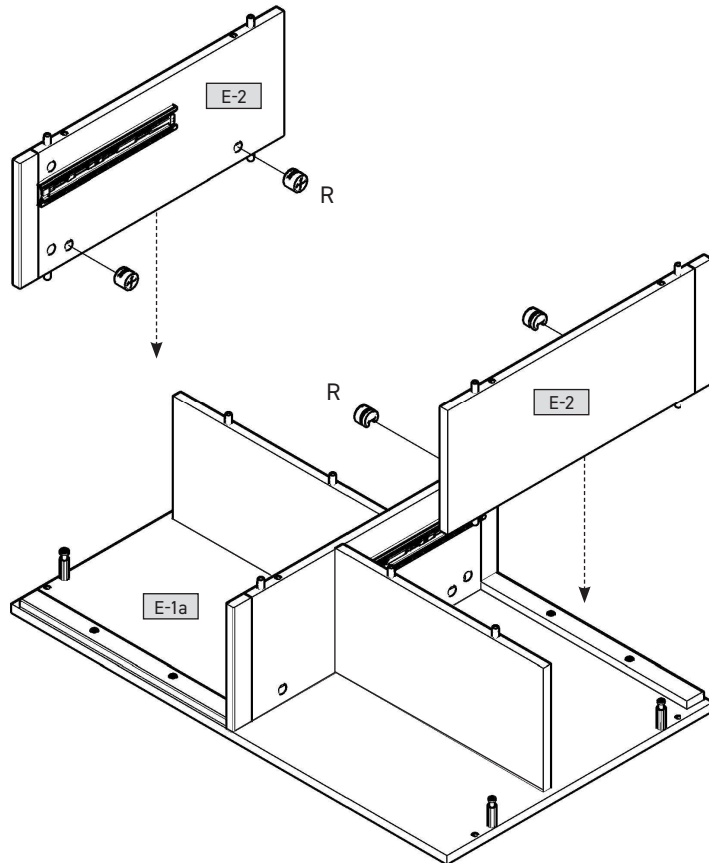
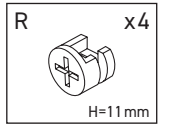
4



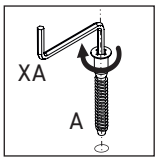
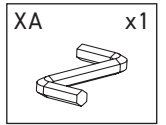
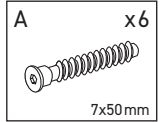
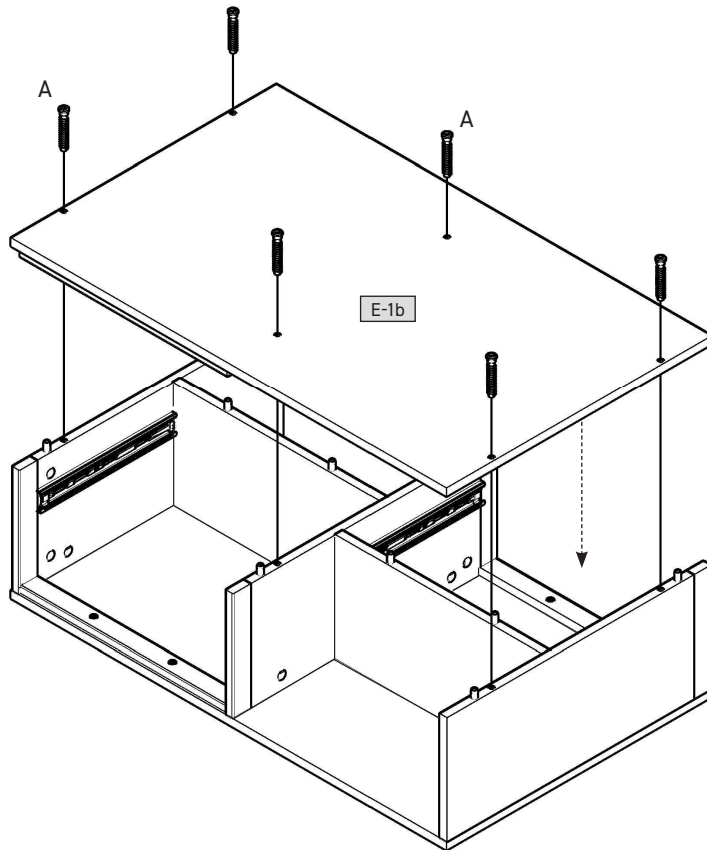
5



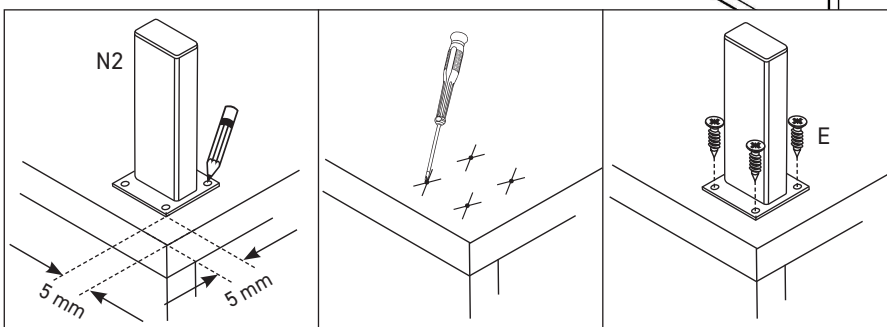
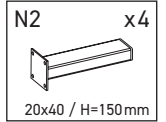
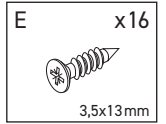
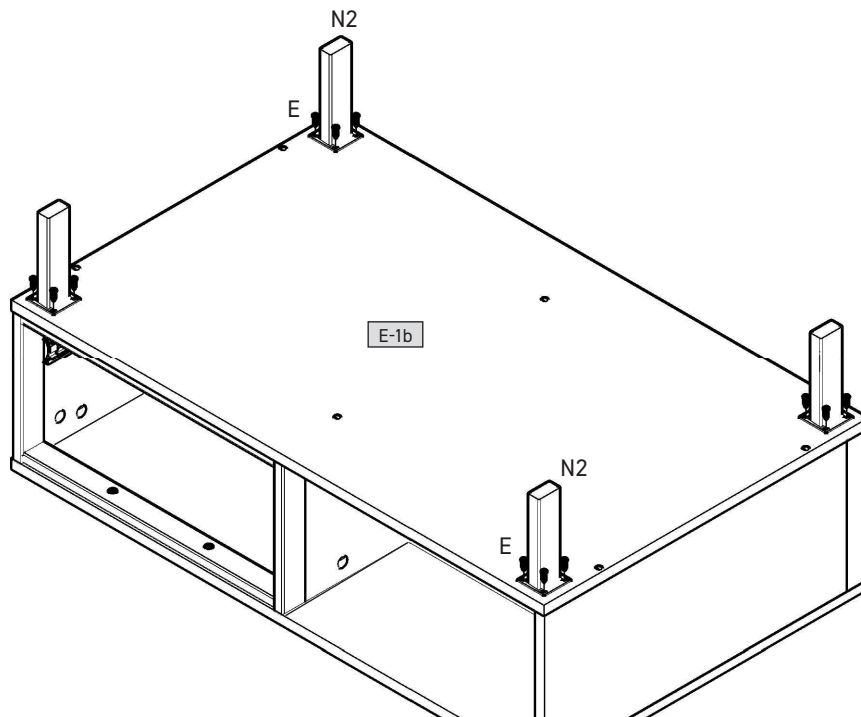
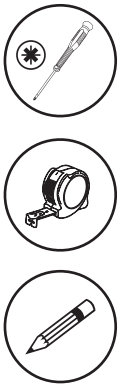
6



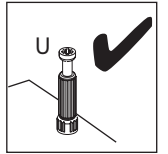
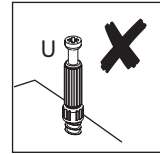
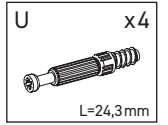
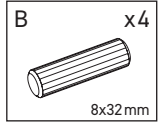
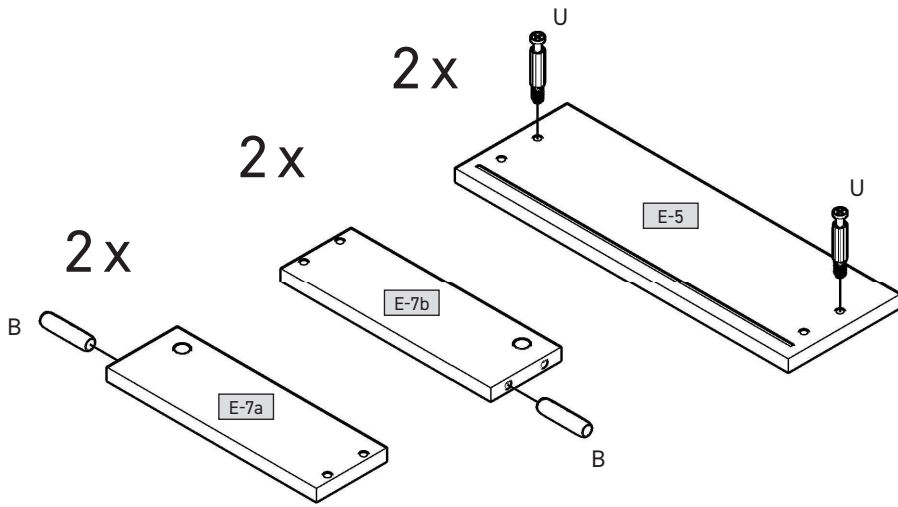
7



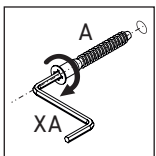
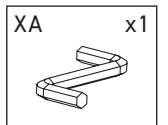
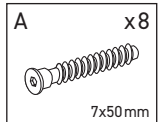
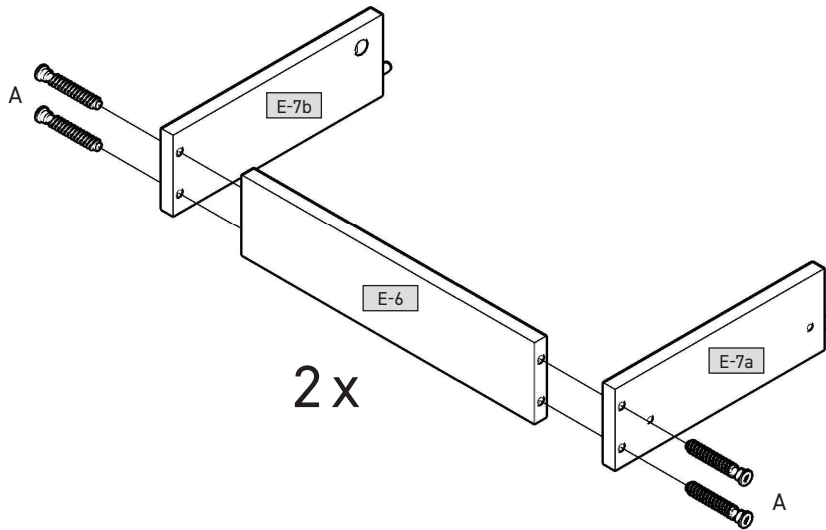
8



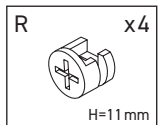
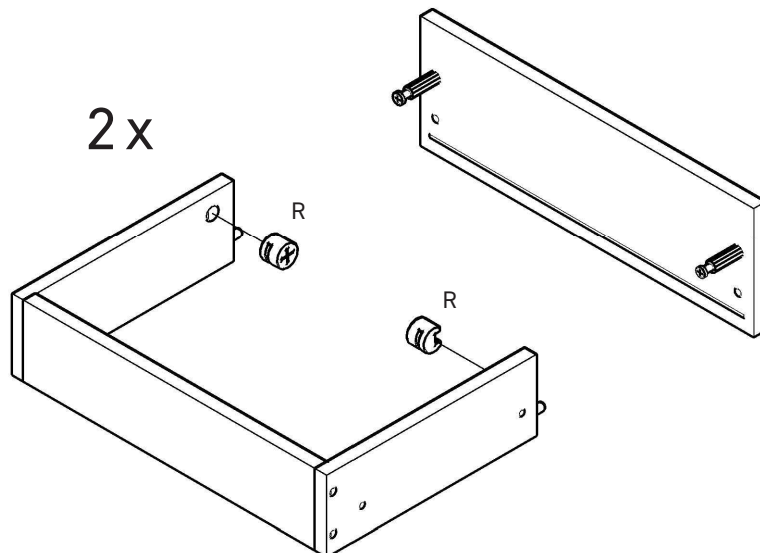
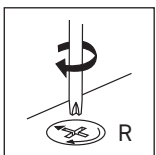
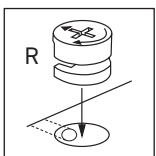
9



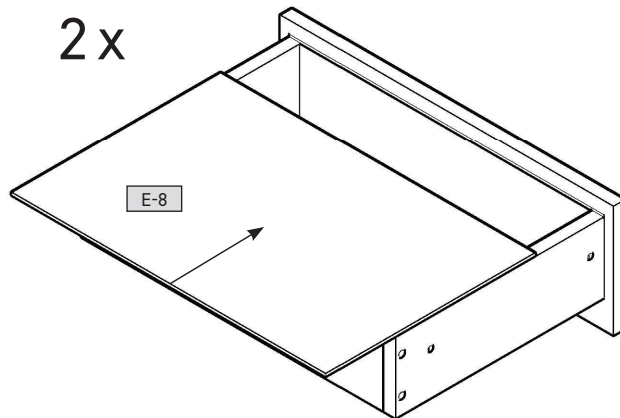
10



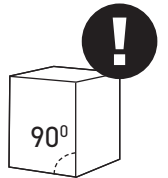
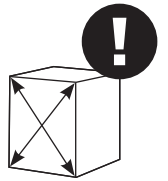
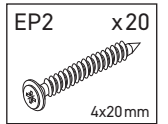
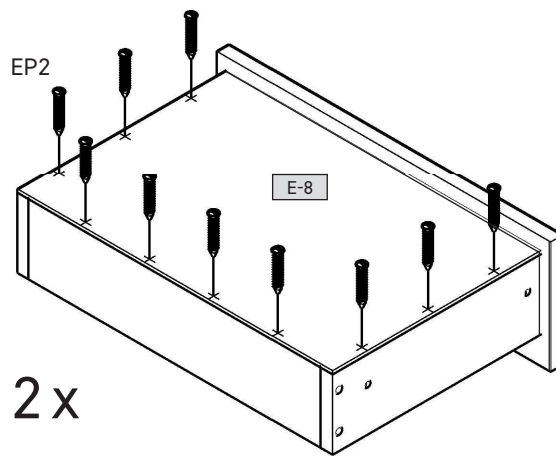
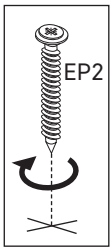
11



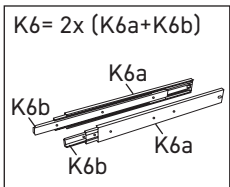
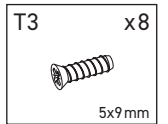
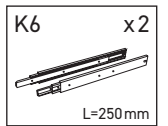
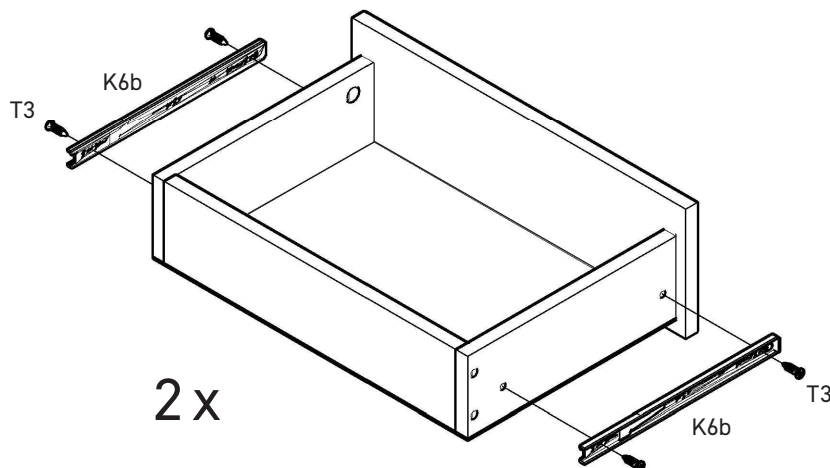
12



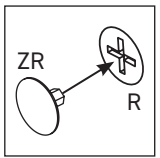
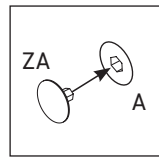
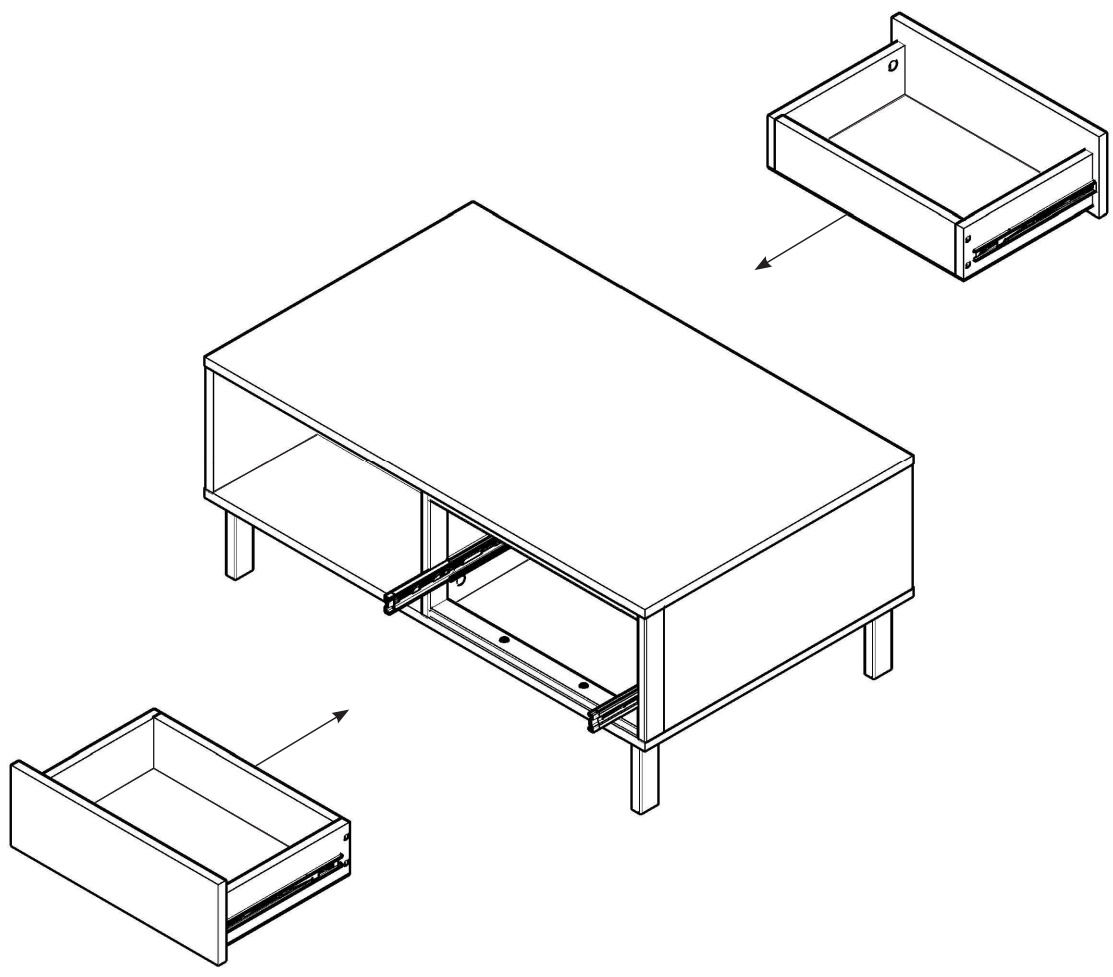
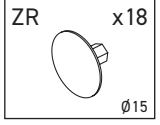
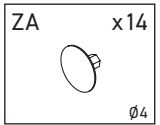
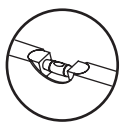
13

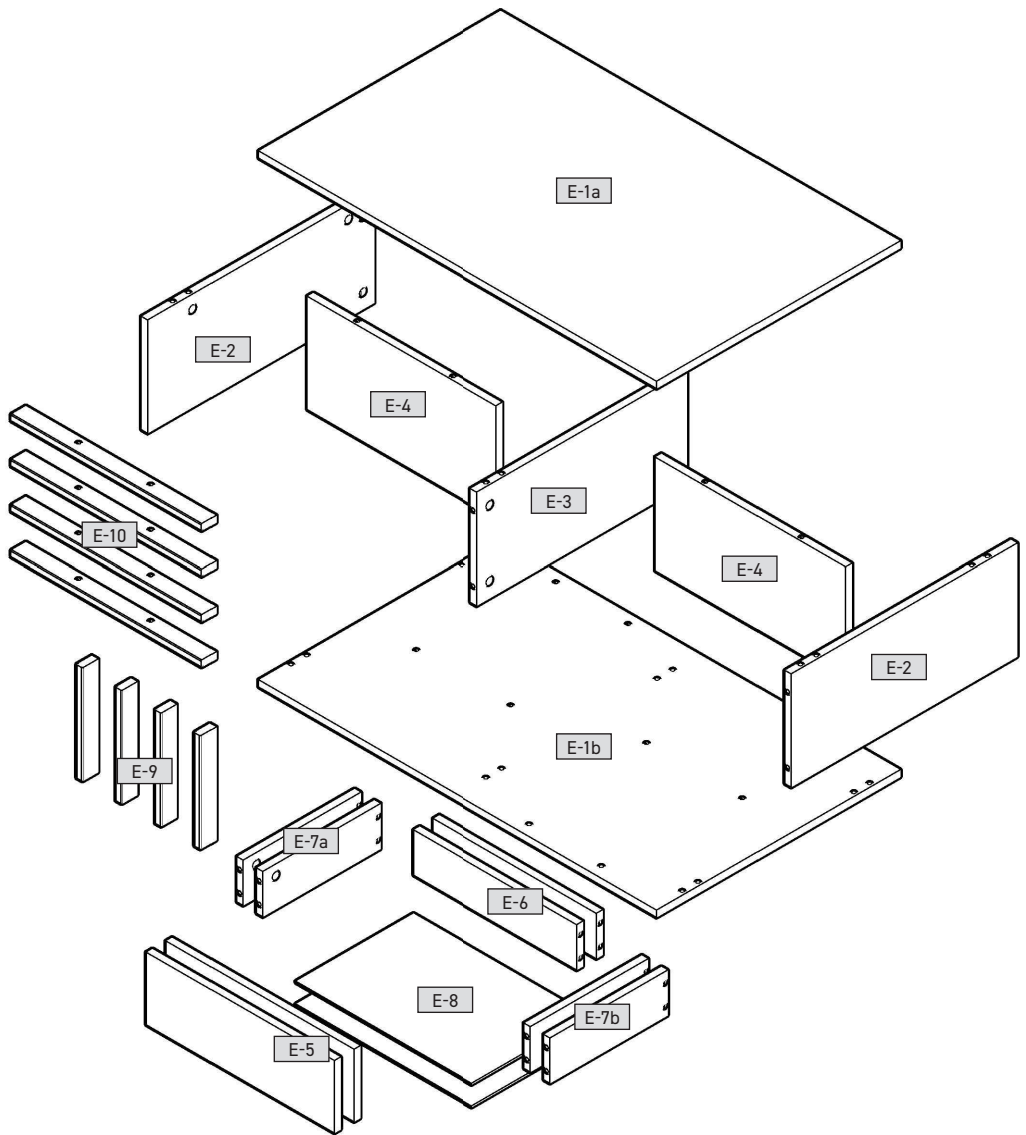
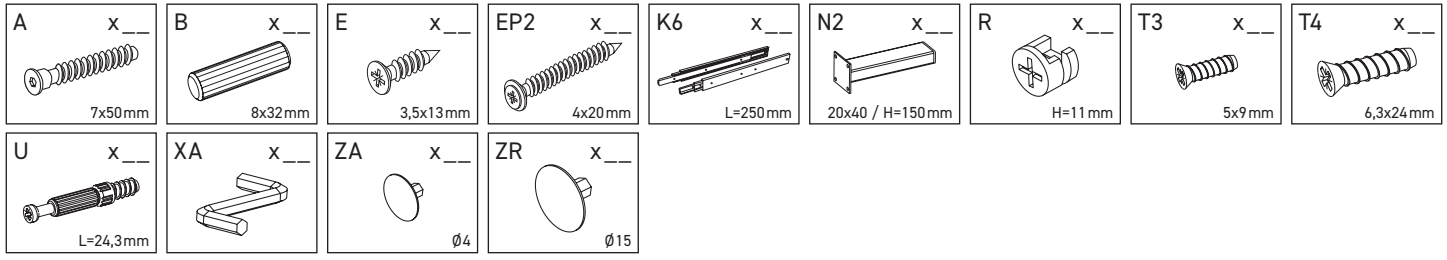


14



15





E-1a	1017	620	16	x 1	1/1
E-1b	1017	620	16	x 1	1/1
E-2	250	576	16	x 2	1/1
E-3	250	536	16	x 1	1/1
E-4	484	240	16	x 2	1/1
E-5	478	160	16	x 2	1/1
E-6	429	100	16	x 2	1/1
E-7a	300	100	16	x 2	1/1
E-7b	300	100	16	x 2	1/1
E-8	459	305	3	x 2	1/1
E-9	250	40	16	x 4	1/1
E-10	484	38	16	x 4	1/1

