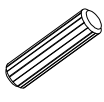
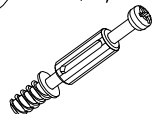
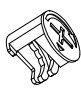
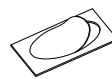


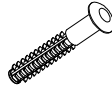

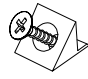

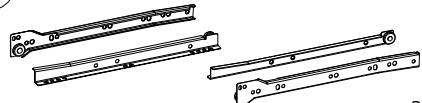
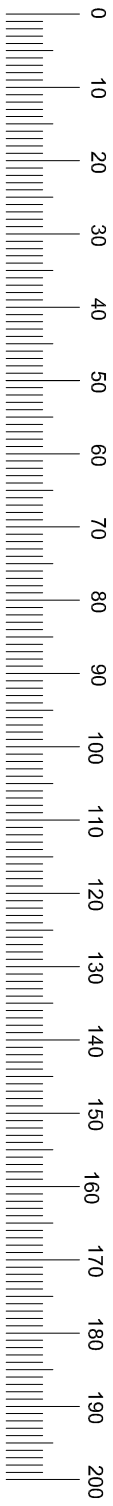
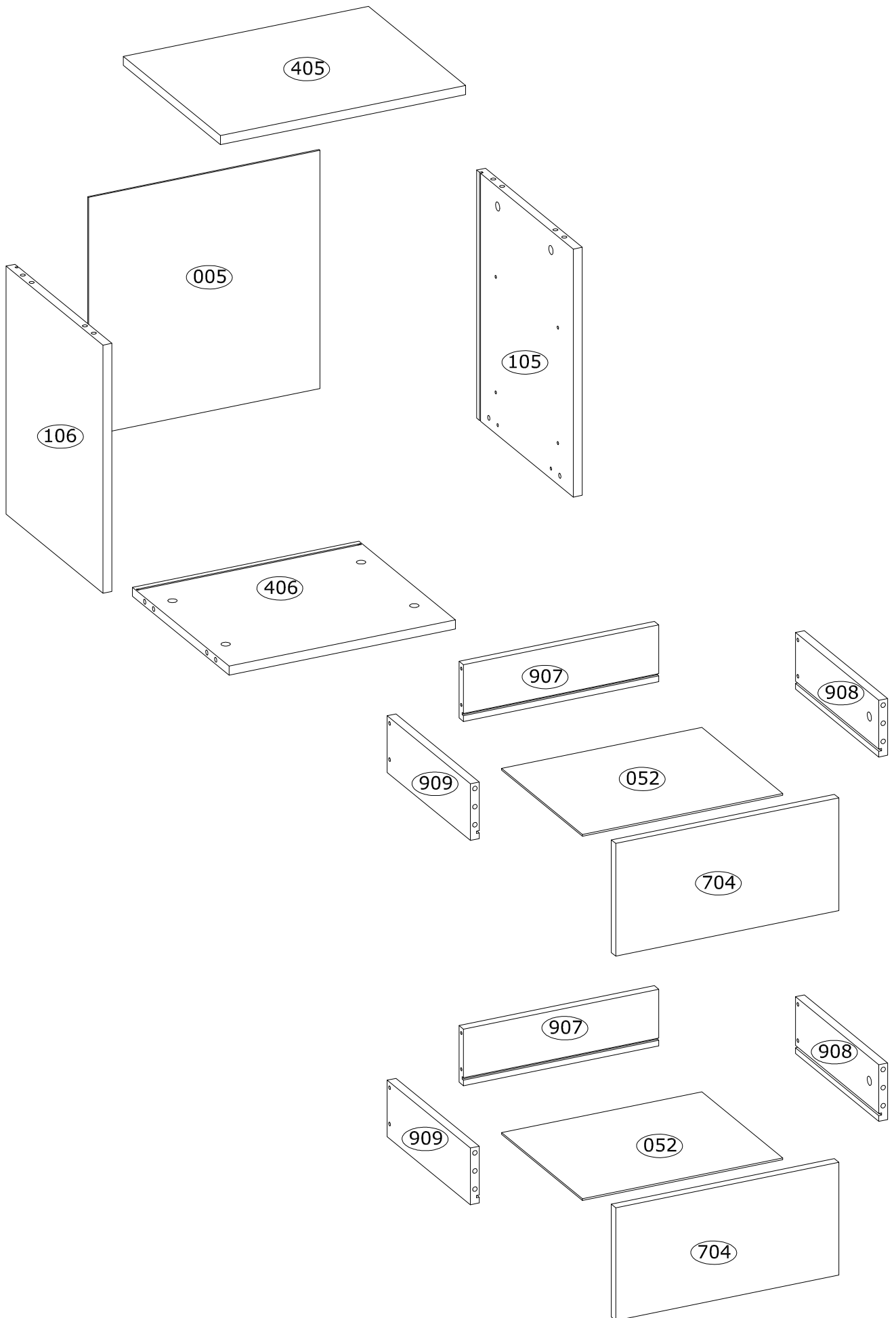


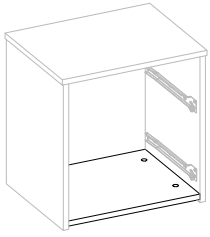
A $\varnothing 8 \times 30$ mm  x32 3989	B $\varnothing 6,5 \times 36,5$ mm  x24 4066	C $\varnothing 15 \times 12$ mm  x24 3996	D $\varnothing 20$ mm  x8 136239	E $\varnothing 3,5 \times 16$ mm  x24 3918
F $6,0 \times 13$ mm  x16 3877	G $\varnothing 12 \times 42$ mm  x16 IN01157	H  x8 70313	I $15 \times 14 \times 11$ mm  x8 4044	J 27×34 L-120mm  x4 209928
K $L - 300$ mm  x4 3802				



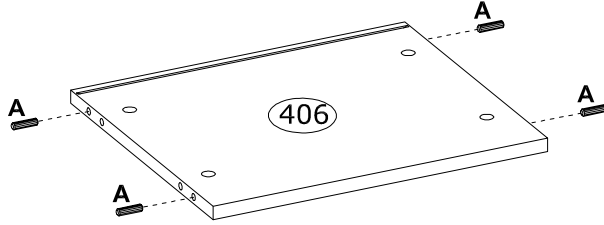


1

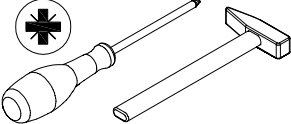
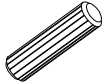
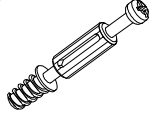

A	$\varnothing 8 \times 30$ mm		x8 3989	
----------	------------------------------	---	-------------------	--

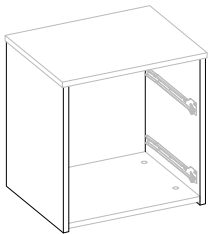


x2

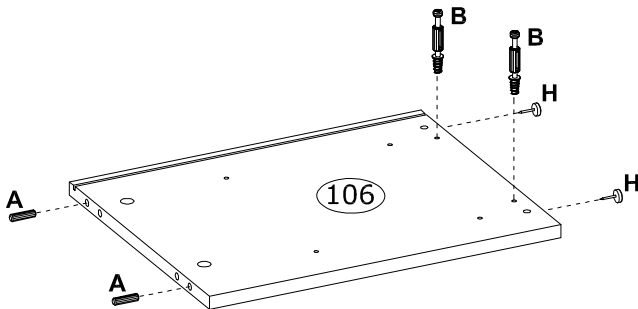
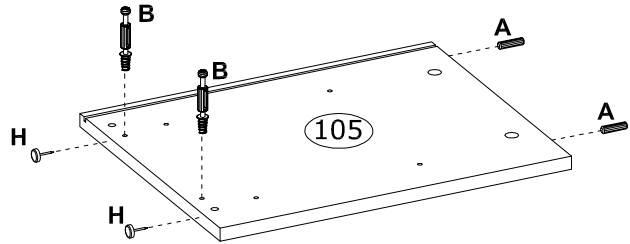


2

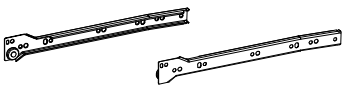


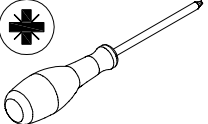
A	$\varnothing 8 \times 30$ mm	B	$\varnothing 6,5 \times 36,5$ mm	H	
	x8 3989		x8 4066		x8 70313

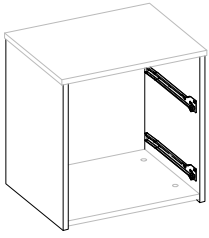


x2

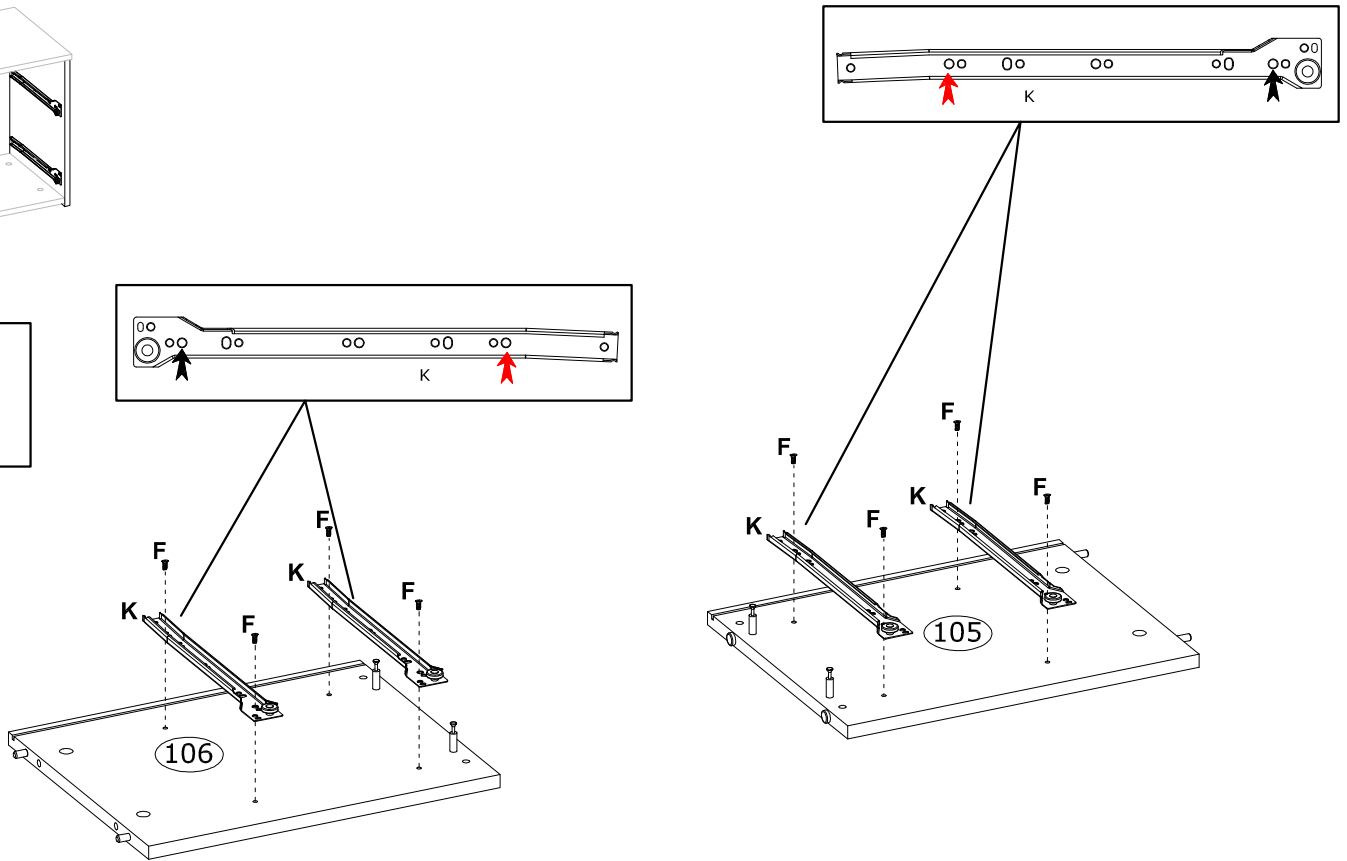


3



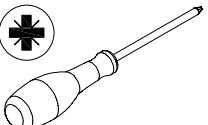
K L- 300 mm  x4 3802	F 6,0x13 mm  x16 3877	 
--	---	--

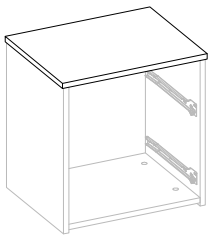


x2

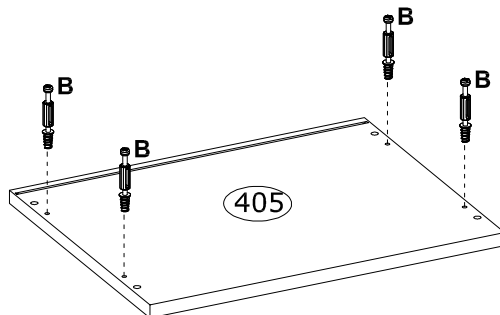


4


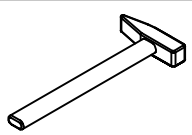
B Ø6,5x36,5 mm  x8 4066	 
---	--

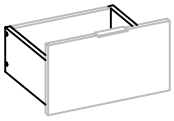


x2

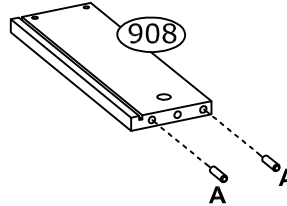
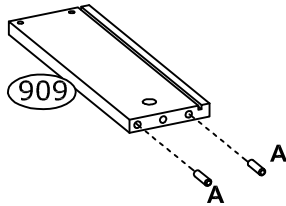


5

A  Ø8x30 mm x16 3989	
--	--

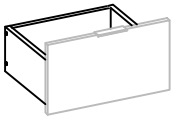


x4

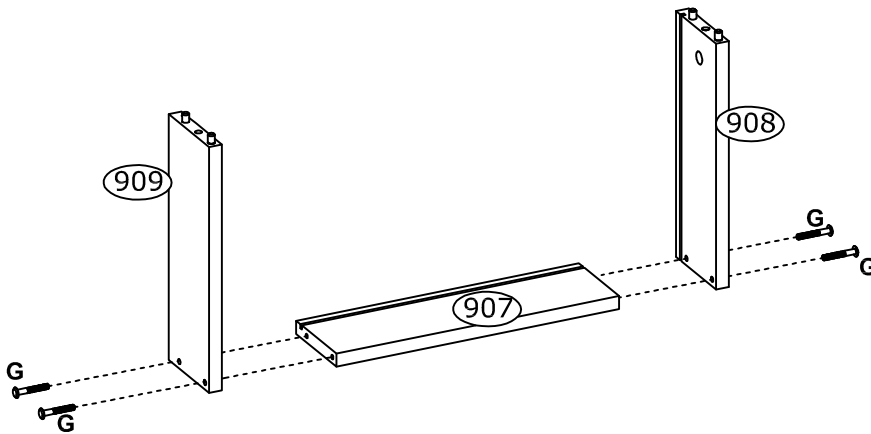


6

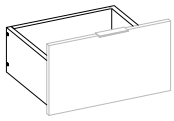
G  Ø12x42 mm x16 IN01157	
--	---



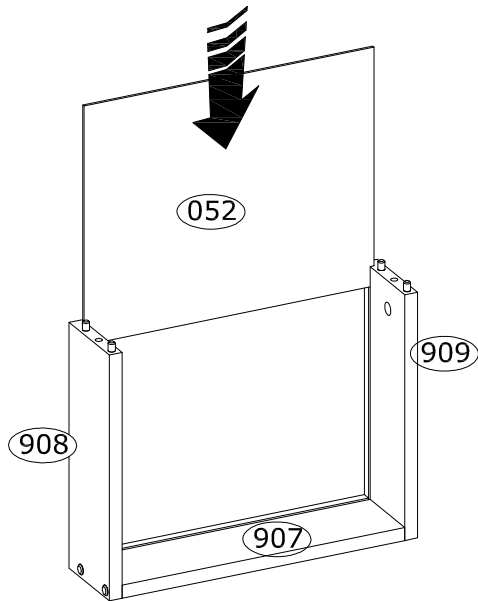
x4



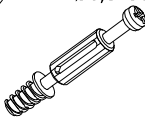


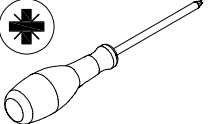
7

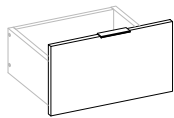


x4

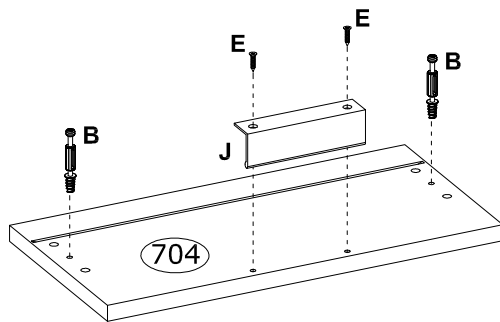


8

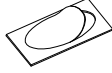
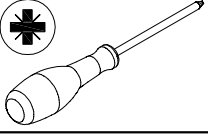
B $\varnothing 6,5 \times 36,5$ mm  x8 4066	J 27X34 L-120mm  x4 209928	E $\varnothing 3,5 \times 16$ mm  x8 3918	
---	--	---	---

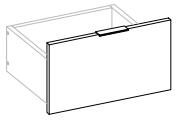


x4

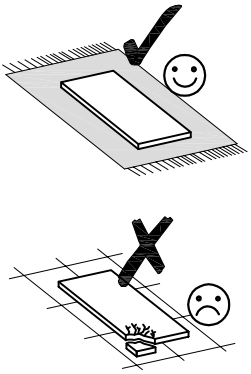
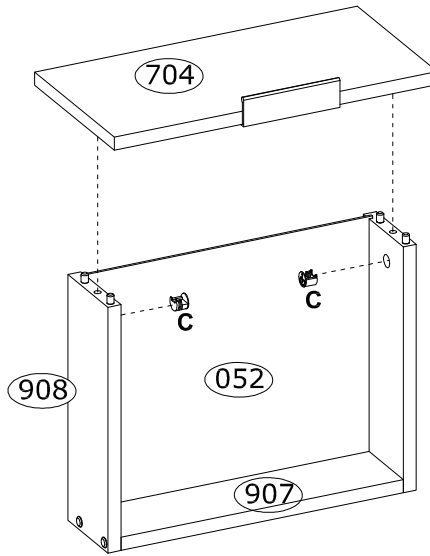



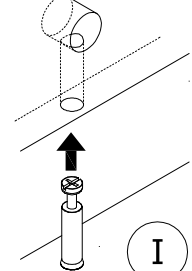
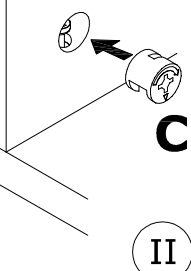
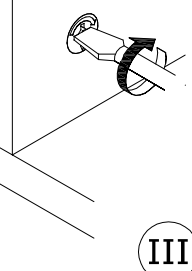
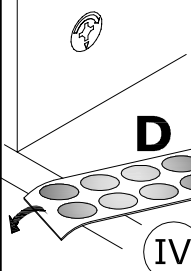
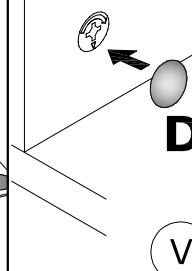
9

C Ø15x12 mm  x8 3996	D Ø20 mm  x8 136239	
--	---	--

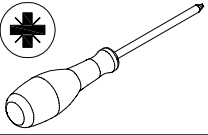


x4

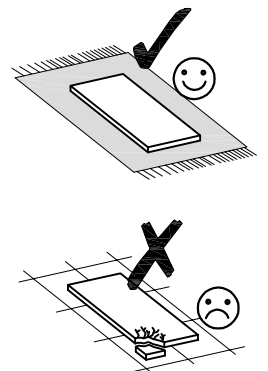
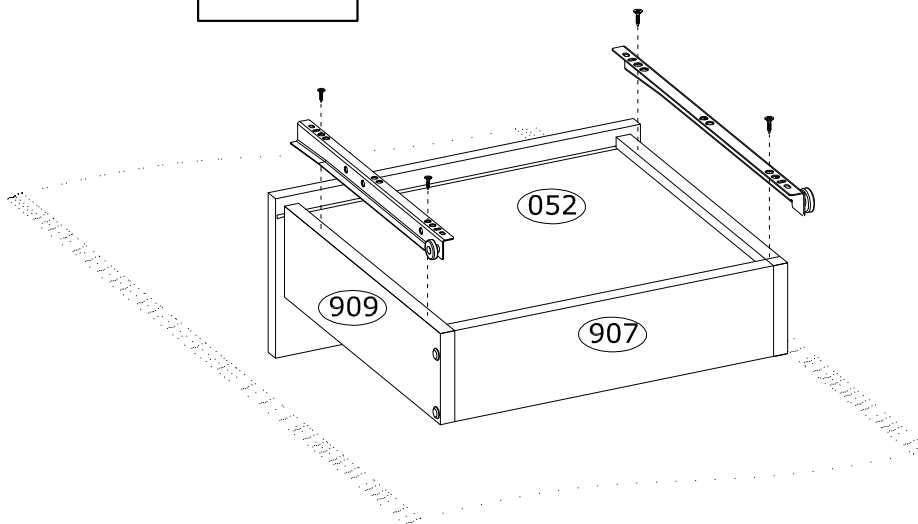


	I 	II 	III 	IV 	V 
--	--	---	---	---	--

10

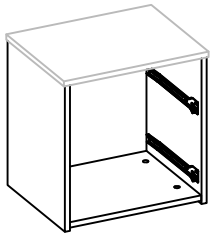
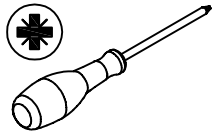


x4

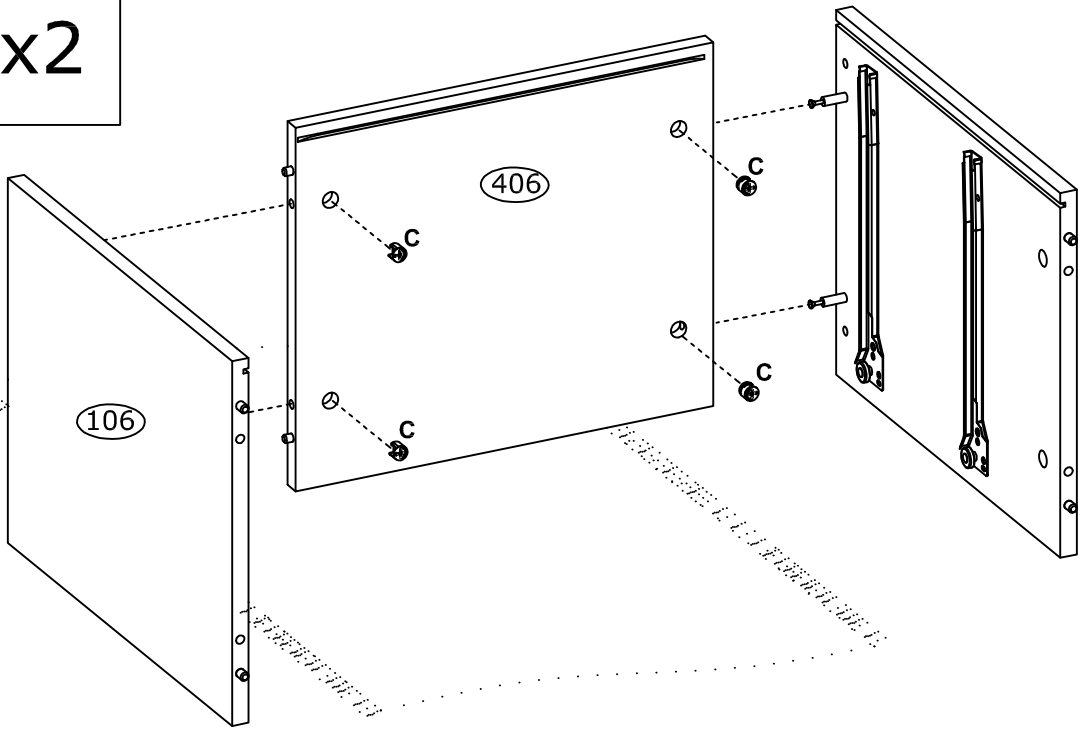
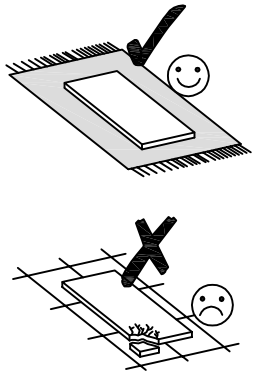


11

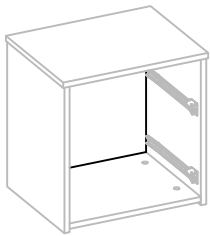
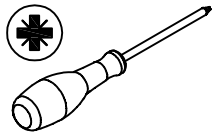
C
Ø15x12 mm
x8
3996



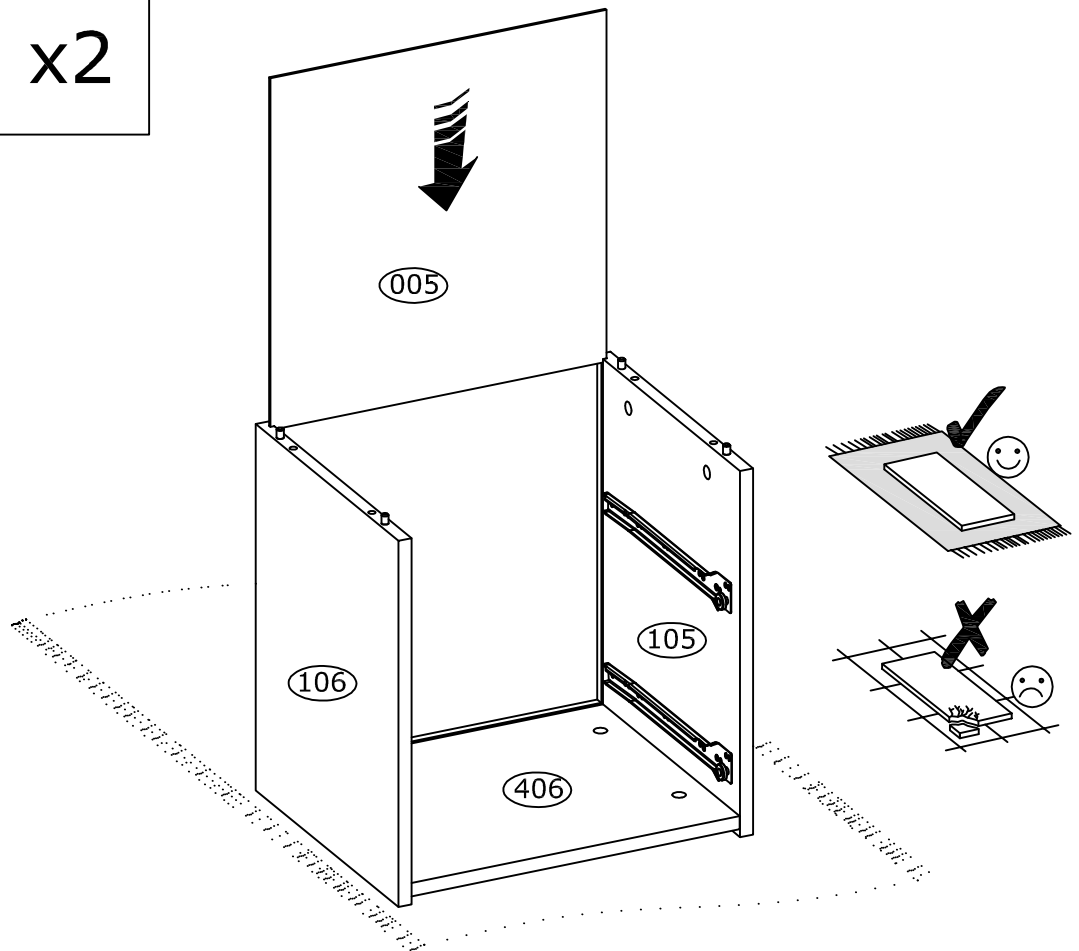
x2



12

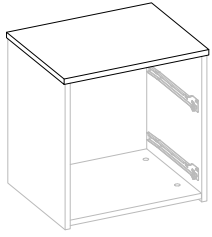
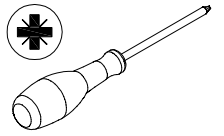


x2

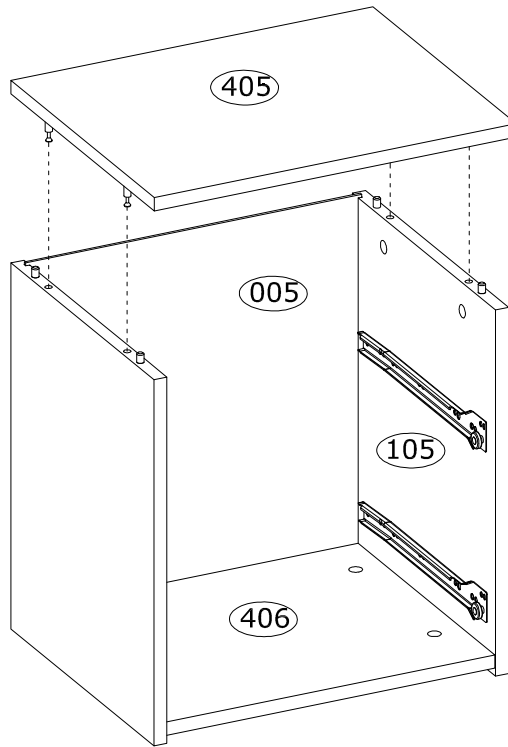


13

C
Ø15x12 mm
x8
3996

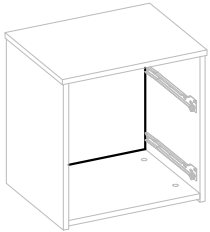
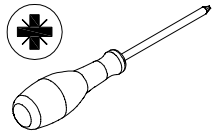


x2

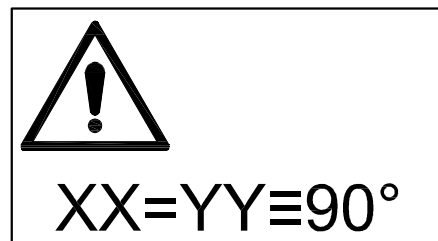
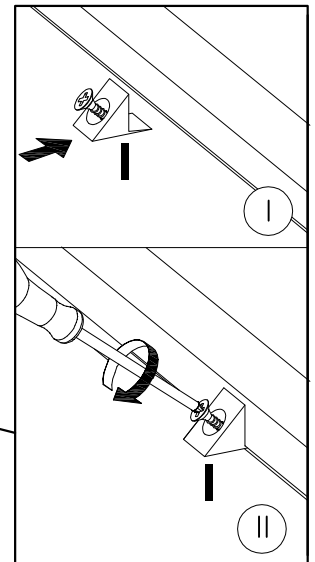
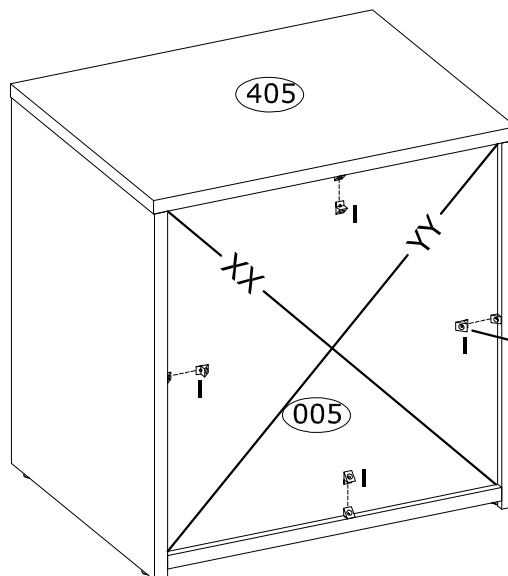


14

I
15x14x11 mm
x8
4044



x2



$XX = YY \cong 90^\circ$

