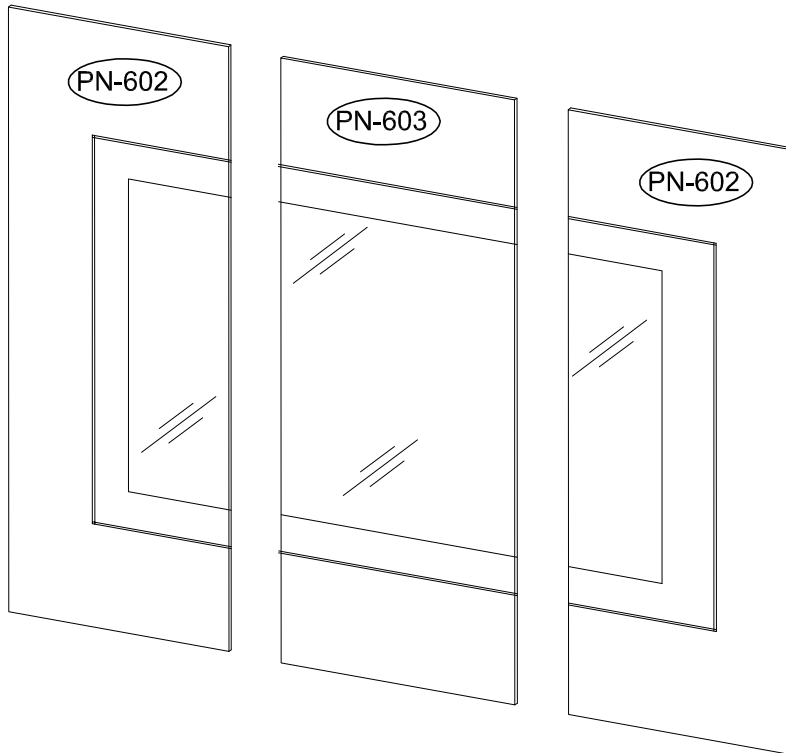
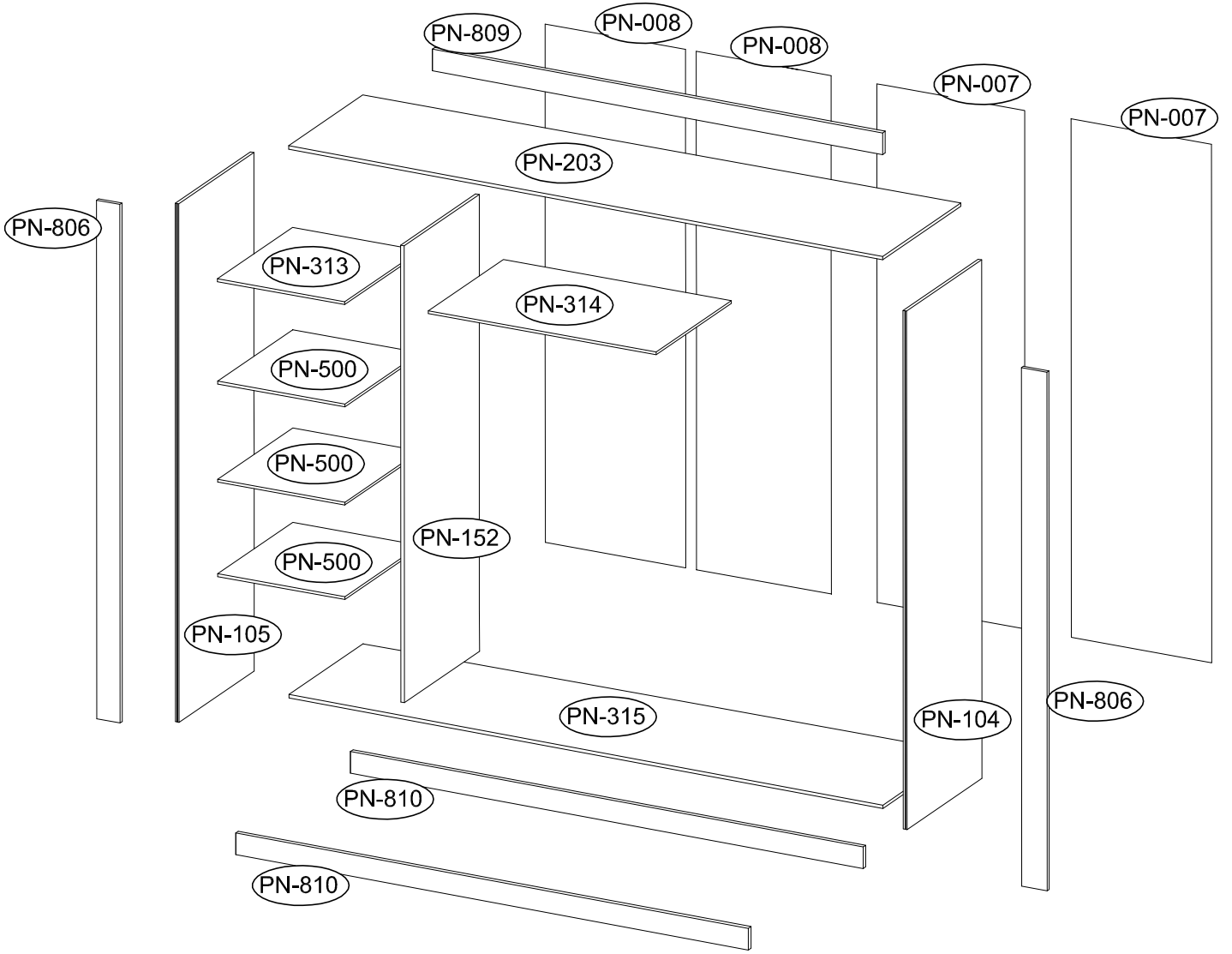
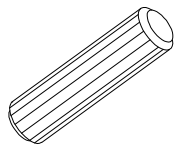


DR

L-1194 mm

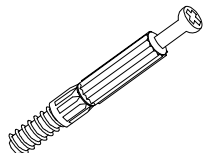


3989 x28



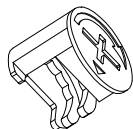
Ø8x30 mm

4066 x16



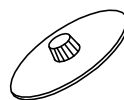
Ø6,5x36,5 mm

3996 x20



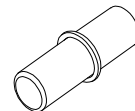
Ø15x12 mm

136236 x20



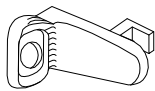
Ø15 mm

4017 x16



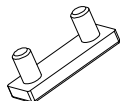
Ø5x16 mm

4079 x9



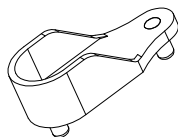
30x25x16 mm

4057 x8



48x16x19.5 mm

4069 x2



3912 x2



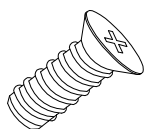
Ø3,0x13 mm

3878 x9



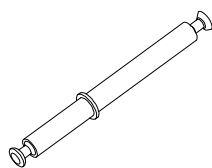
Ø6,3x11 mm

3879 x6



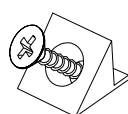
Ø6,3x13 mm

4062 x2



Ø6,5x76 mm

4044 x22



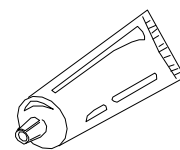
15x14x11 mm

3923 x42



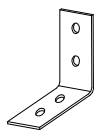
Ø4,0x16 mm

3983 x1



10 g

3981 x4



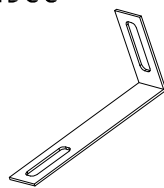
40x40x20 mm

3912 x22



Ø3,0x13 mm

71900 x2



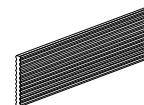
75x15x32 mm

3918 x20



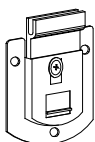
Ø3,5x16 mm

3993 x15

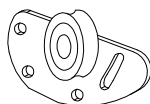


L-150 x 4 mm

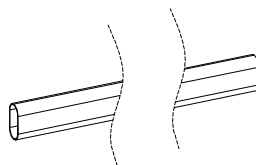
IN01006 x6



IN01007 x6

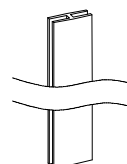


IN00081 x1



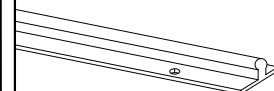
L-1194 mm

IN00378 x2



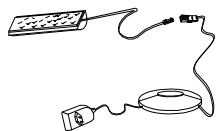
L-2015 mm

81150 x4



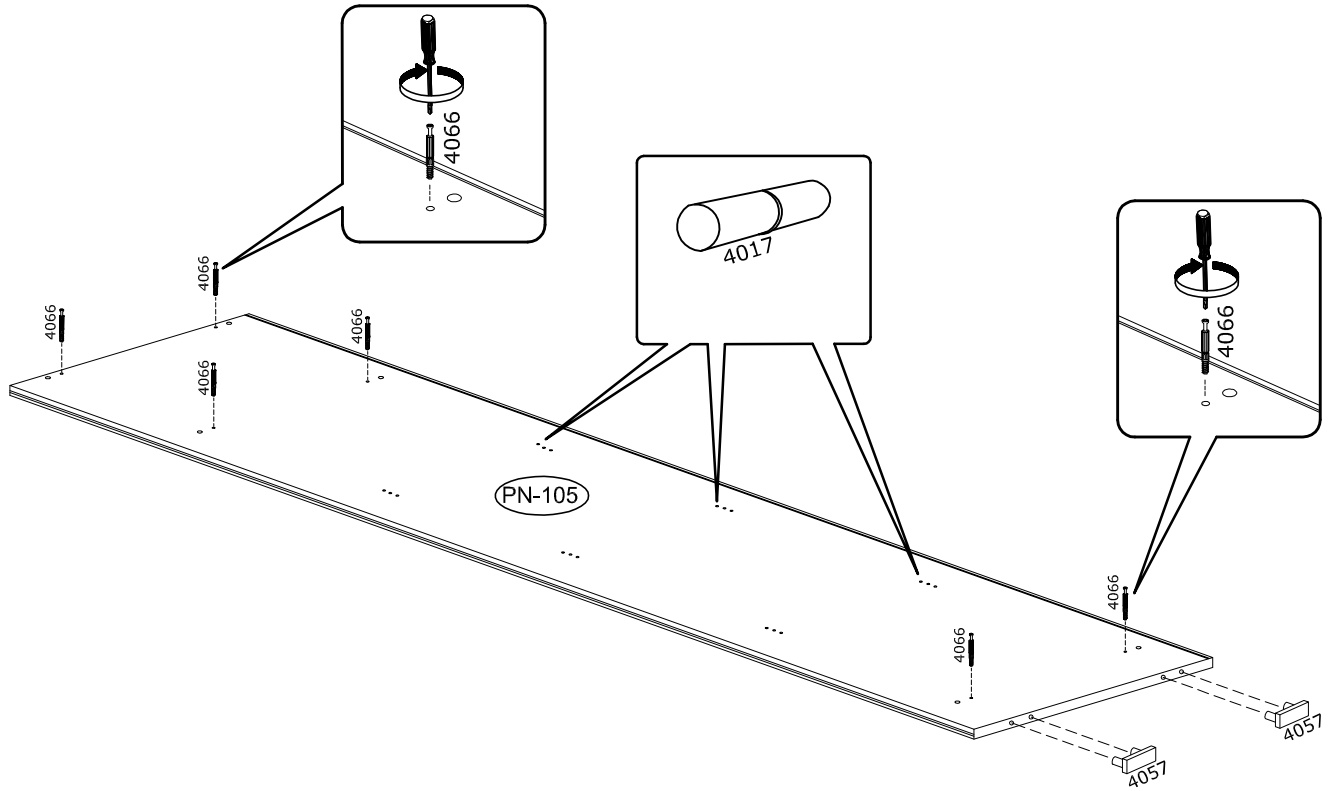
L-1964mm

IN00506 x1


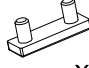





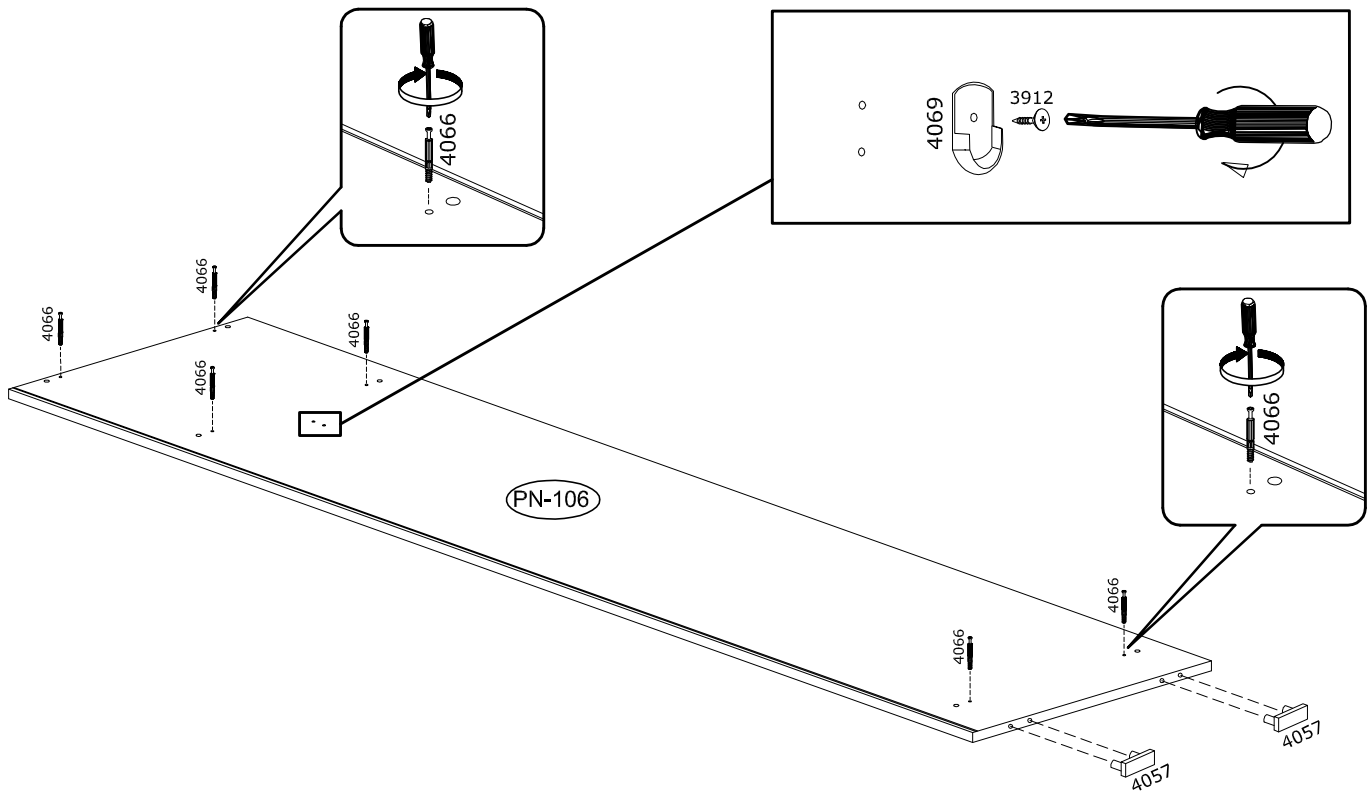
# 1

4066  x6	4057  x2	4017  x6		
--	--	--	--	--

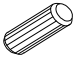

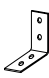

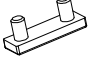

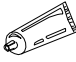


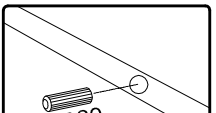


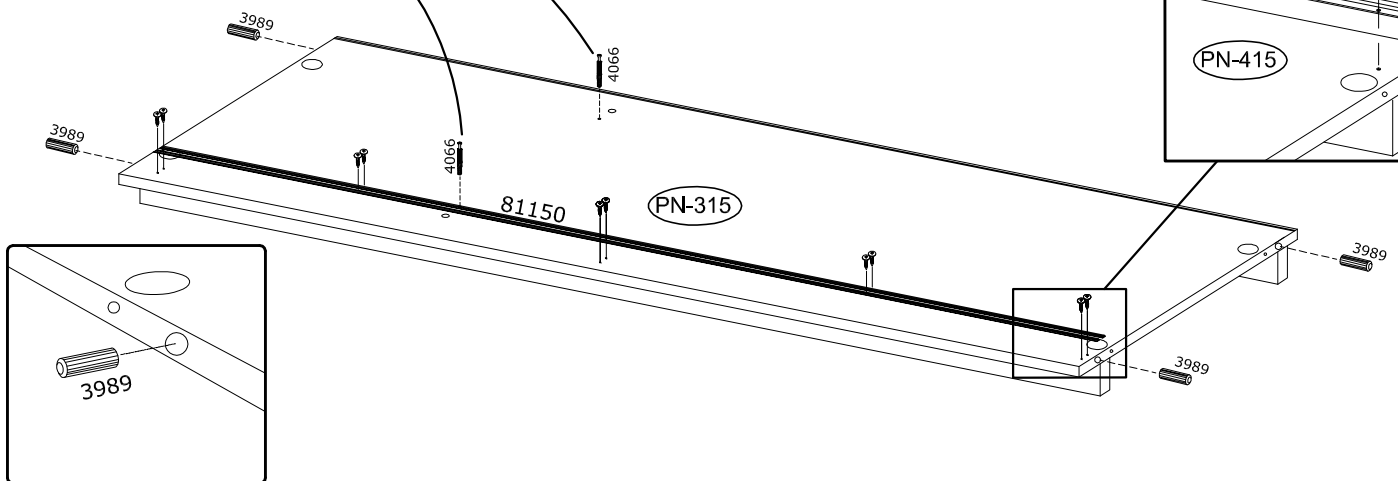
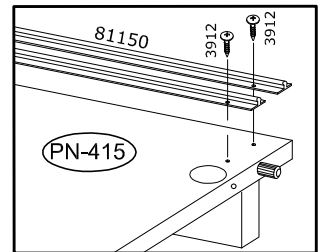
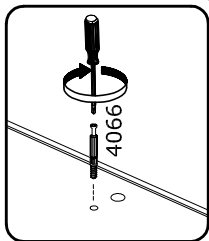
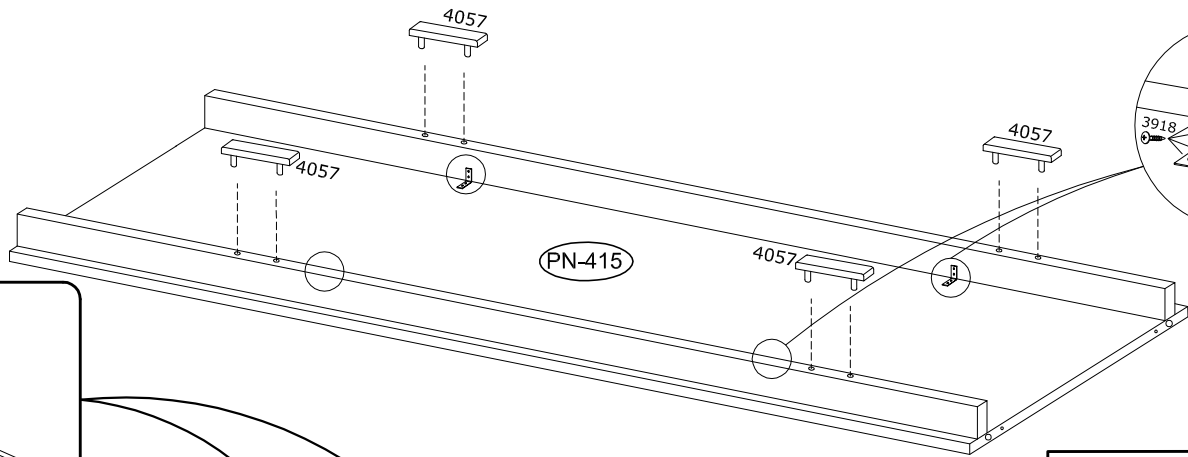
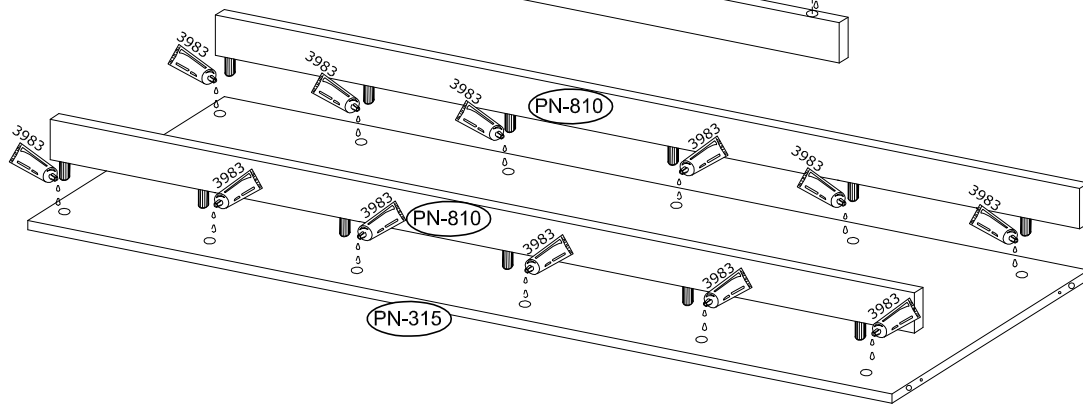
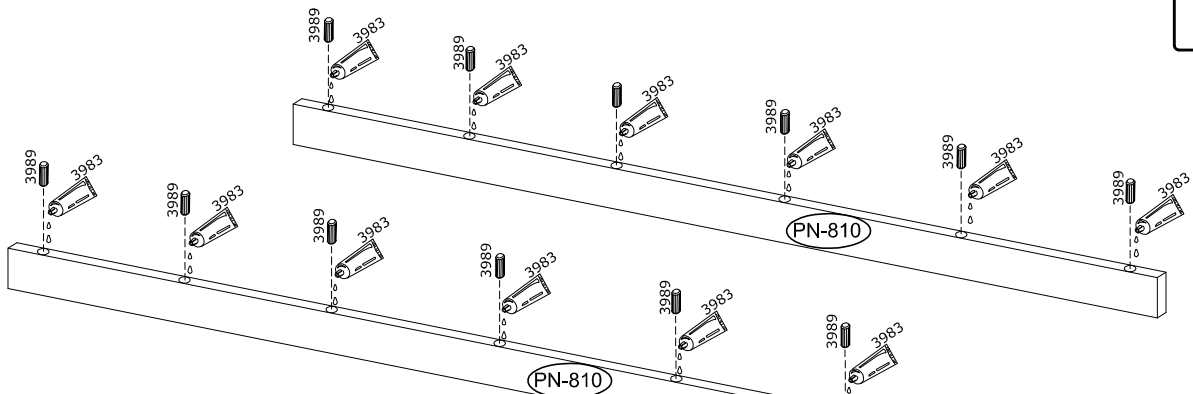
# 2

4066  x6	4057  x2	4069  x2	3912  x2		
---	---	---	---	--	---

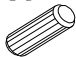
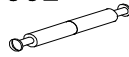
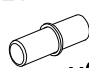


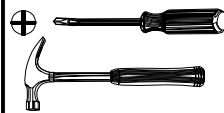


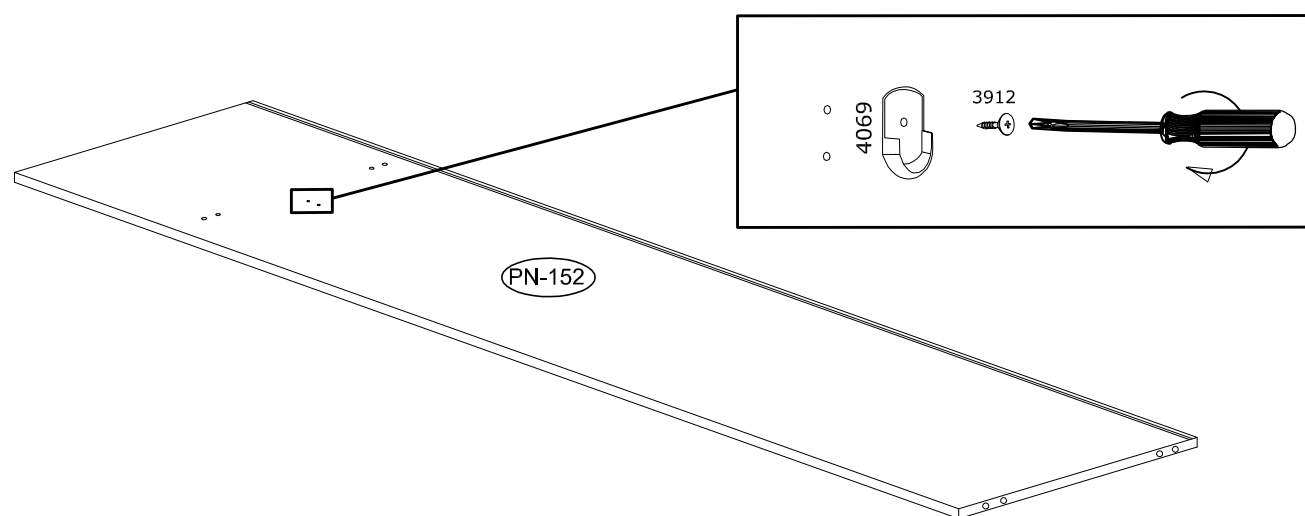
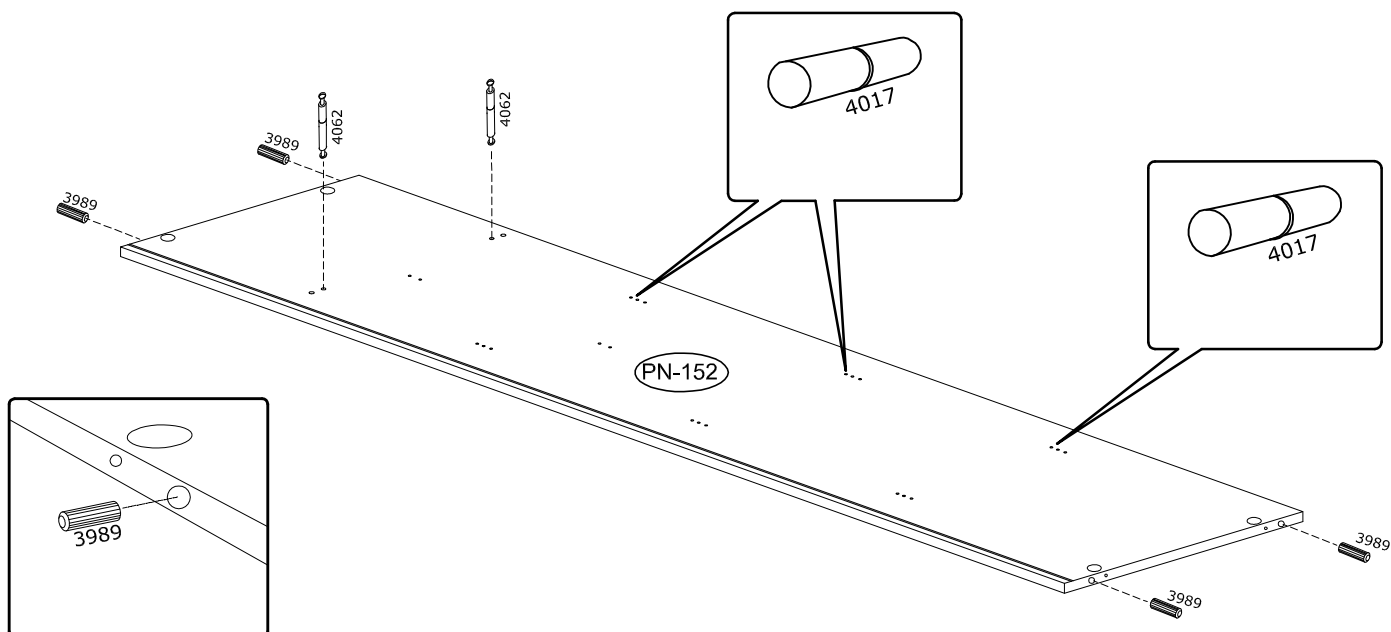
# 3

3989  x16	4066  x2	3981  x4	3918  x16	4057  x4	
3983  x1	81150  x2	3912  3,0X13 x10			



# 4

3989  x4	4062  x2	4017  x6	4069  x2	3912  3,0X13 x2		
--	--	--	--	--	--	--

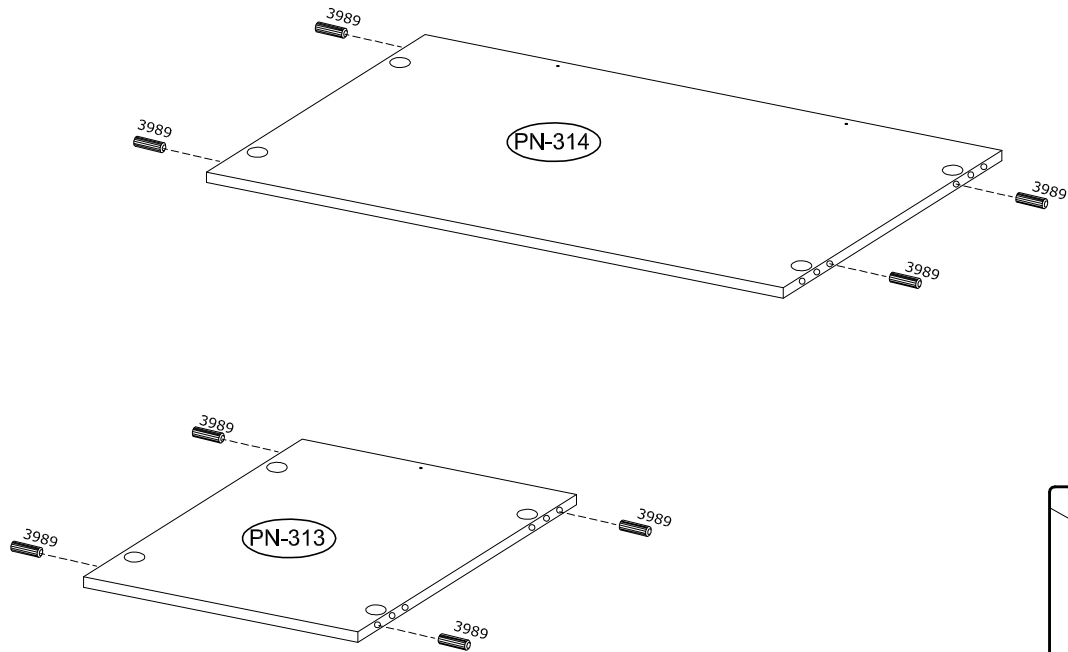


# 5

3989



x8



# 6

3989



x4

4066



x2

81150

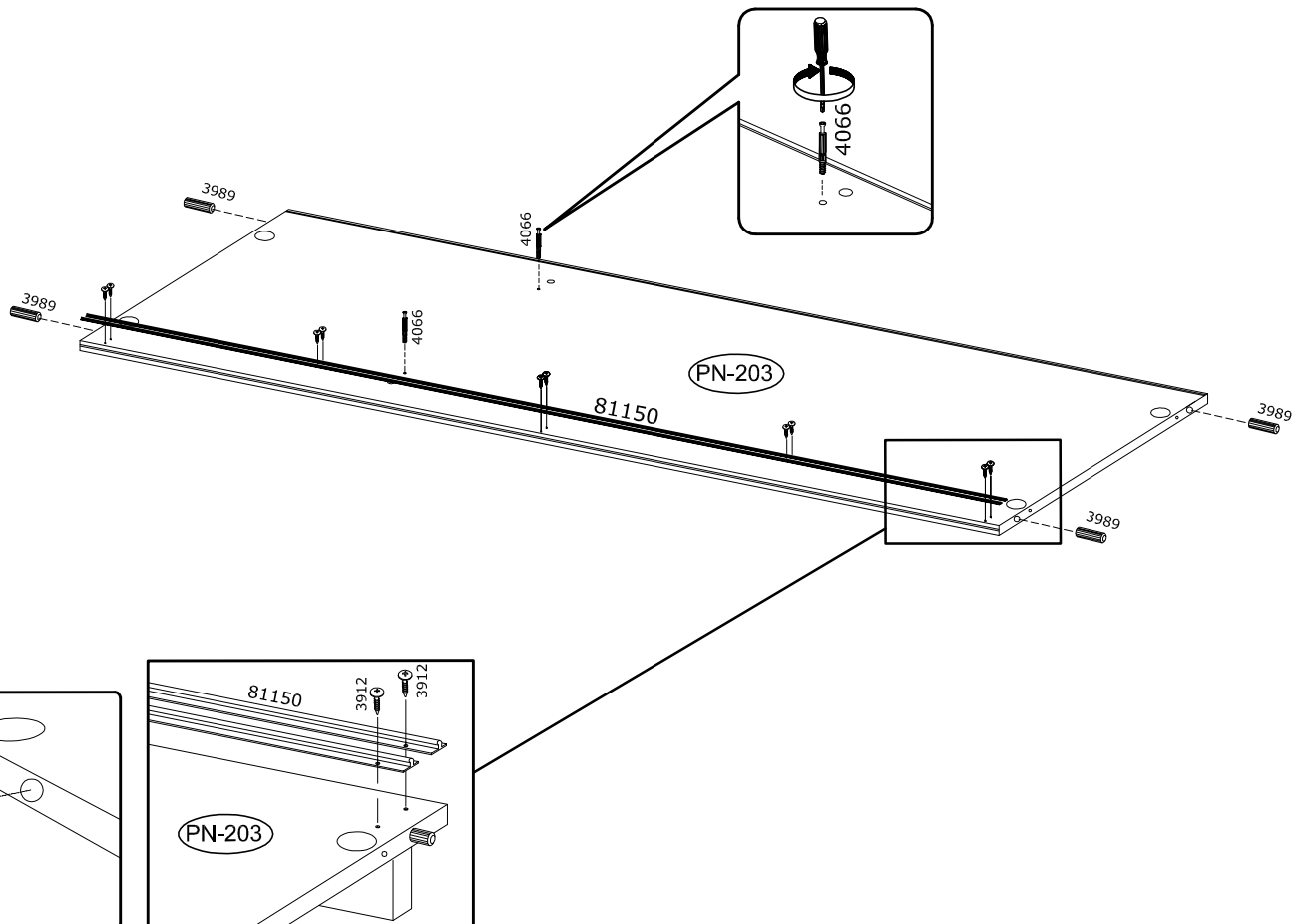


x2

3912


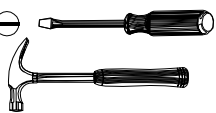


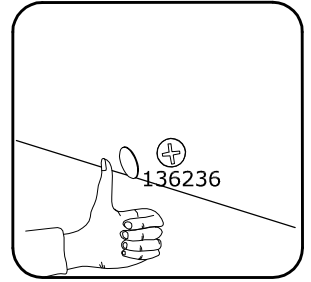
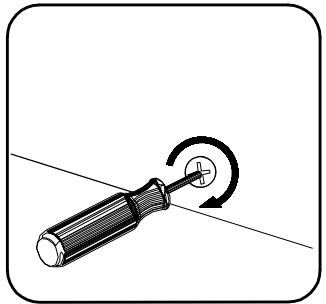
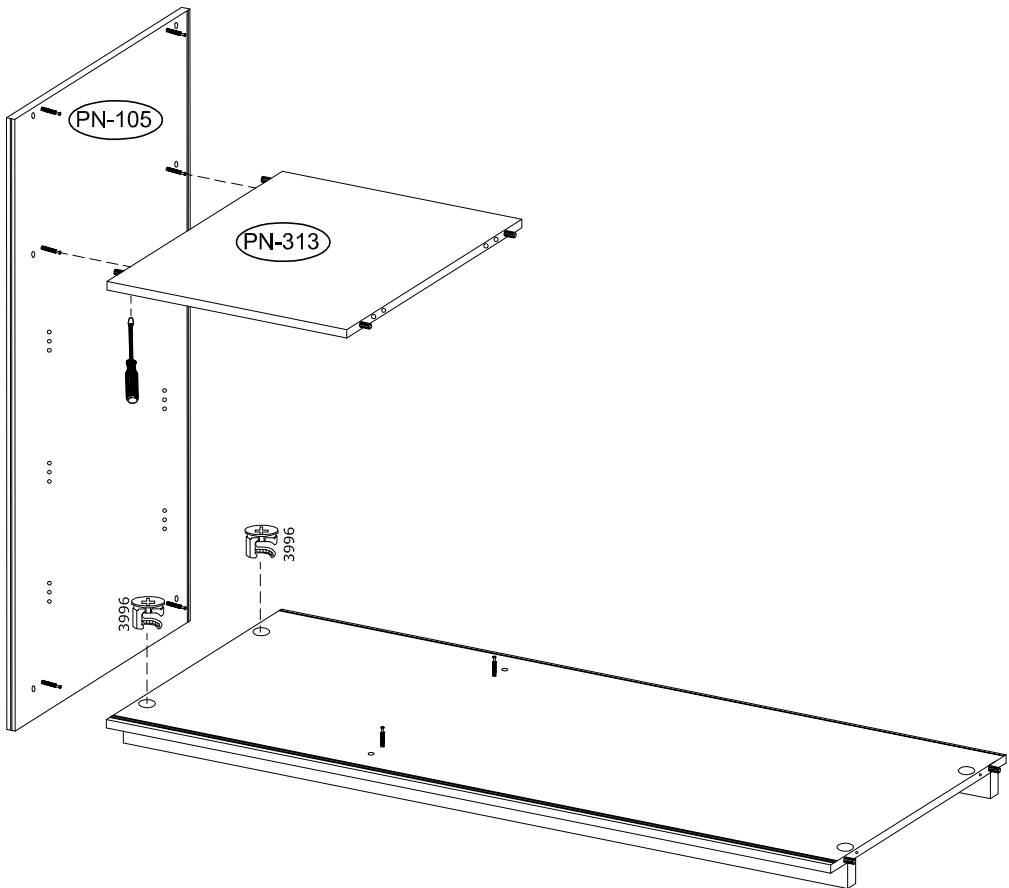
3,0X13 x10





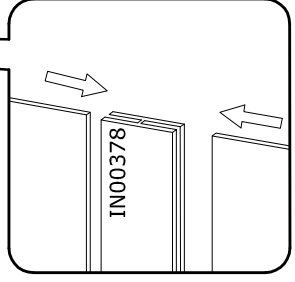
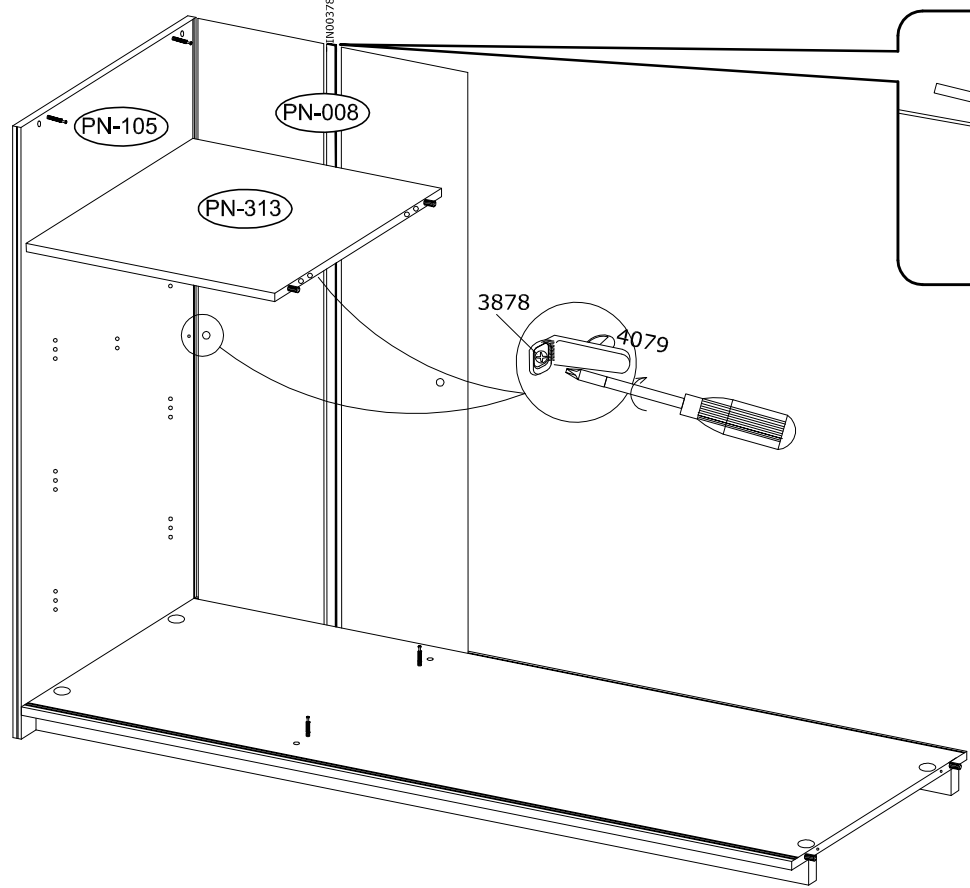
# 7

 3996 x2	 136236 x2		
--	--	--	--



# 8

 4079 x2	 3878 x2	 IN00378 x1		
---	---	--	--	---



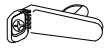
# 9

IN00378



x1

4079

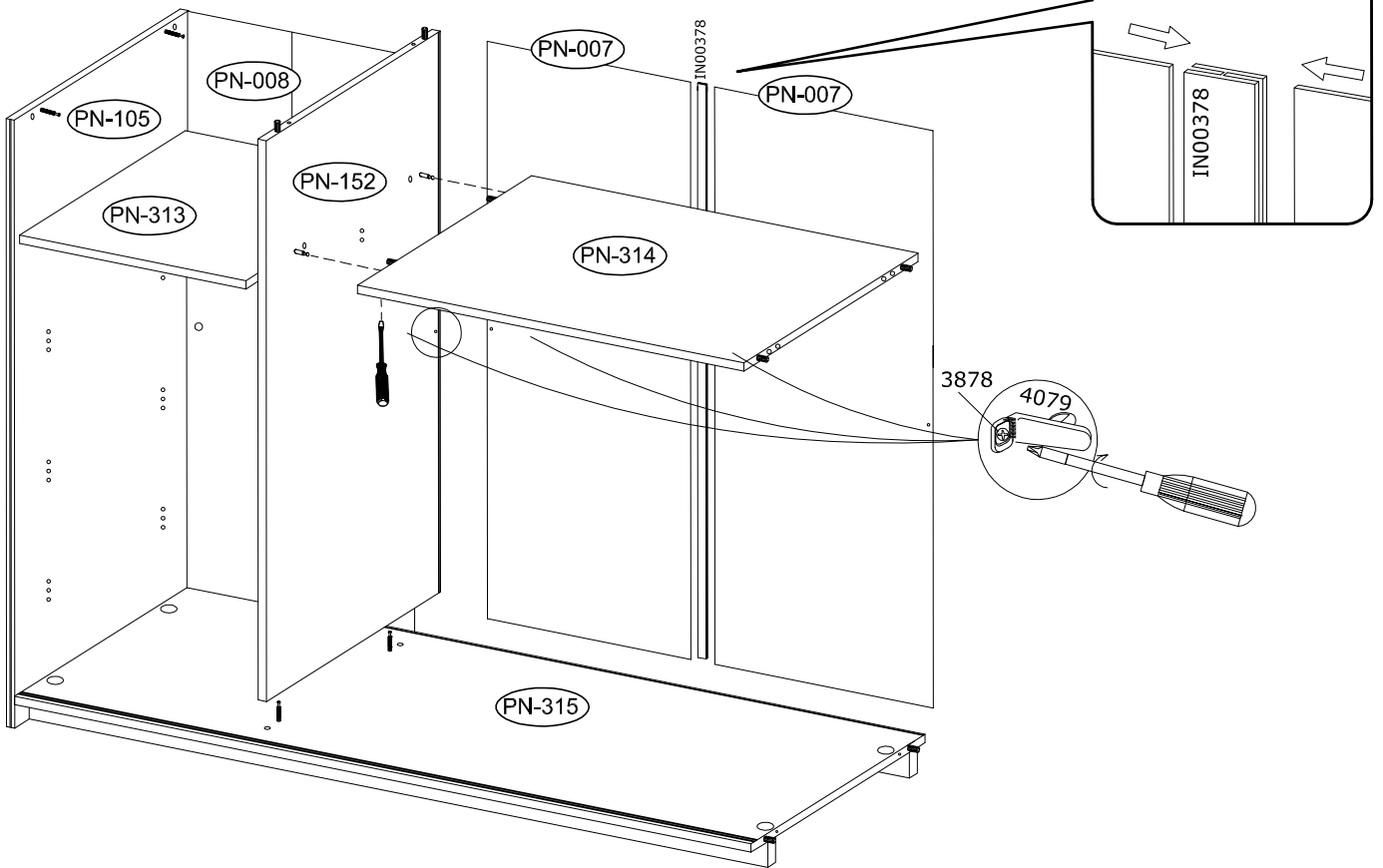


x3

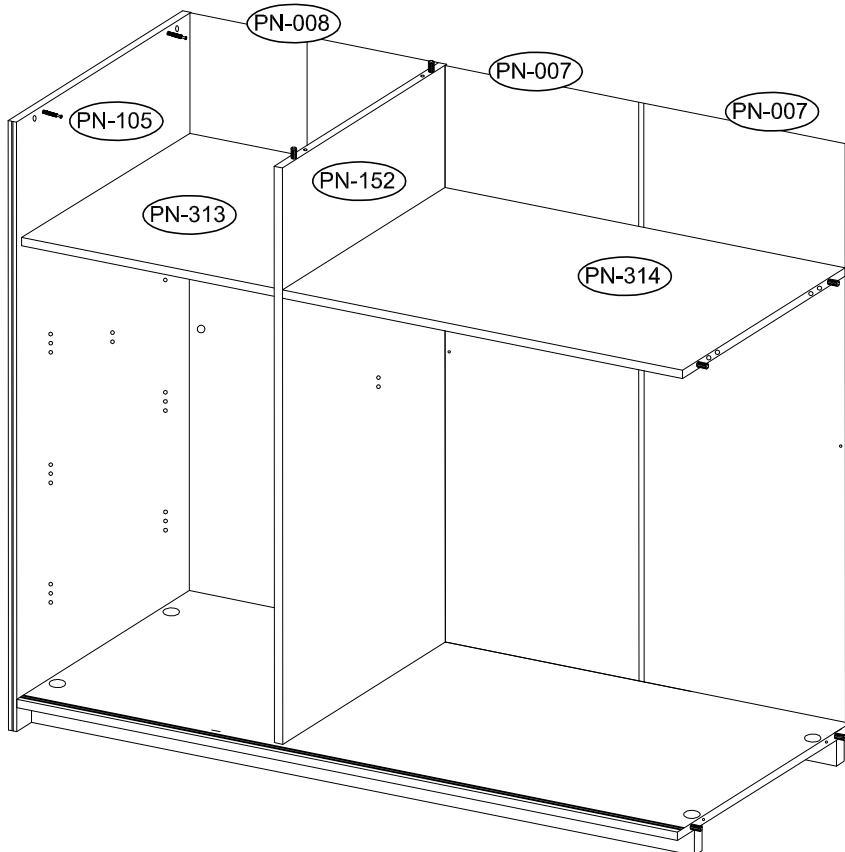
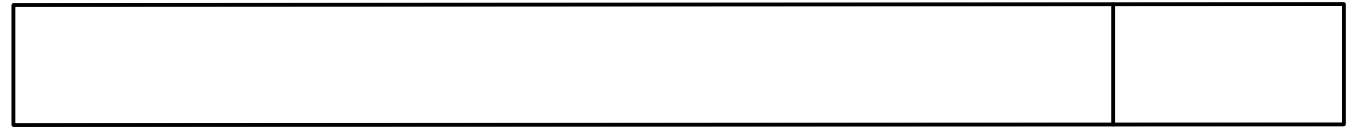
3878



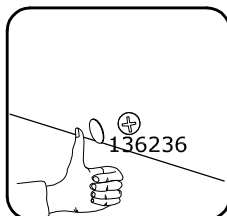
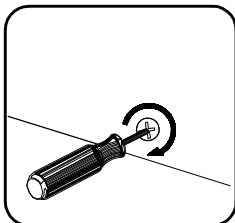
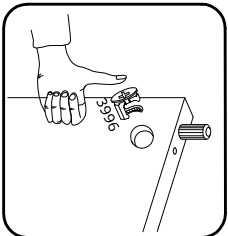
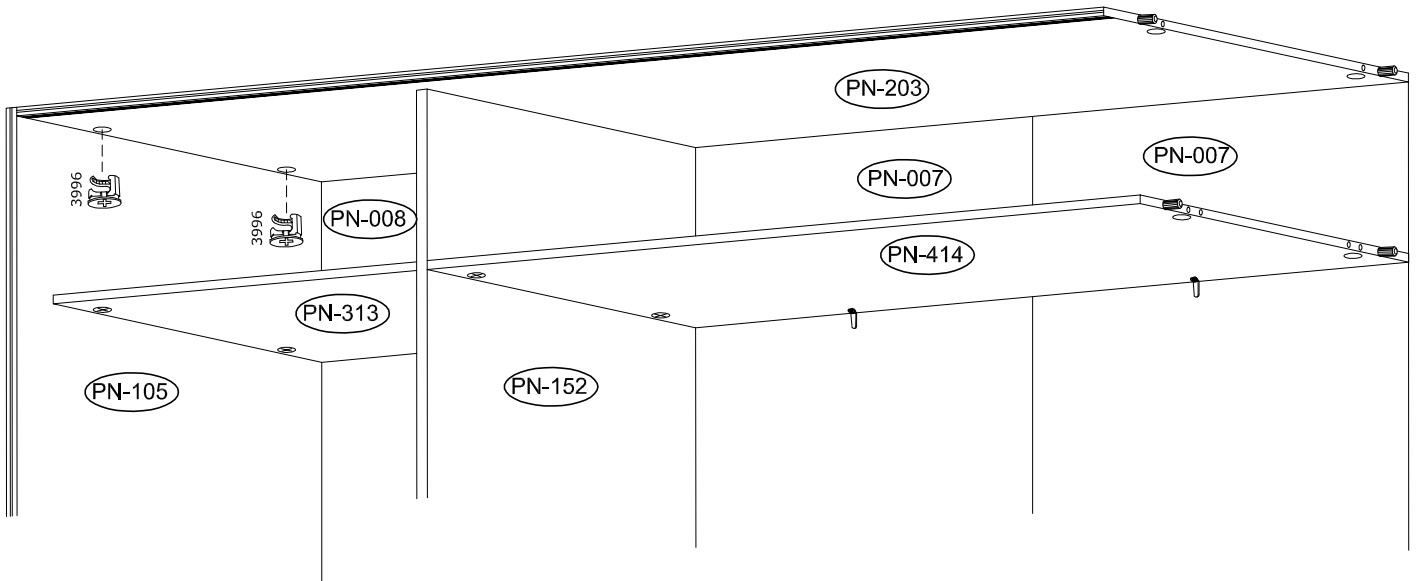
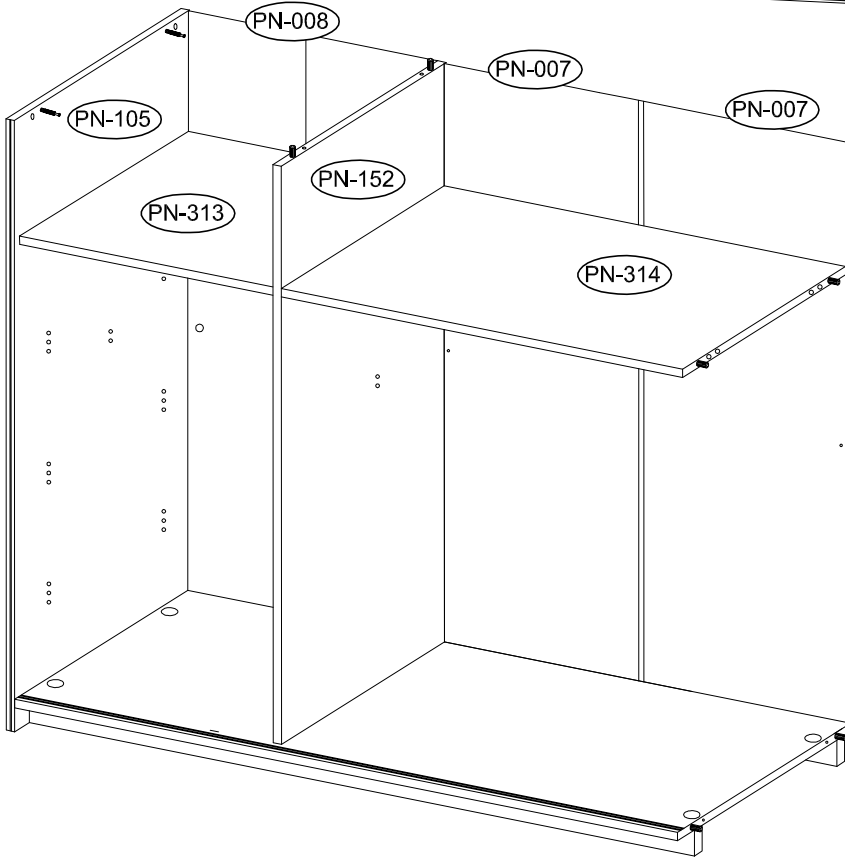
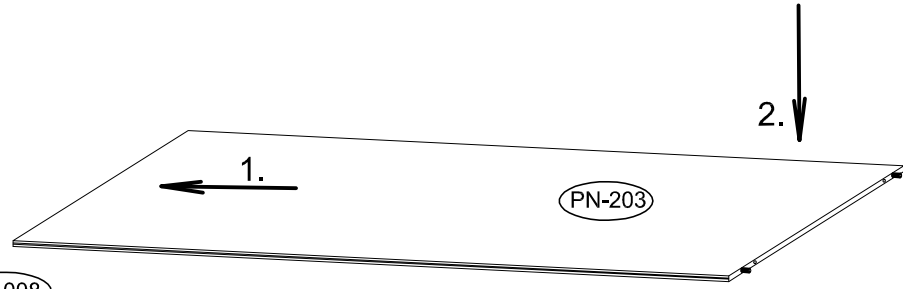
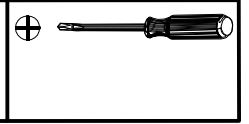
x3



# 10



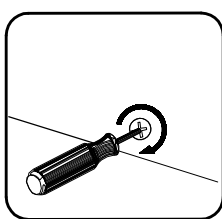
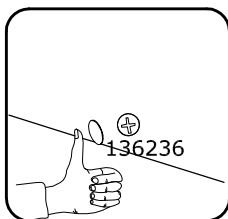
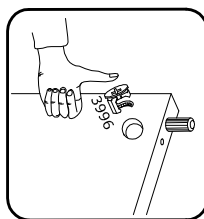
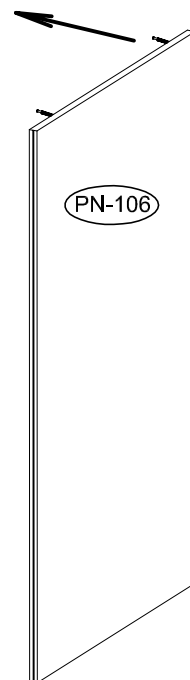
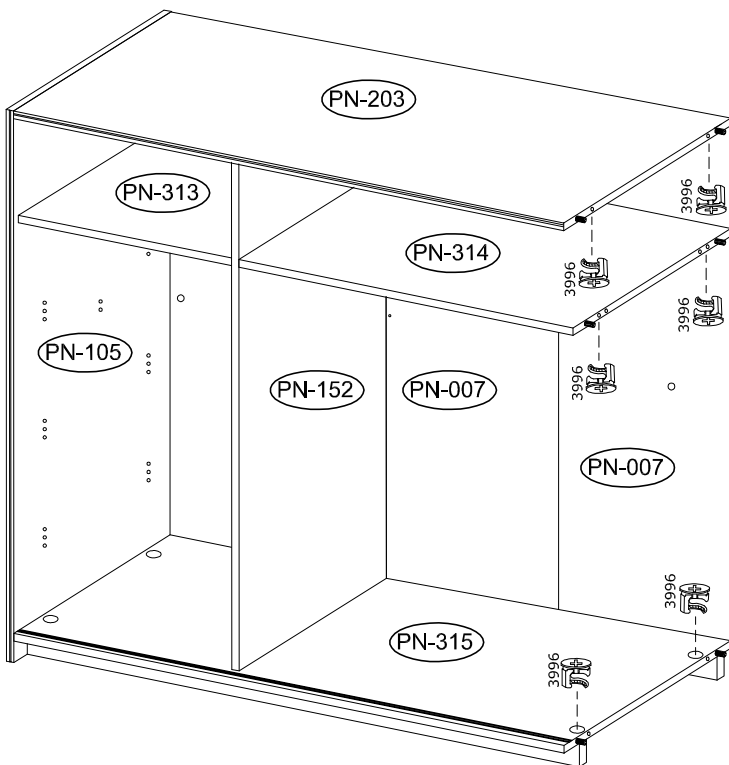
# 11



# 12

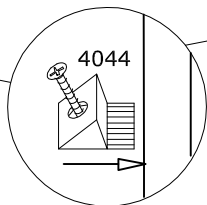
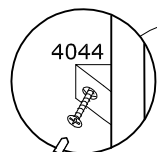
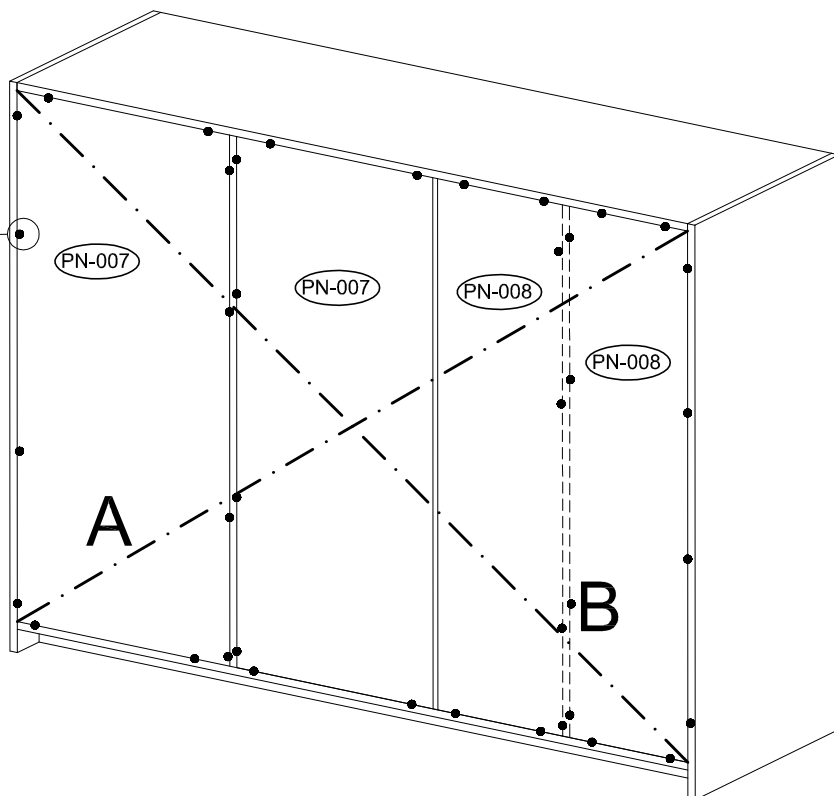
3996  
x6

136236  
x6

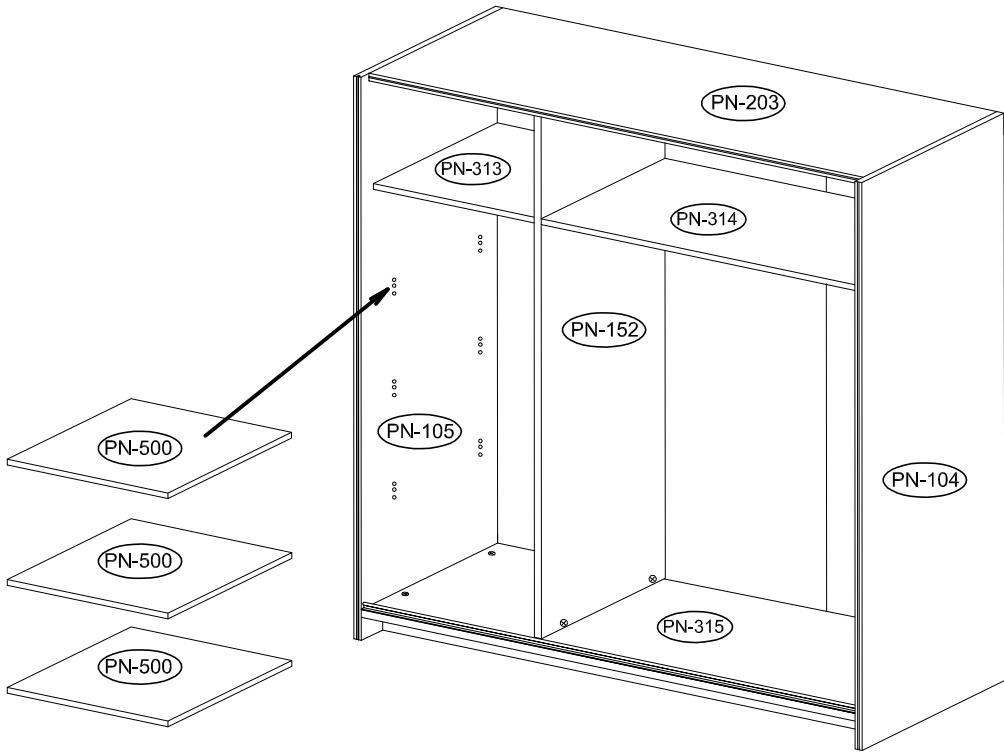


# 13

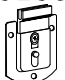
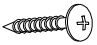



4044  
x22

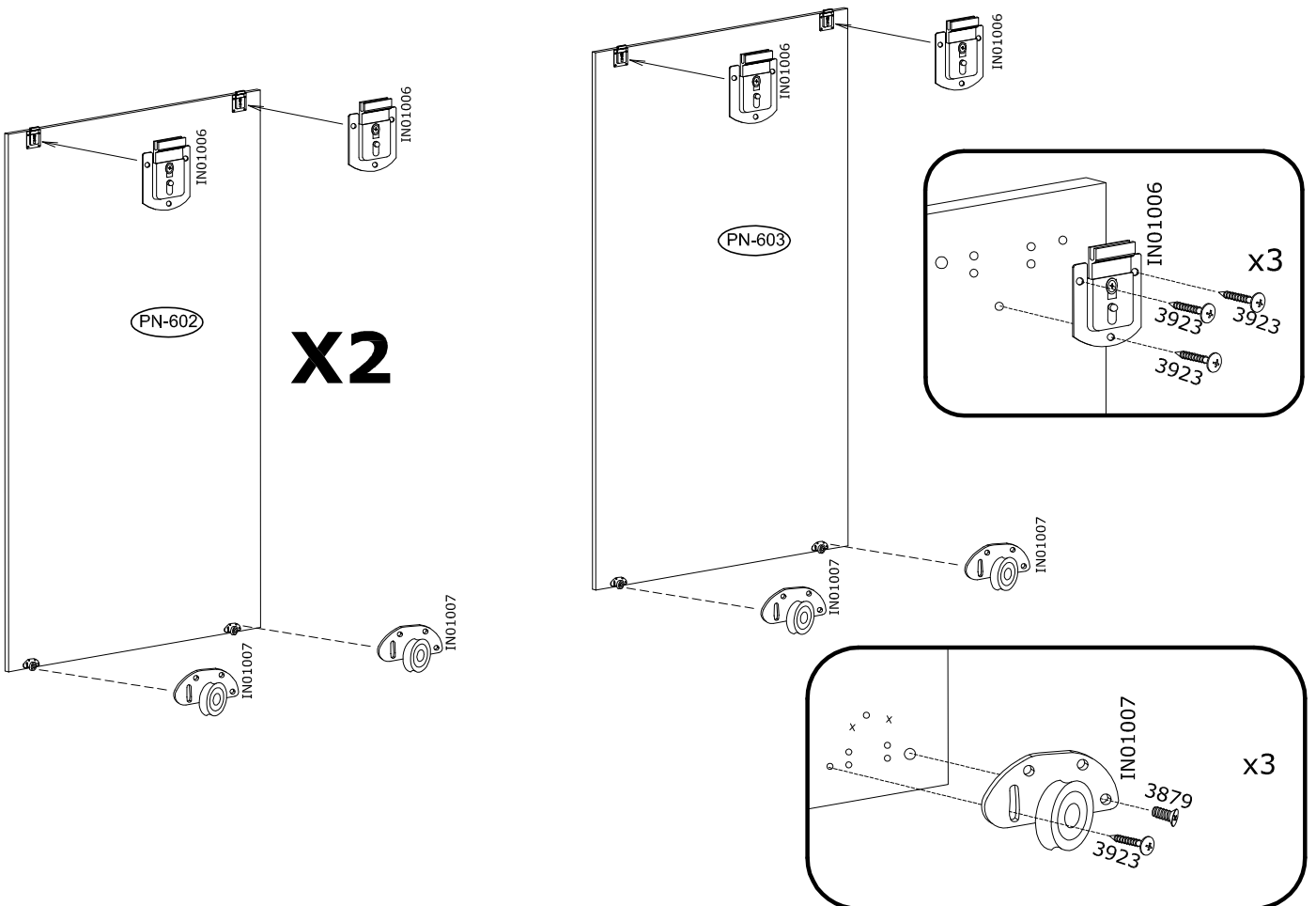


# 14



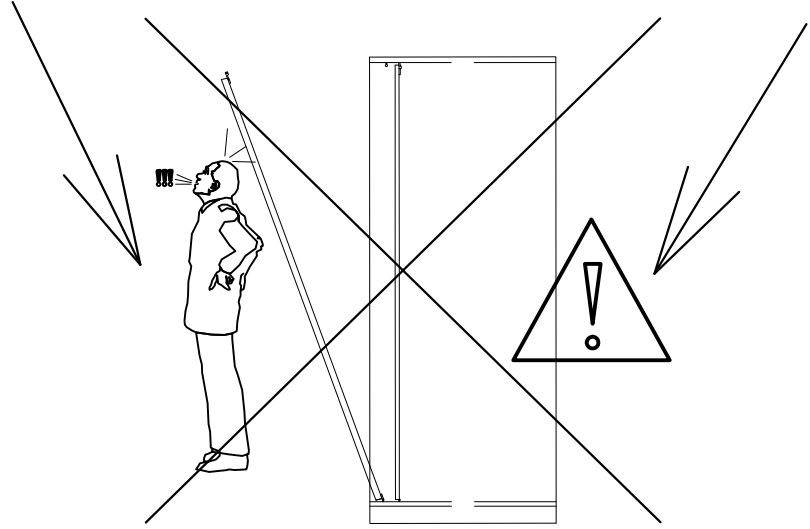
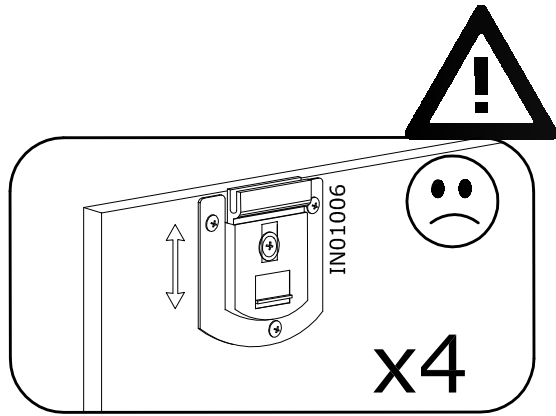
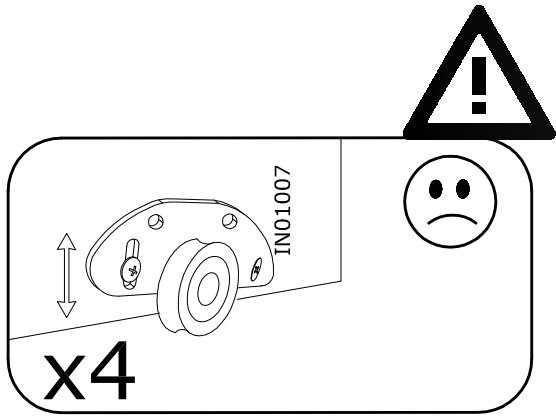
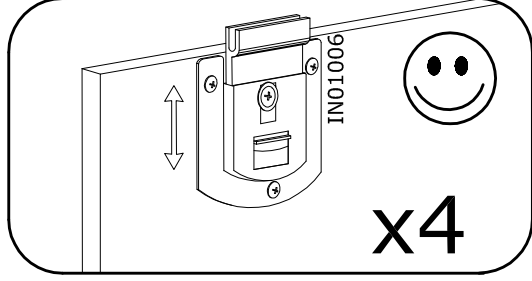
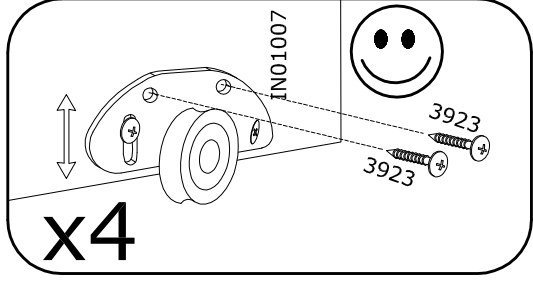
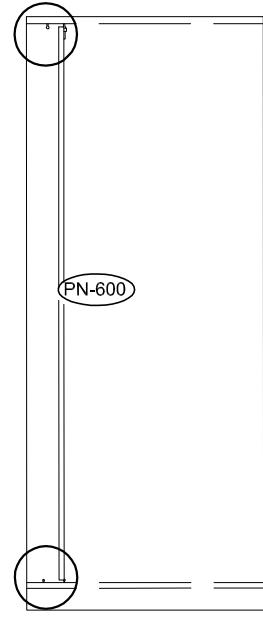
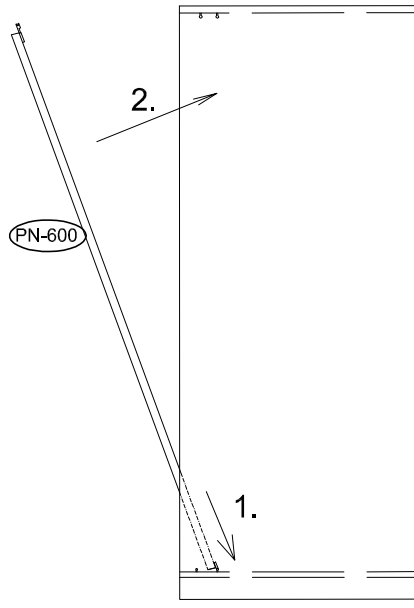
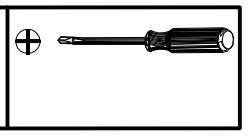
# 15

 IN01006 x6	 3923 x24	 3879 x6	 IN01007 x6	
--	--	---	--	---



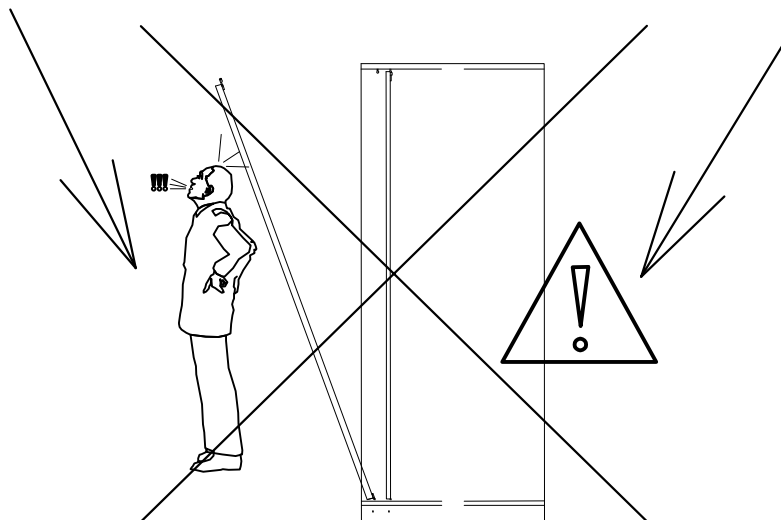
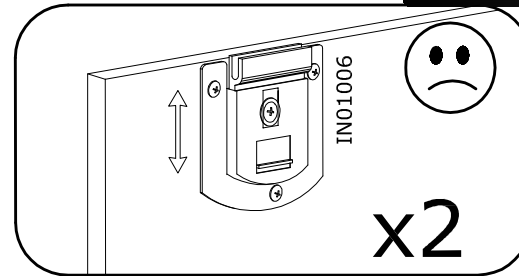
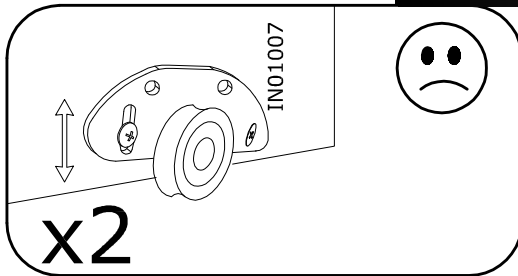
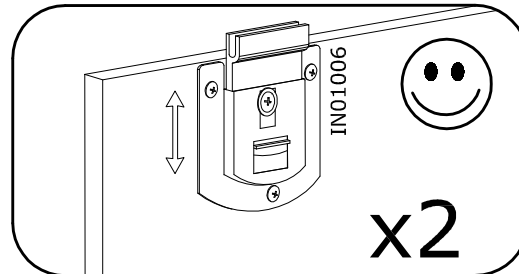
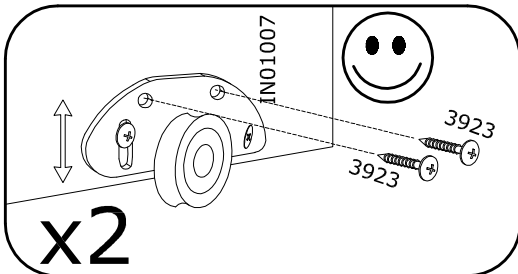
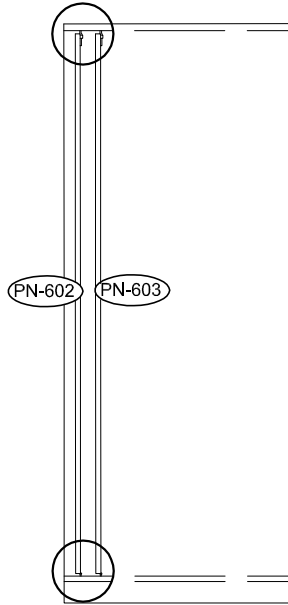
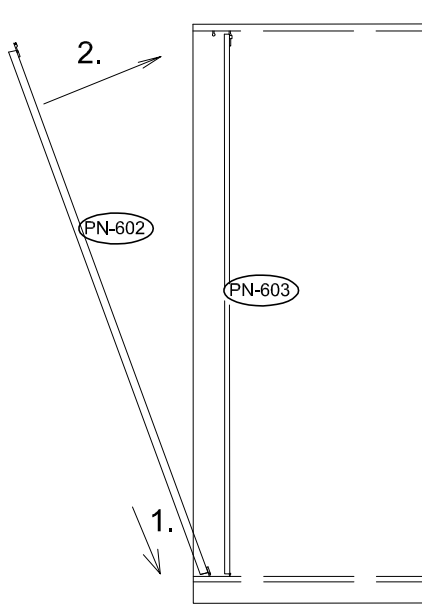
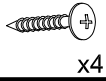
# 16

3923  
x4



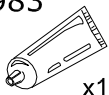
# 17

3923



# 18

3983



3993

