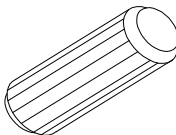
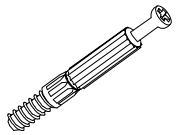

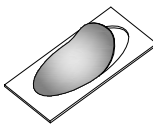
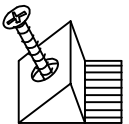
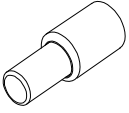

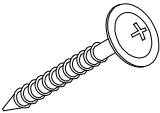
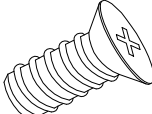
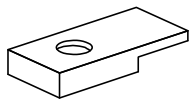
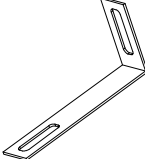

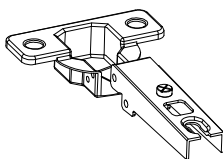
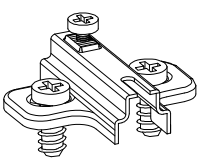
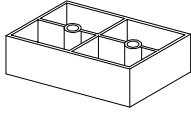
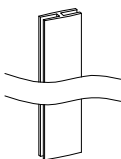
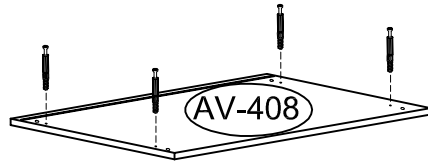
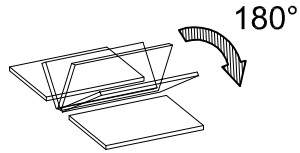
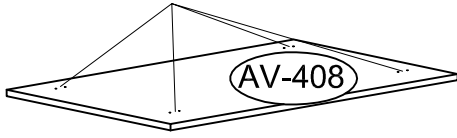
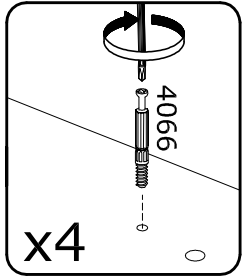
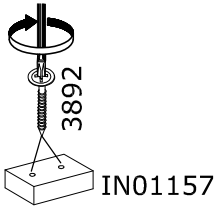



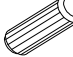



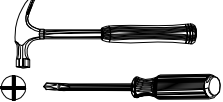
<p>3989</p>  <p>Ø8x30mm x12</p>	<p>4066</p>  <p>Ø6.5x36.5mm x22</p>	<p>3996</p>  <p>x22</p>	<p>136239</p>  <p>Ø20 x8</p>
<p>4044</p>  <p>x8</p>	<p>4019</p>  <p>x8</p>	<p>3914</p>  <p>Ø3,0x20 mm x12</p>	<p>3892</p>  <p>Ø4.0x25mm x8</p>
<p>3879</p>  <p>Ø6.3x13mm x8</p>	<p>4076</p>  <p>x12</p>	<p>71900</p>  <p>75x15x32 mm x1</p>	<p>3918</p>  <p>Ø3,5x16mm x2</p>
<p>136858</p>  <p>x4</p>	<p>136917</p>  <p>x4</p>	<p>202689</p>  <p>x4</p>	<p>205991</p>  <p>L-1758 mm x1</p>

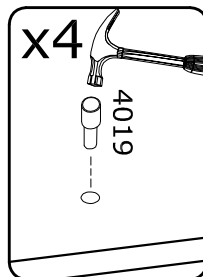
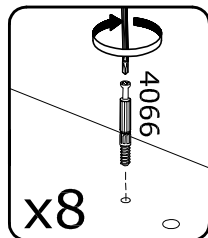
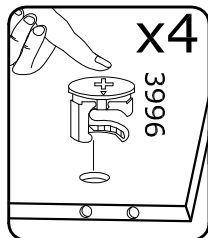
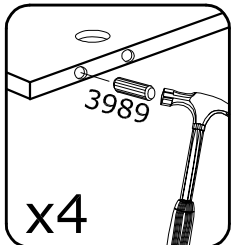
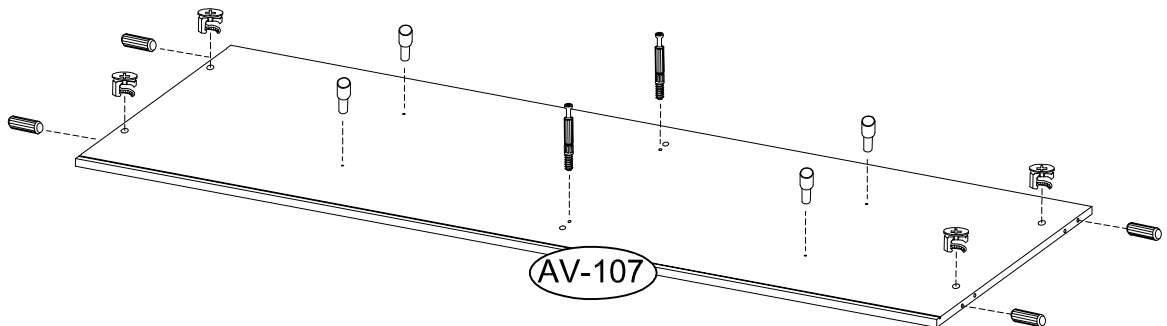
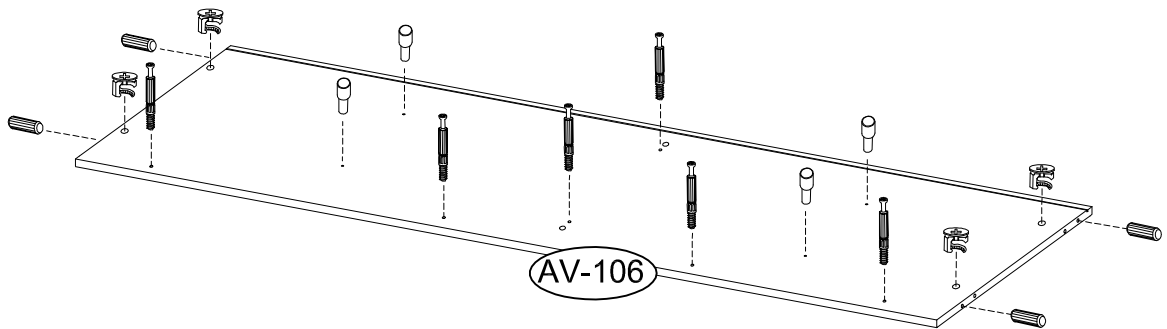
1

4066  x4	3892  x8	IN01157  x4		
--	--	---	--	---



2

3996  x8	3989  x8	4019  x4	136917  x4	4066  x8		
---	---	---	---	--	--	---



3

3996

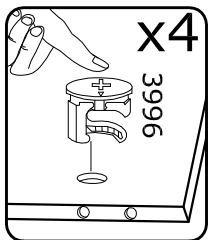
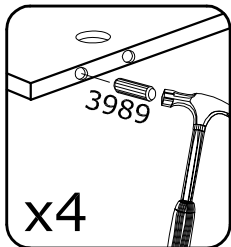
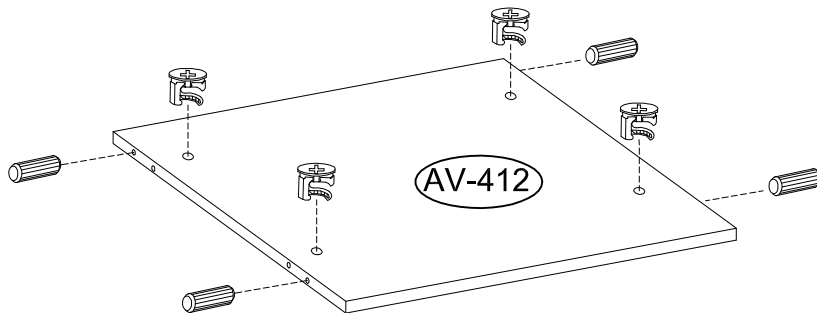


x4

3989



x4



4

4066

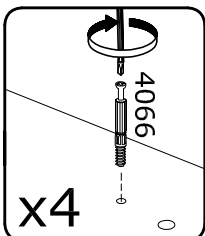
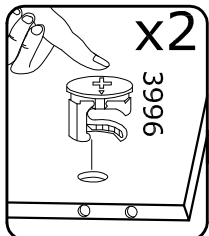
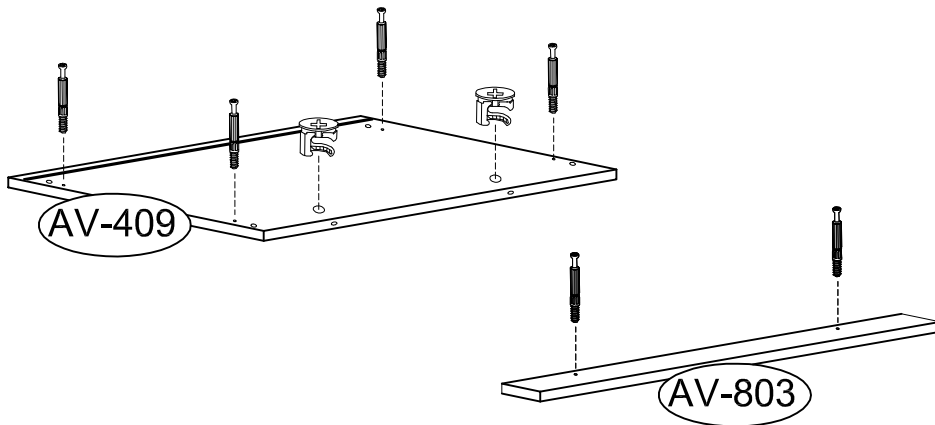


x6

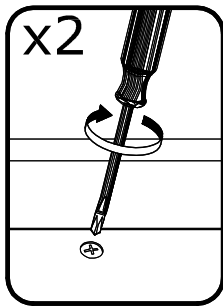
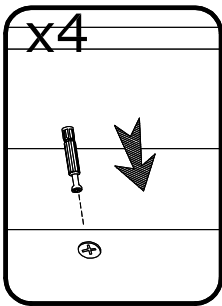
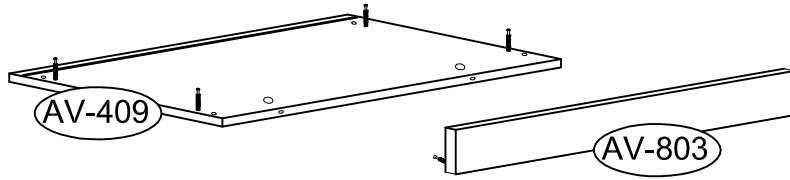
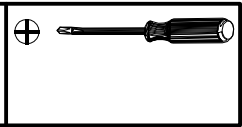
3996



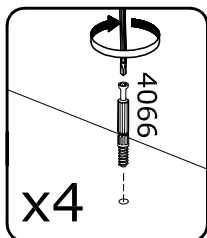
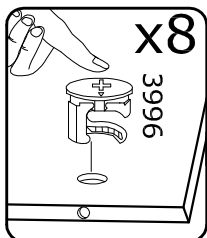
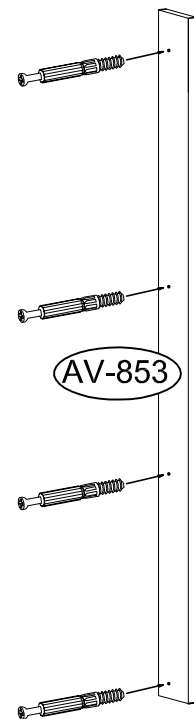
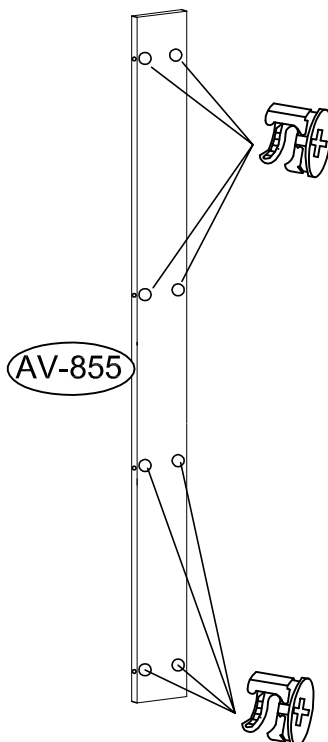
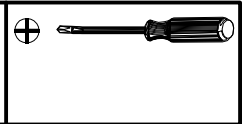
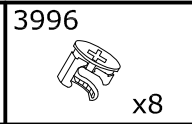
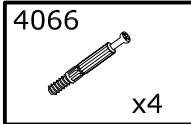
x2



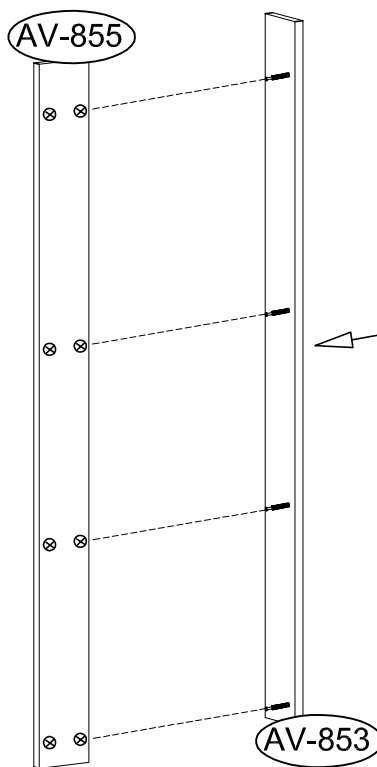
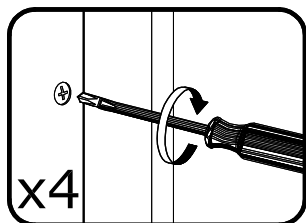
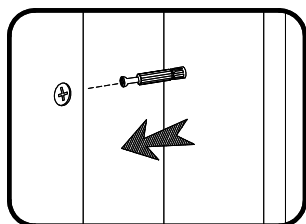
5



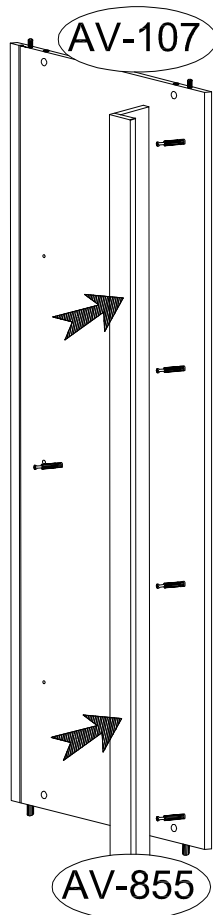
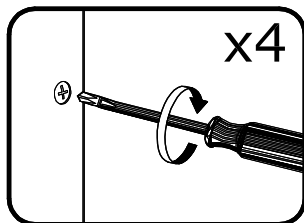
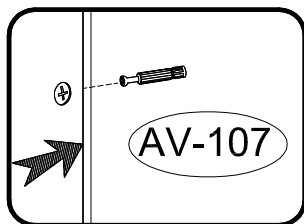
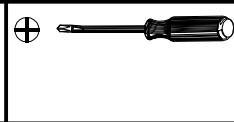
6



7

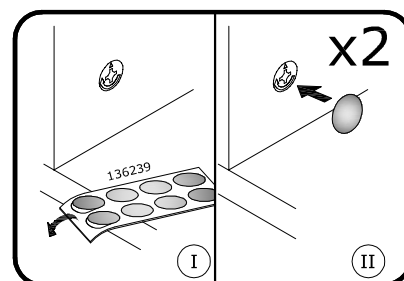
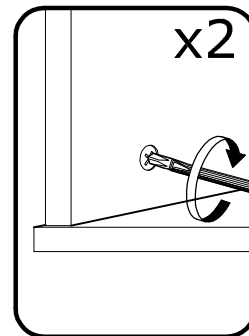
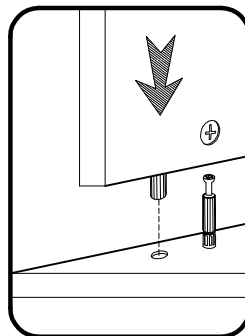
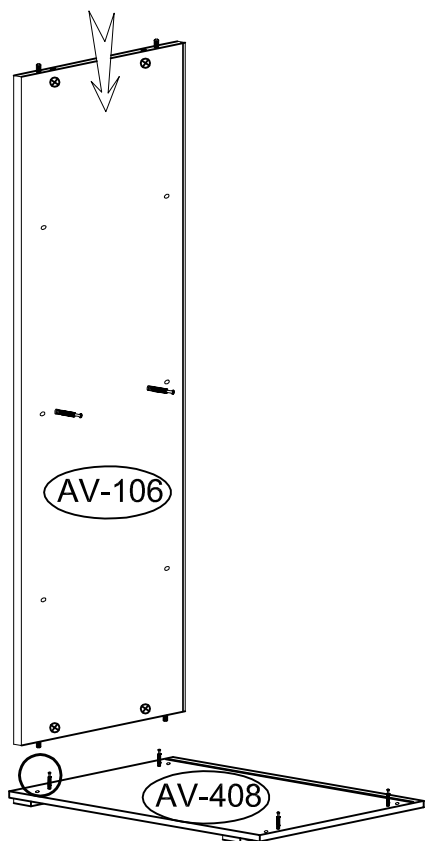


8

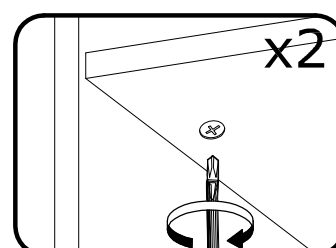
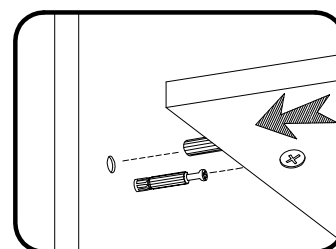
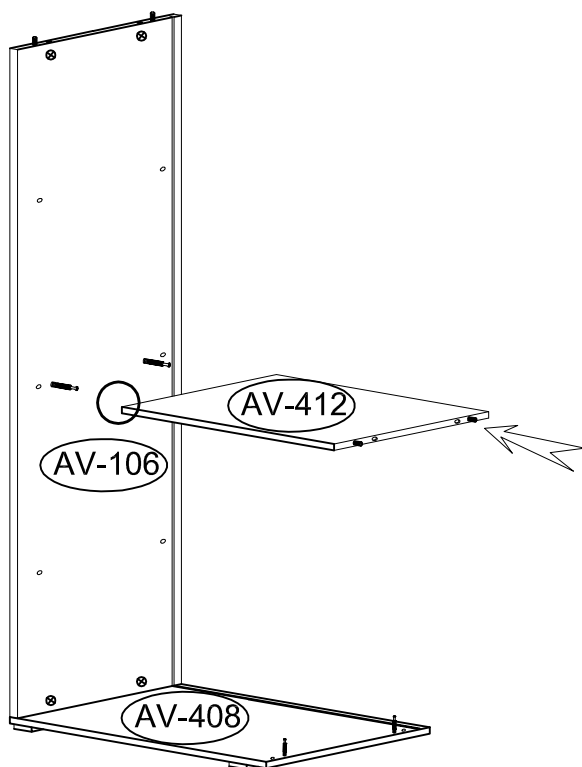


9

136239

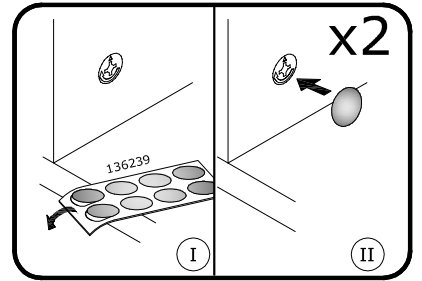
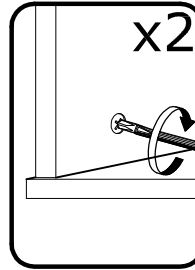
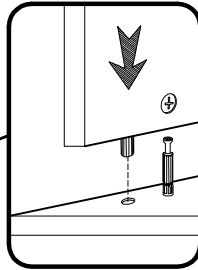
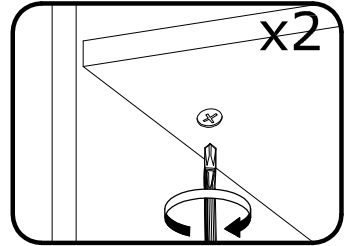
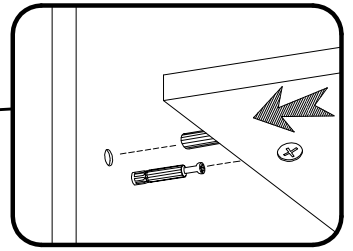
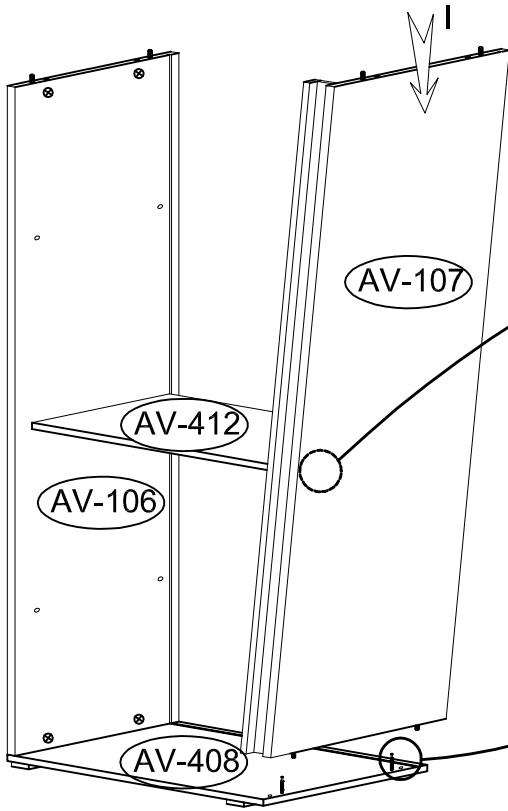


10



11

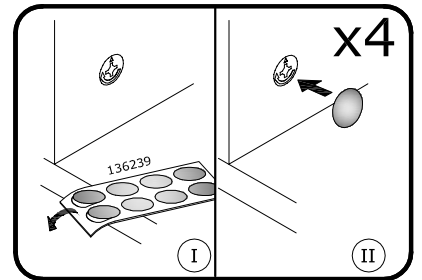
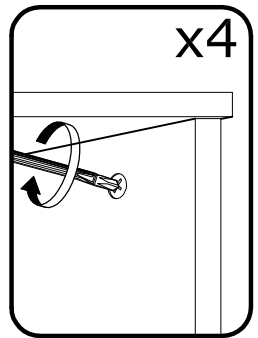
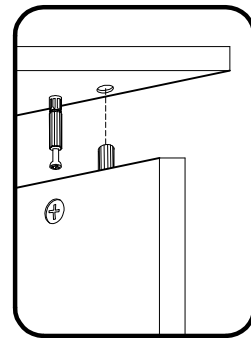
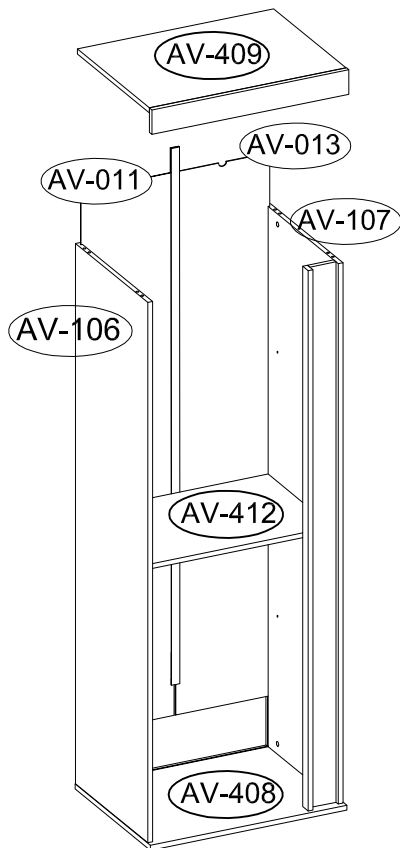
136239
x2



12

136239
x4

136239
x1

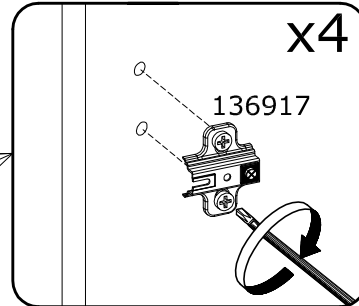
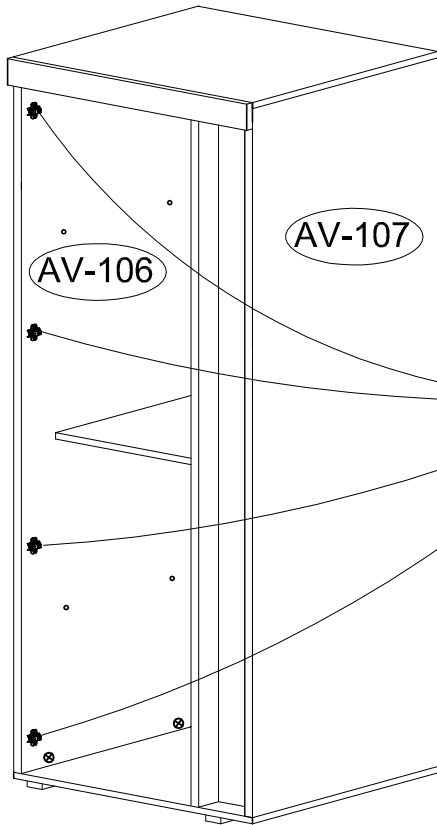


13

136917



x4

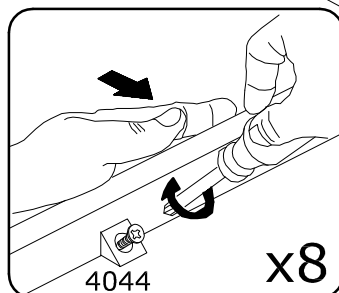
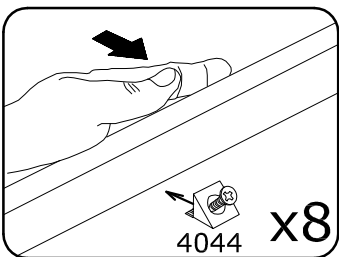
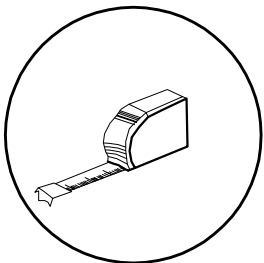
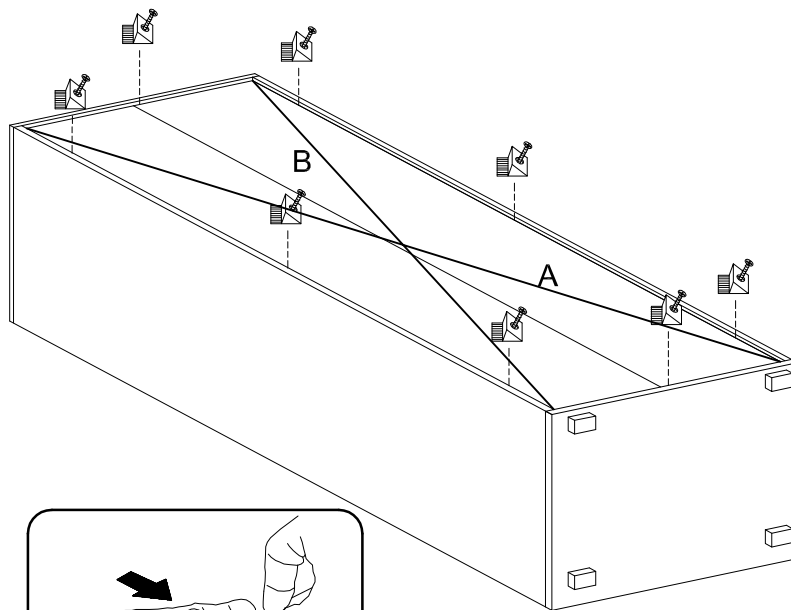


14

4044



x8



15

4076

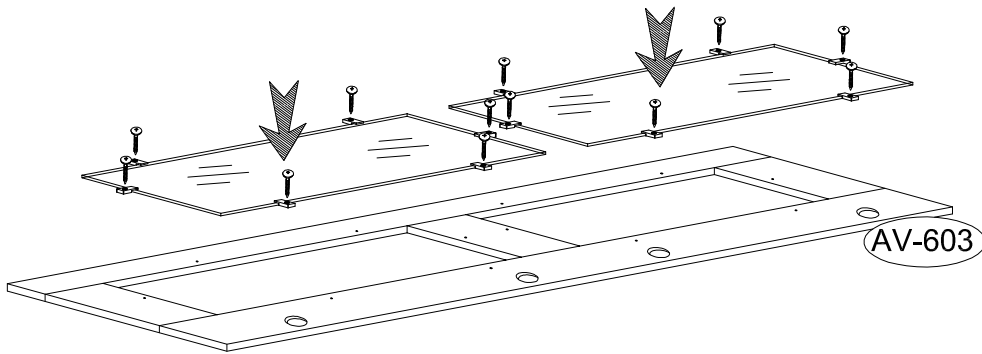
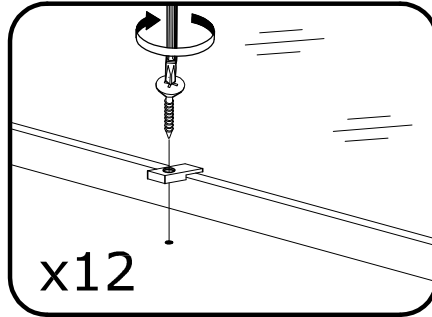


x12

3918



x12



16

136858

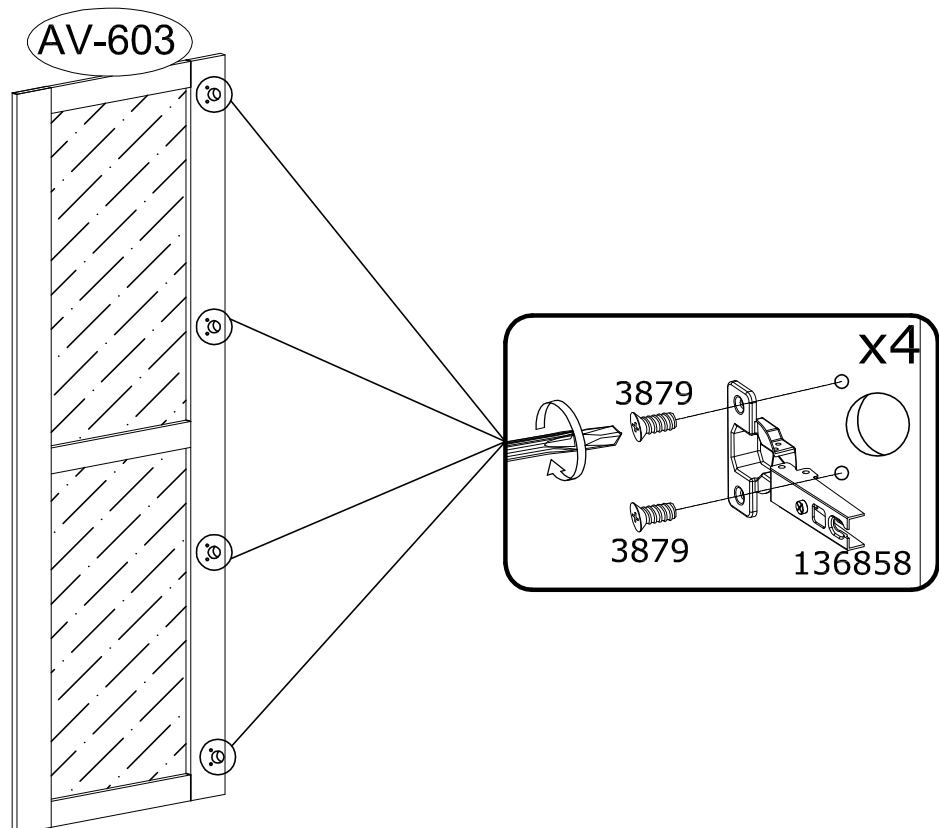


x4

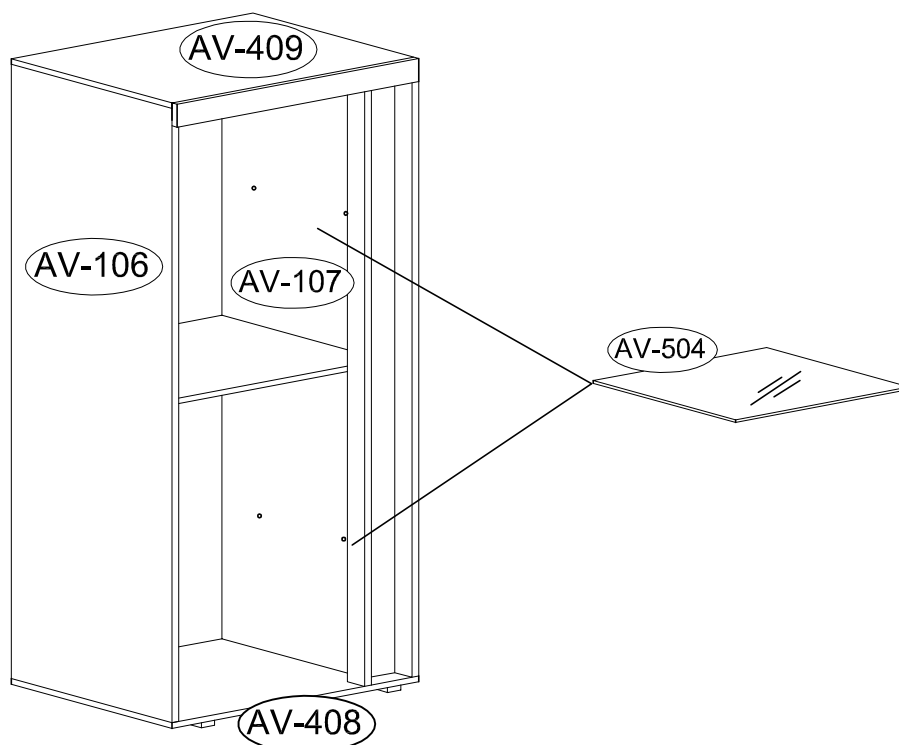
3879



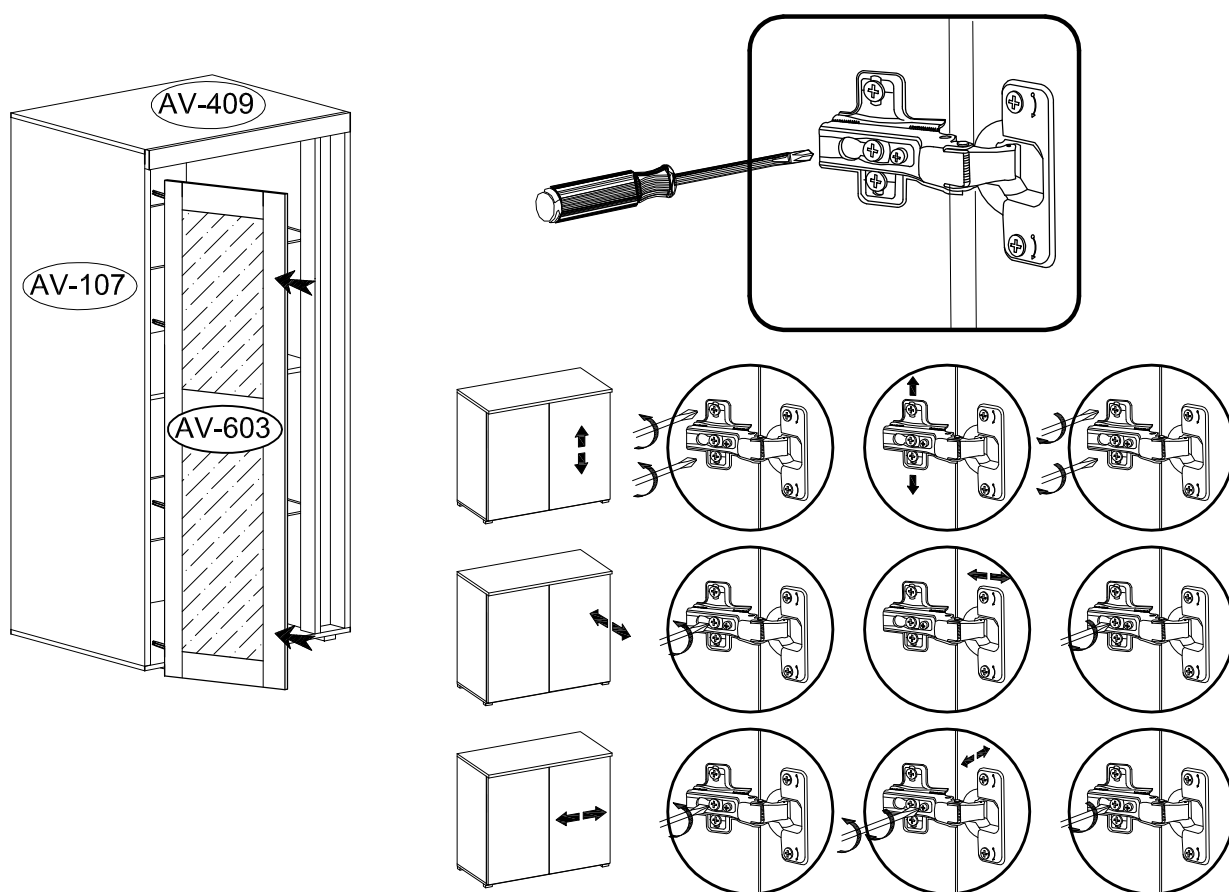
x8



17



18



3918

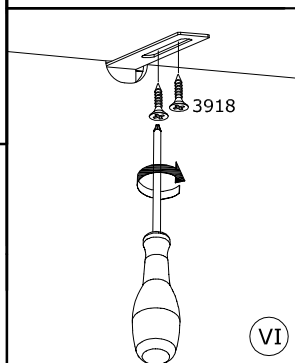
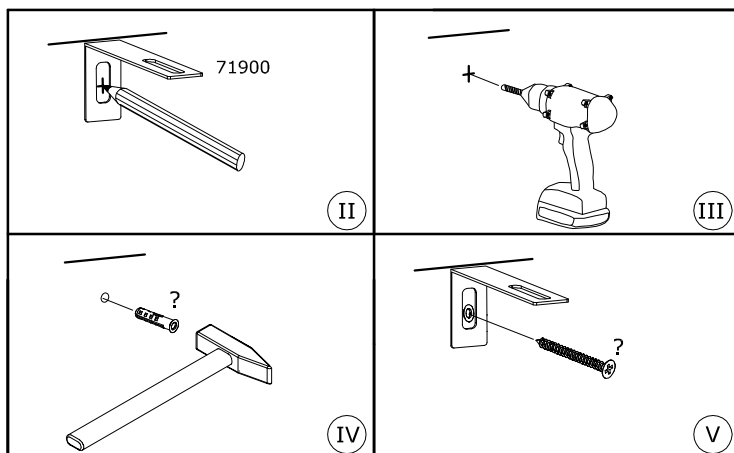
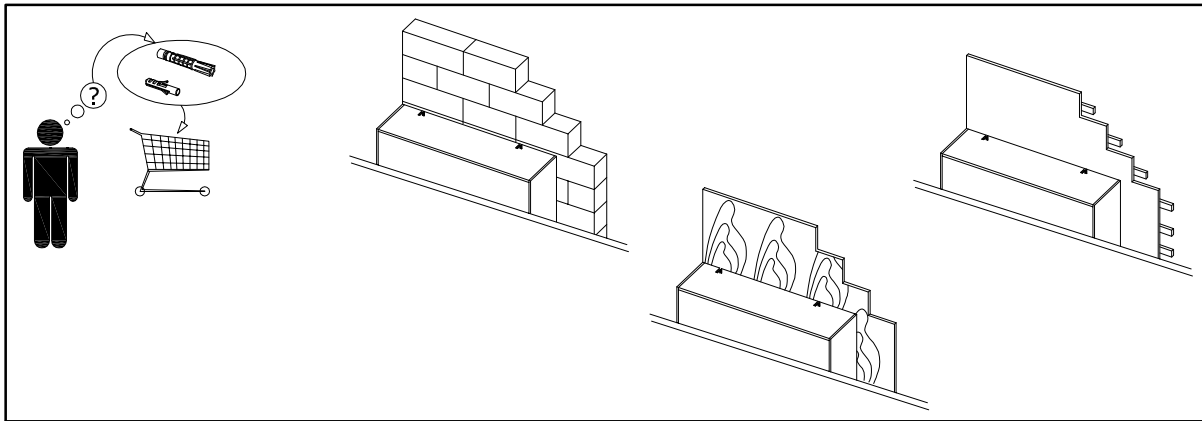
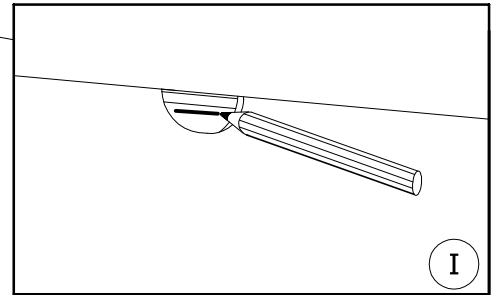
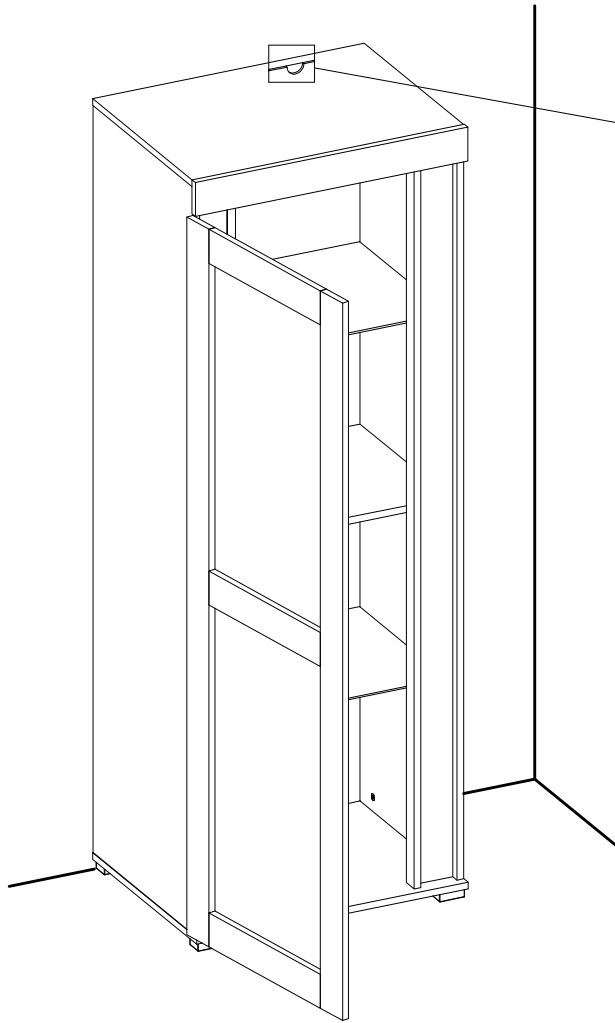
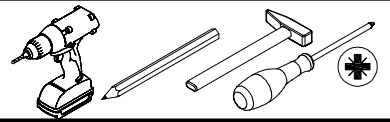


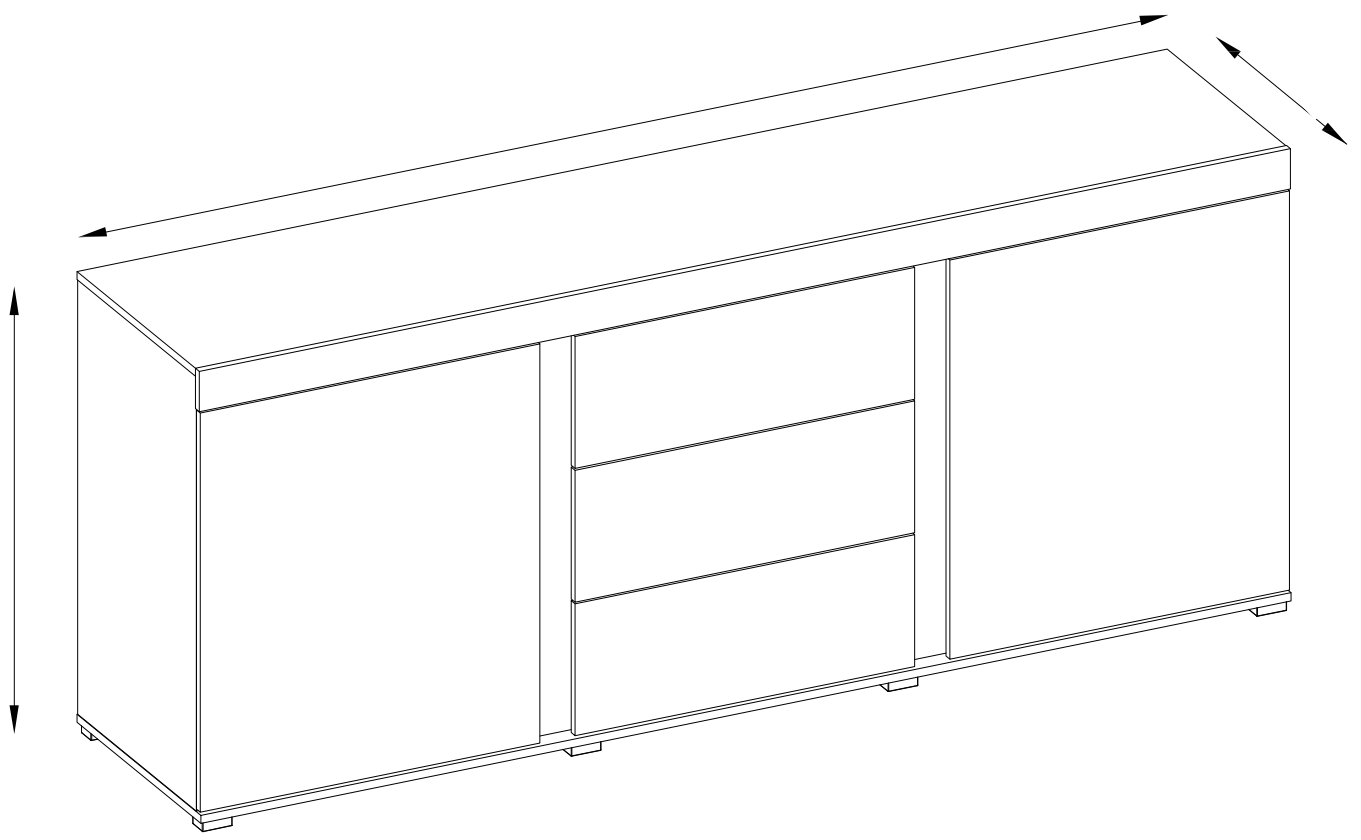
x2

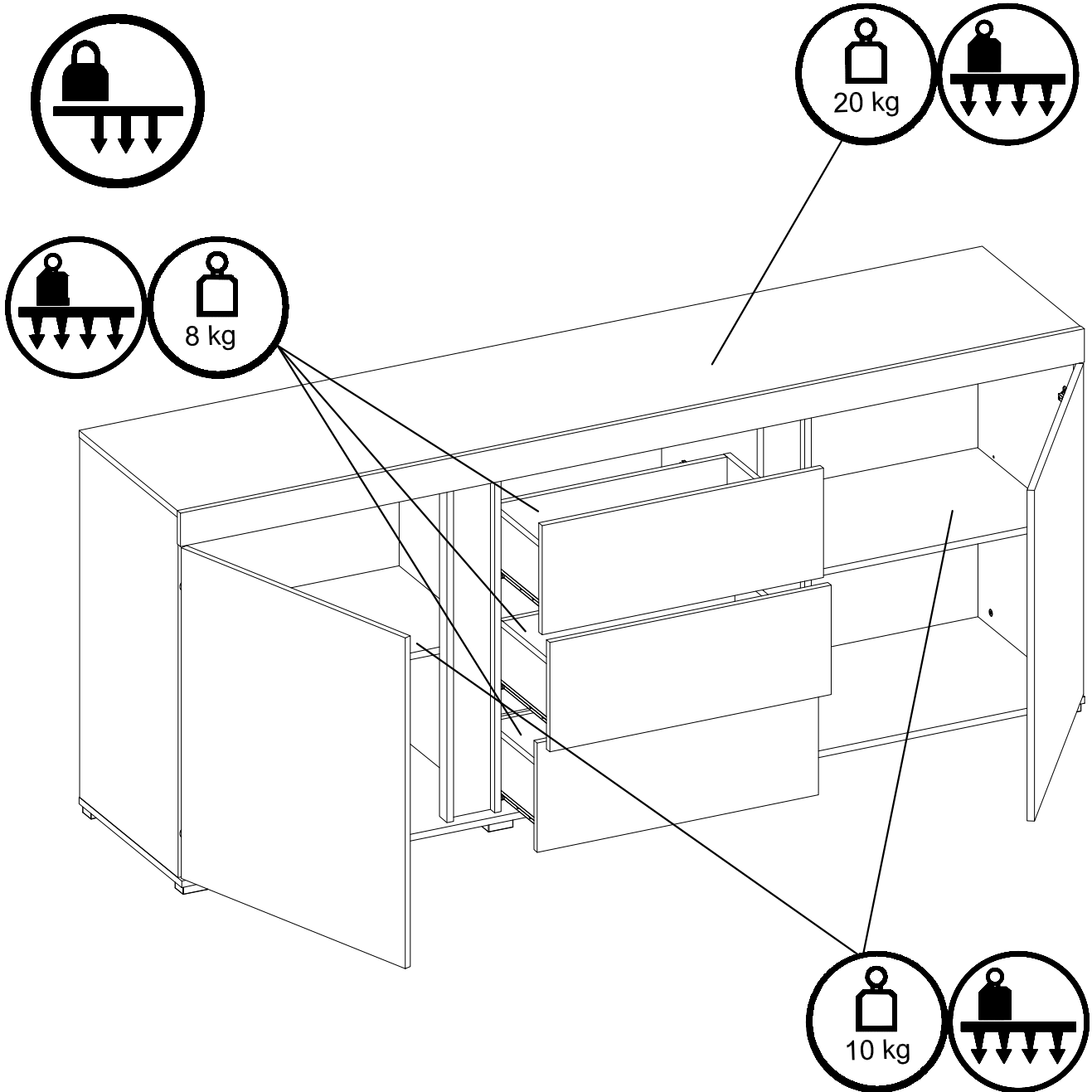
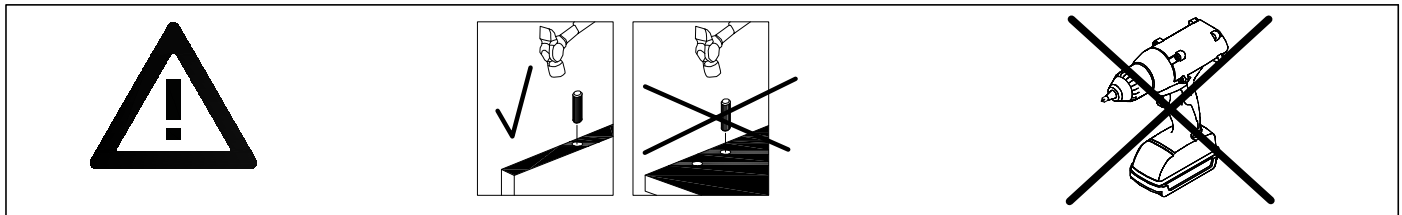
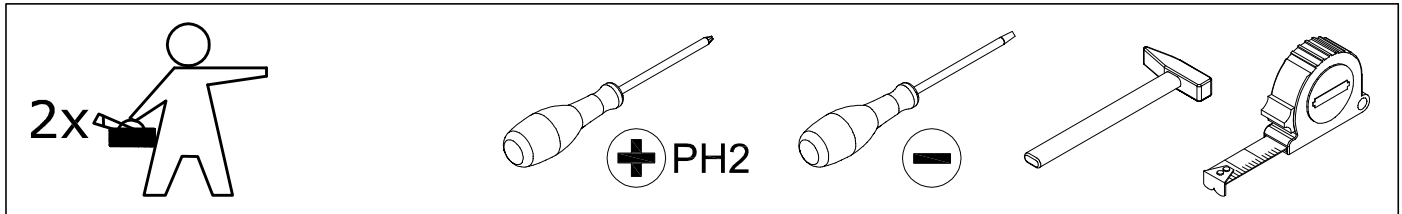
71900

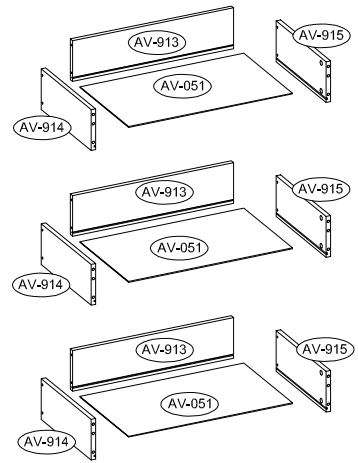
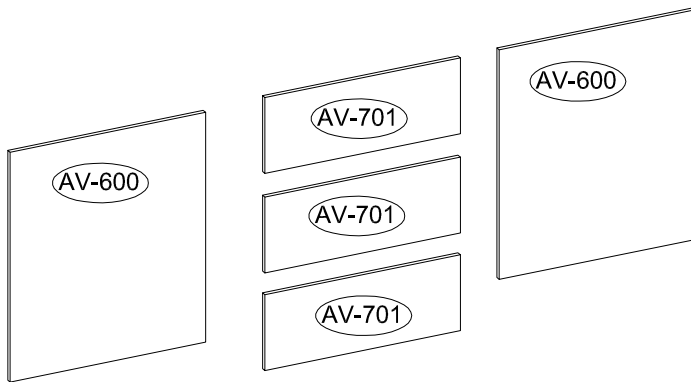
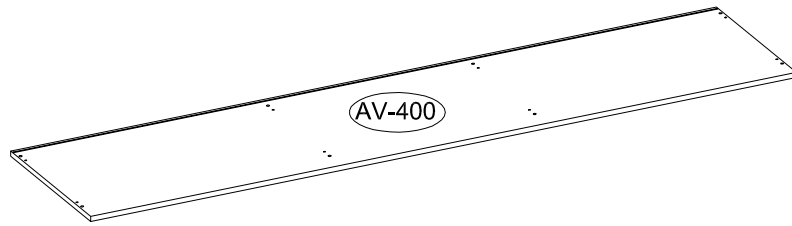
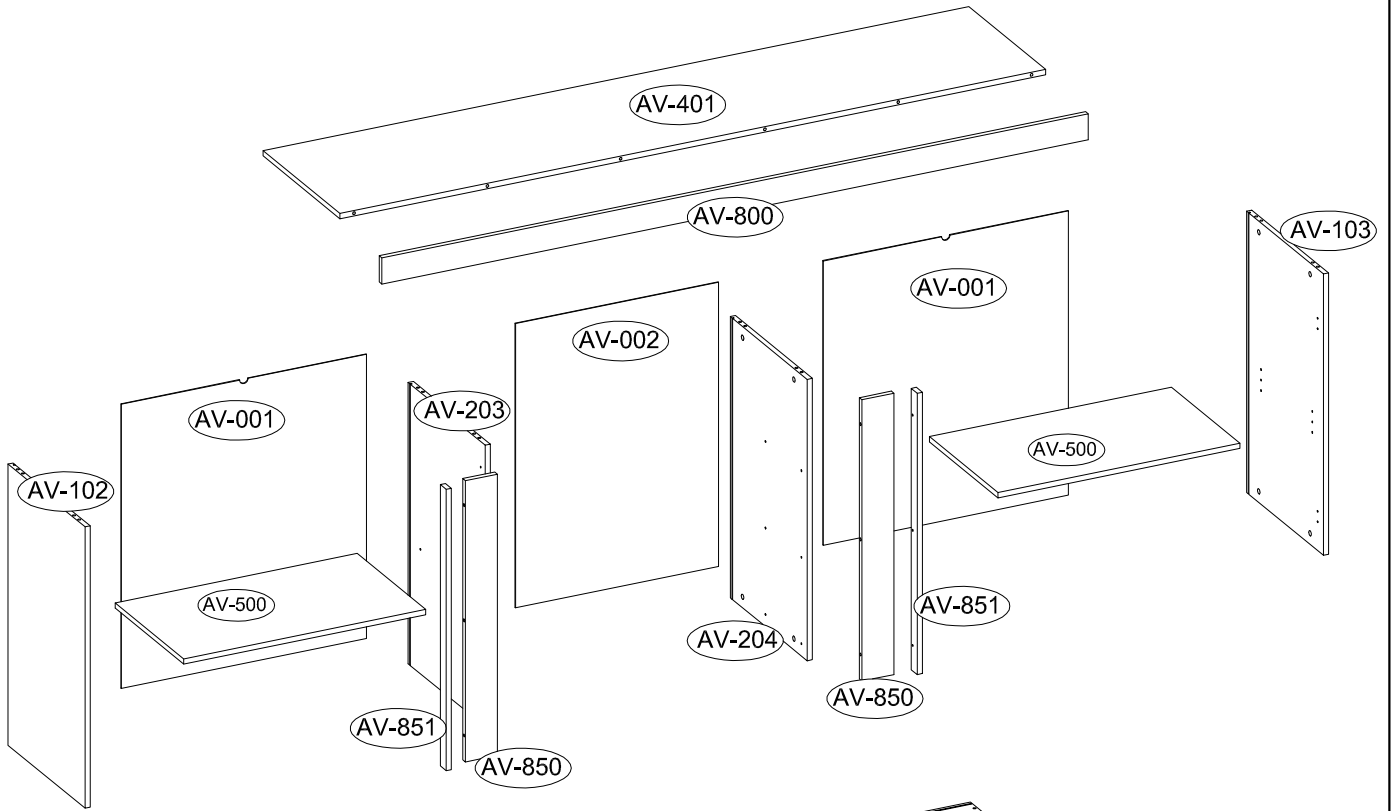


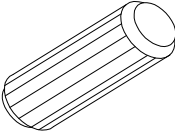
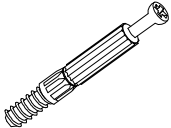

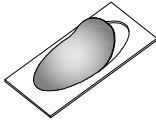

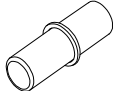
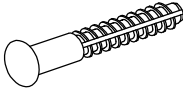



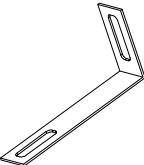

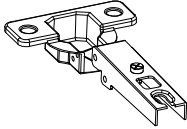
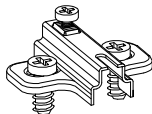
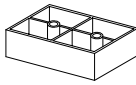
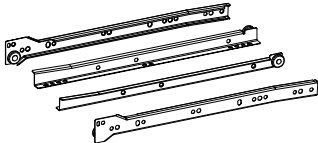
x1









<p>3989</p>  <p>Ø8x30mm x22</p>	<p>4066</p>  <p>Ø6.5x36.5mm x46</p>	<p>3996</p>  <p>x46</p>	<p>136239</p>  <p>Ø20 x20</p>
<p>4044</p>  <p>x18</p>	<p>4017</p>  <p>x8</p>	<p>IN01157</p>  <p>x12</p>	<p>IN01613</p>  <p>Ø4.0x20mm x16</p>
<p>3879</p>  <p>Ø6.3x13mm x8</p>	<p>3877</p>  <p>Ø6.0x13mm x12</p>	<p>71900</p>  <p>75x15x32 mm x2</p>	<p>3918</p>  <p>Ø3.5x16mm x16</p>
<p>136858</p>  <p>x4</p>	<p>136917</p>  <p>x4</p>	<p>202689</p>  <p>x8</p>	<p>3804</p>  <p>x3 KPL</p>

1

4066



x8

IN01613

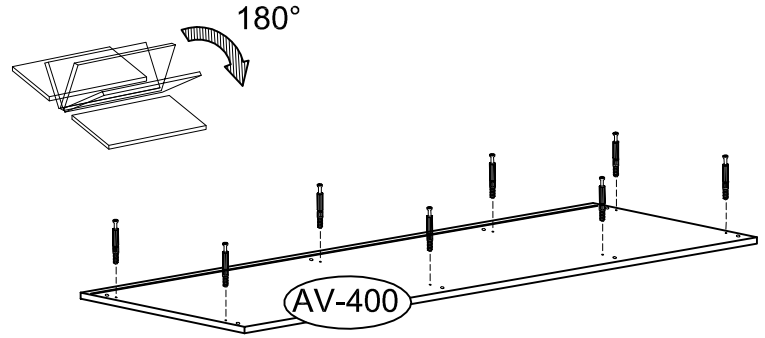
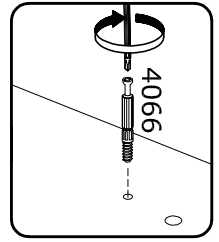
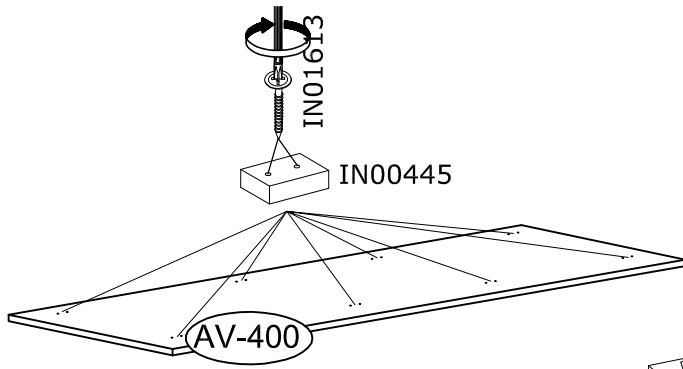


x16

IN00445



x8



2

3996



x8

3989



x8

4017



x4

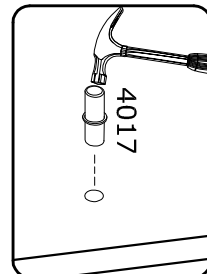
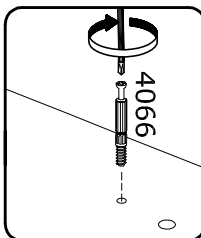
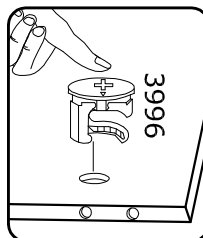
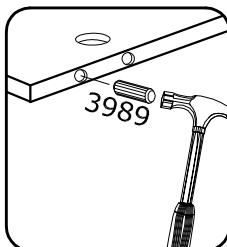
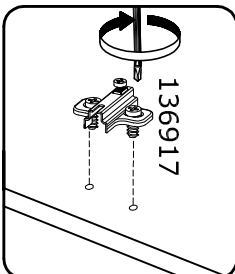
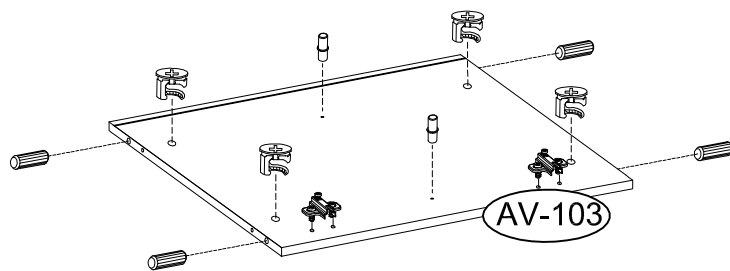
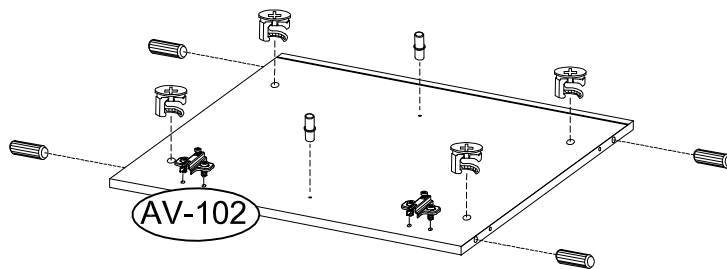
136917



x4



+



3

4066



x3

3996



x4

3989



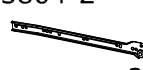
x4

4017



x2

3804-2

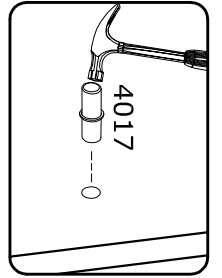
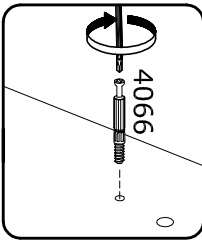
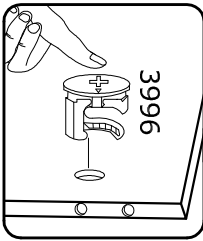
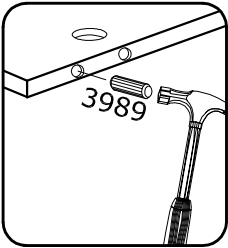
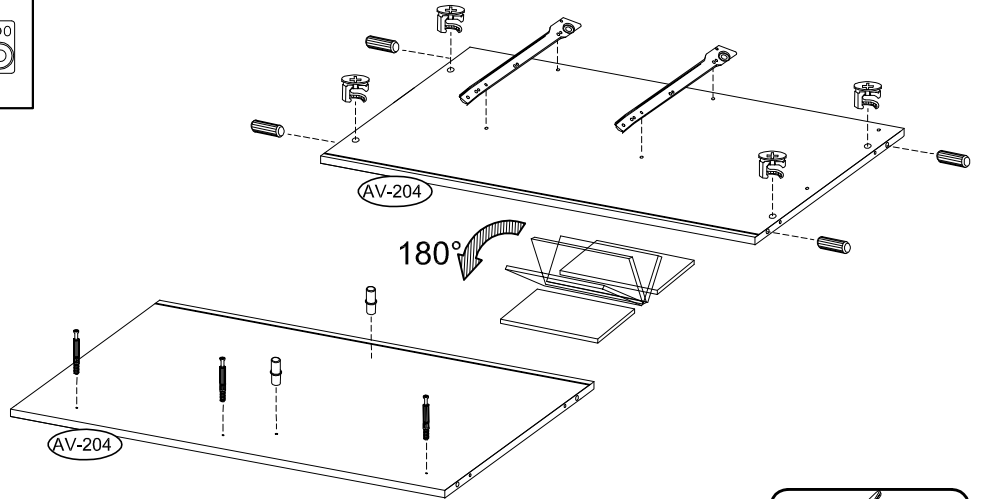
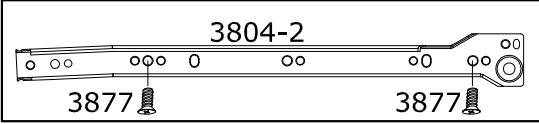


x2

3877



x4



4

4066



x3

3996



x4

3989



x4

4017



x2

3804-1

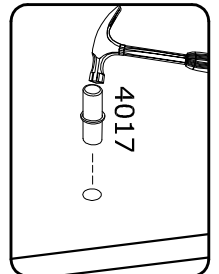
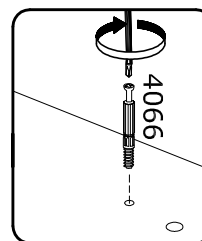
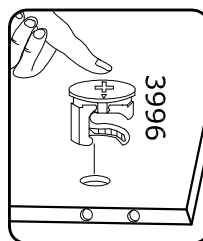
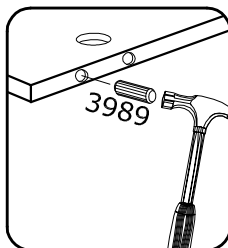
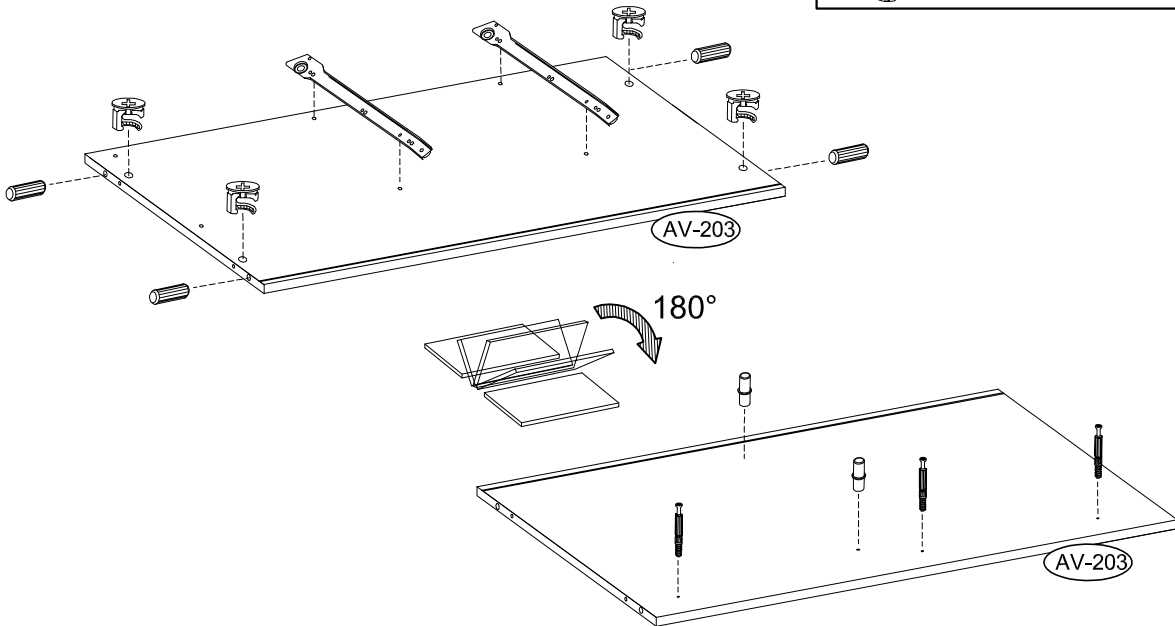
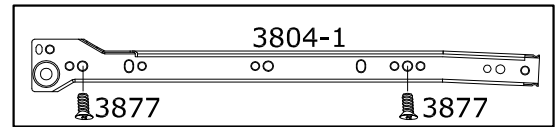


x2

3877



x4



5

4066



x6

3996

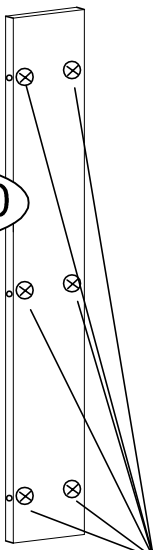


x12



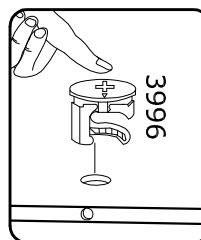
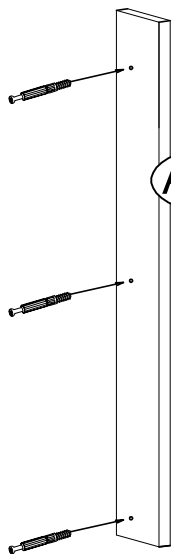
x2

AV-850

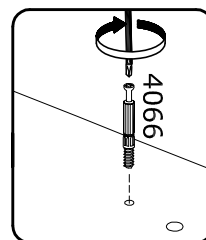


x2

AV-851



3996



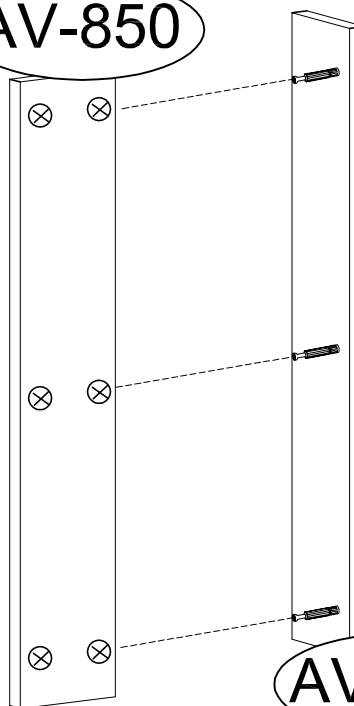
4066

6

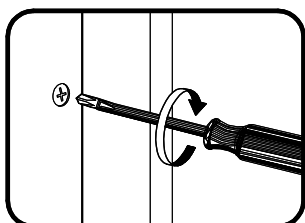
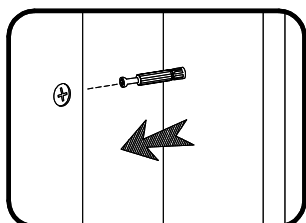


x2

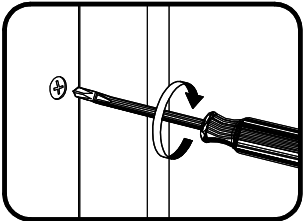
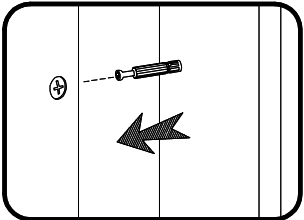
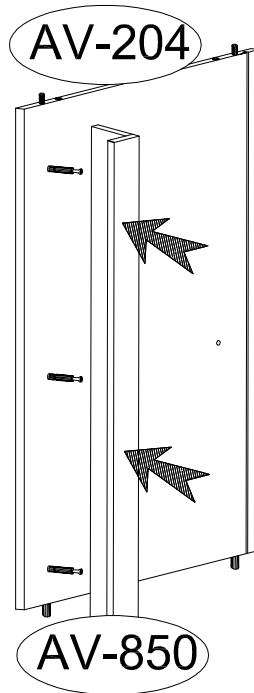
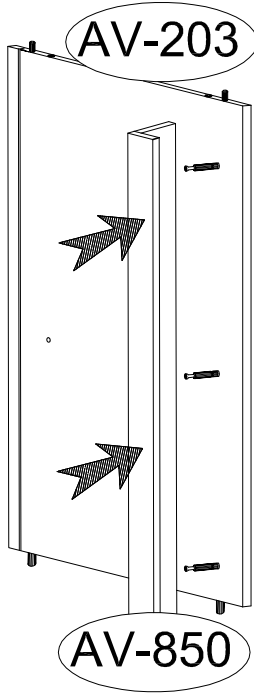
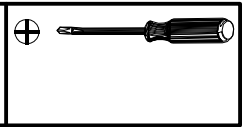
AV-850



AV-851

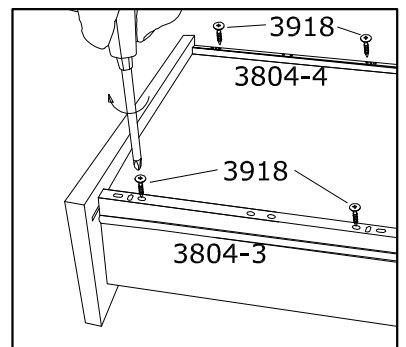
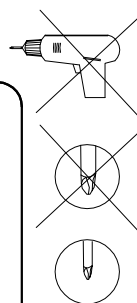
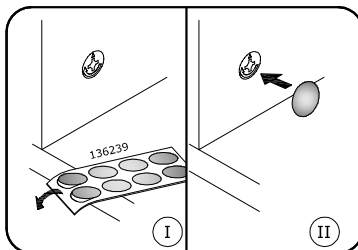
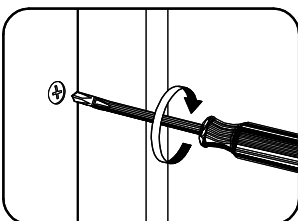
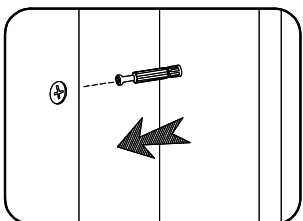
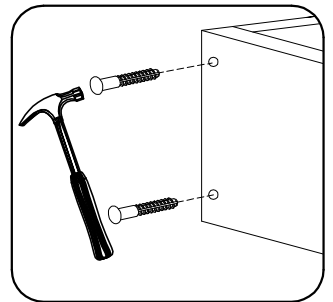
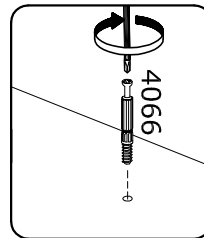
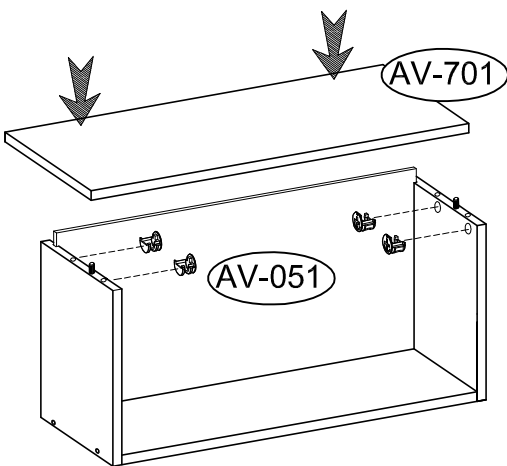
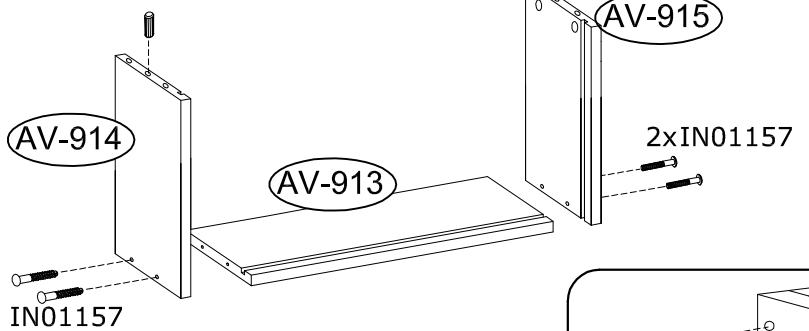
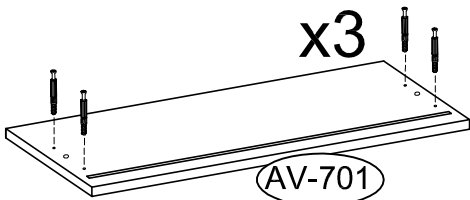


7



8

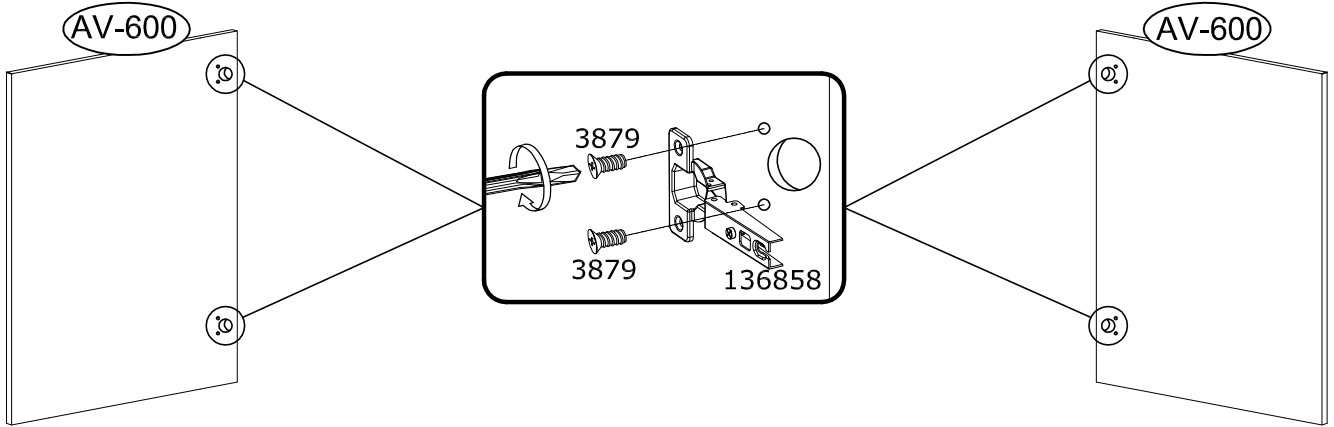
3989 x6	IN01157 x12	3918 x12	4066 x12	3804-3 x3	3804-4 x3	3996 x12	
136239 x12							



9

136858
x4

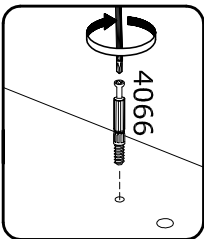
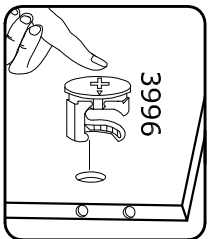
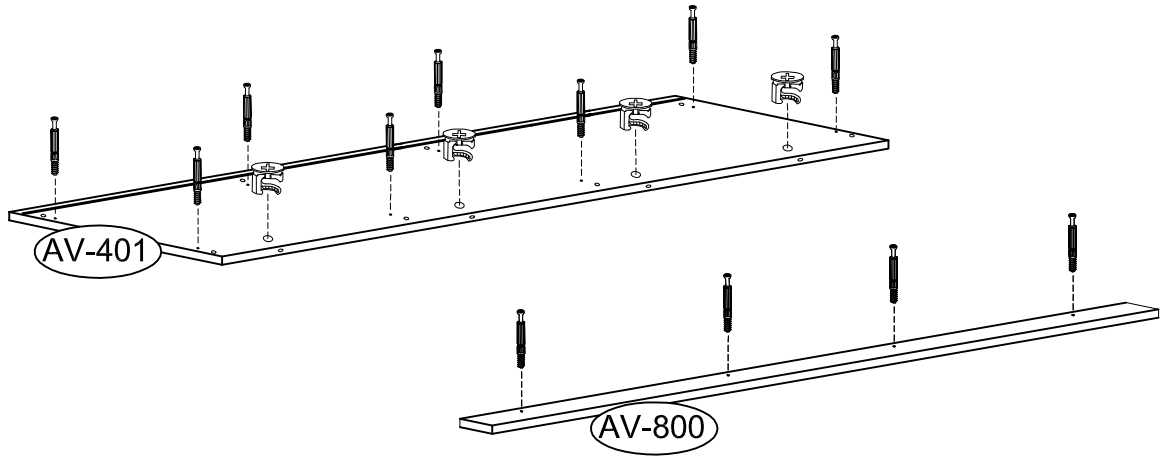
3879
x8



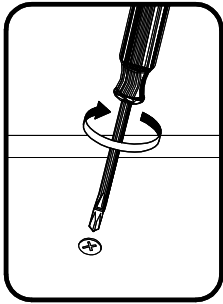
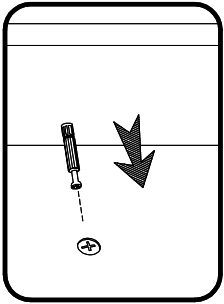
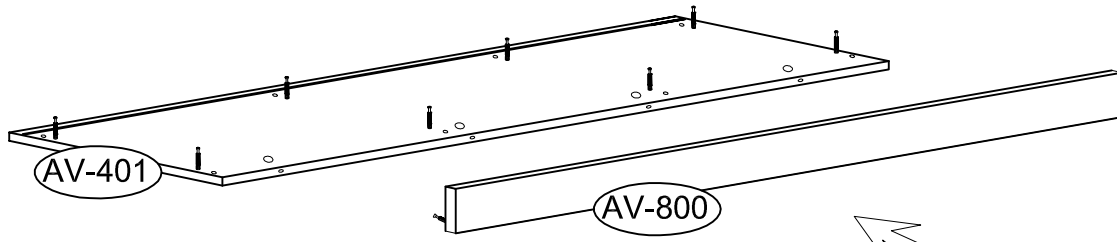
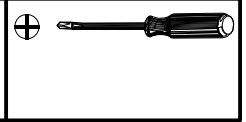
10

4066
x12

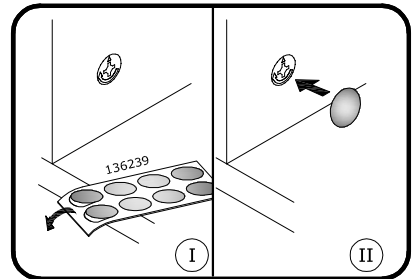
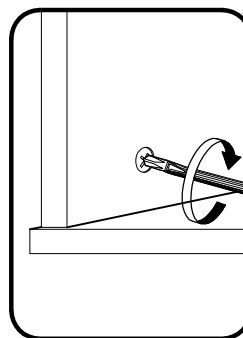
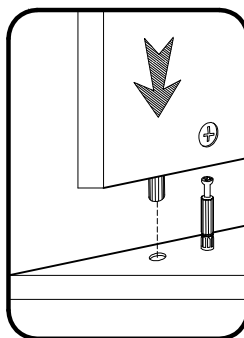
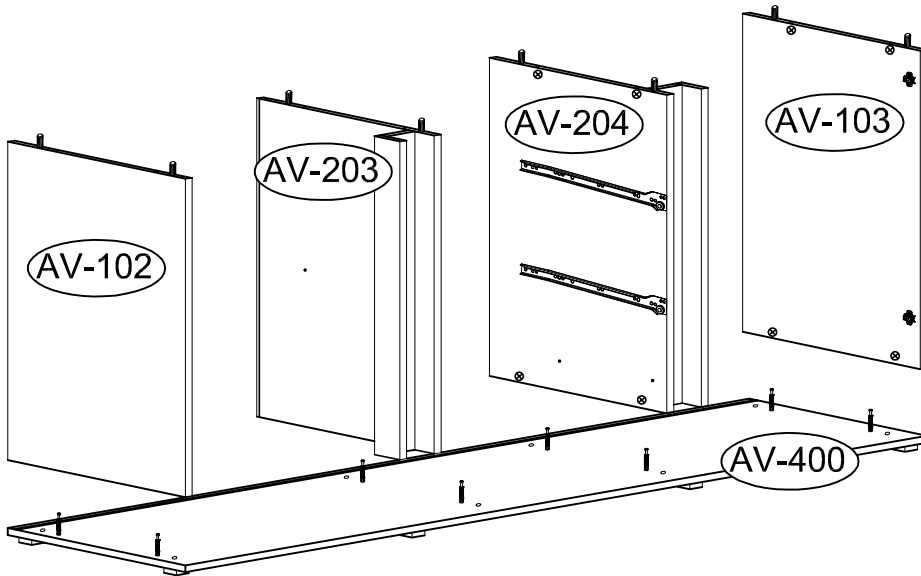
3996
x4



11



12

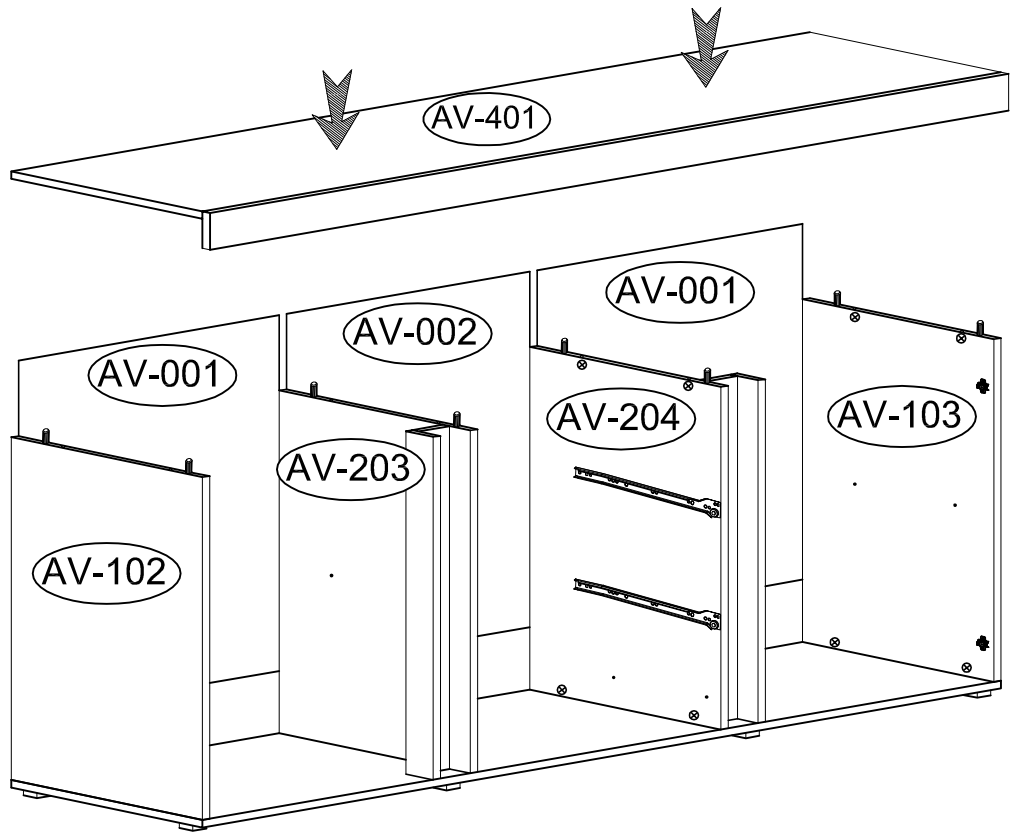
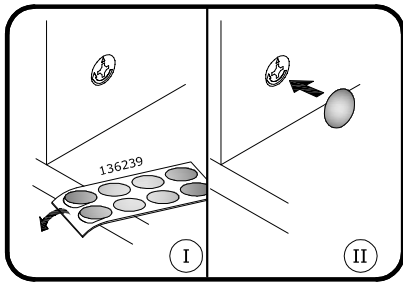
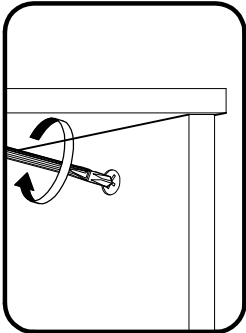
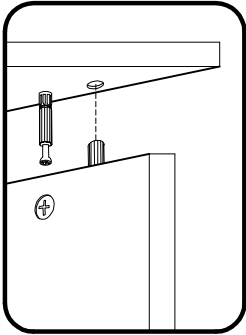


13

136239



x4

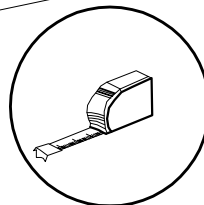
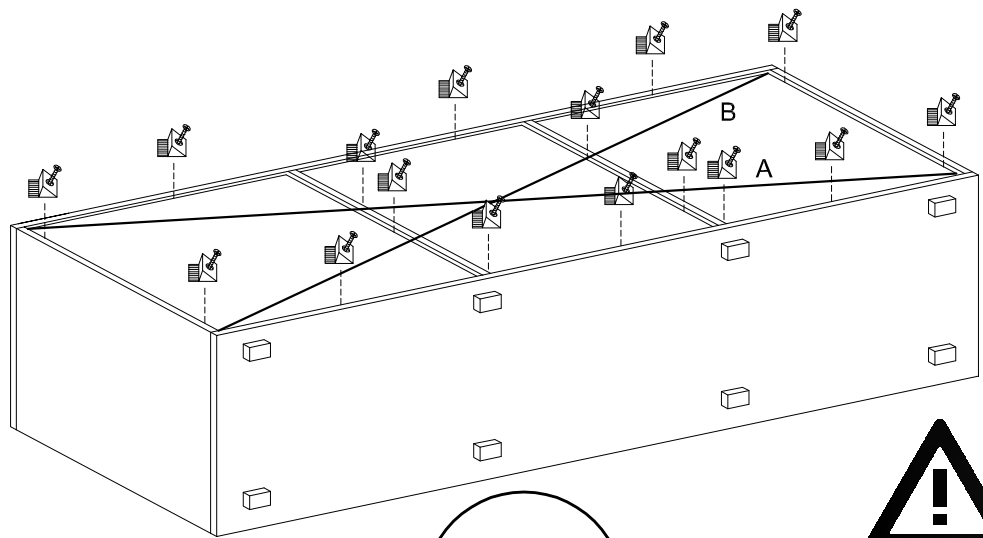
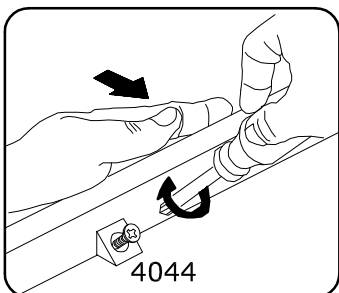
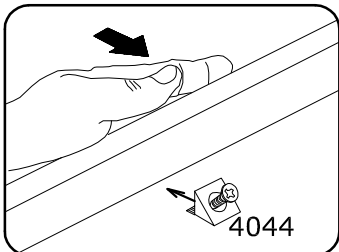


14

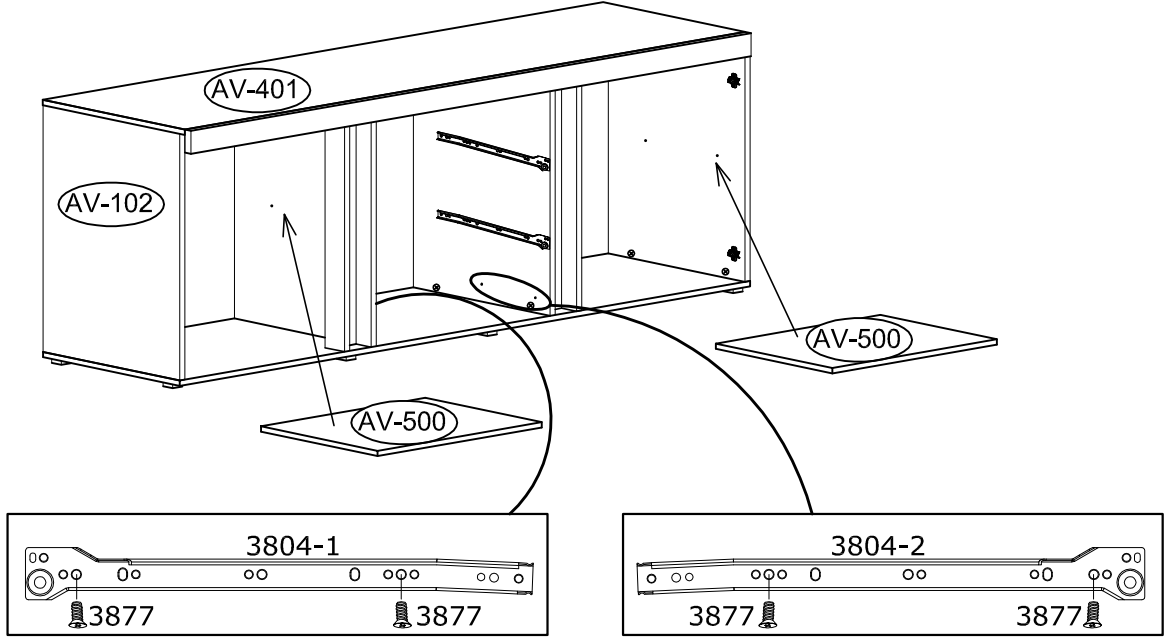
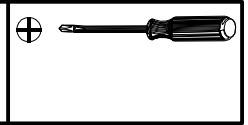
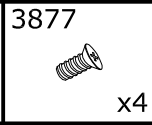
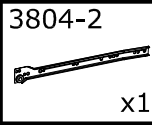
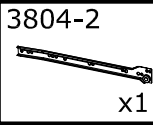
4044



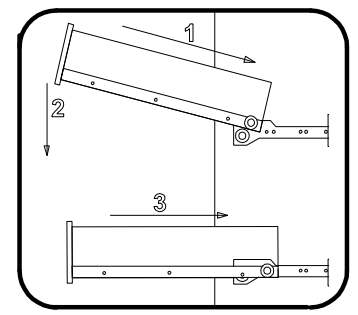
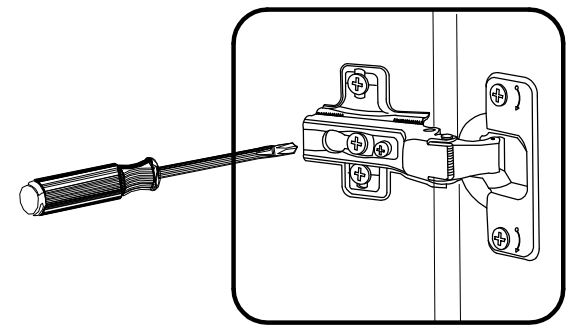
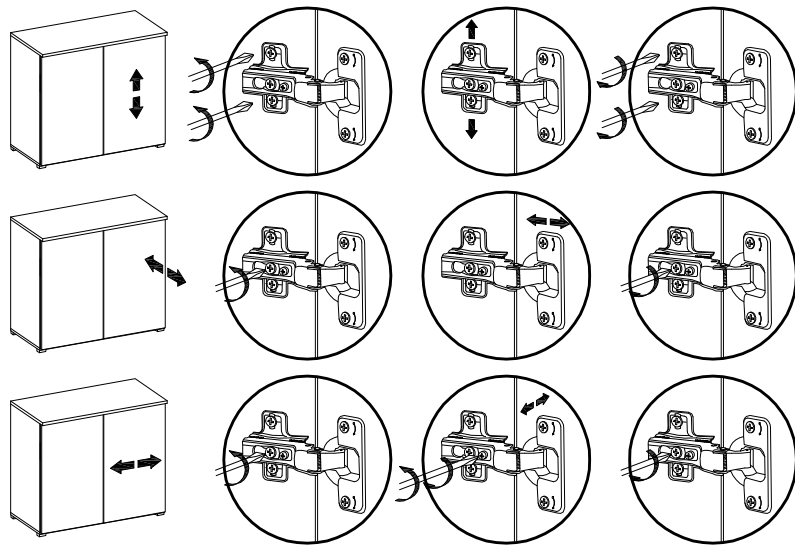
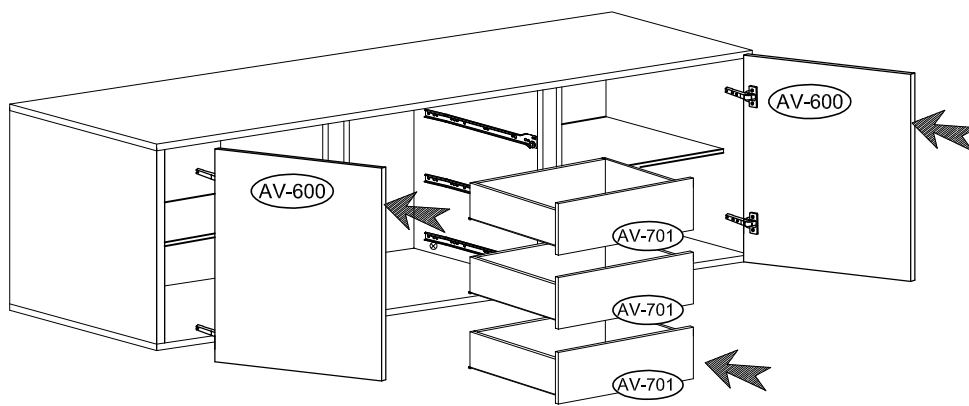
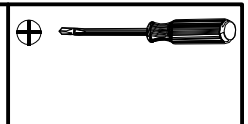
x18



15

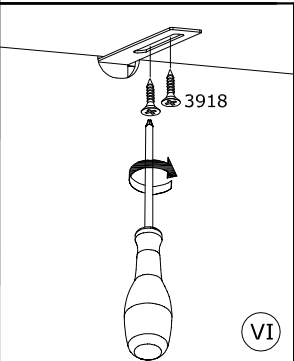
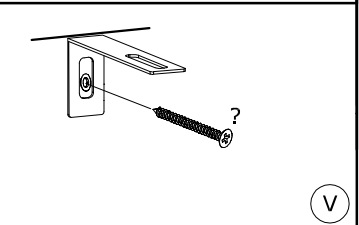
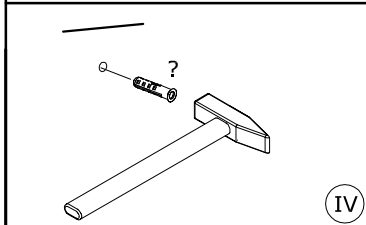
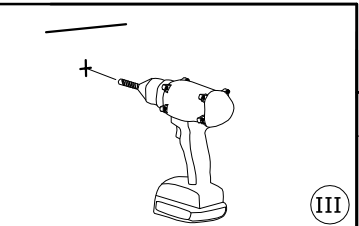
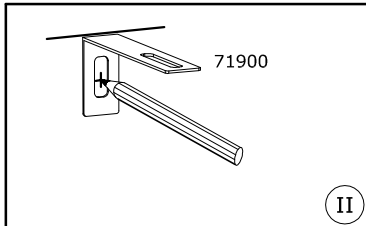
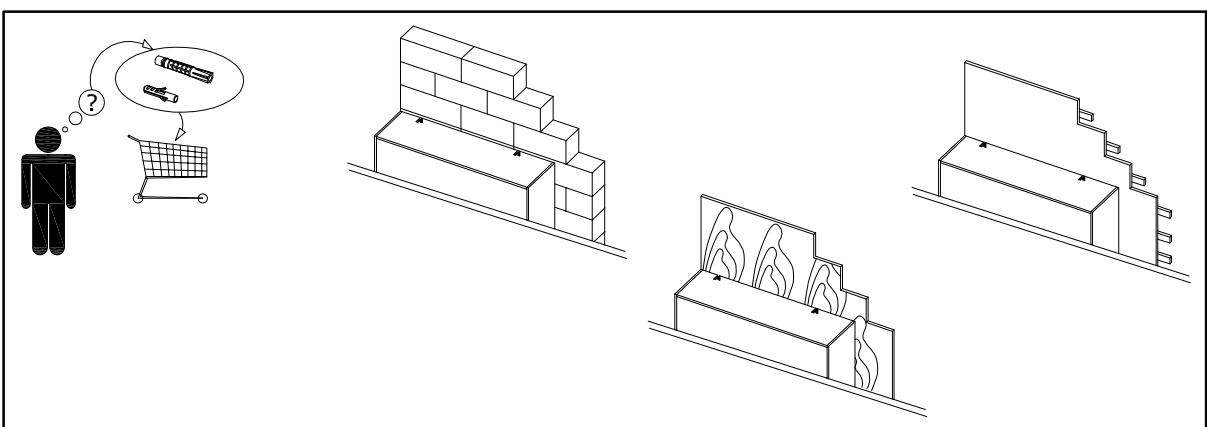
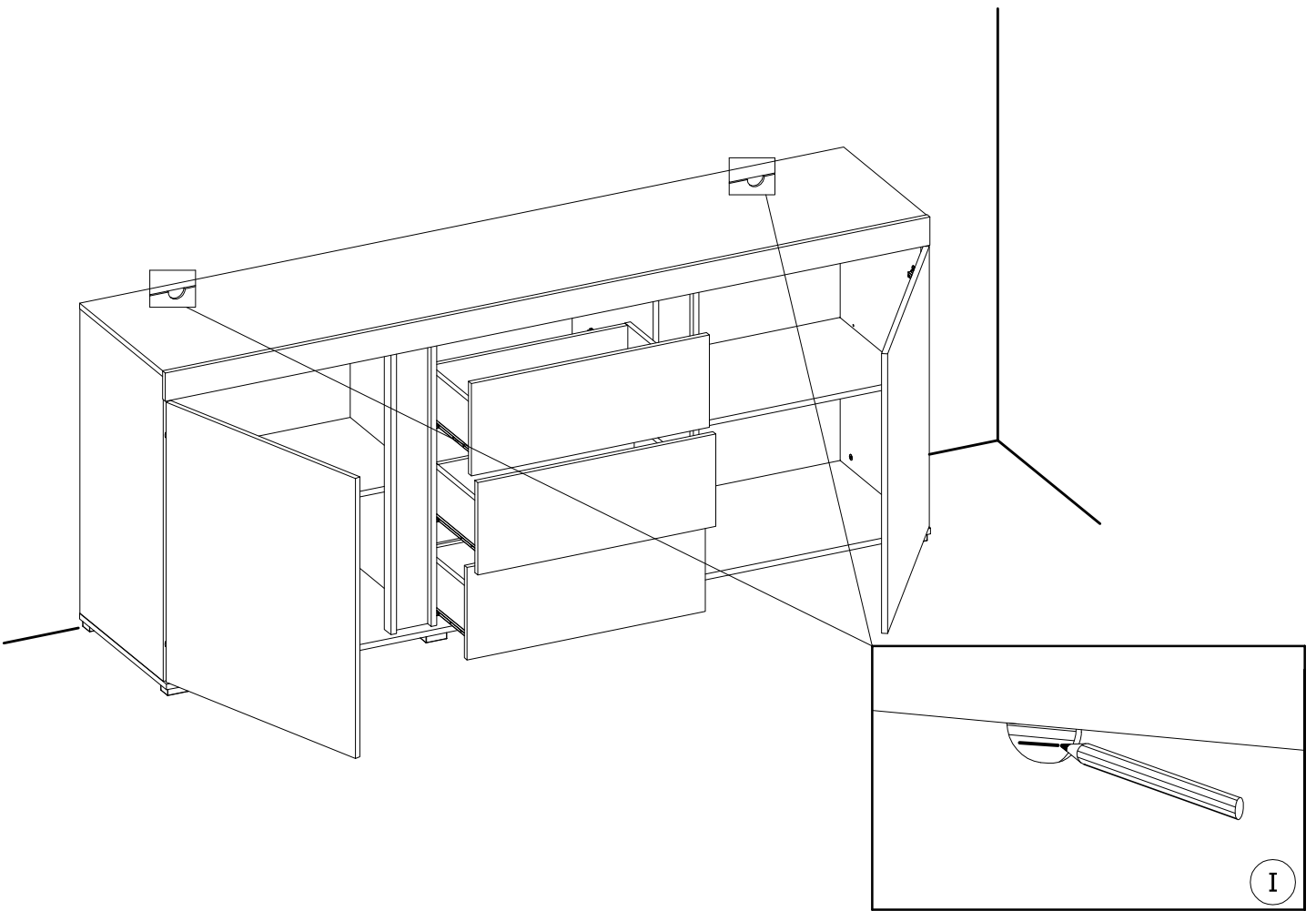
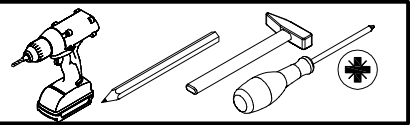


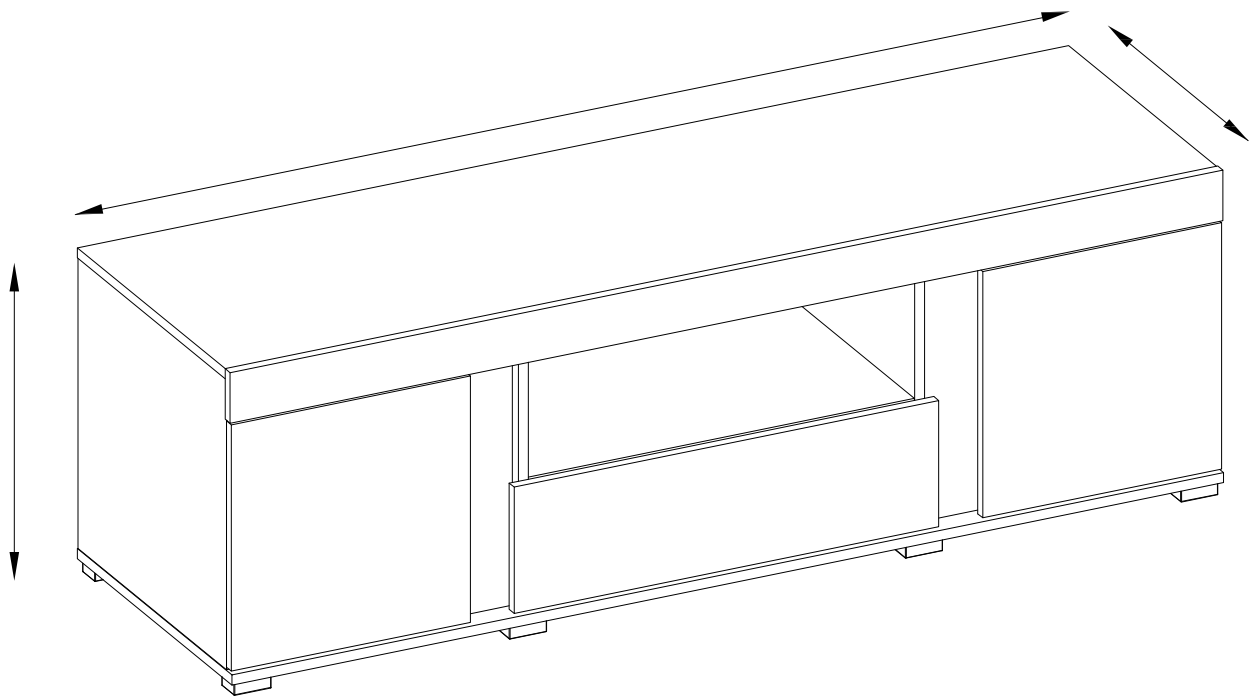
16

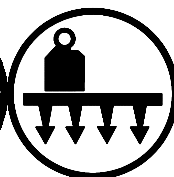
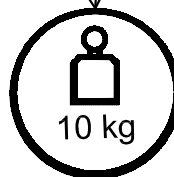
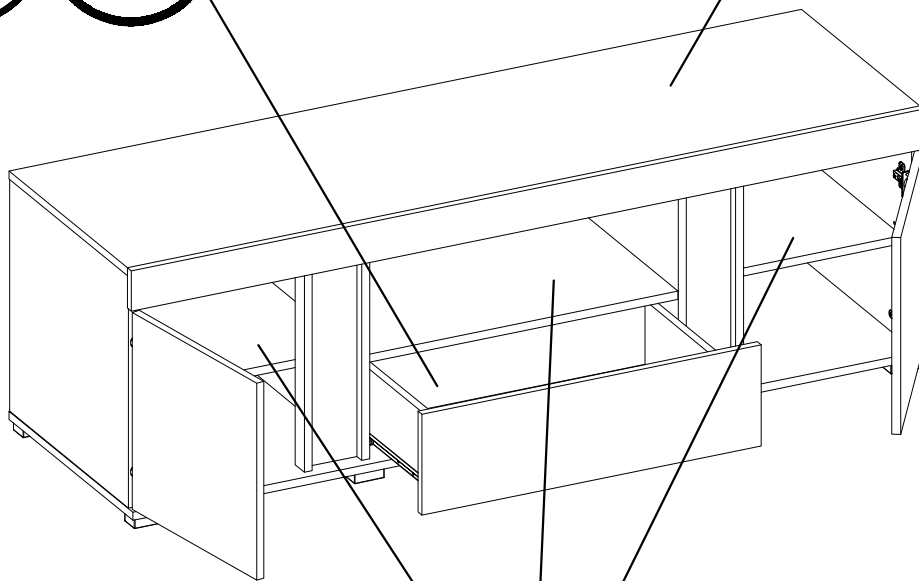
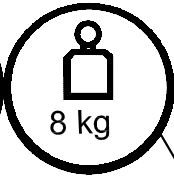
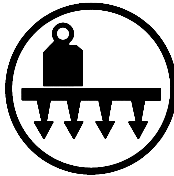
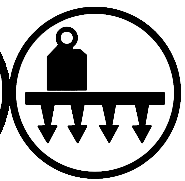
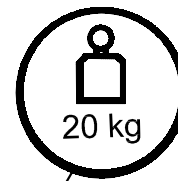
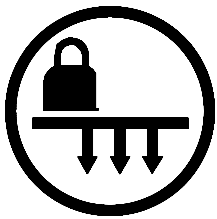
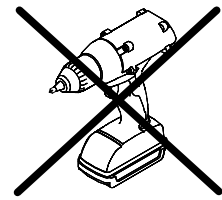
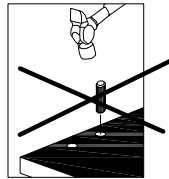
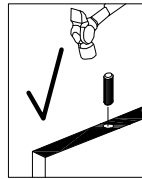
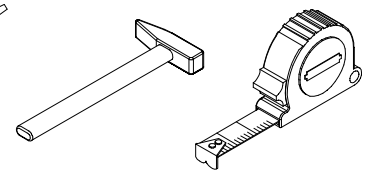
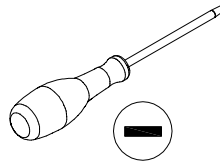
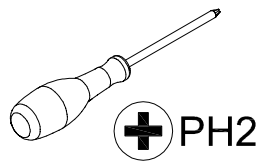
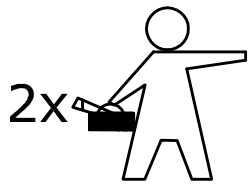


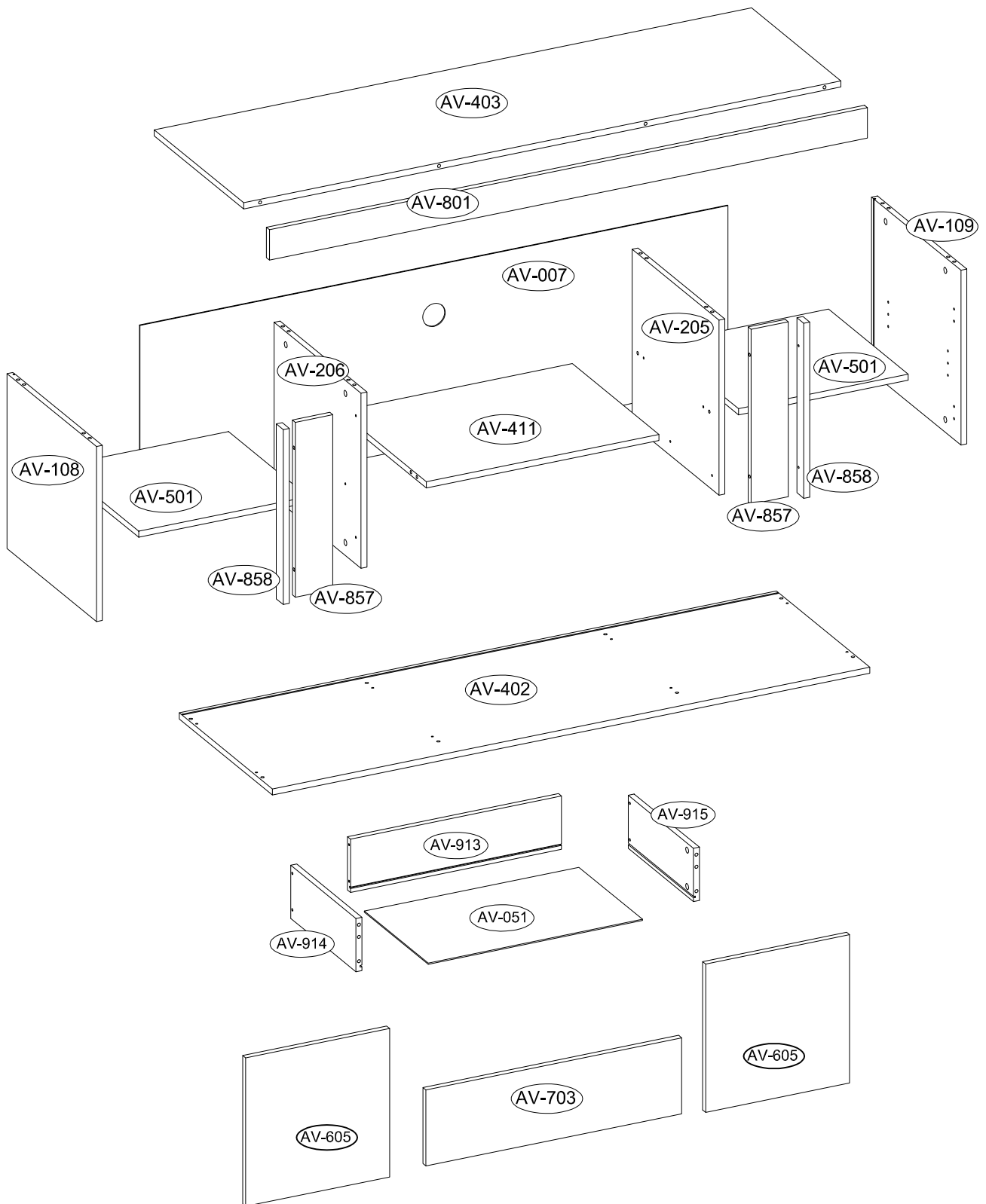
3918
x4

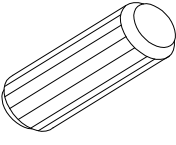
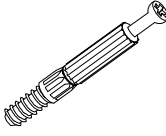
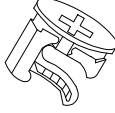
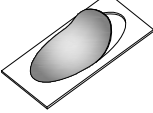
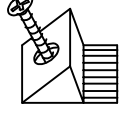
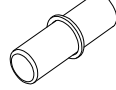
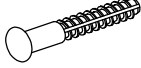




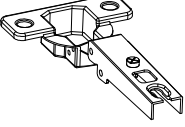
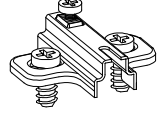
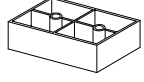
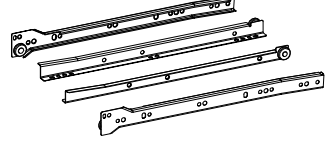

71900
x2



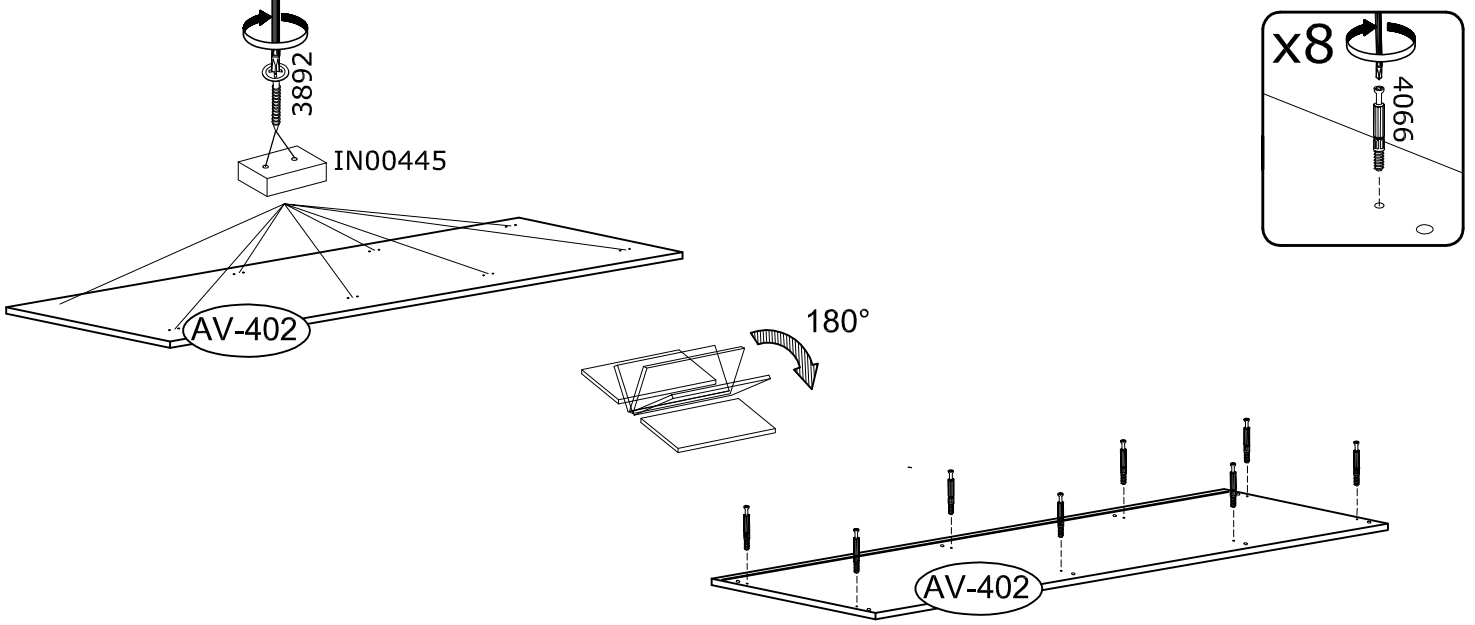




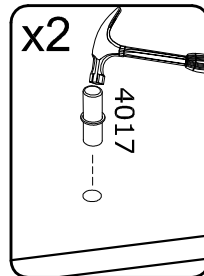
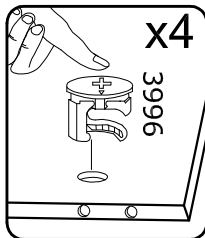
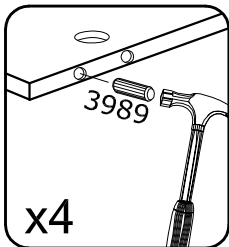
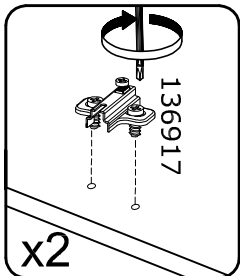
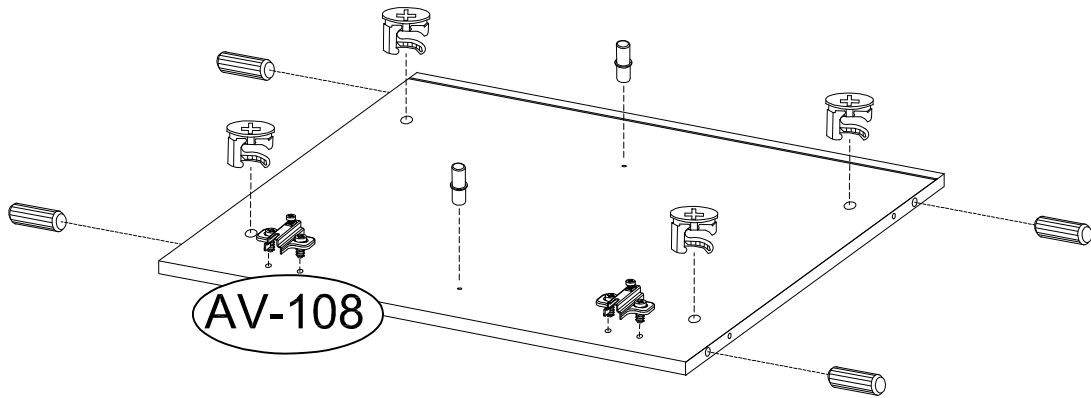
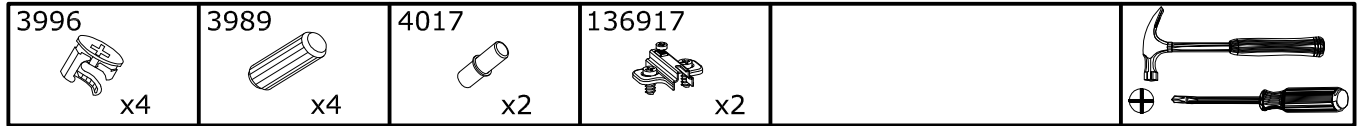


<p>3989</p>  <p>Ø8x30mm x22</p>	<p>4066</p>  <p>x36</p>	<p>3996</p>  <p>x36</p>	<p>136239</p>  <p>Ø20 x12</p>
<p>4044</p>  <p>x10</p>	<p>4017</p>  <p>x8</p>	<p>IN01157</p>  <p>x4</p>	<p>3892</p>  <p>Ø4.0x25mm x16</p>
<p>3879</p>  <p>Ø6.3x13mm x8</p>	<p>3877</p>  <p>Ø6.0x13mm x4</p>	<p>3918</p>  <p>Ø3.5x16mm x4</p>	<p>136858</p>  <p>x4</p>
<p>136917</p>  <p>x4</p>	<p>202689</p>  <p>x8</p>	<p>3804</p>  <p>x1 KPL</p>	<p>4034</p>  <p>Ø60x4 mm x1</p>




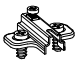

1

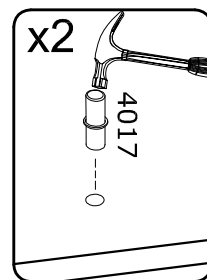
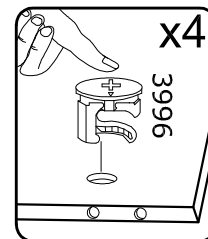
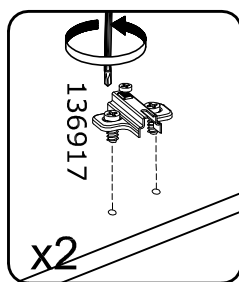
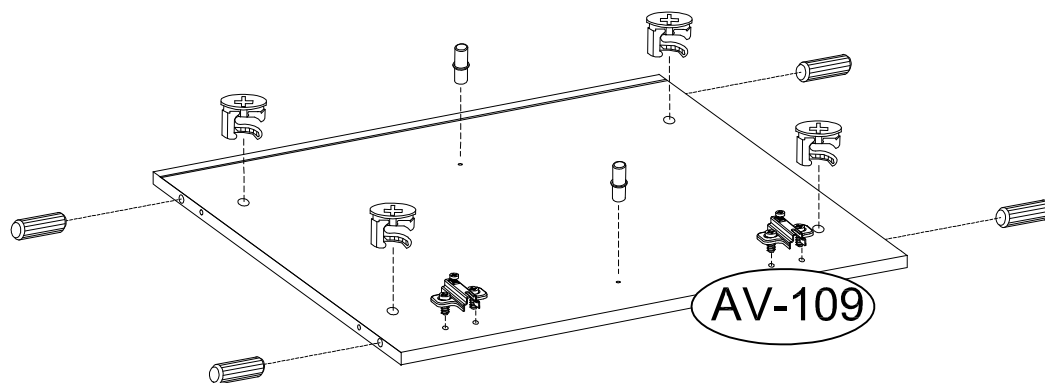


2



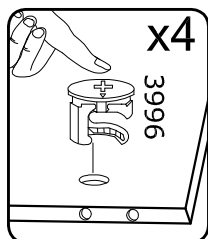
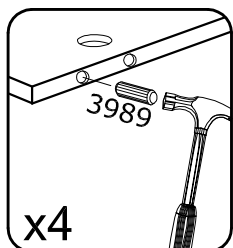
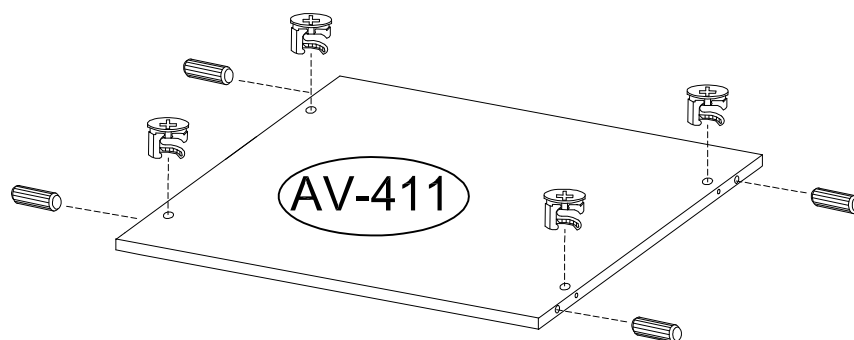
3

3996  x4	3989  x4	4017  x2	136917  x2		
---	--	--	--	--	--

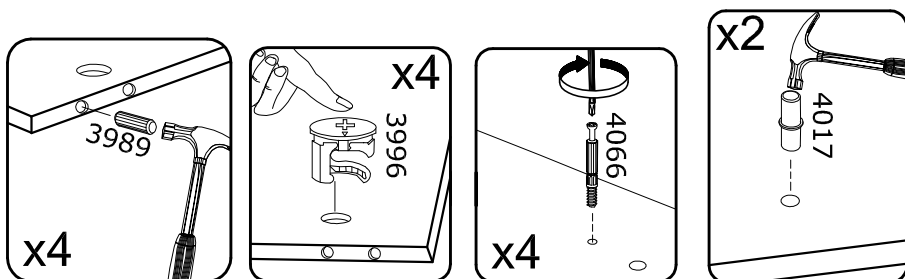
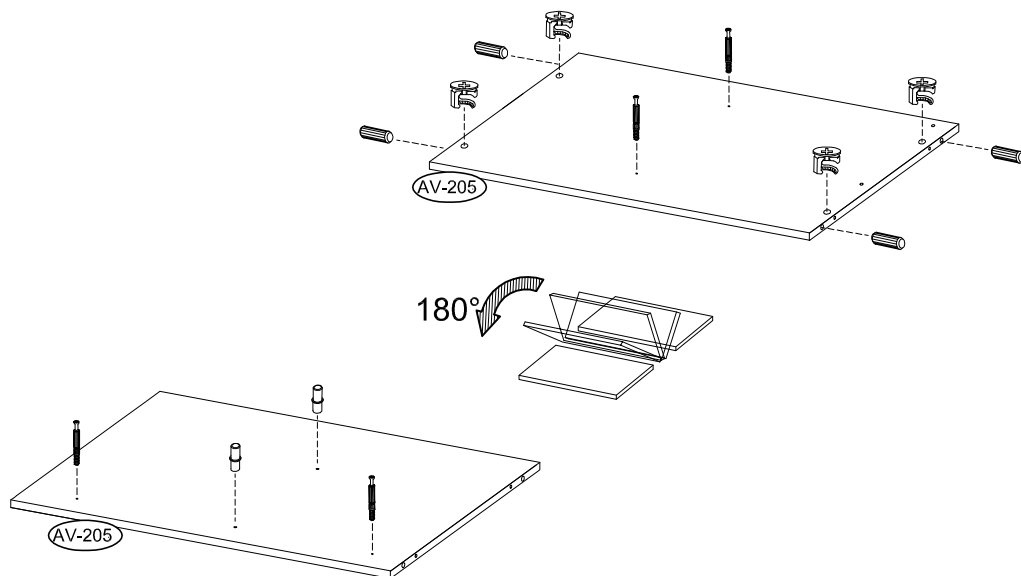
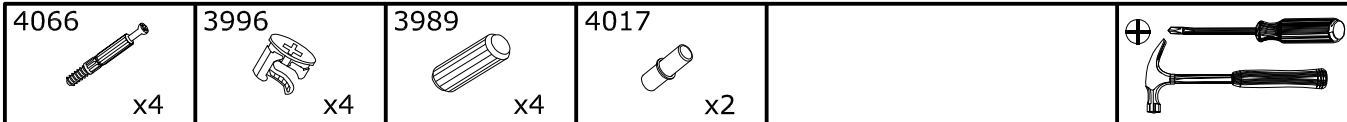


4

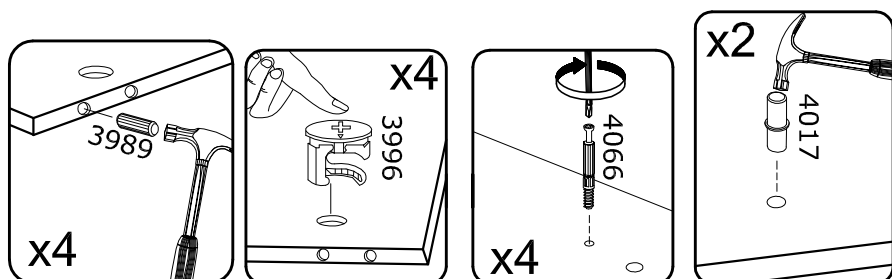
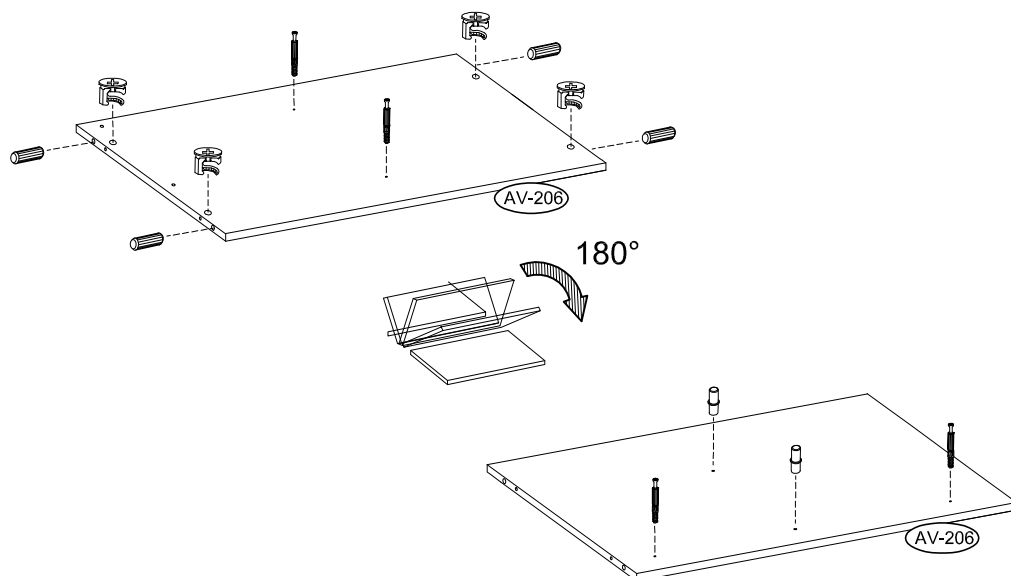
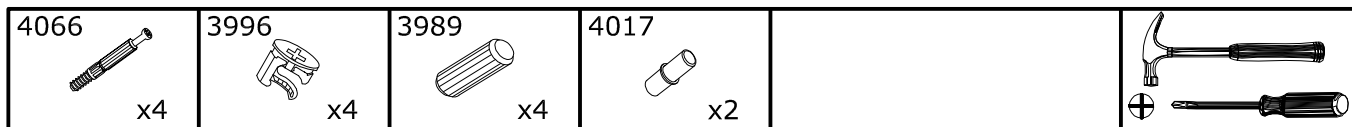
3996  x4	3989  x4		 
---	---	--	--



5



6



7

4066

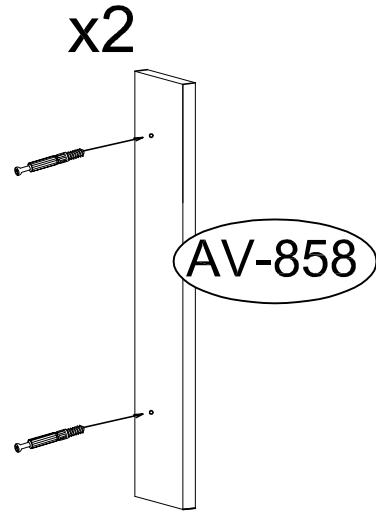
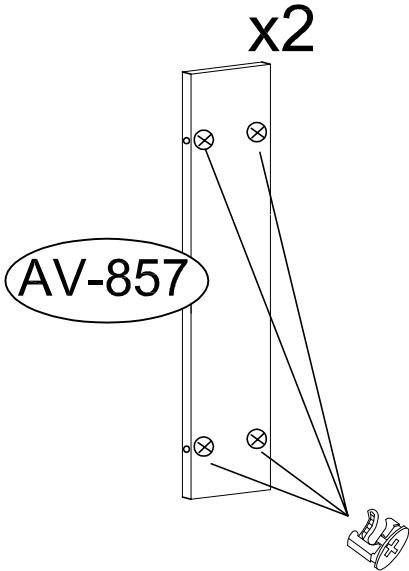


x4

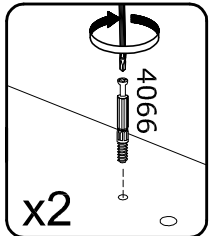
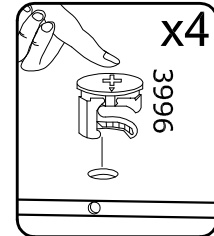
3996



x8



AV-858

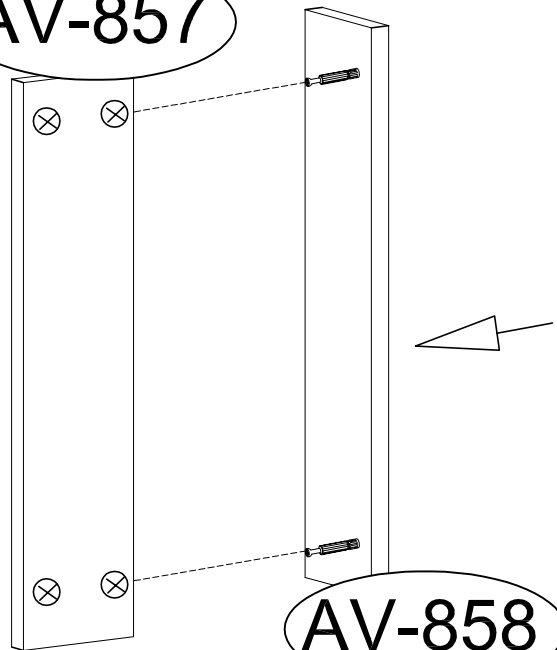


8

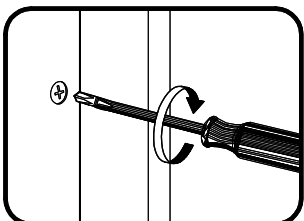
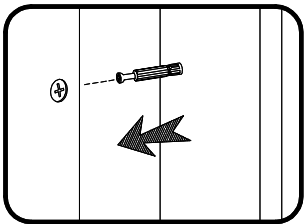


x2

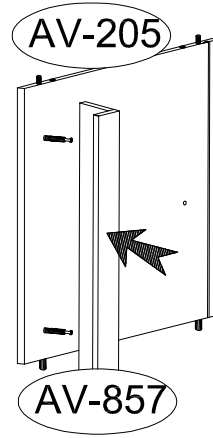
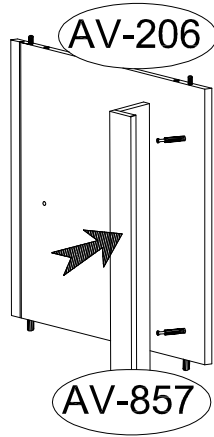
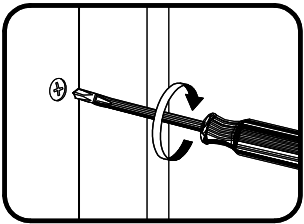
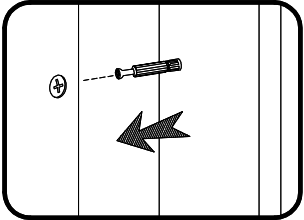
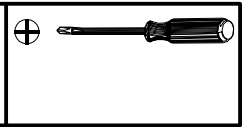
AV-857



AV-858



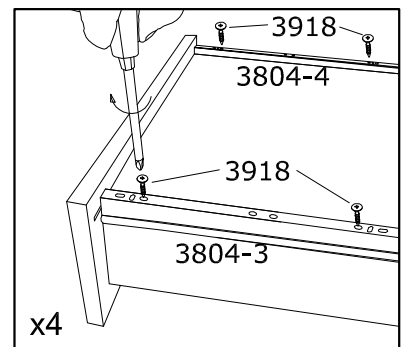
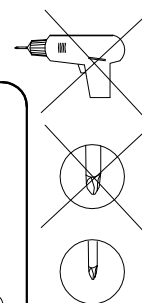
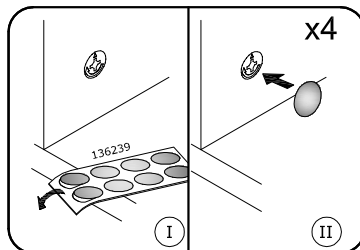
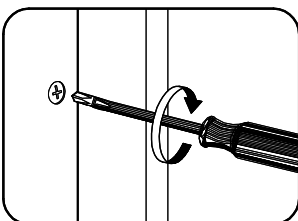
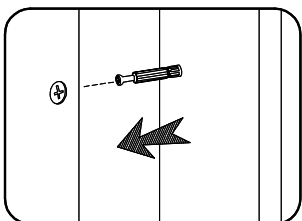
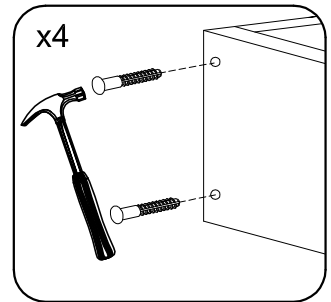
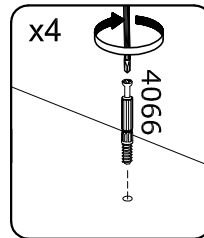
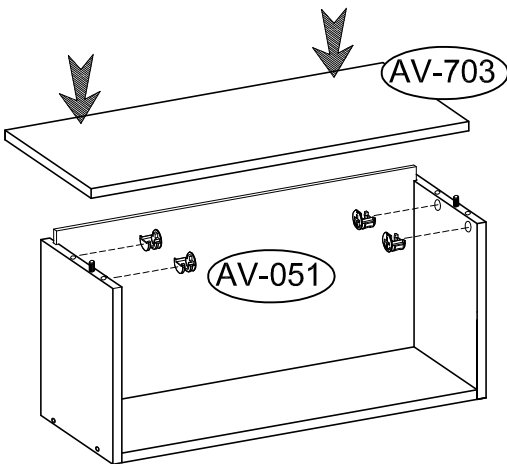
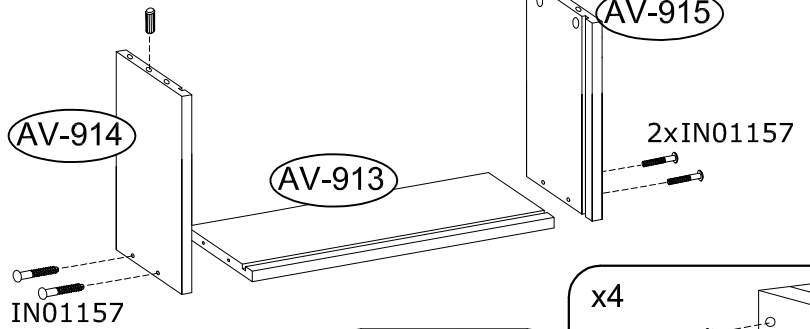
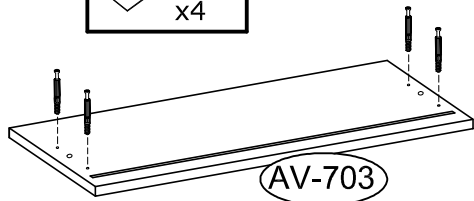
9



10

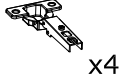
3989 x6	IN01157 x4	3918 x4	4066 x4	3804-3 x1	3804-4 x1	3996 x4	
----------------	-------------------	----------------	----------------	------------------	------------------	----------------	--

136239 x4



11

136858

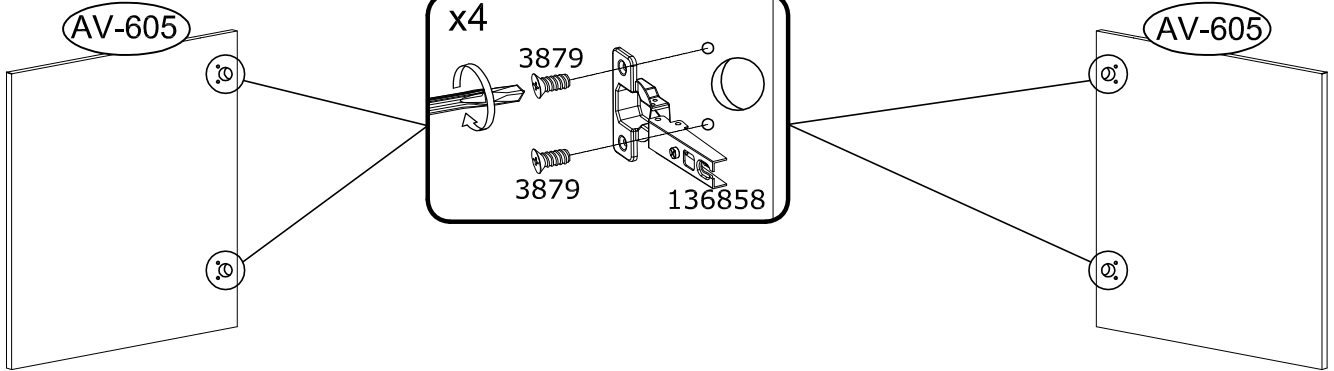


x4

3879



x8



12

4066

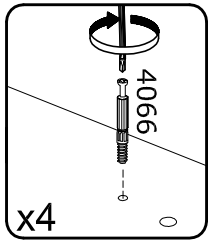
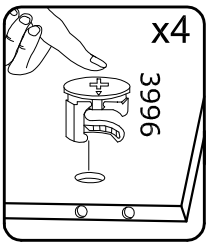
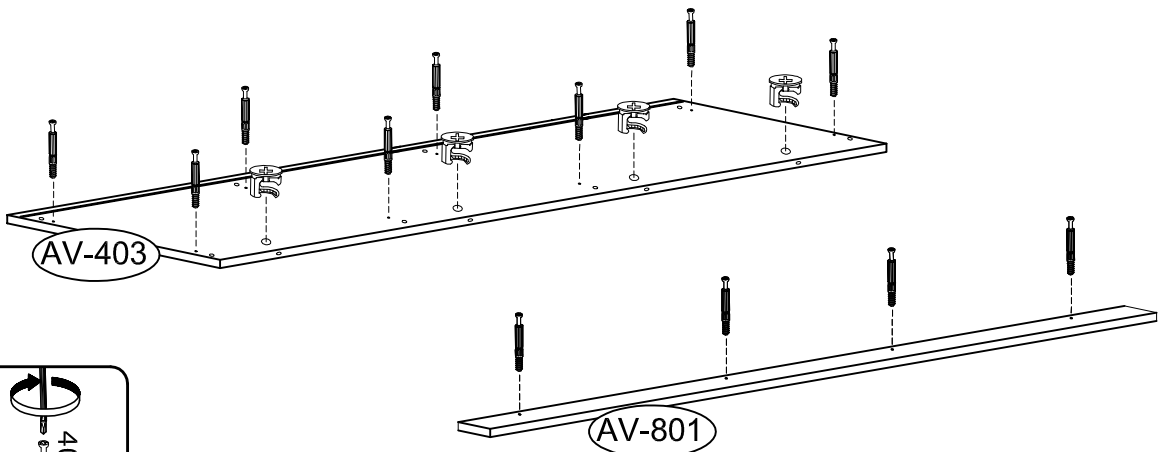


x12

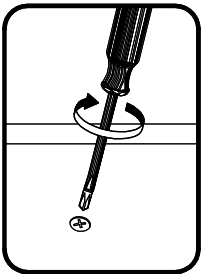
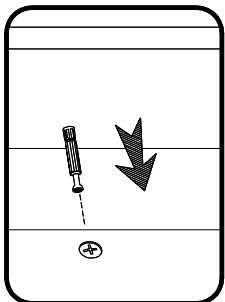
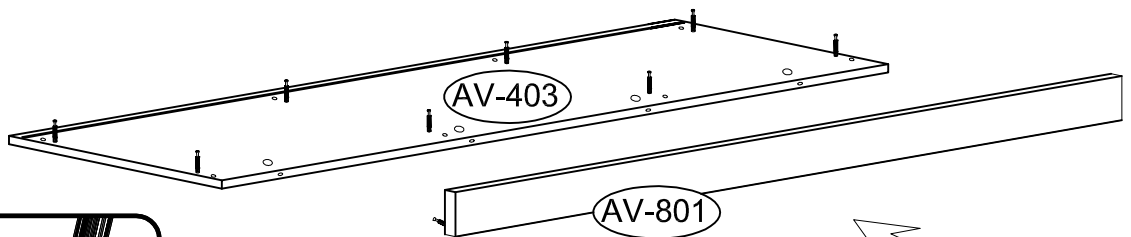
3996



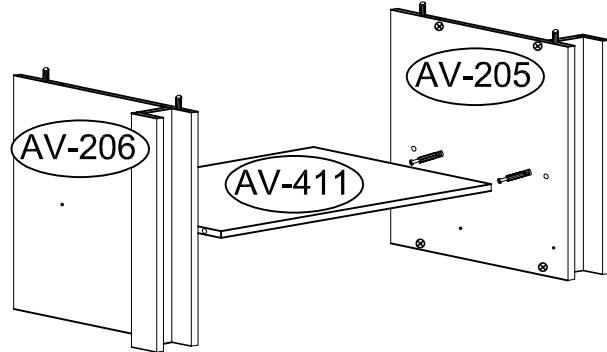
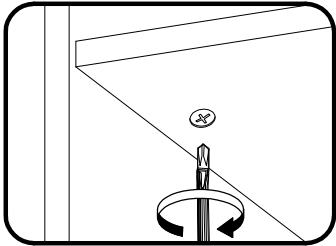
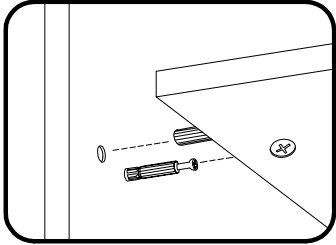
x4



13



14

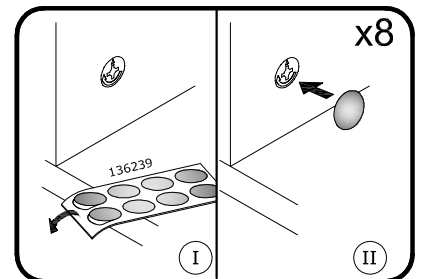
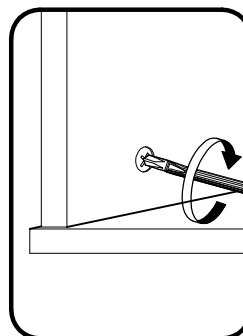
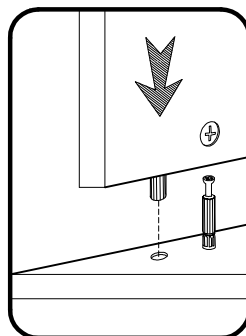
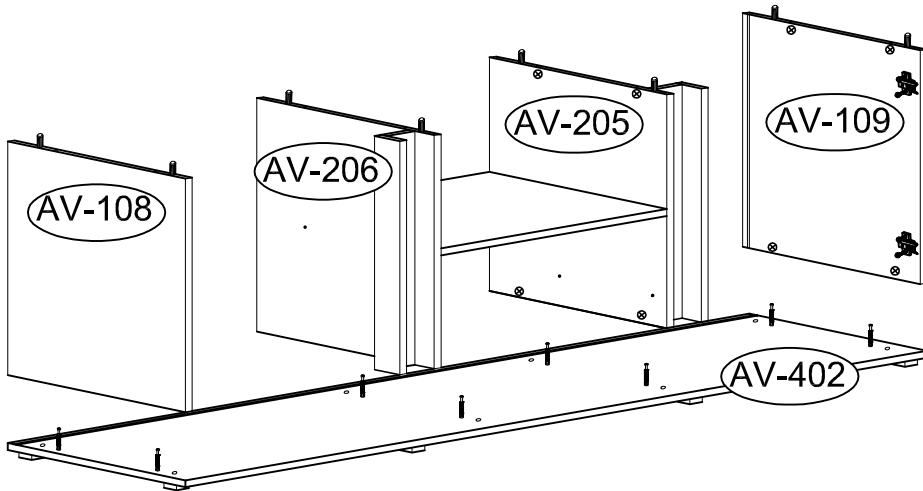


15

136239



x8



x8

136239

I

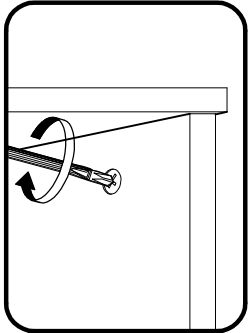
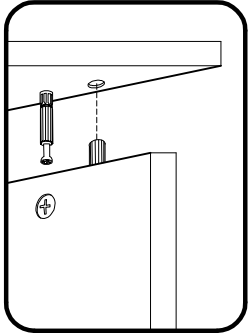
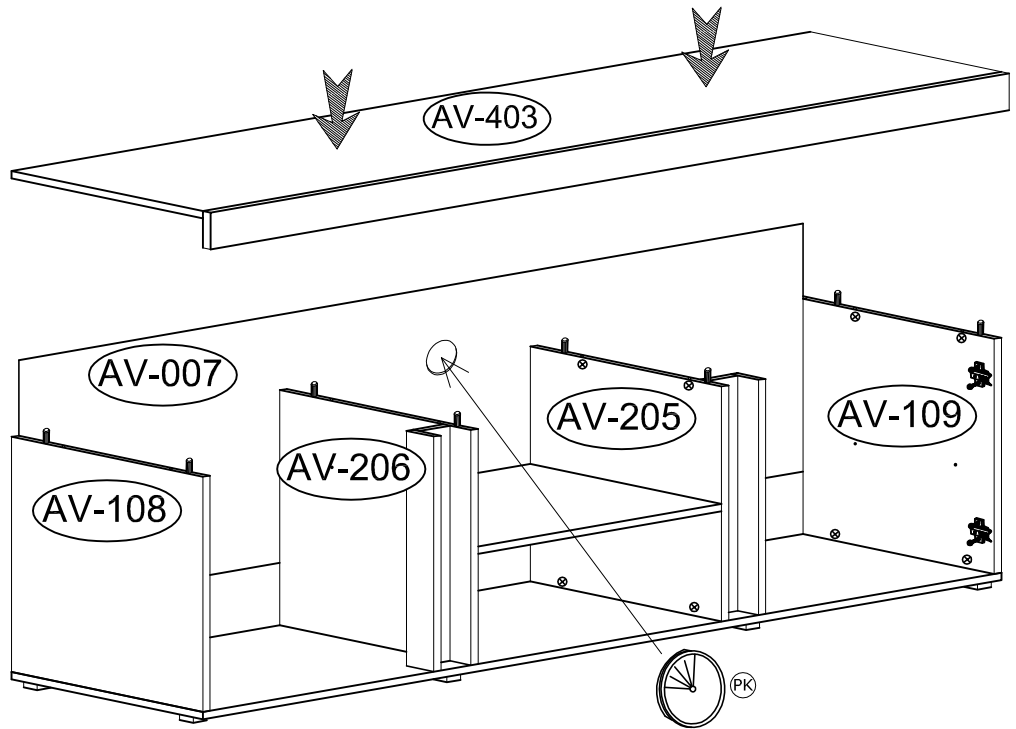
II

16

4034



x1

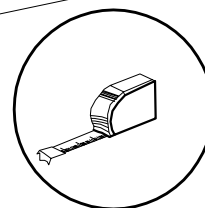
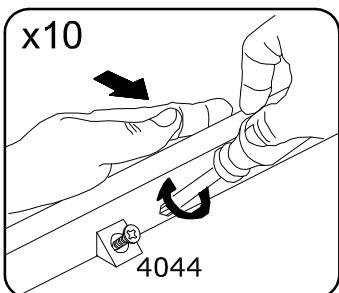
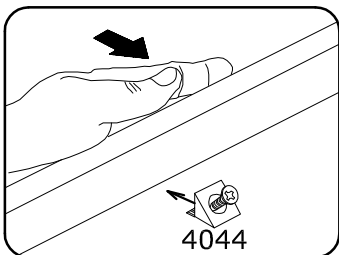
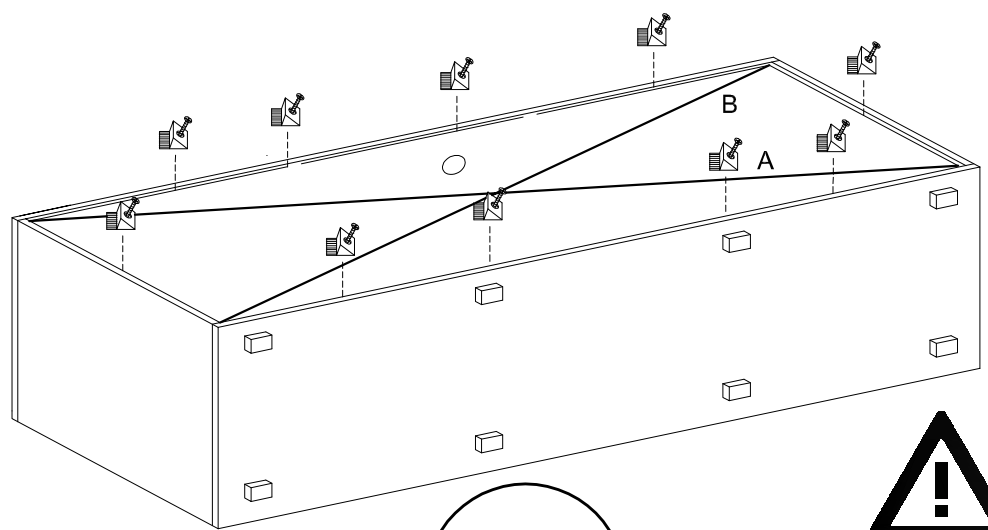


17

4044



x10



18

3877



x4

3804-1

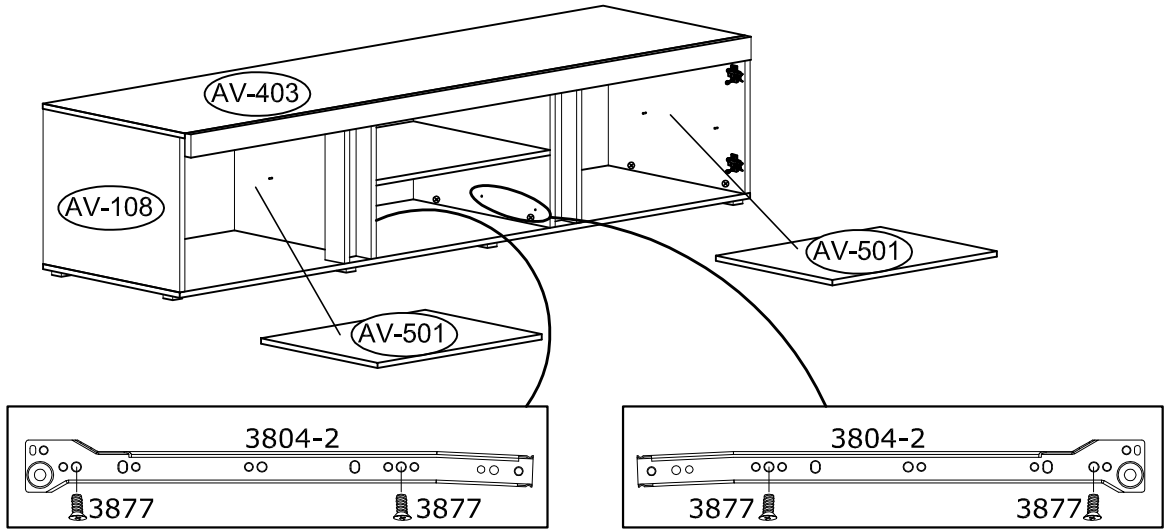


x1

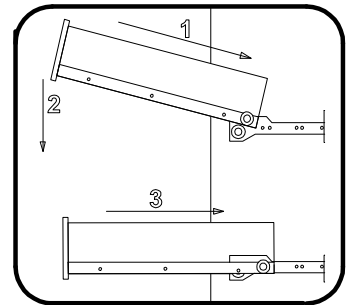
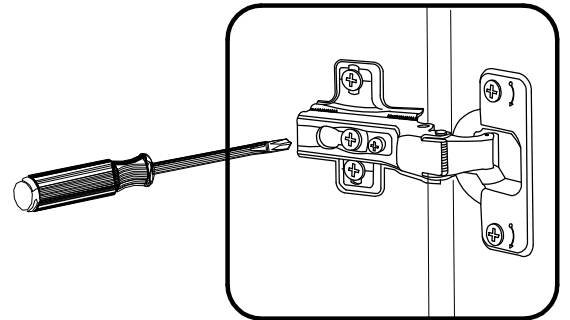
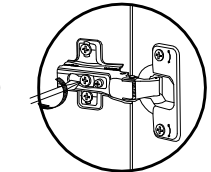
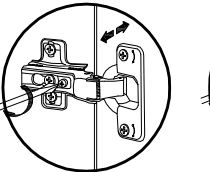
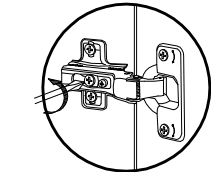
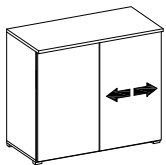
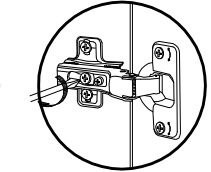
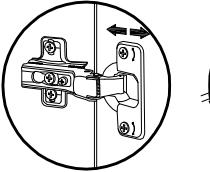
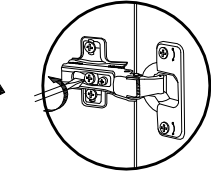
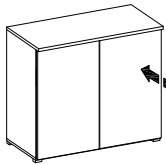
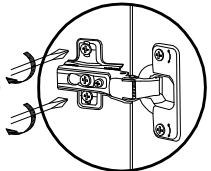
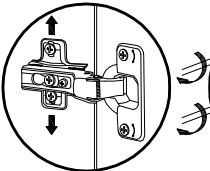
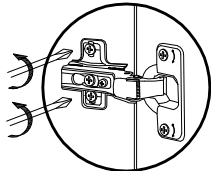
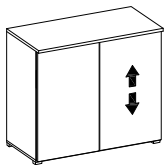
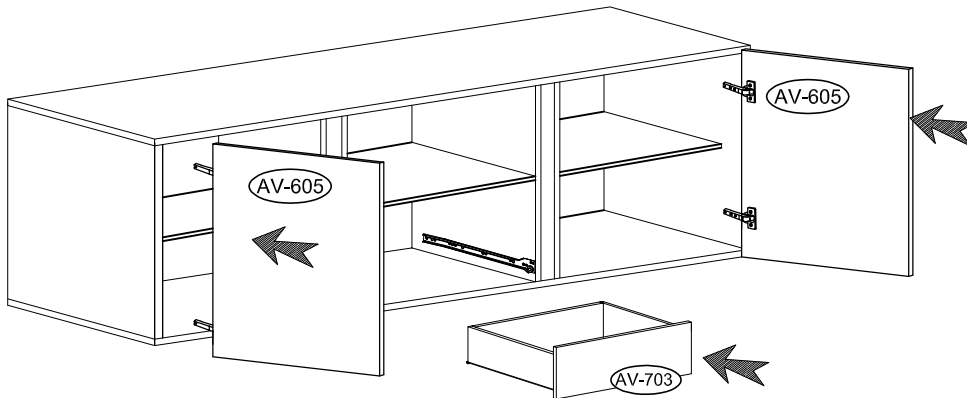
3804-2

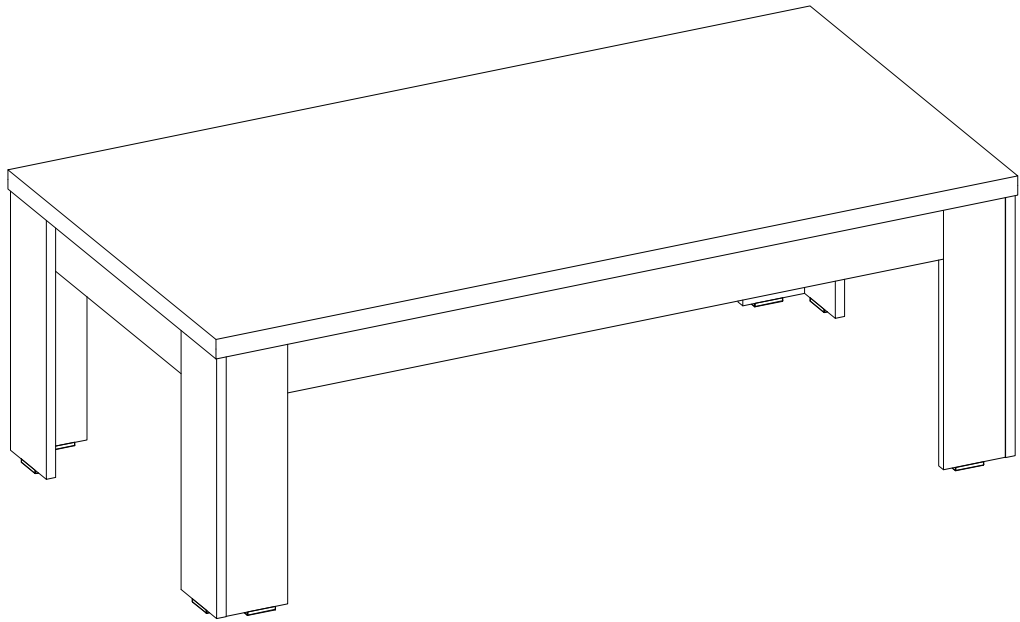


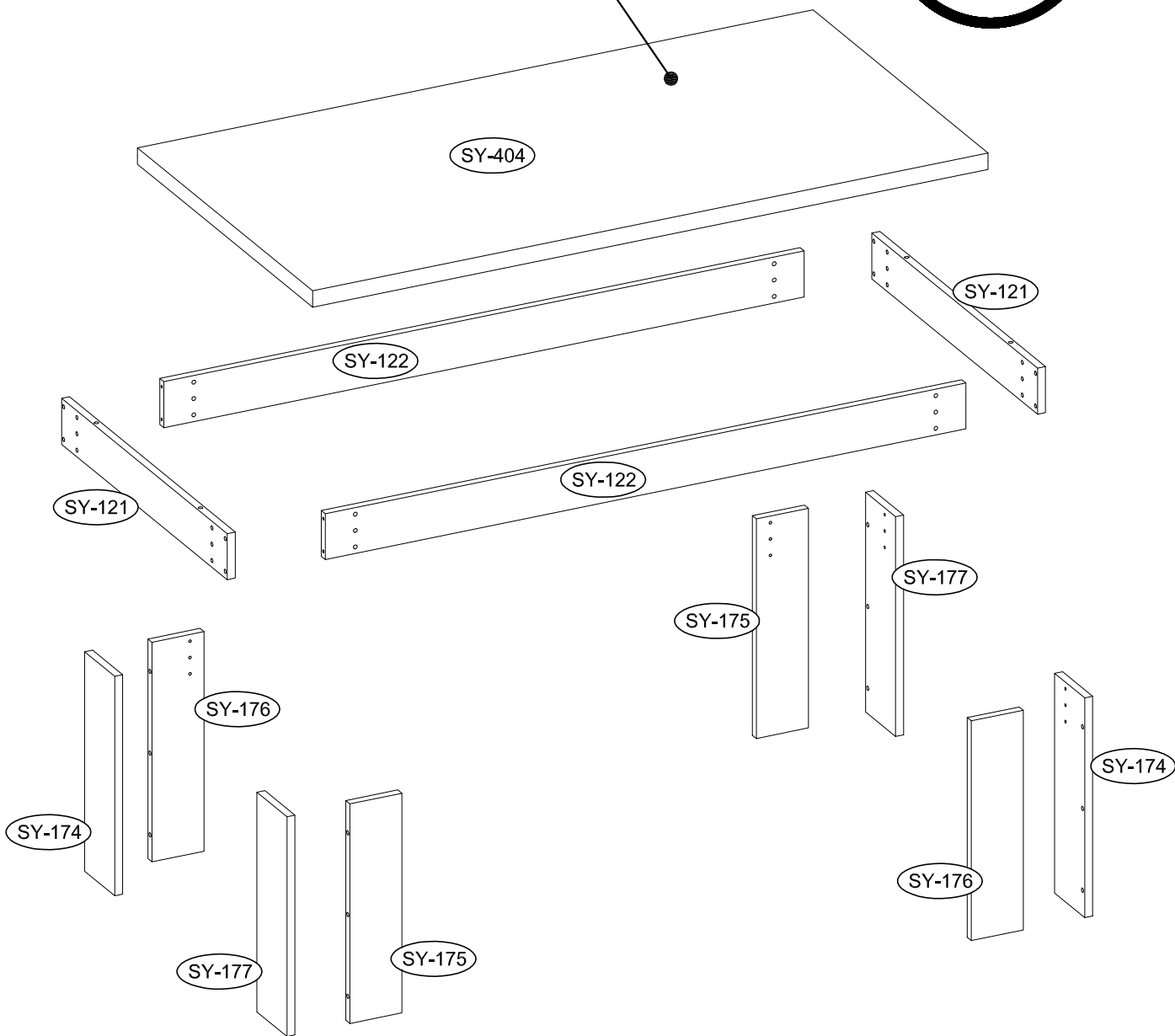
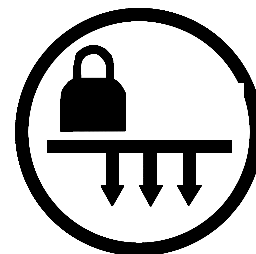
x1



19

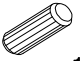
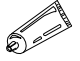
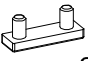
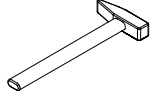


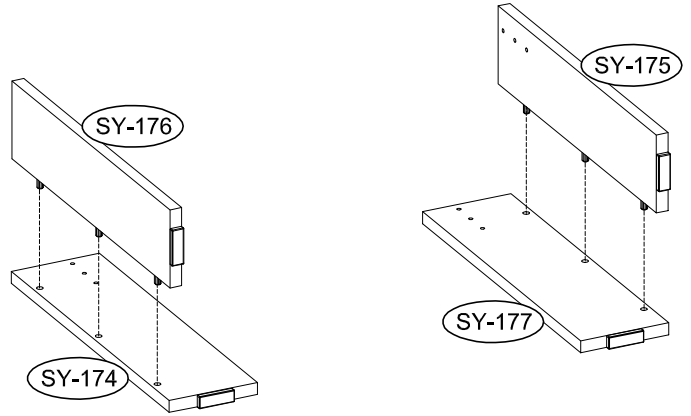
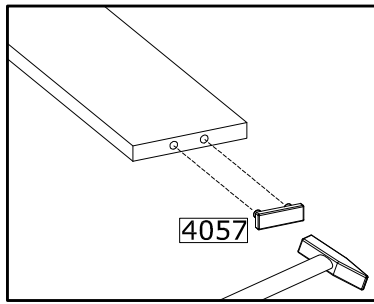
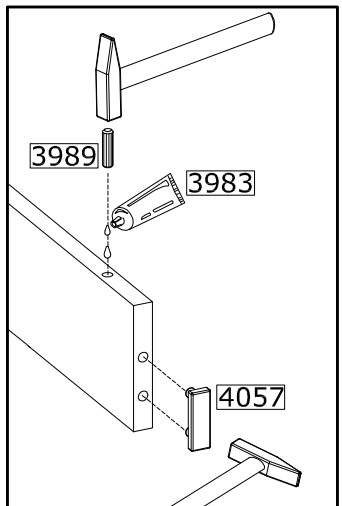
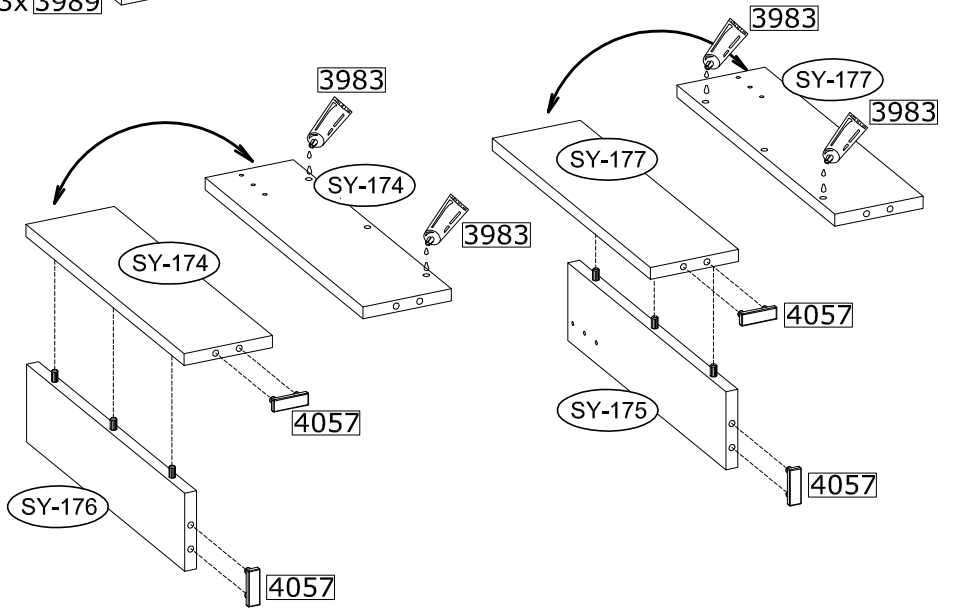
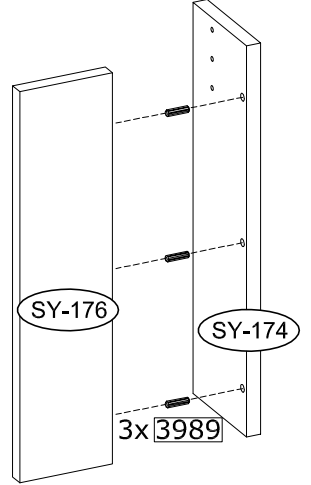
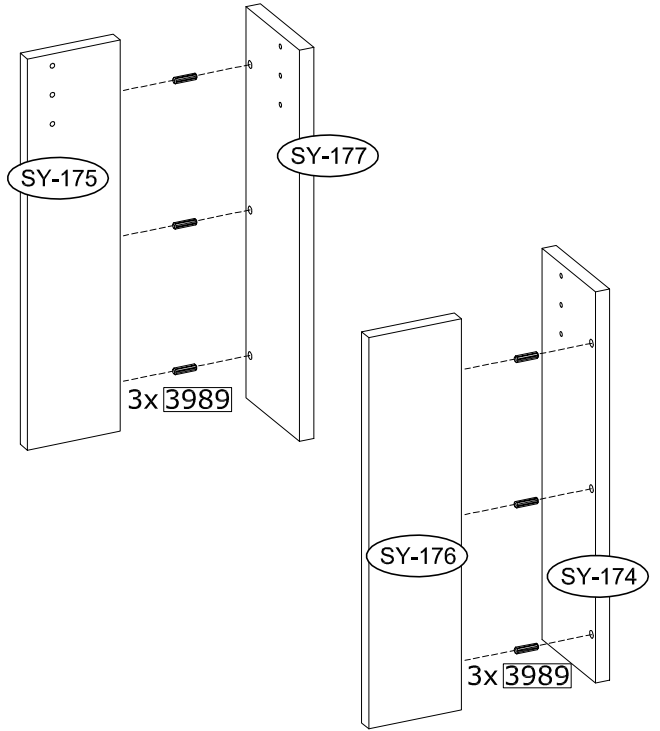
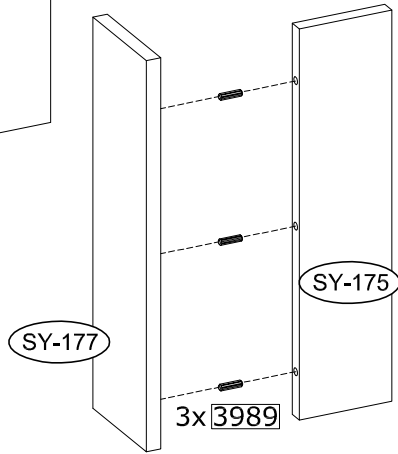
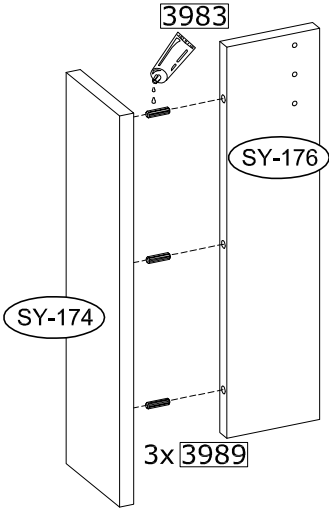




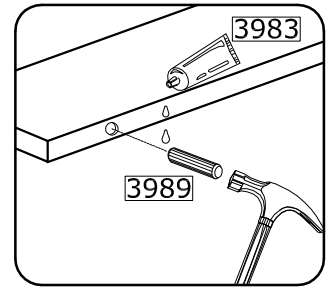
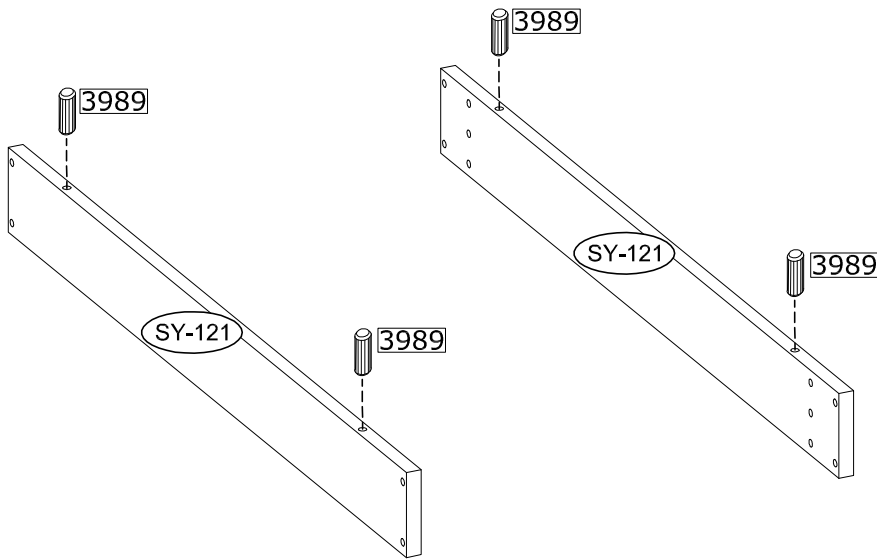
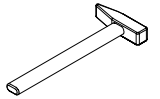
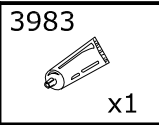
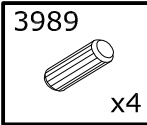
<p>3989</p> <p>Ø8x30mm x16</p>	<p>IN01617</p> <p>Ø6.3x26mm x24</p>	<p>4057</p> <p>x8</p>	<p>3981</p> <p>40x40x18 mm x8</p>
<p>3918</p> <p>Ø3,5x16mm x32</p>	<p>3983</p> <p>x3</p>	<p>3884</p> <p>x8</p>	<p>3984</p> <p>x1</p>

1

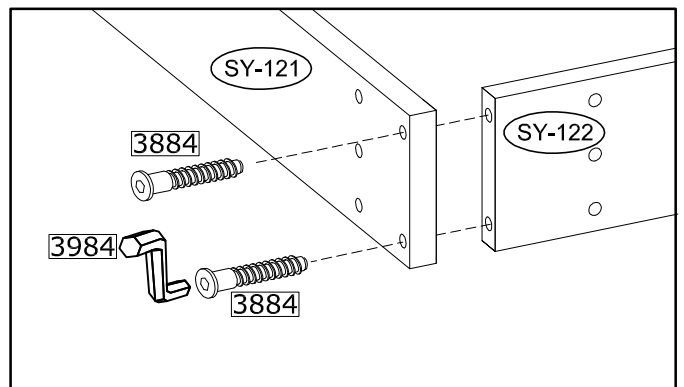
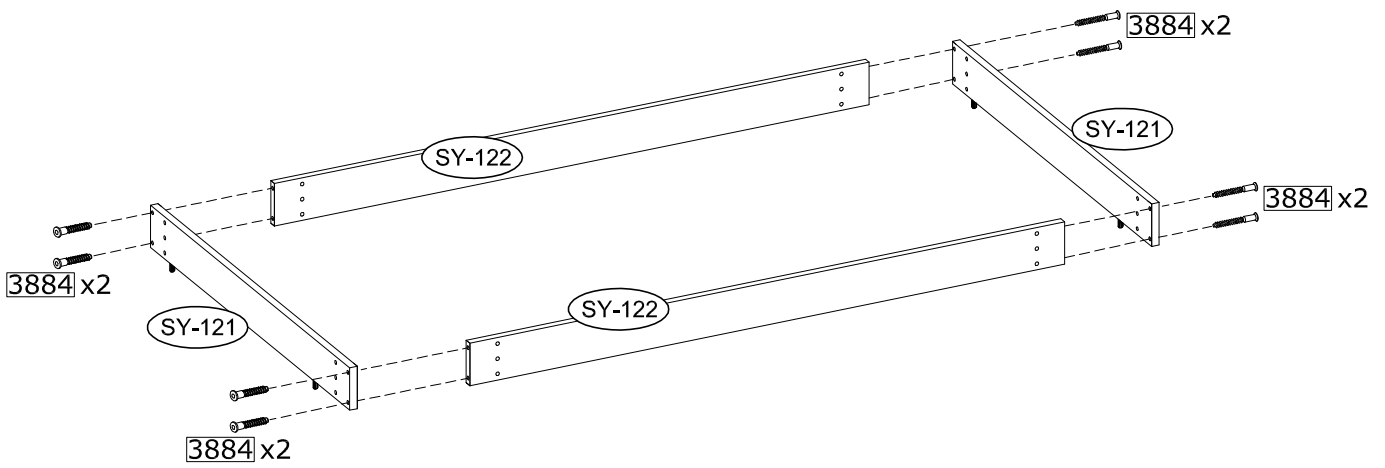
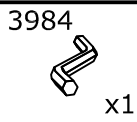
3989  x12	3983  x1	4057  x8		
---	--	--	--	--



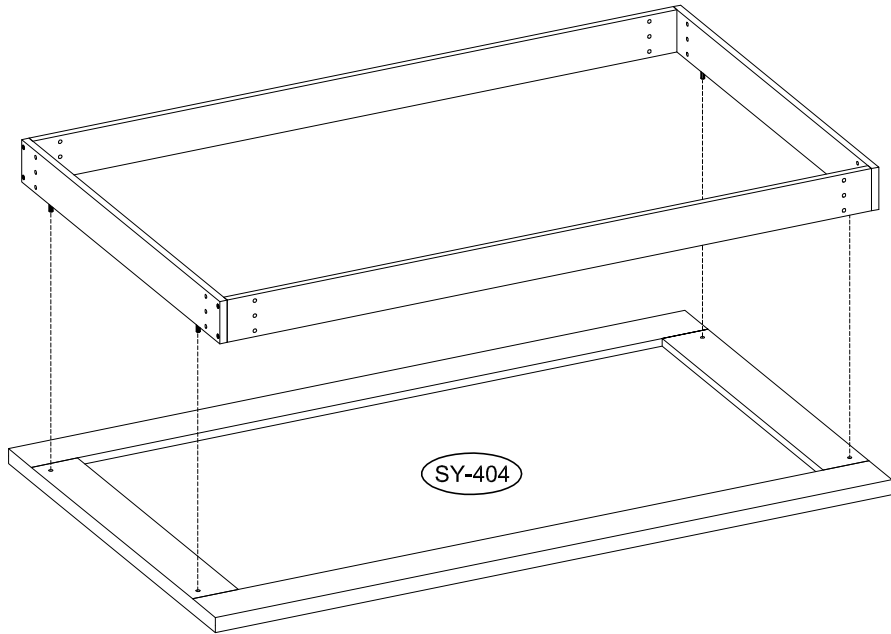
2



3

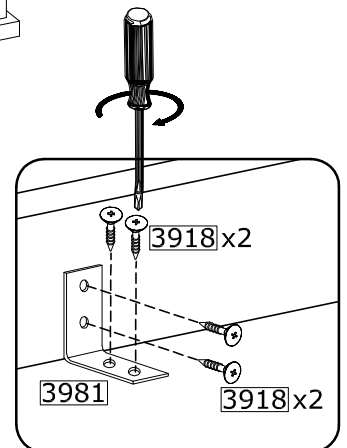
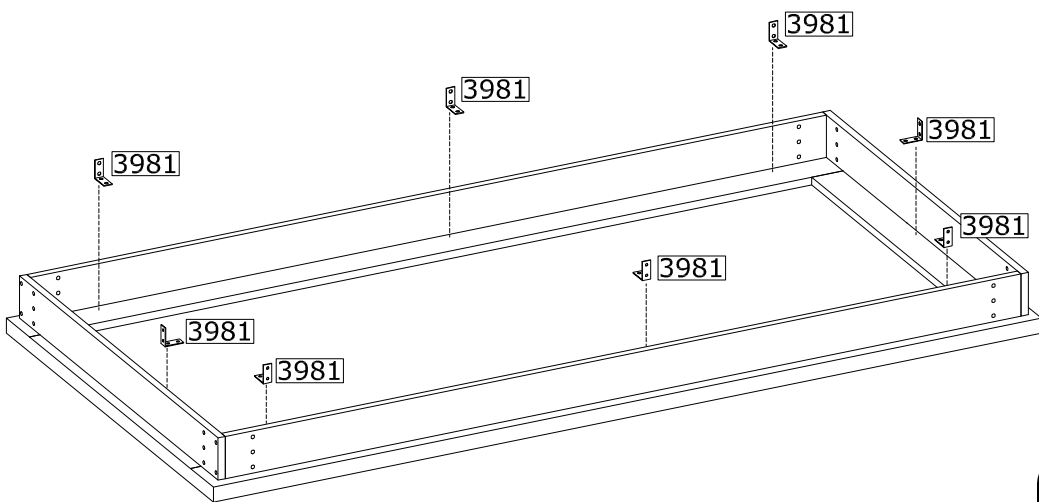


4



SY-404

5



6

IN01617



x24

