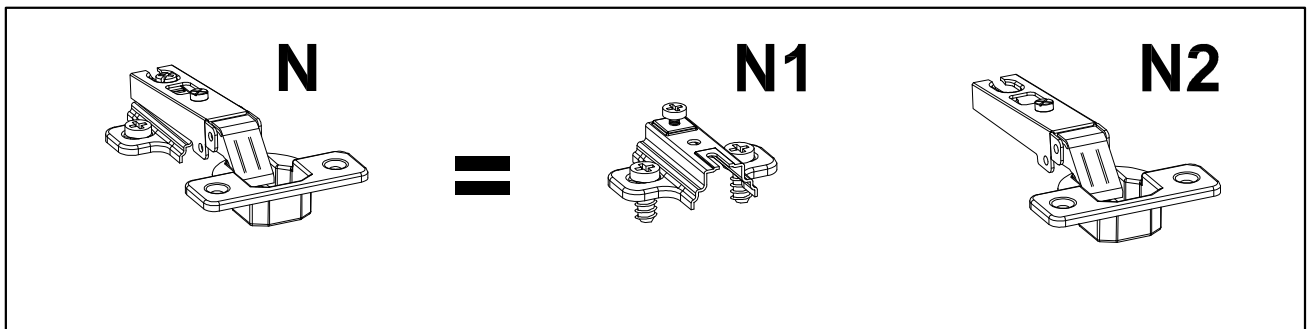
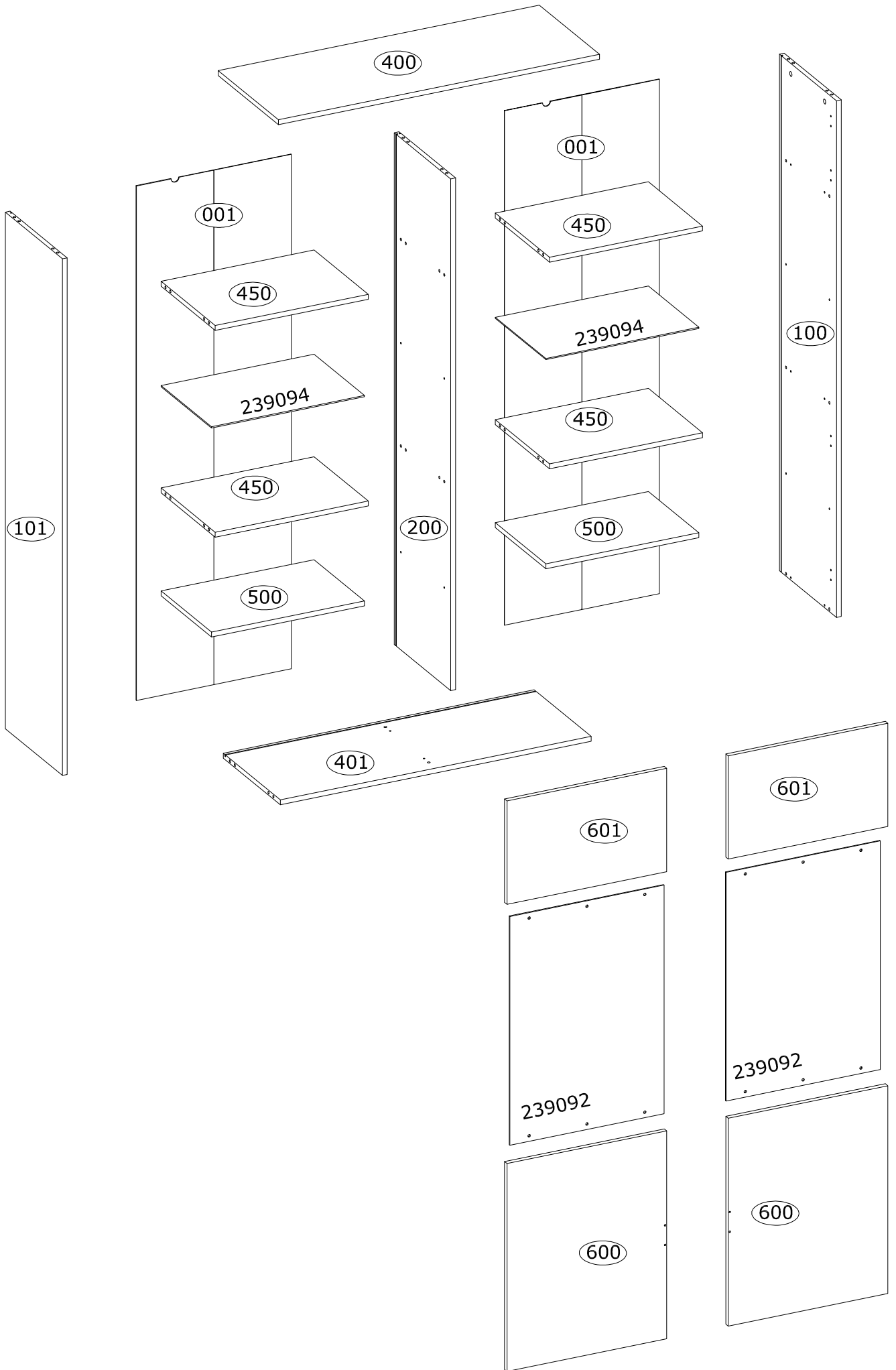


A Ø8x30 mm x20 3989	B Ø8x50 mm x4 3991	C Ø6,5x36,5 mm x20 4066	D Ø6,5x76 mm x4 4062	E Ø15x12 mm x28 3996
F Ø20 mm x22 136239	G 15x14x11 mm x20 4044	H Ø3,5x16 mm x40 3918	I Ø5x16 mm x16 4017	J Ø4 mm x12 IN00988
K Ø4,0x16 mm x12 3923	L 75x15x32 mm x2 71900	M Ø3,0x25 mm x16 3887	N Ø35 mm , KR0 x8 IN01640	O Ø20, H-180 x5 232943
P 96X48X20 mm x2 236246 236248				

P 96X48X20 mm x2 UMOOG64 236246	P 96X48X20 mm x2 UMOUBL64 236248
---	--

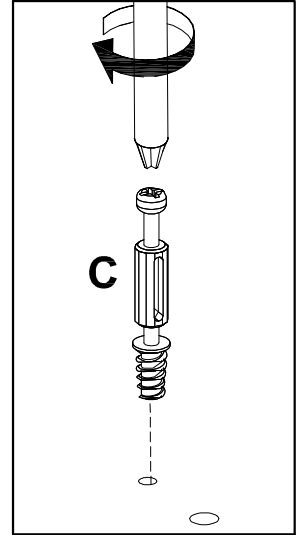
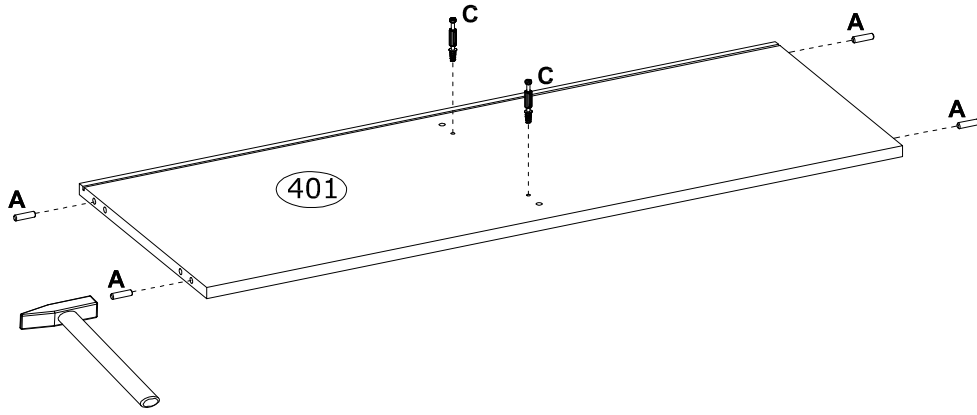


0
10
20
30
40
50
60
70
80
90
100
110
120
130
140
150
160
170
180
190
200



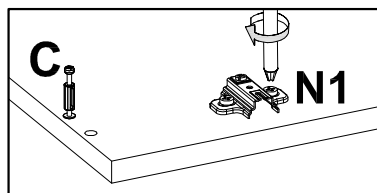
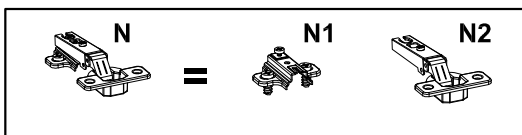
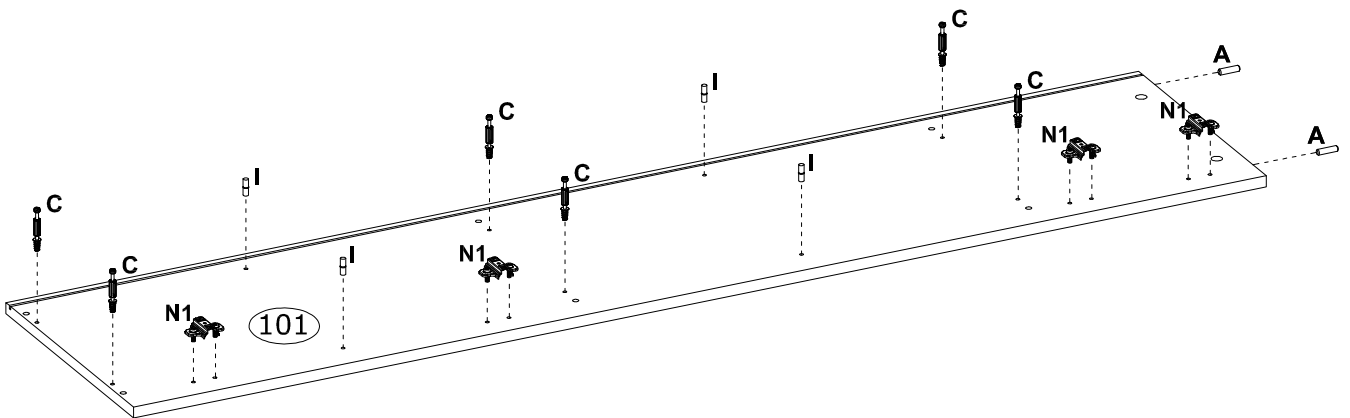
1

A	Ø8x30 mm	C	Ø6,5x36,5 mm	
	x4 3989		x2 4066	



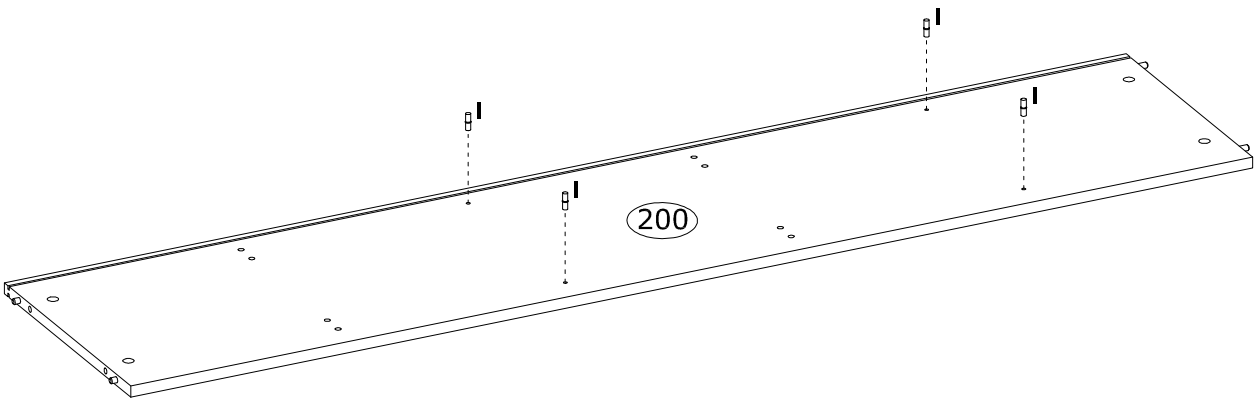
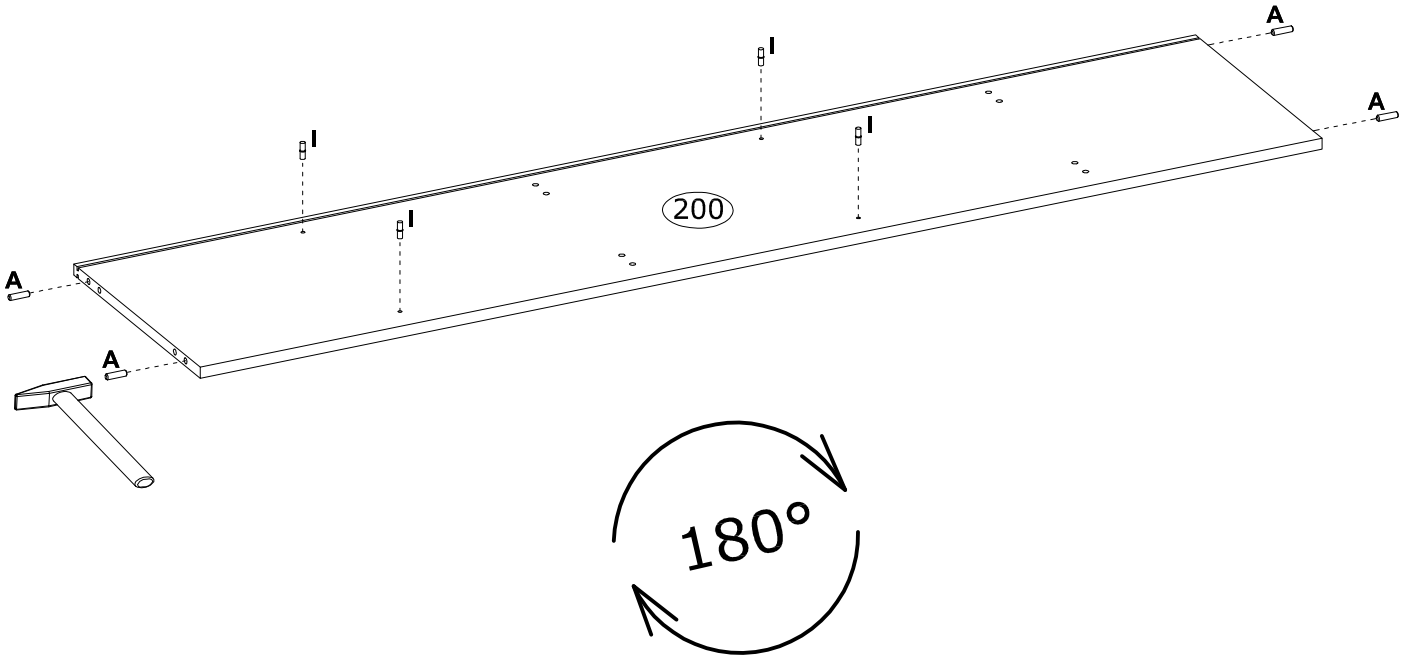
2

A	Ø8x30 mm	C	Ø6,5x36,5 mm	I	Ø5x16 mm	N1	Ø35 mm , KR0	
	x2 3989		x6 4066		x4 4017		x4 IN01640	

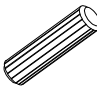

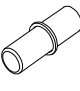
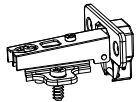
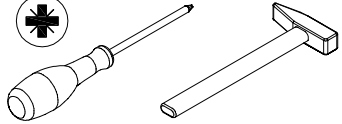
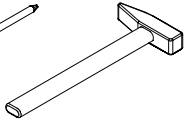


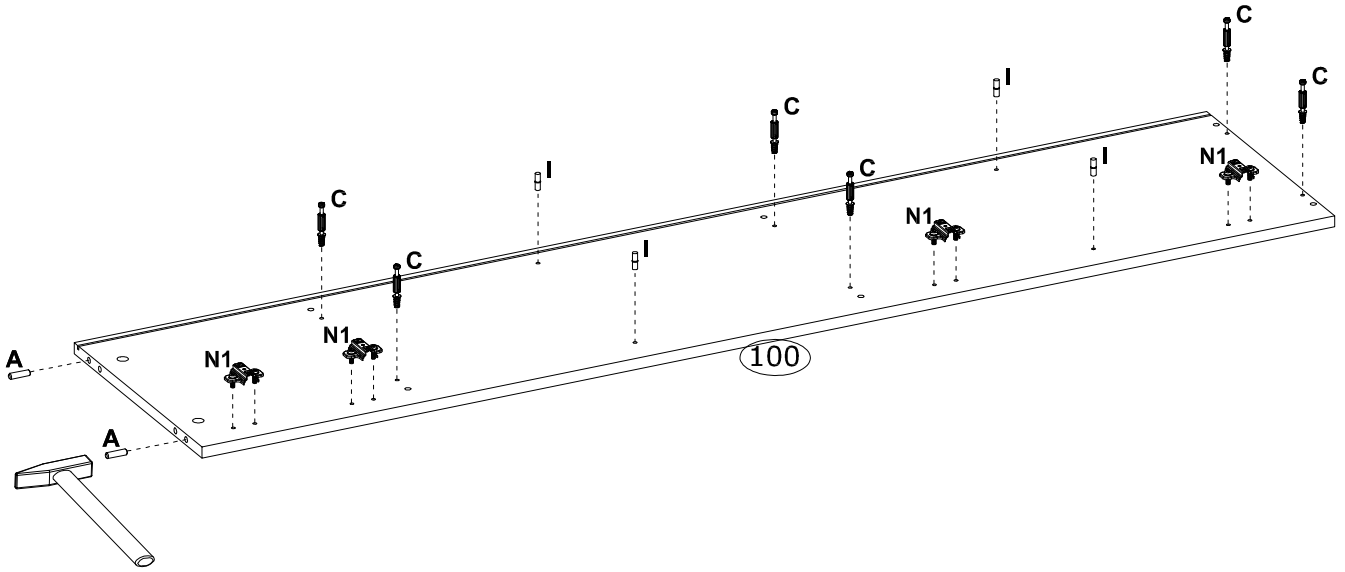
3

<p>A</p> <p>Ø8x30 mm</p>  <p>x4 3989</p>	<p>Ø5x16 mm</p>  <p>x4 4017</p>	
--	--	--

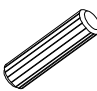
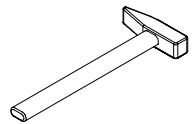


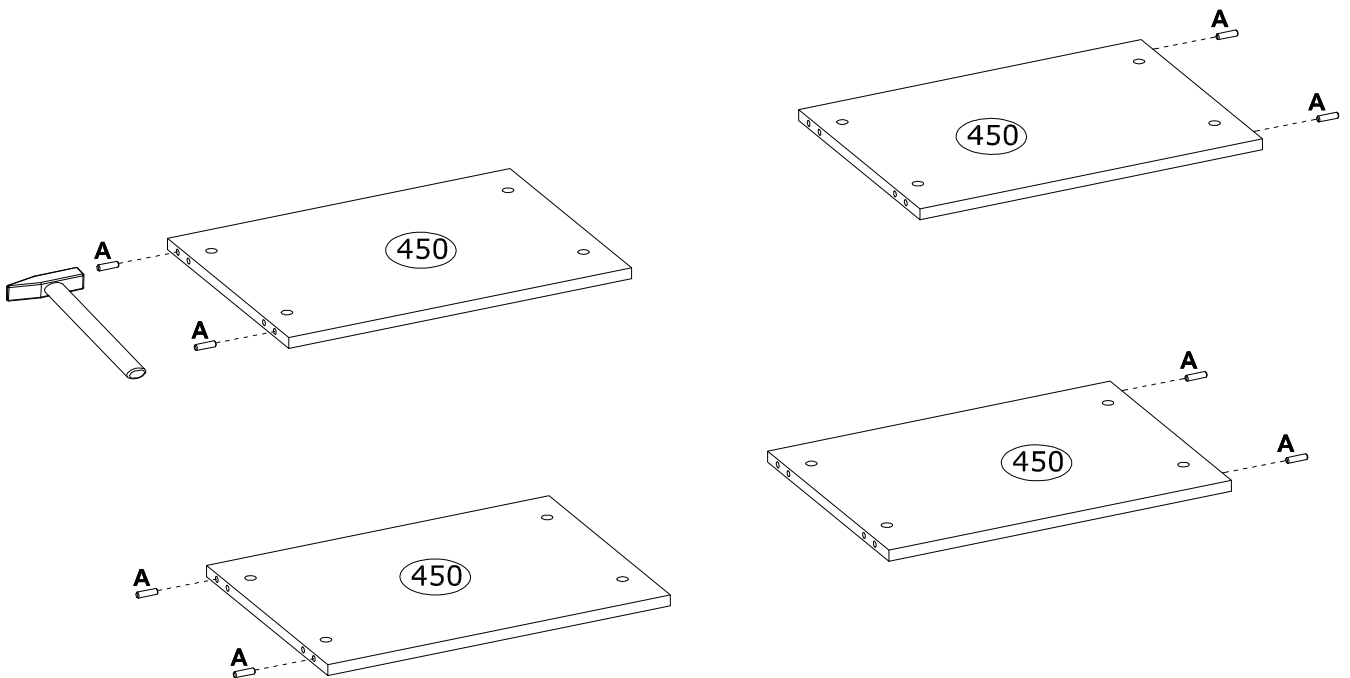
4

A Ø8x30 mm  x2 3989	C Ø6,5x36,5 mm  x6 4066	I Ø5x16 mm  x4 4017	N Ø35 mm, KR0  x4 IN01640	 
---	---	---	---	--

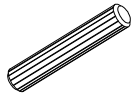
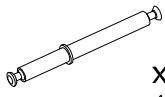
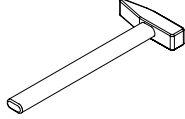


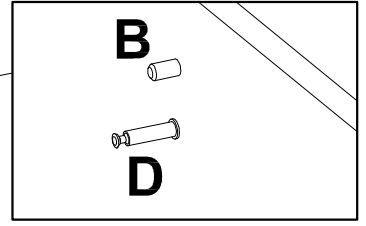
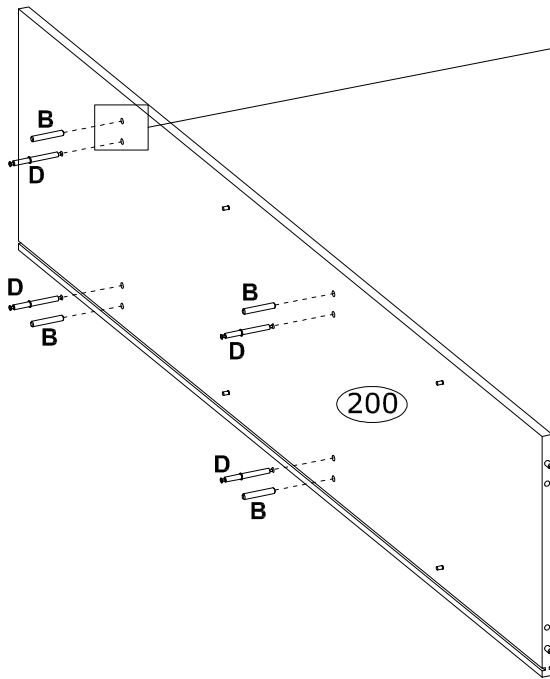
5

A Ø8x30 mm  x8 3989	
---	---



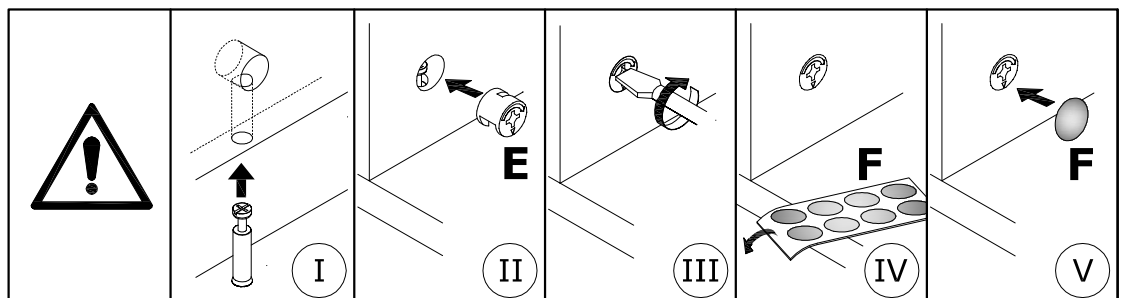
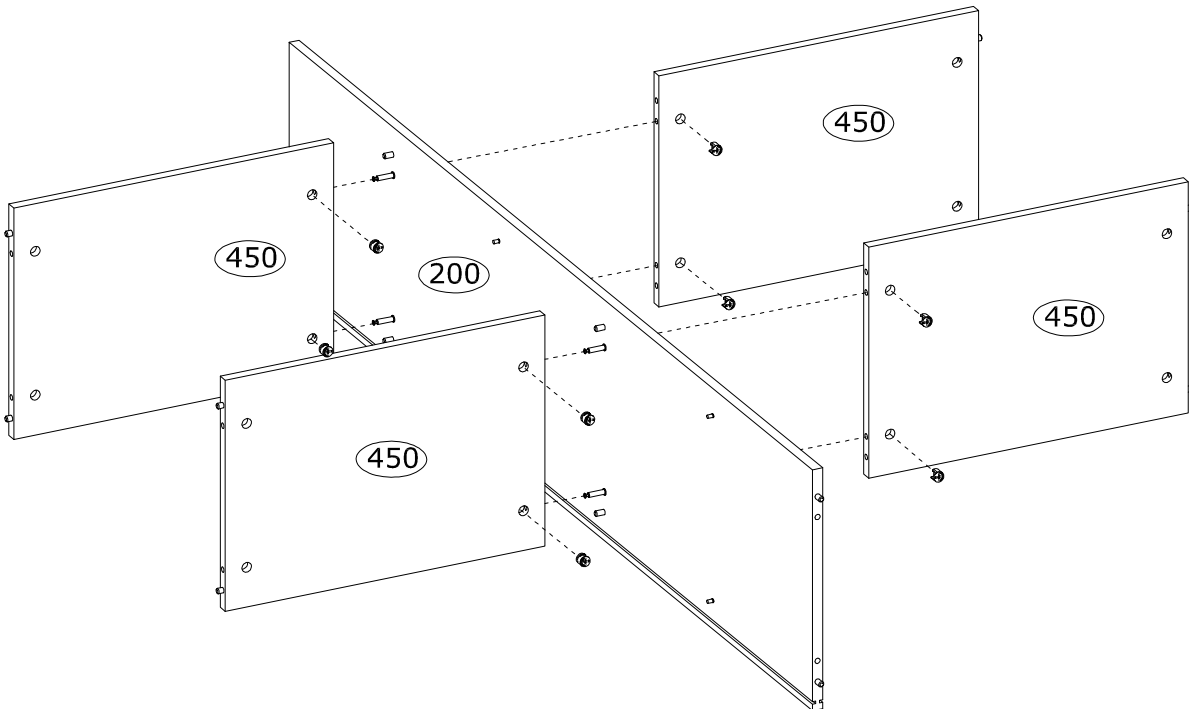
4

B Ø8x50 mm  x4 3991	D Ø6,5x76 mm  x4 4062	
--	--	--



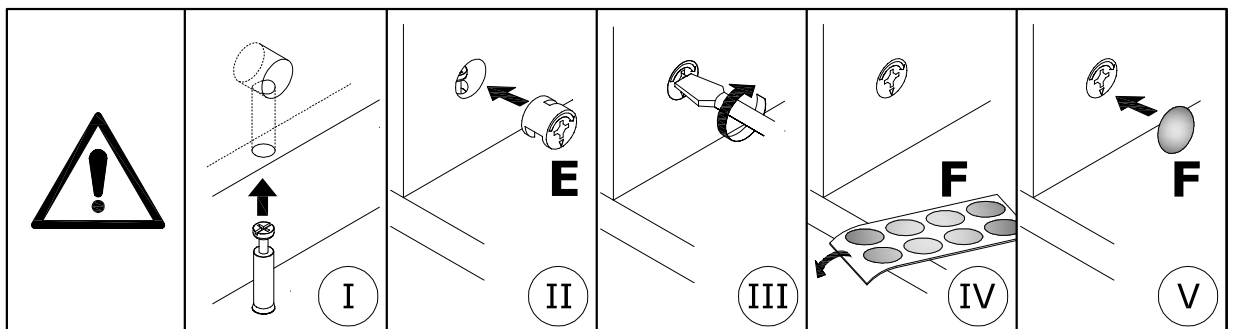
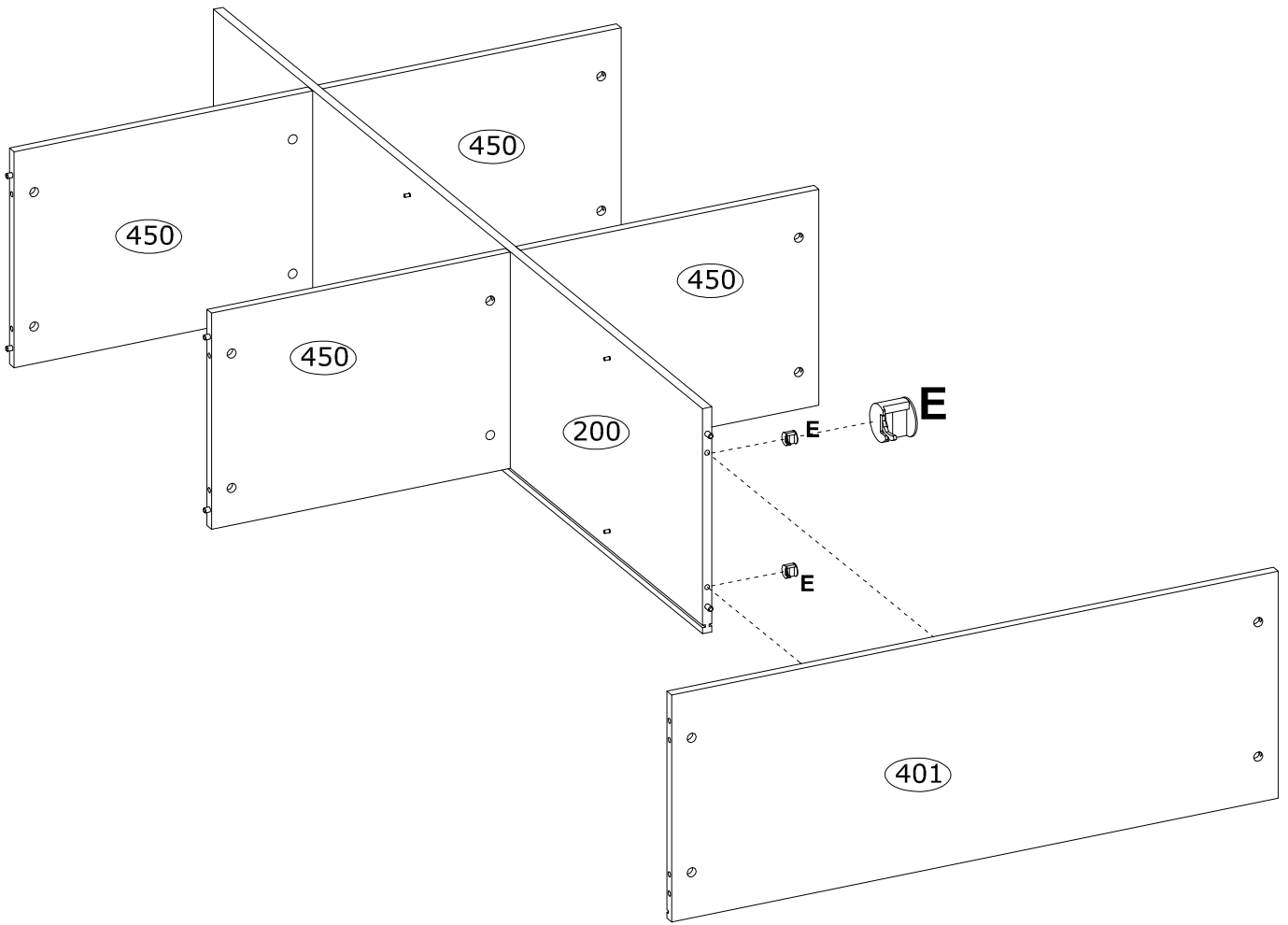
5

E Ø15x12 mm  x8 3996	F Ø20 mm  x8 136239	
--	---	--



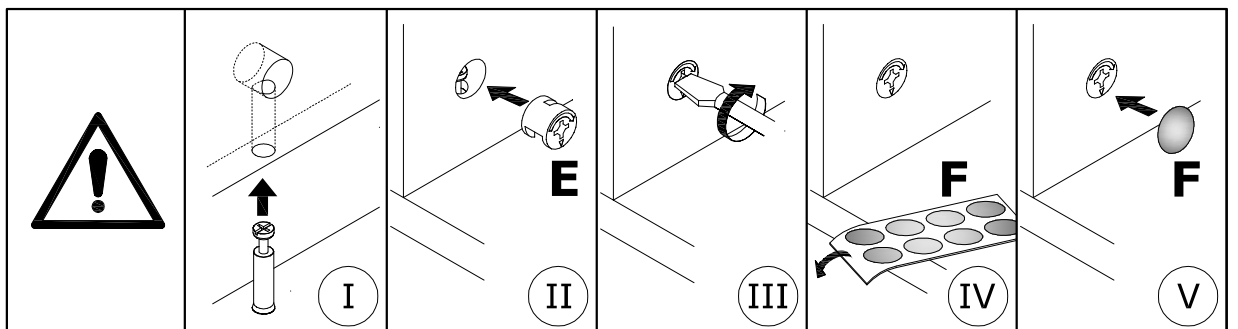
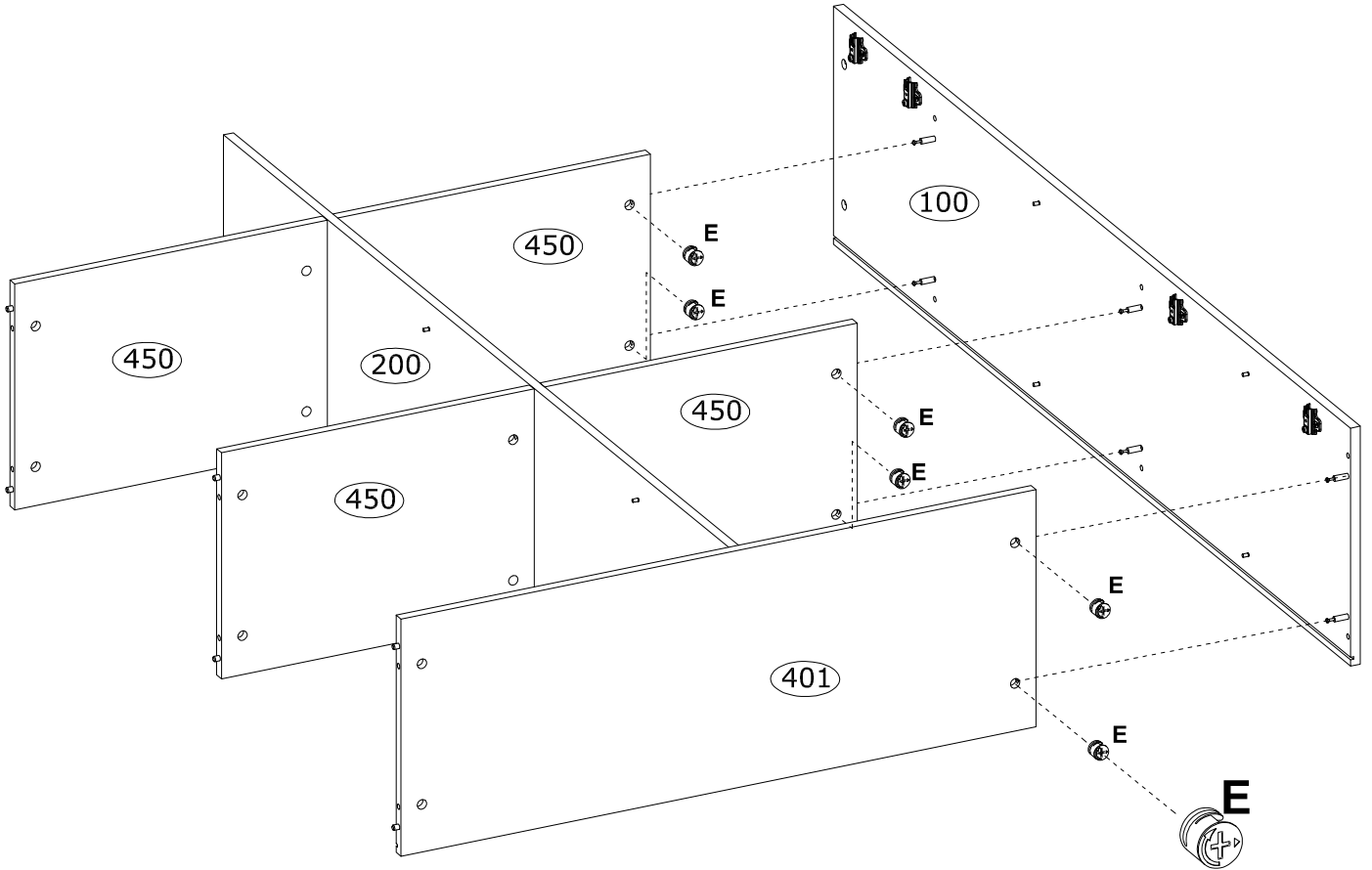
6

E Ø15x12 mm  x2 3996	F Ø20 mm  x2 136239	
--	---	--


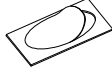
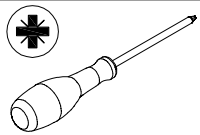


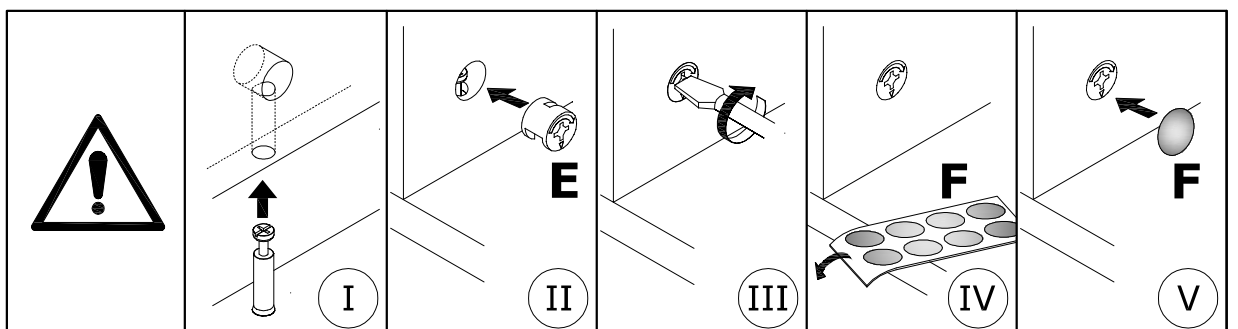
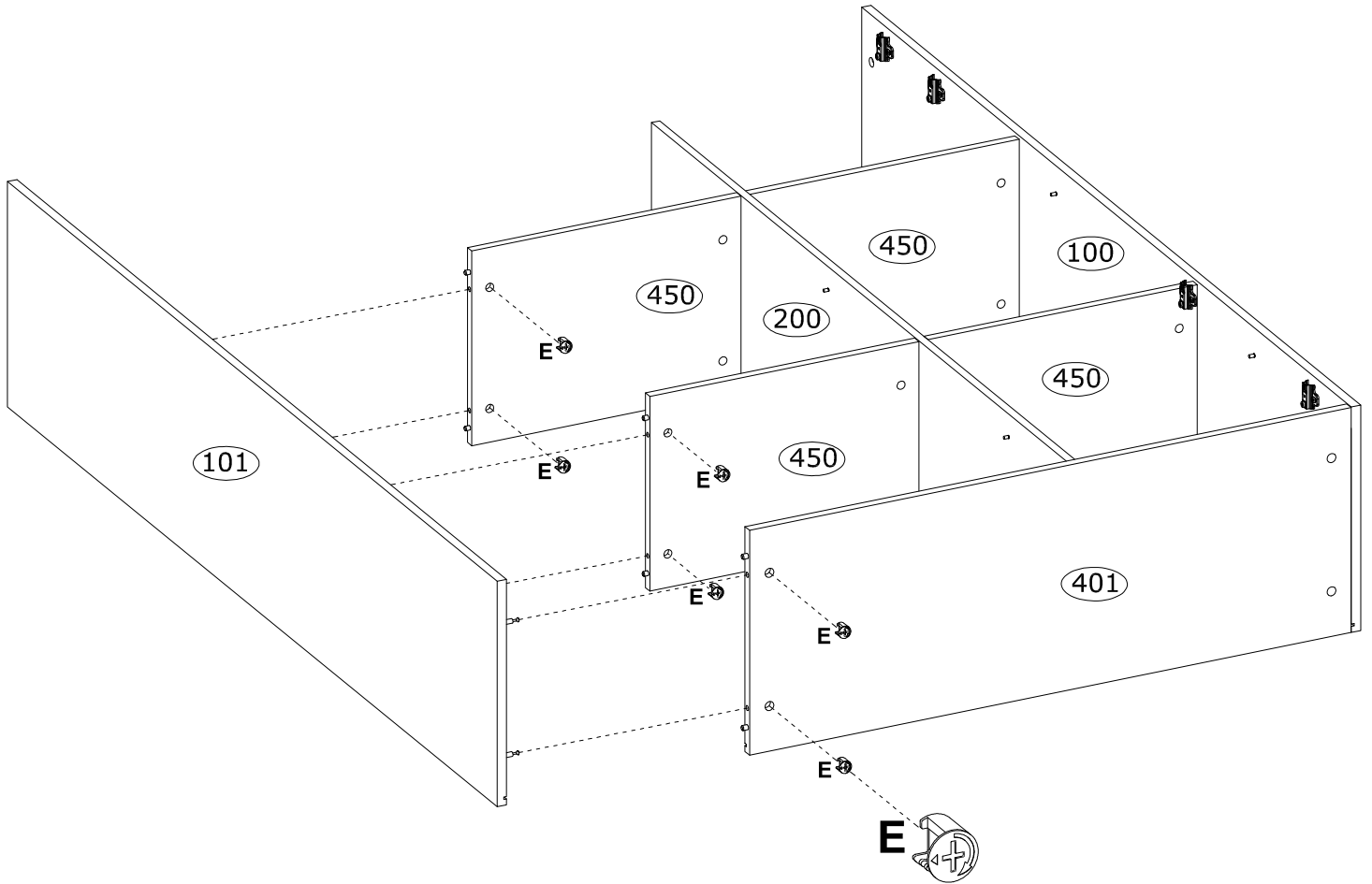
7

E Ø15x12 mm  x6 3996	F Ø20 mm  x6 136239	
--	---	--





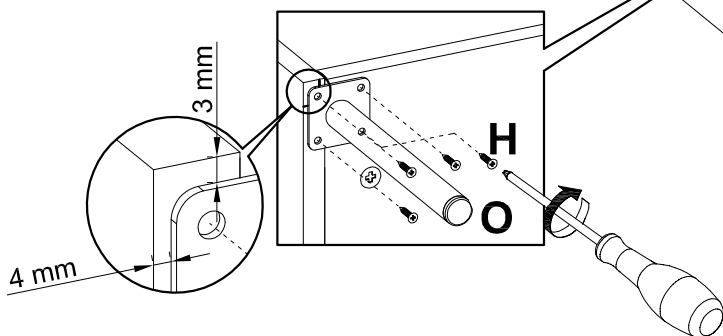
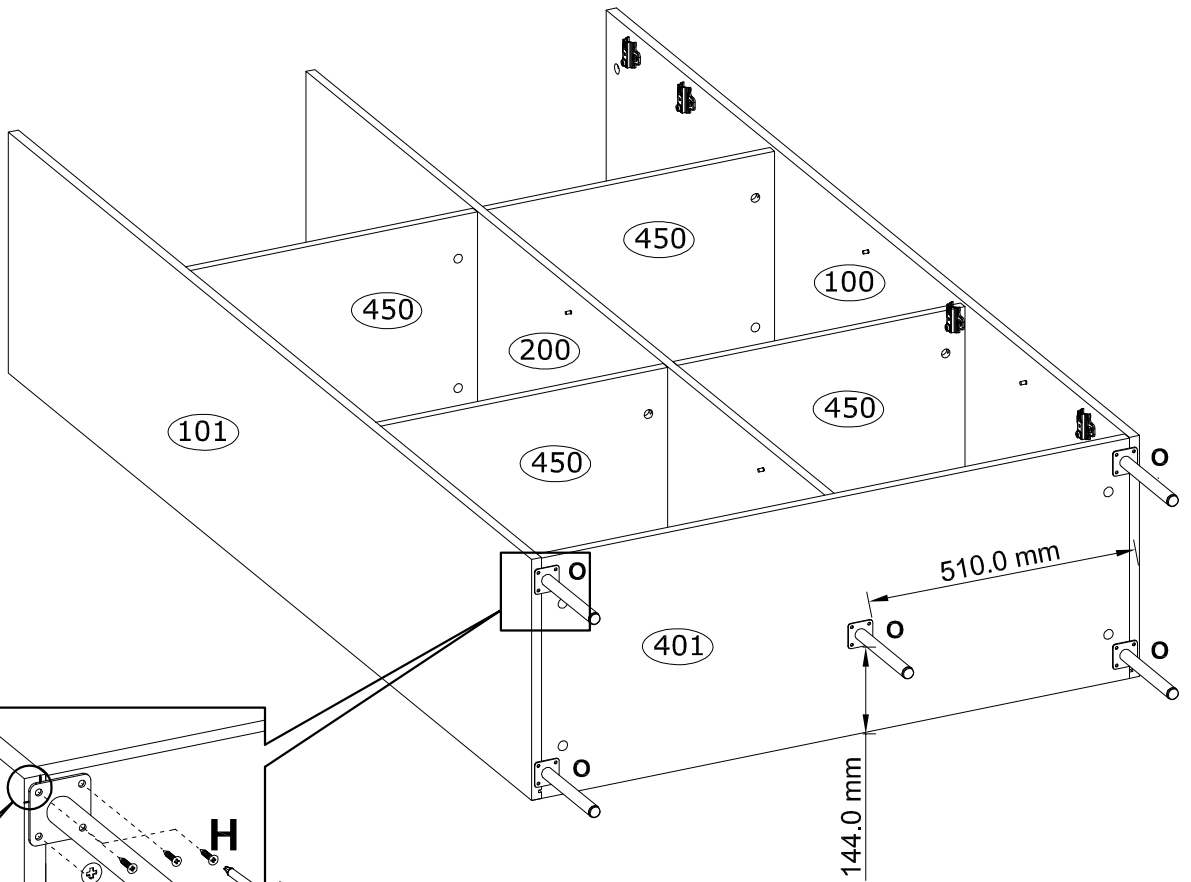
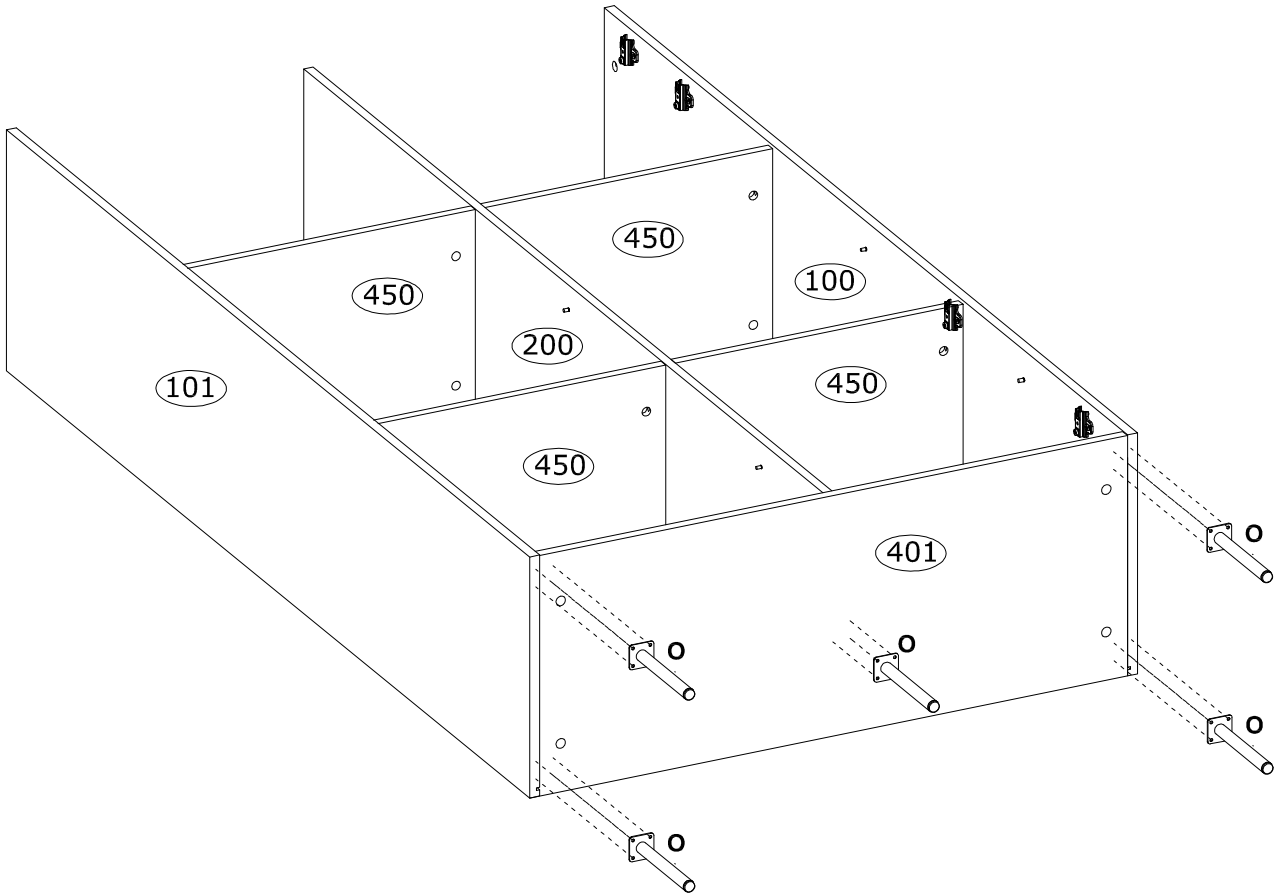
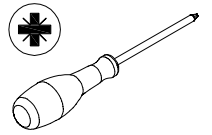
8

E Ø15x12 mm  x6 3996	F Ø20 mm  x6 136239	
--	---	--

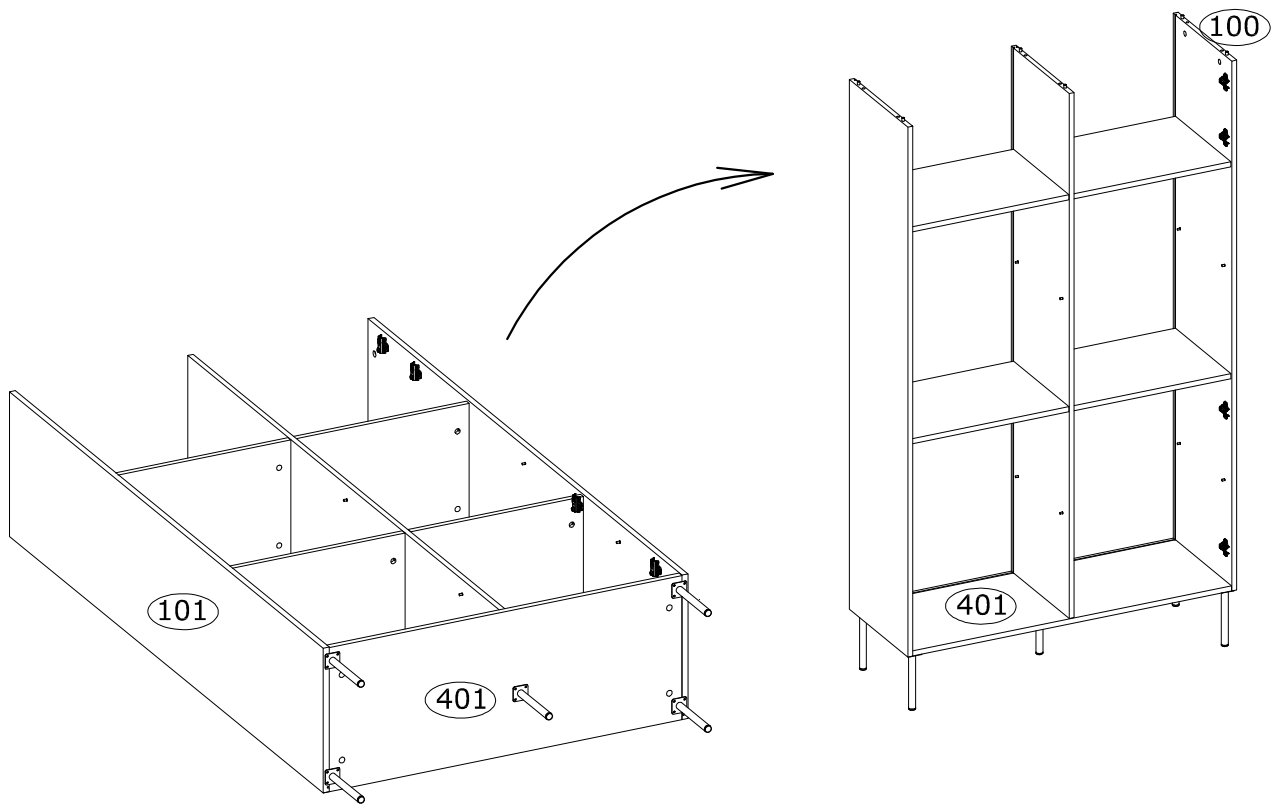


9

 Ø20, H-180	 Ø3,5x16 mm
x5 232943	x20 3918

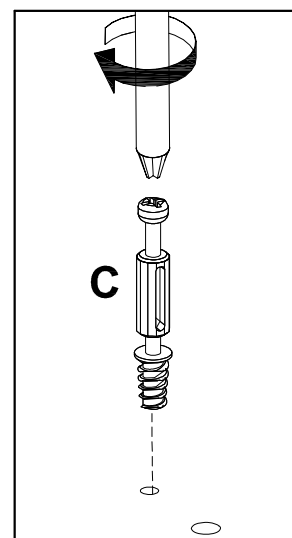
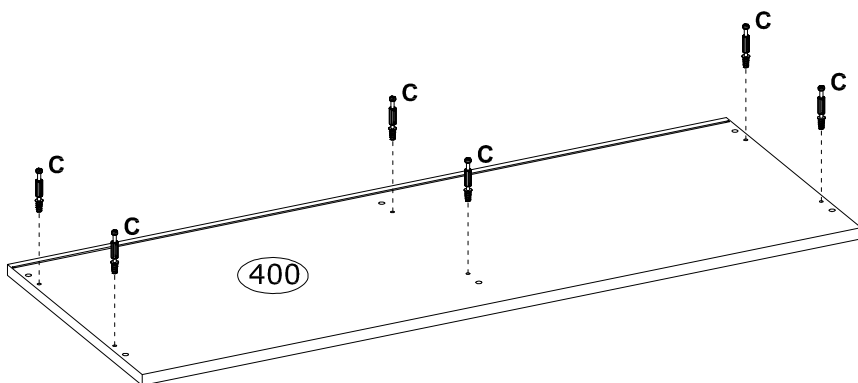
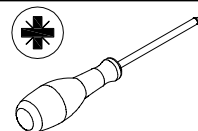


10

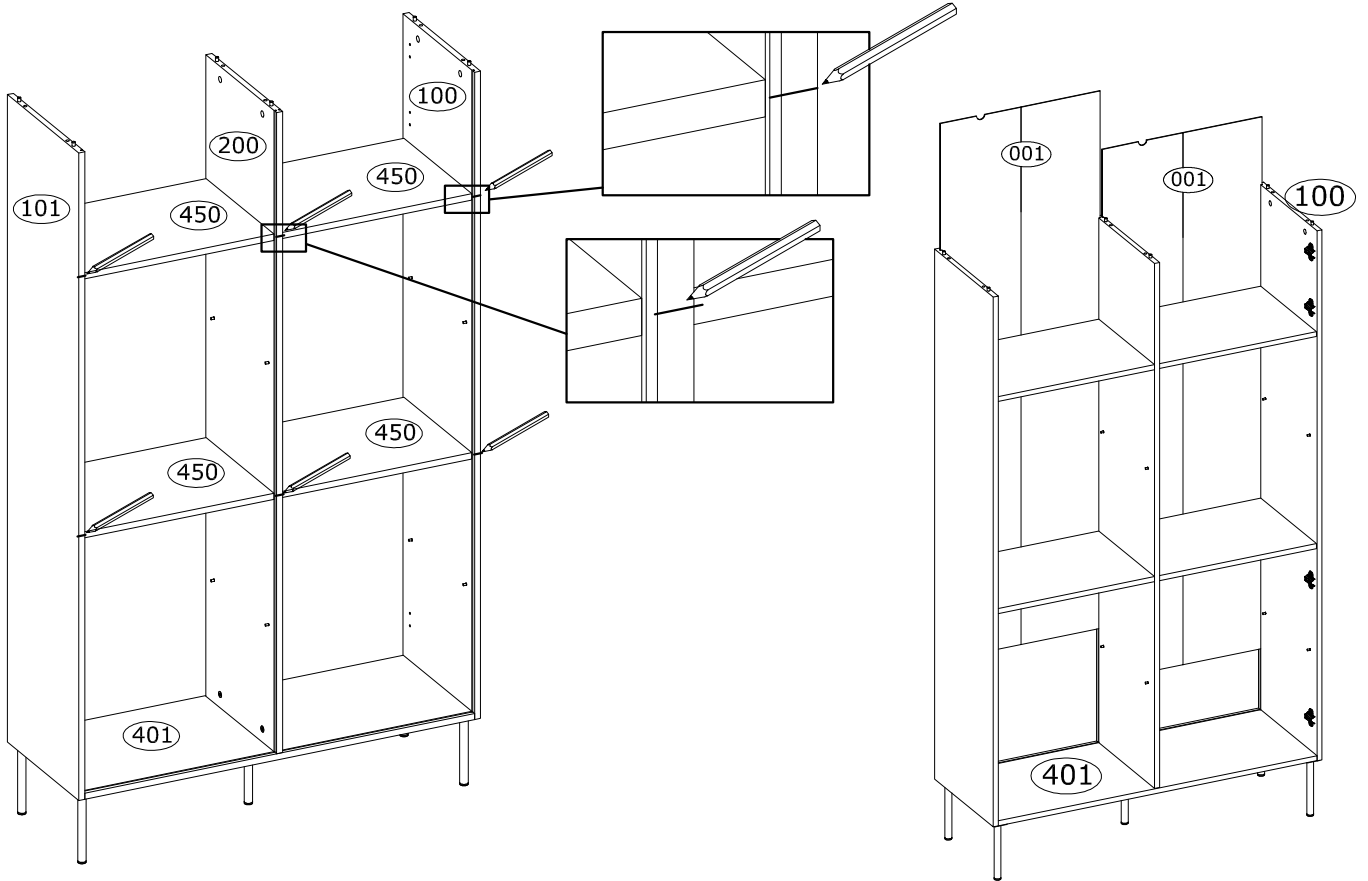
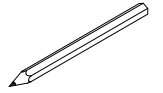


11


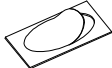
C
Ø6,5x36,5 mm
x6
4066

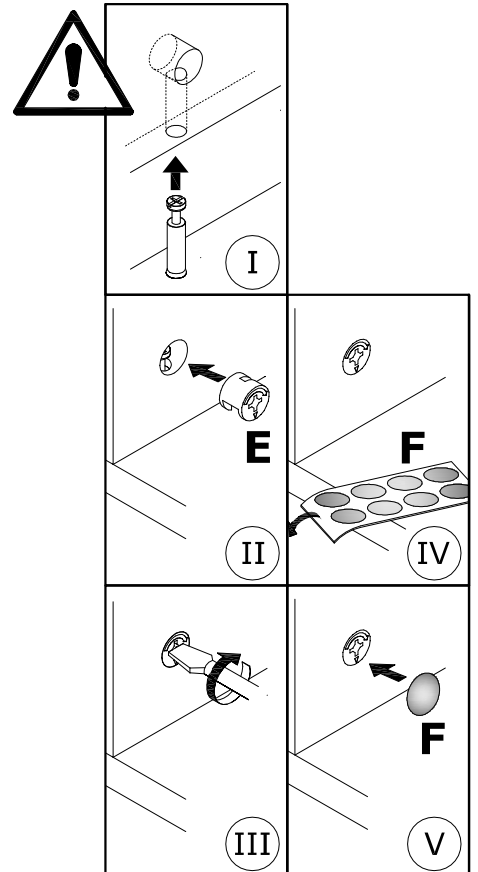
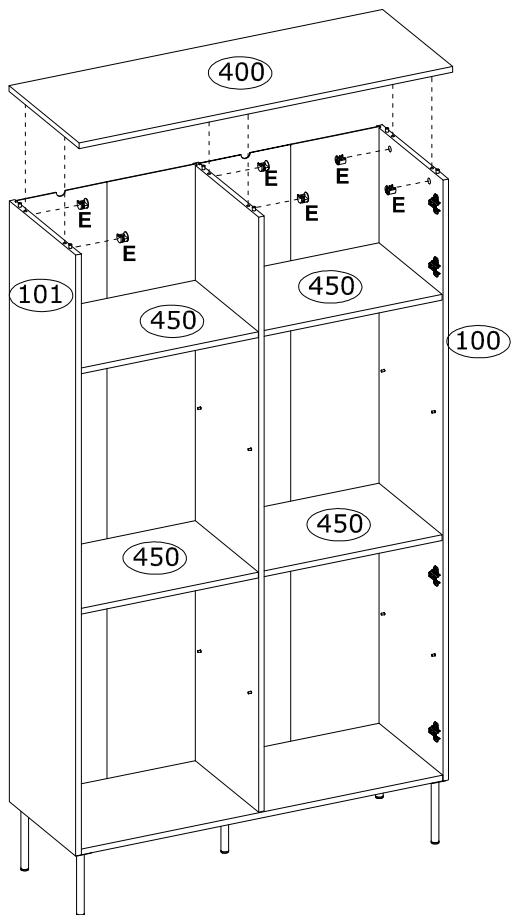
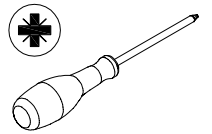


12


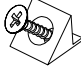


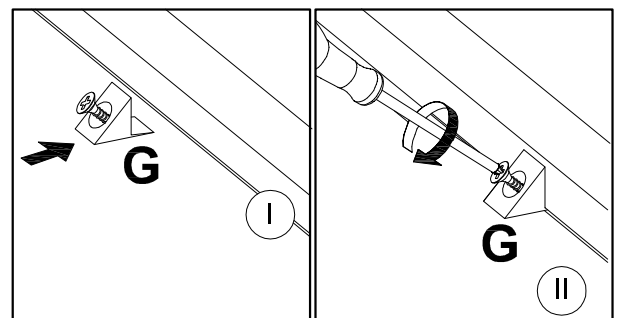
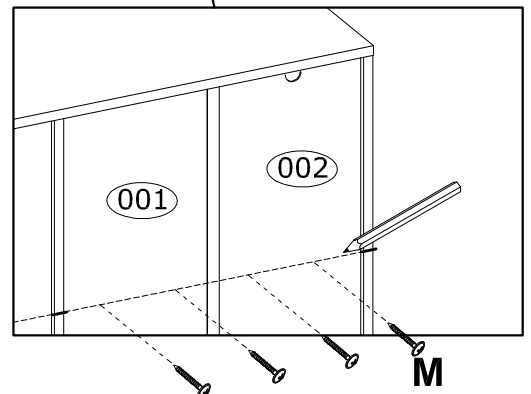
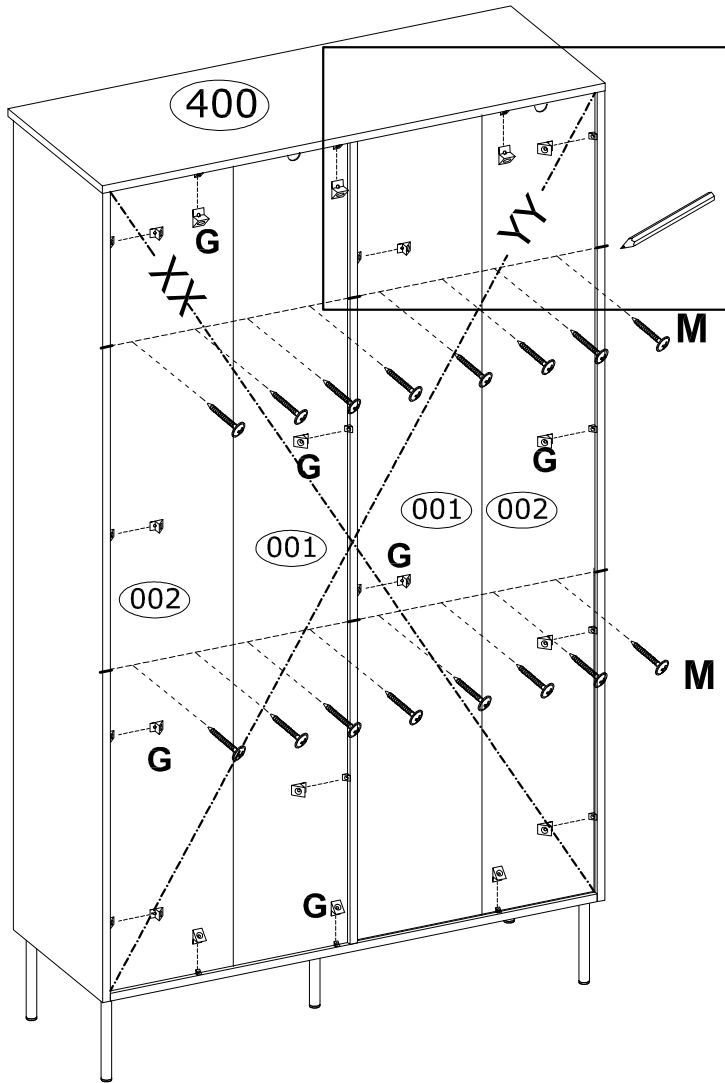
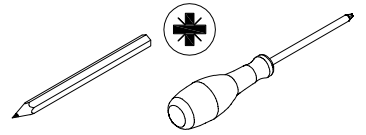
13

<p>E Ø15x12 mm</p>  <p>x6 3996</p>	<p>F Ø20 mm</p>  <p>x6 136239</p>
--	---





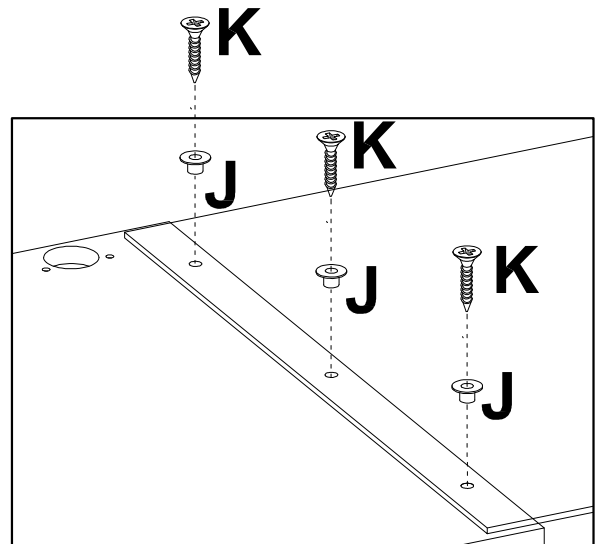
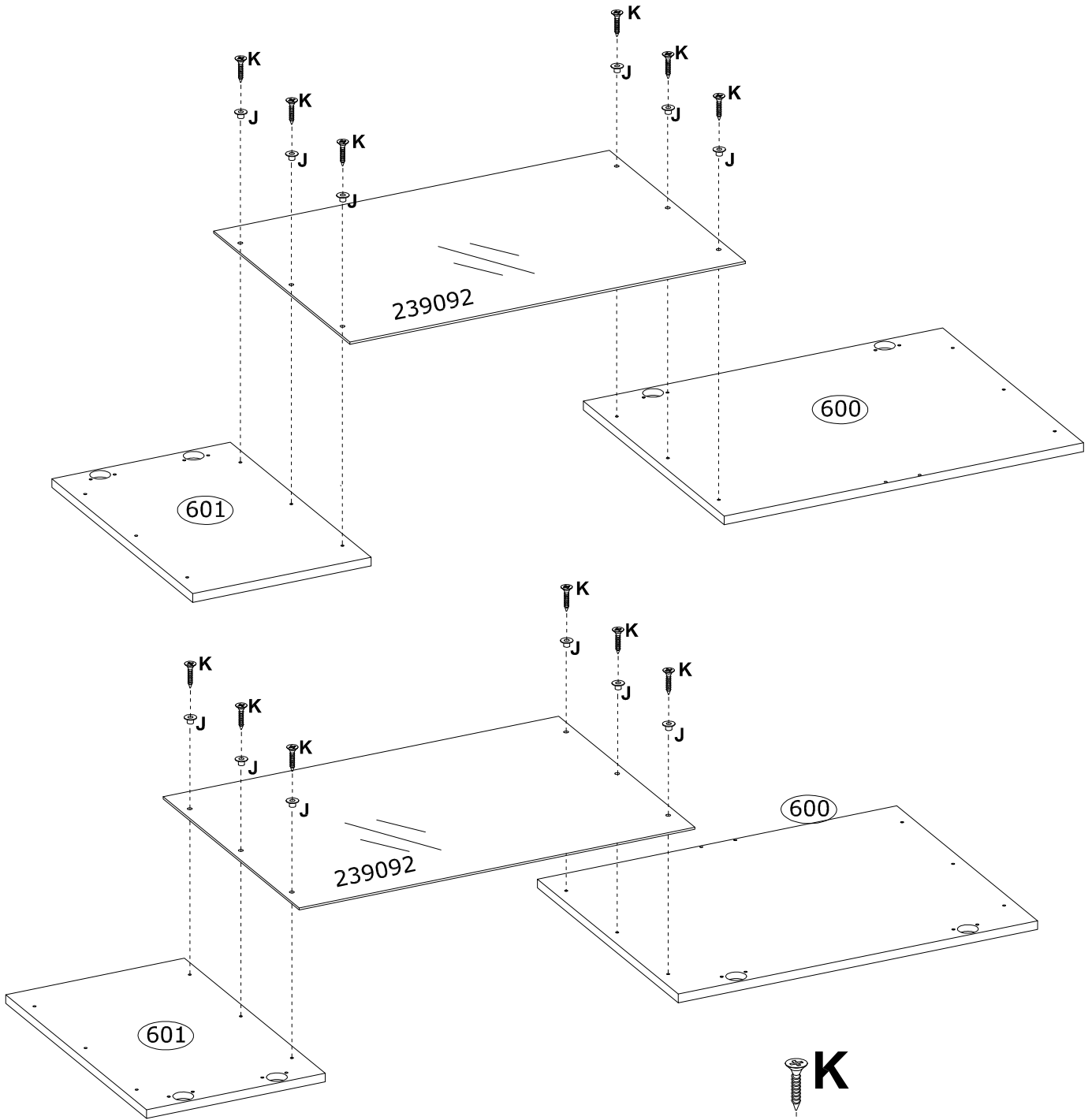
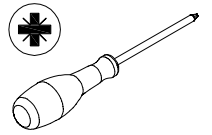
14




M	Ø3,0x25 mm	G	15x14x11 mm
	x16 3887		x20 4044




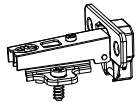

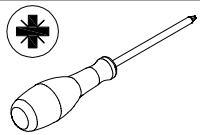
15

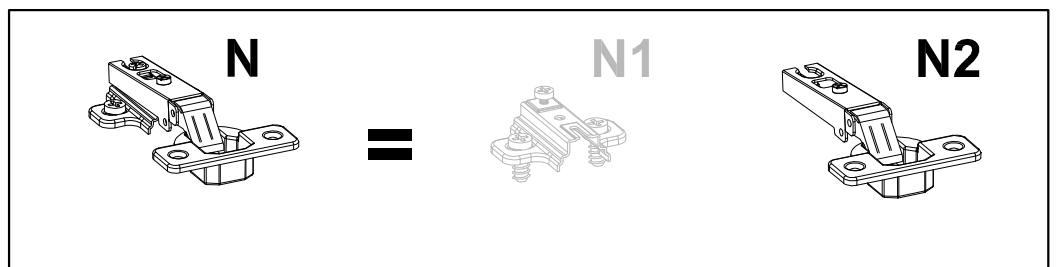
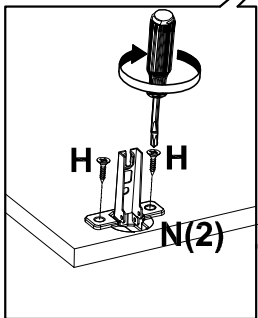
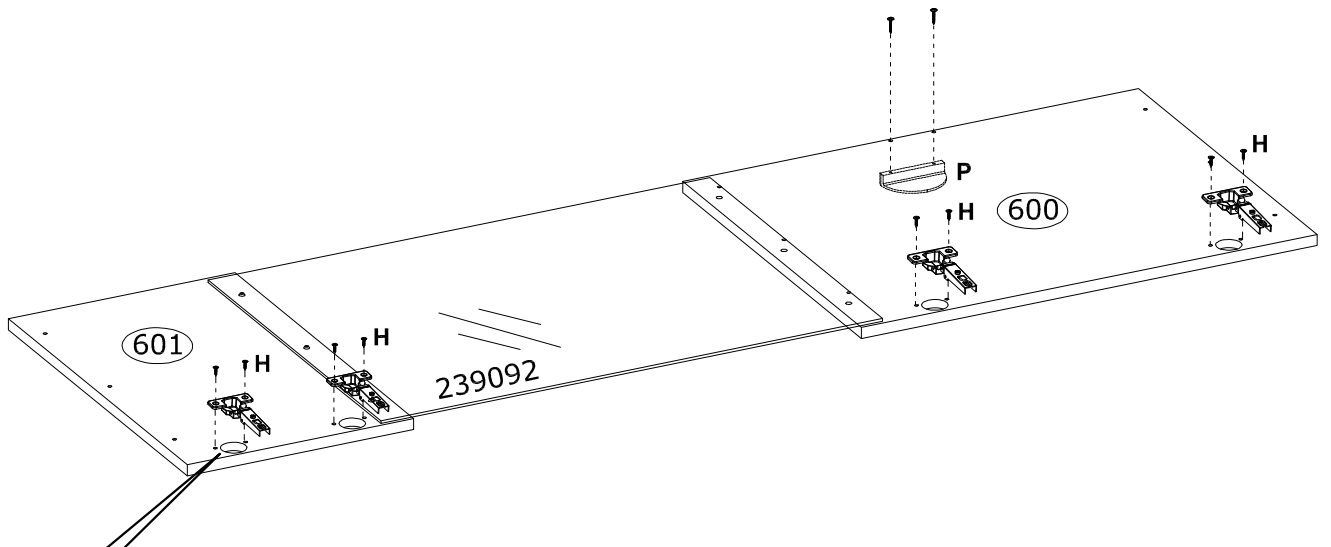
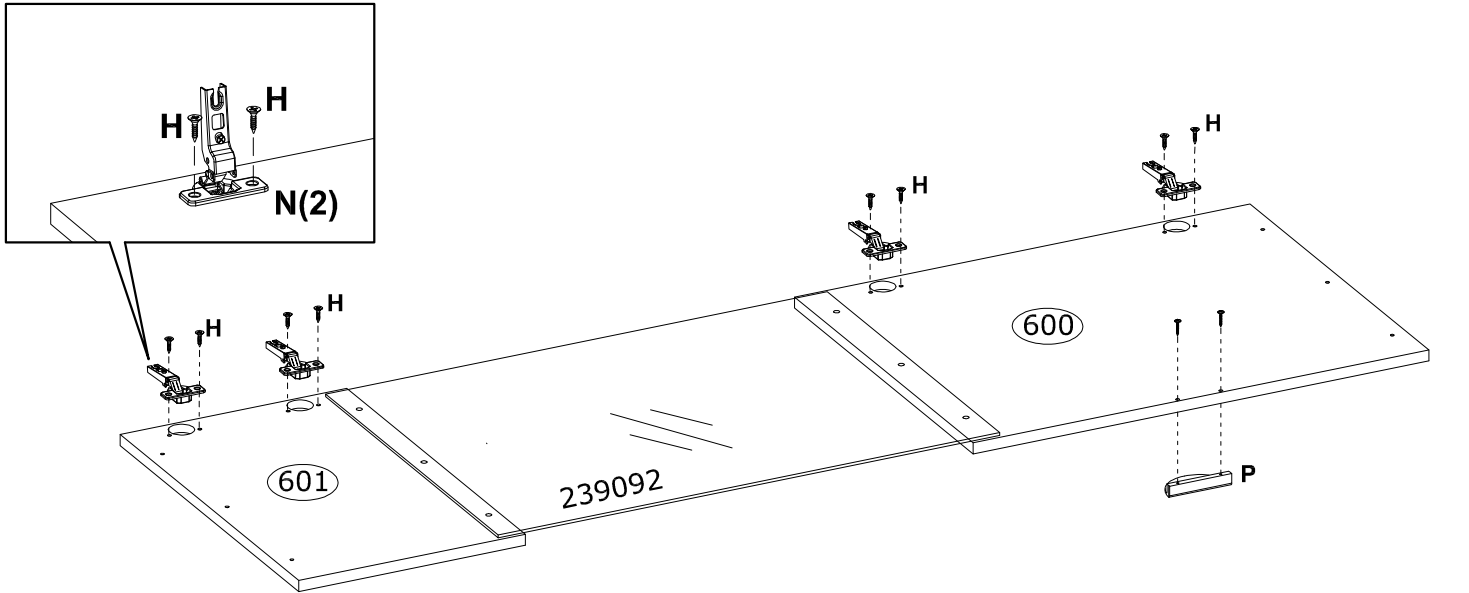
J Ø4 mm  x12 IN00988	K Ø4,0x16 mm  x12 3923
---	---



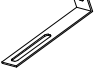

	H  Ø3,5x16mm	K  Ø4x16mm
---	--	--

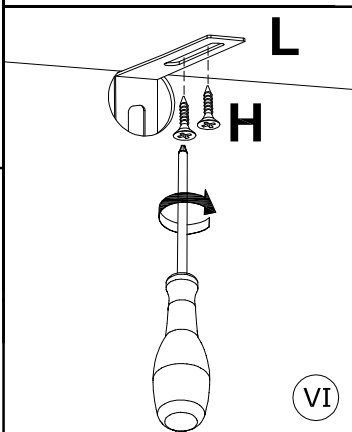
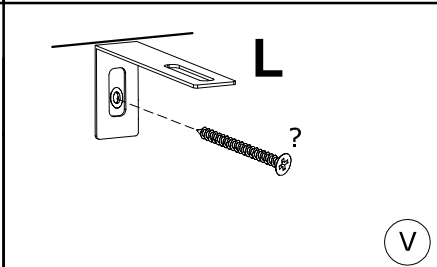
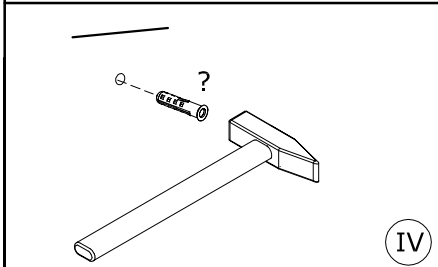
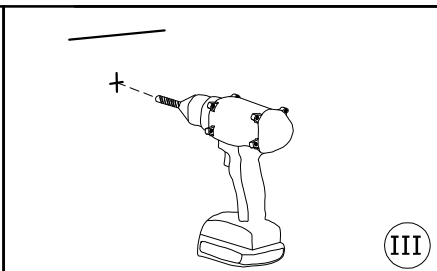
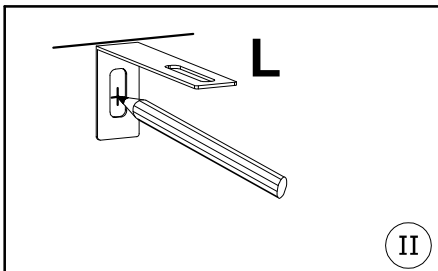
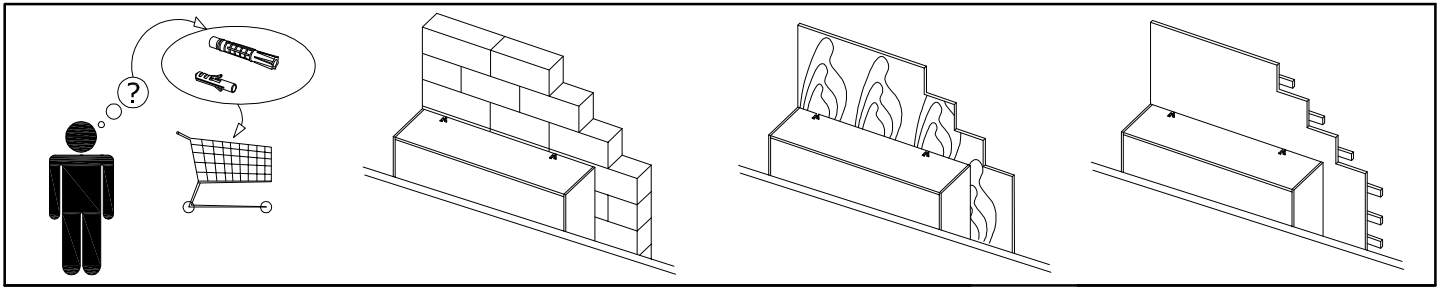
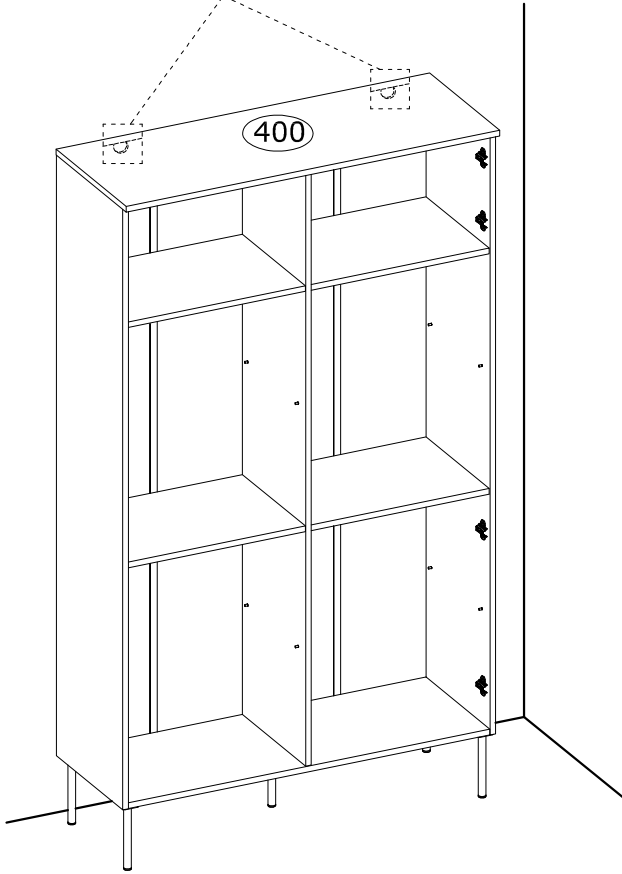
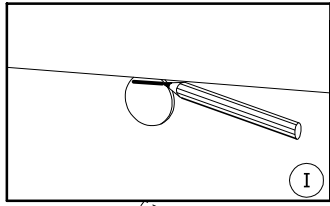
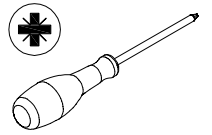
16

P 96X48X20 mm  x2 236246 236248	N Ø35 mm , KR0  x8 IN01640	H Ø3,5x16 mm  x20 3918	
---	---	--	--

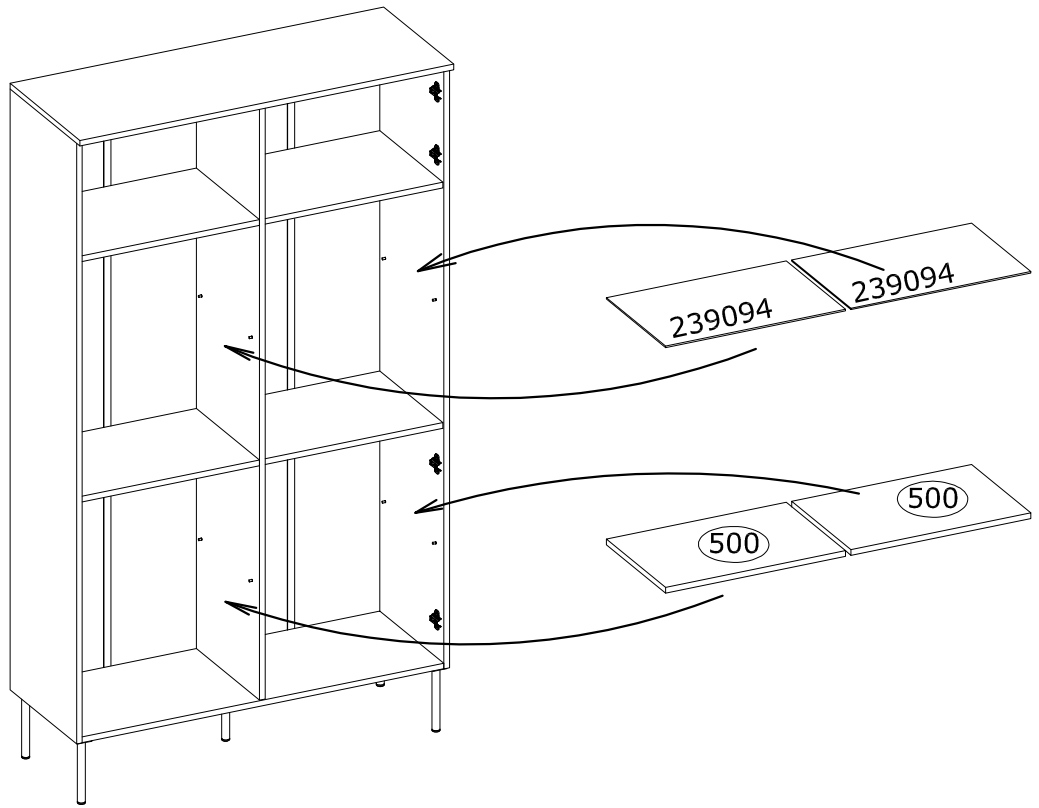


17

L 75x15x32 mm  x2 71900	H Ø3,5x16 mm  x4 3918
---	---



18



19

