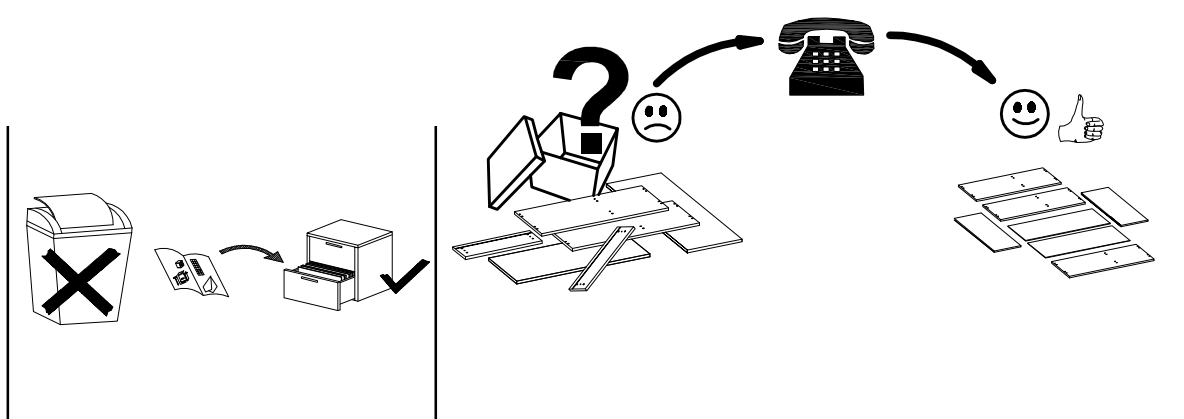
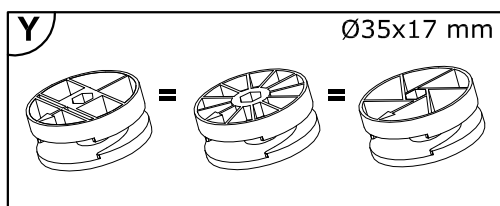
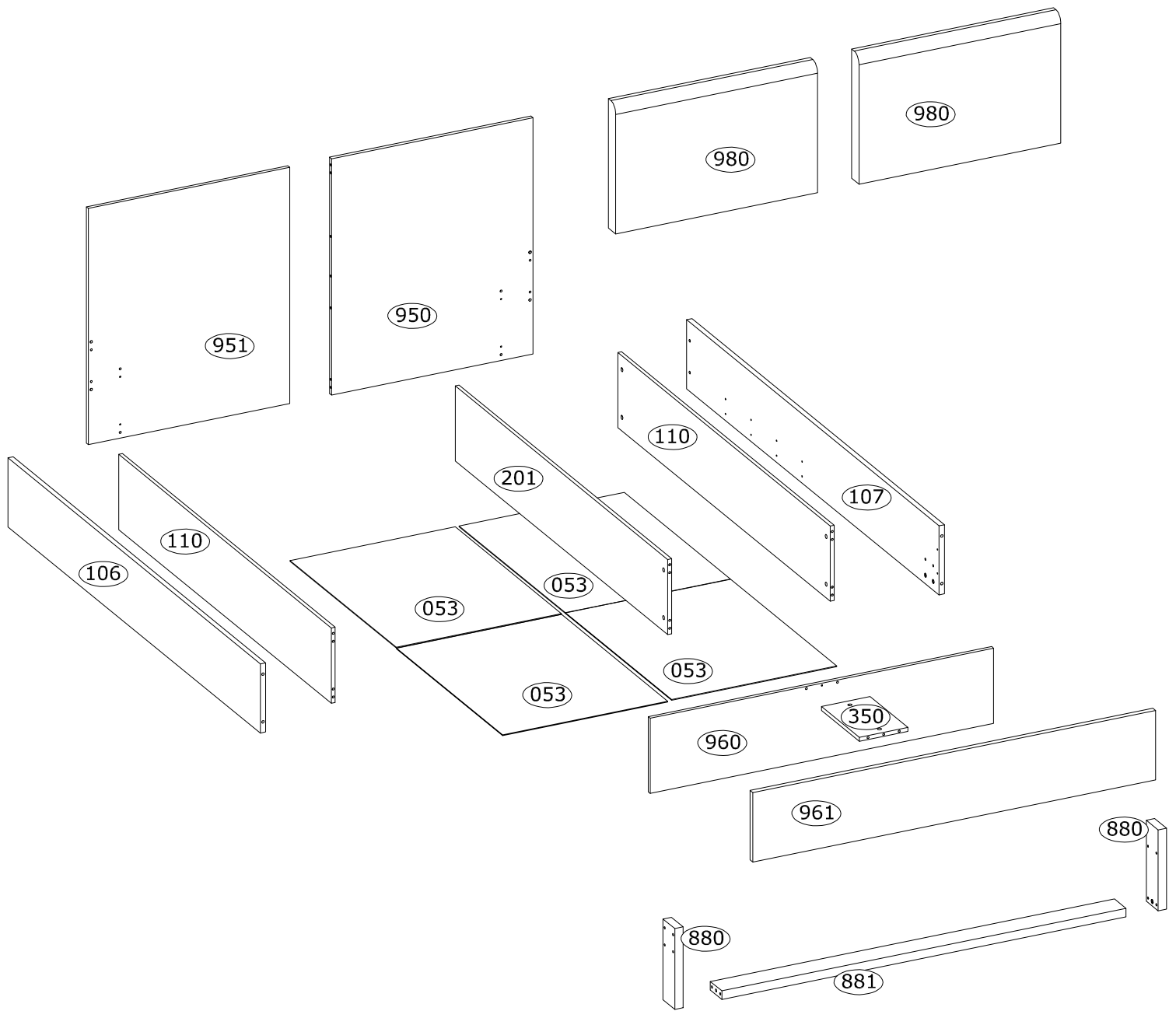


0  
10  
20  
30  
40  
50  
60  
70  
80  
90  
100  
110  
120  
130  
140  
150  
160  
170  
180  
190  
200

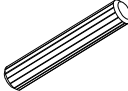



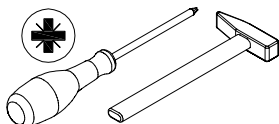


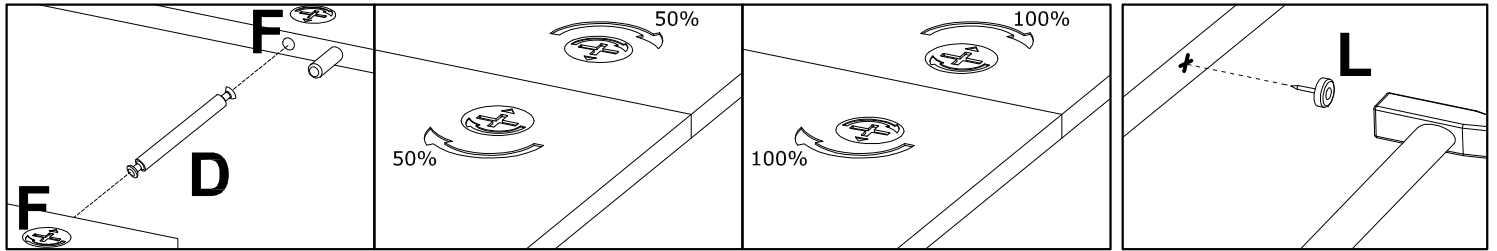
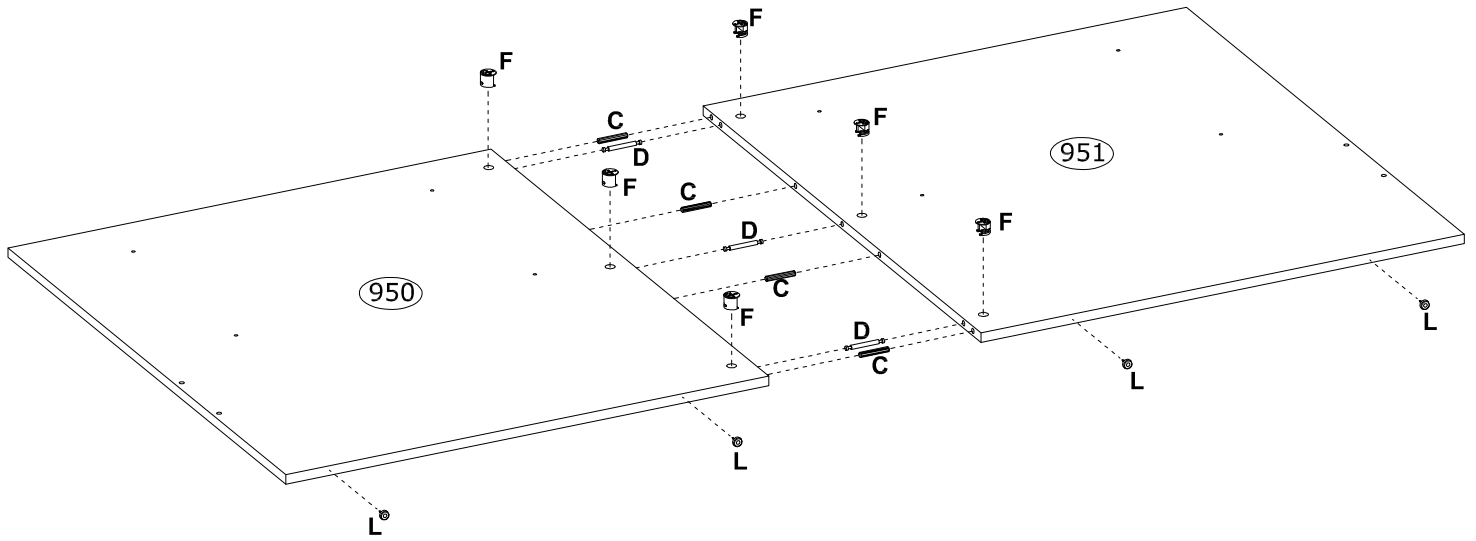
<b>A</b> Ø8x30 mm  x18 3989	<b>B</b> Ø10x35 mm  x8 3992	<b>C</b> Ø8x50 mm  x8 3991	<b>D</b> Ø7,0x59 mm  x3 4058	<b>E</b> Ø6,5x36,5 mm  x12 4066
<b>F</b> Ø15x12 mm  x18 3996	<b>G</b> 8 mm  x1 226502	<b>H</b> 6 mm  x1 3985	<b>I</b> 4 mm  x1 3984	<b>J</b> M6/17  x4 168986
<b>K</b> M8/17  x2 233861	<b>L</b>  x9 70313	<b>M</b> M6 L-55  x4 146787	<b>N</b> M6,0x16,0 mm  x4 3939	<b>O</b> Ø4,0x35 mm  x8 3895
<b>W</b> Ø3,5x16 mm  x16 3918	<b>C1</b> Ø20,0x5 mm  x16 65855	<b>Y</b> Ø35x17 mm  x2 233865	<b>Z</b> M8x39,5 mm  x2 233869	<b>U</b> Ø6,3x13 mm  x8 3880
<b>B1</b> 128x30x23 mm  x2 210474	<b>D1</b> 43x21x21 mm  x2 228270	<b>A1</b> M6x45,0 mm  x4 205079		



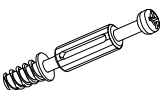
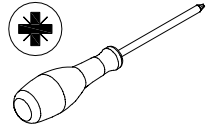


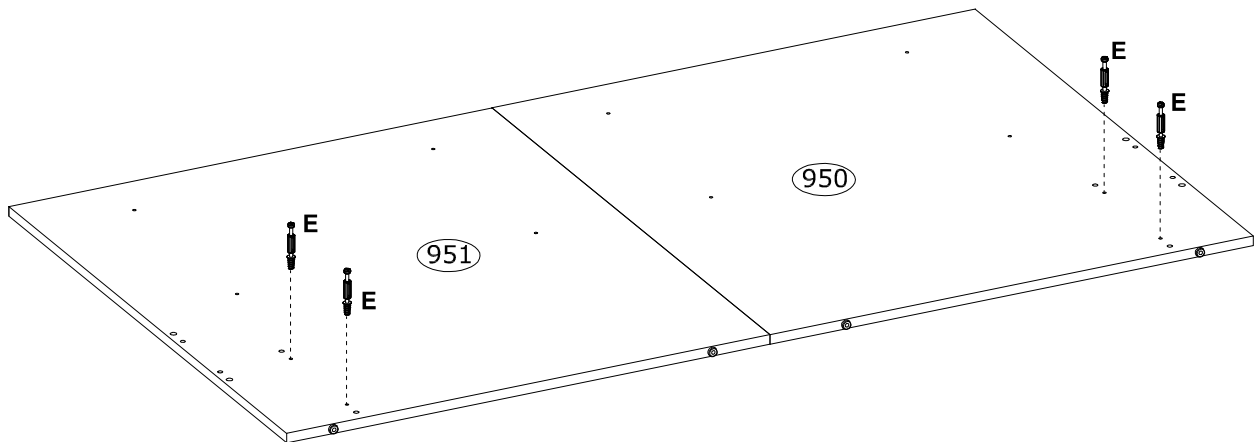
1

<b>C</b> Ø8x50 mm  x4 3991	<b>L</b>  x4 70313	<b>D</b> Ø7,0x59 mm  x3 4058	<b>F</b> Ø15x12 mm  x6 3996	 +
---	---	---	--	---



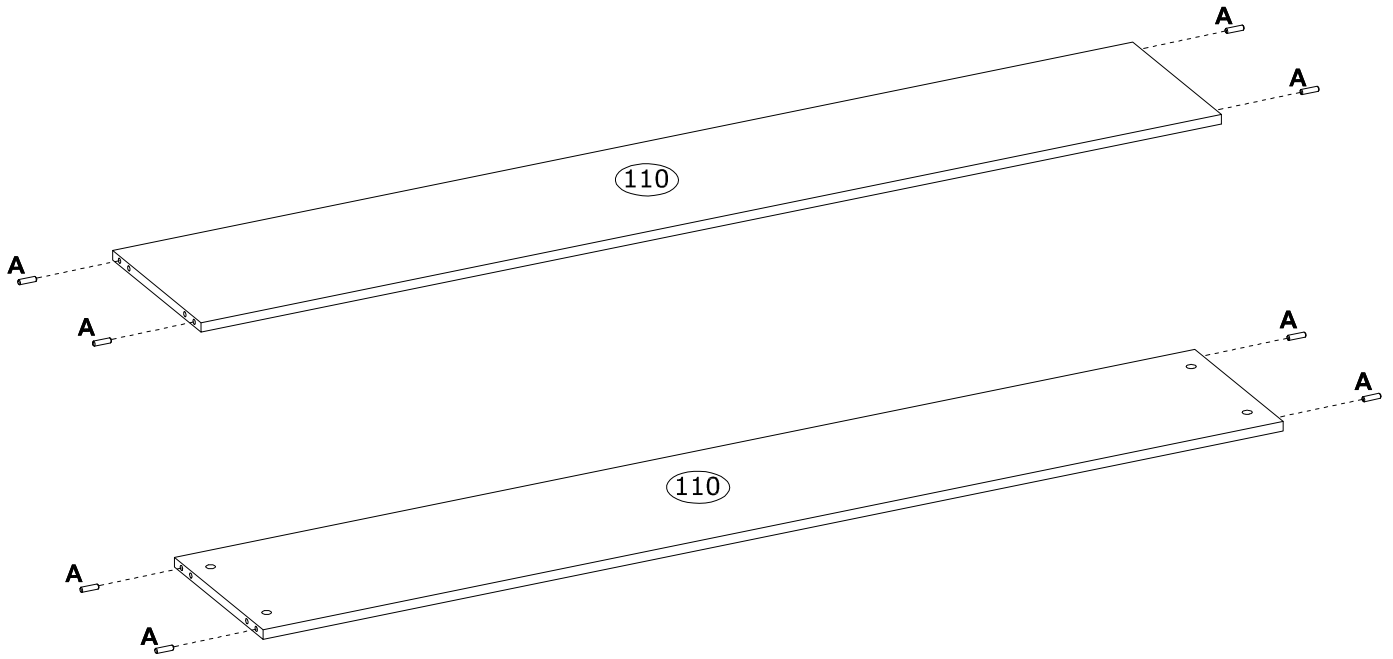
2

<b>E</b> Ø6,5x36,5 mm  x4 4066	 +
---	--



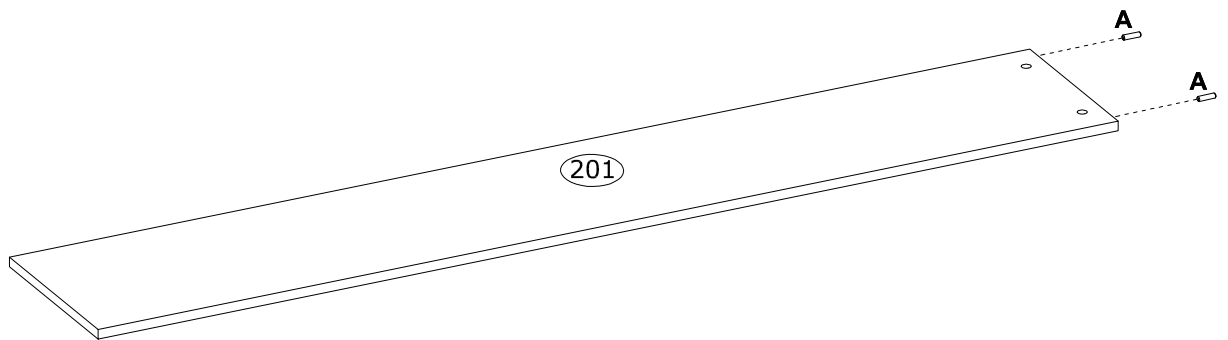
3

<b>A</b>	Ø8x30 mm		
	x8		
	3989		


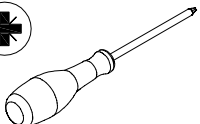


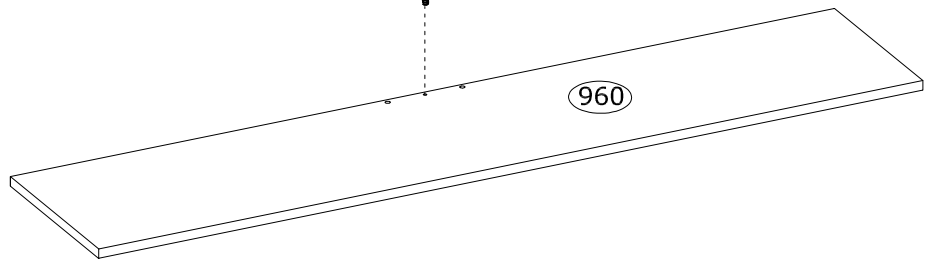
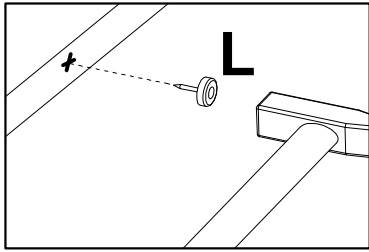
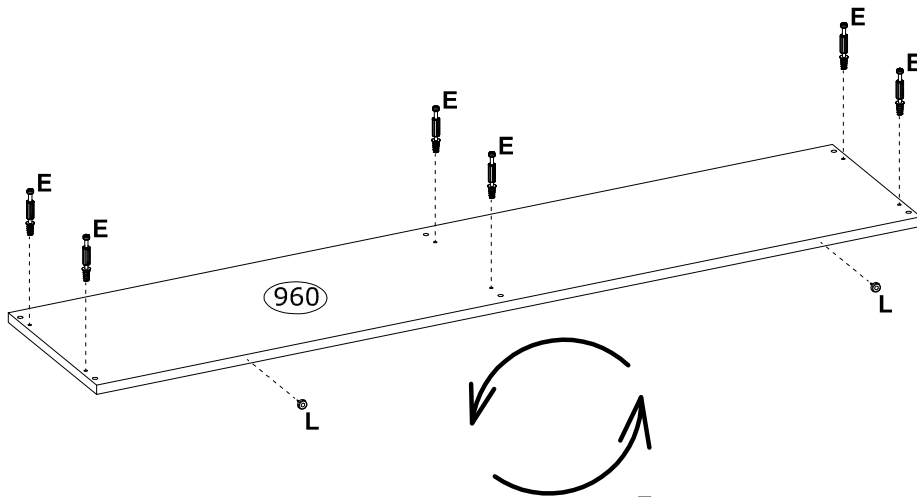
4

<b>A</b>	Ø8x30 mm		
	x2		
	3989		



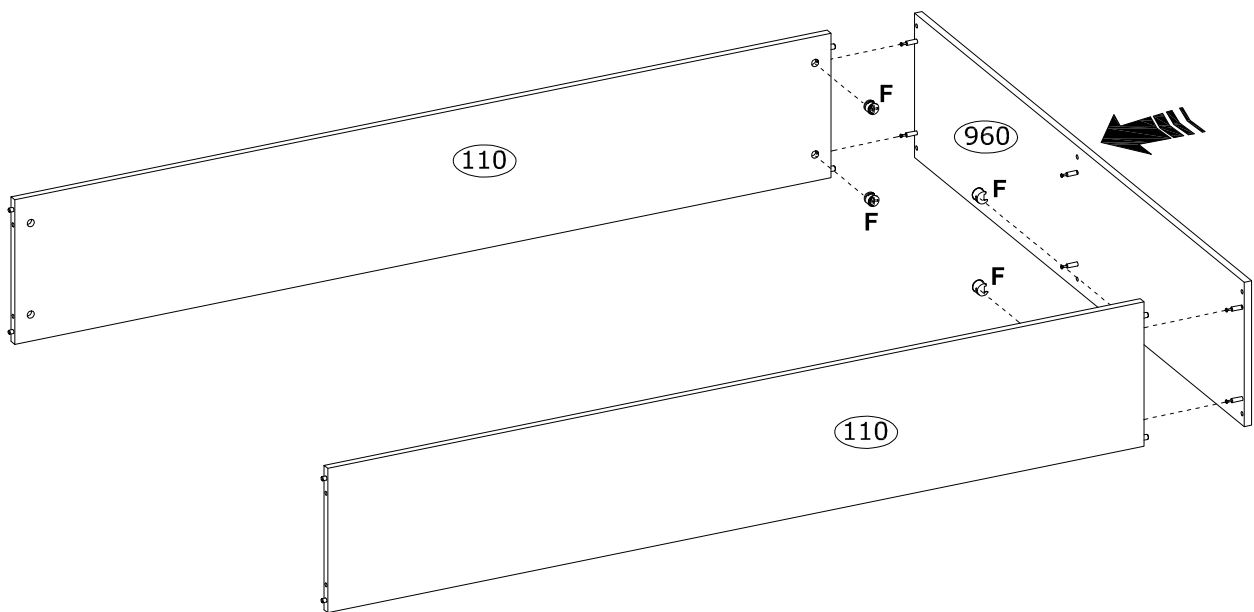
5

<b>E</b> Ø6,5x36,5 mm  x7 4066	<b>L</b>  x2 70313	 
---	---	--



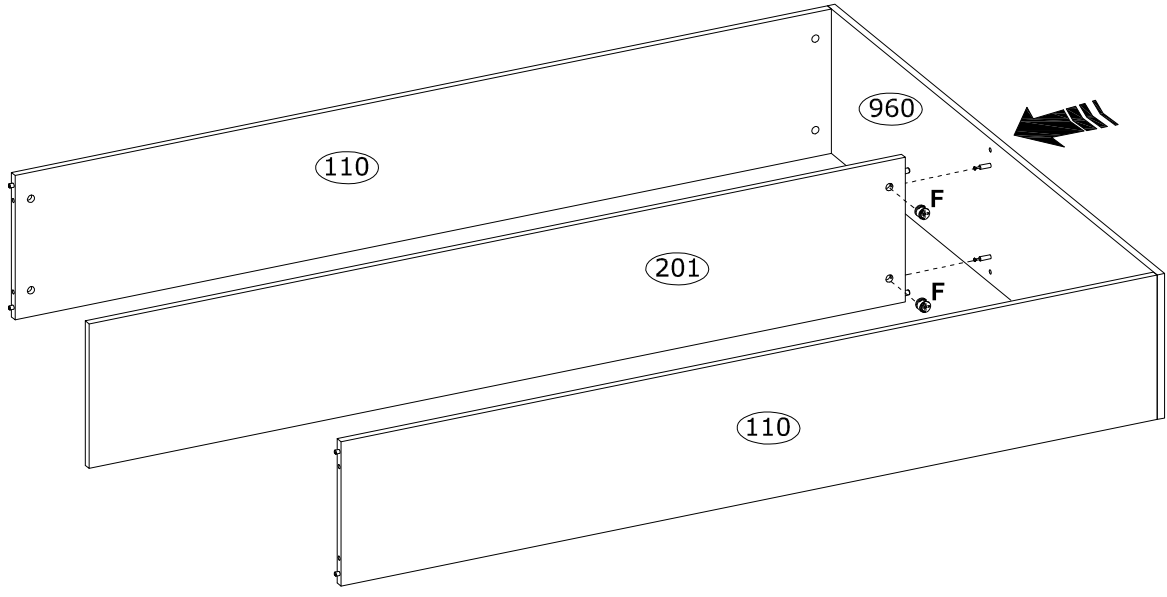
6

<b>F</b> Ø15x12 mm  x4 3996	 
--	--



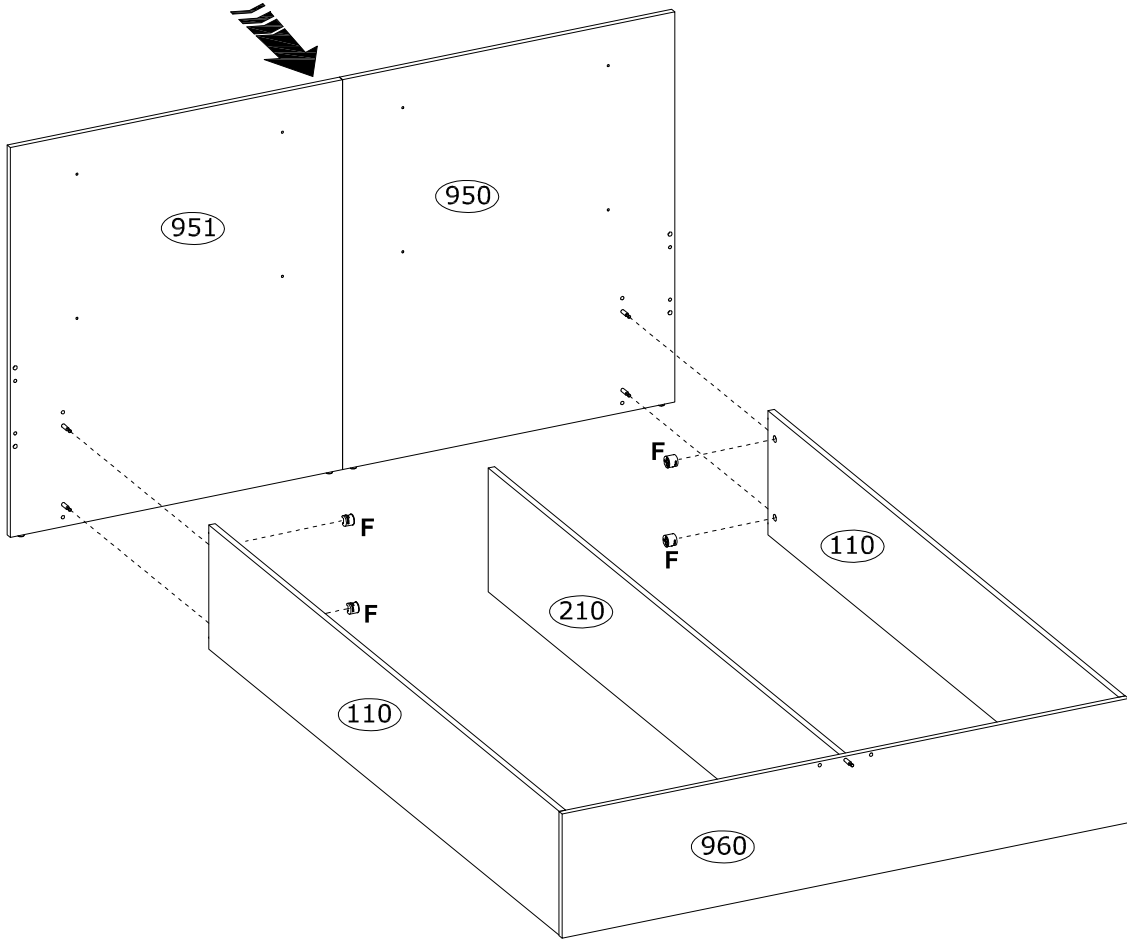
7

<b>F</b>	Ø15x12 mm		x2 3996	
----------	-----------	---	------------	--



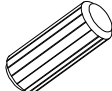
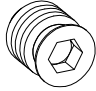
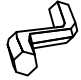
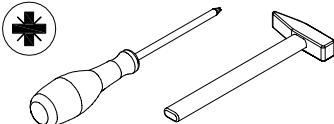
8

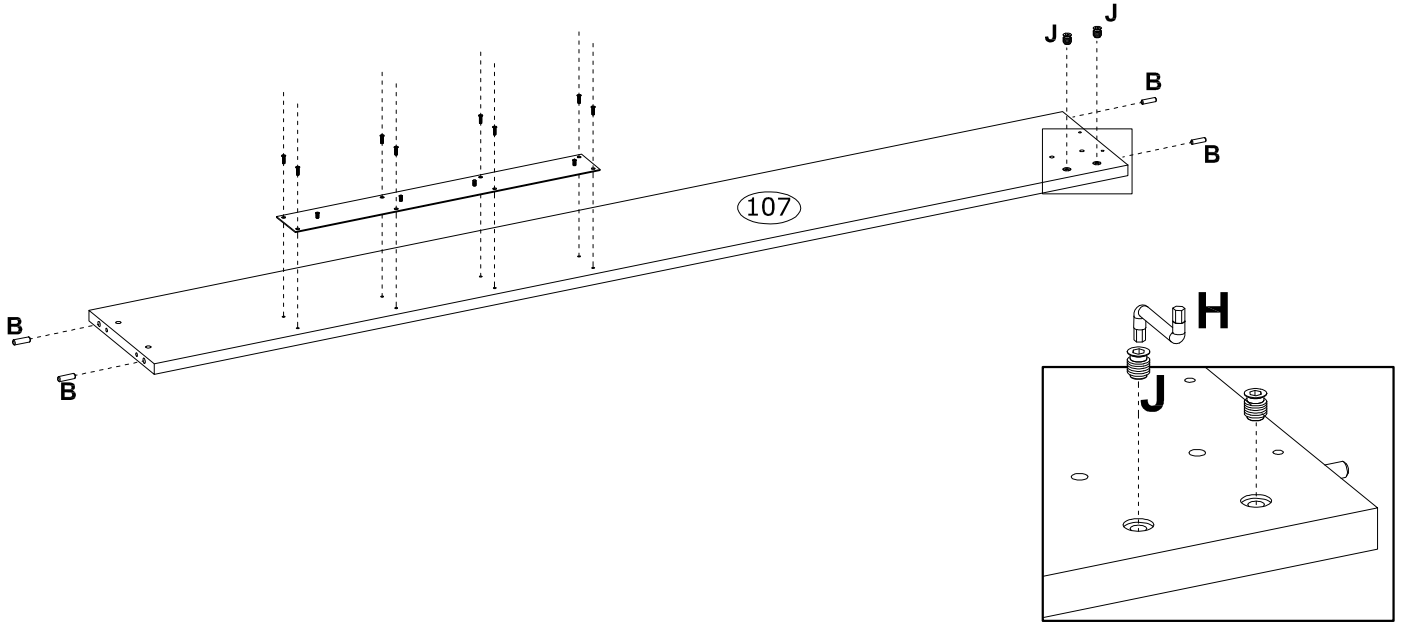
<b>F</b>	Ø15x12 mm		x4 3996	
----------	-----------	---	------------	--



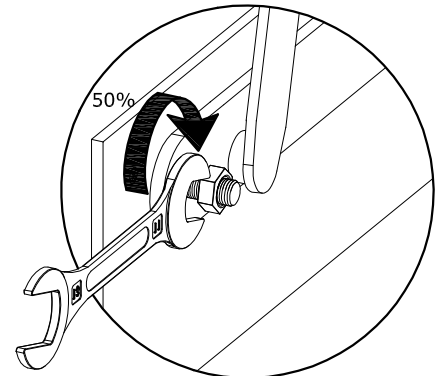
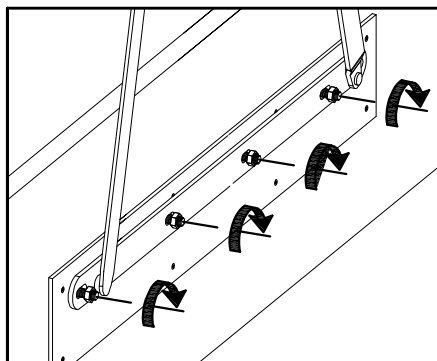
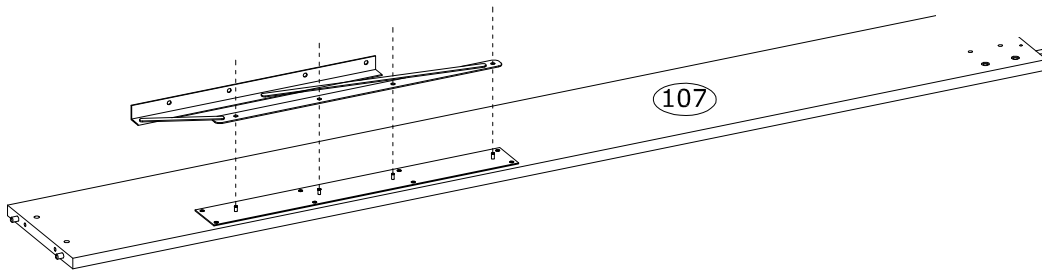
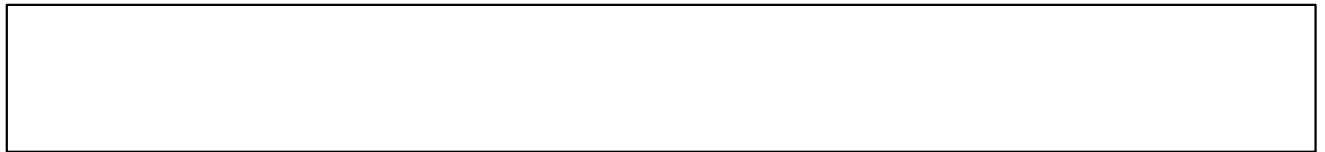


9

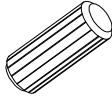
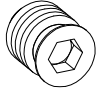
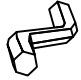
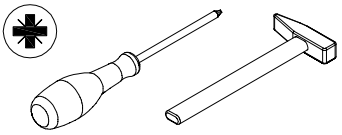

<b>B</b> Ø10x35 mm  x4 3992	<b>J</b> M6/17  x2 168986	<b>H</b> 6 mm  x1 3985	
--	---	--	--

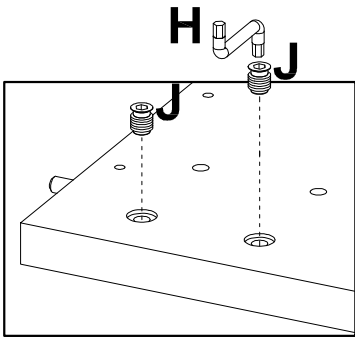
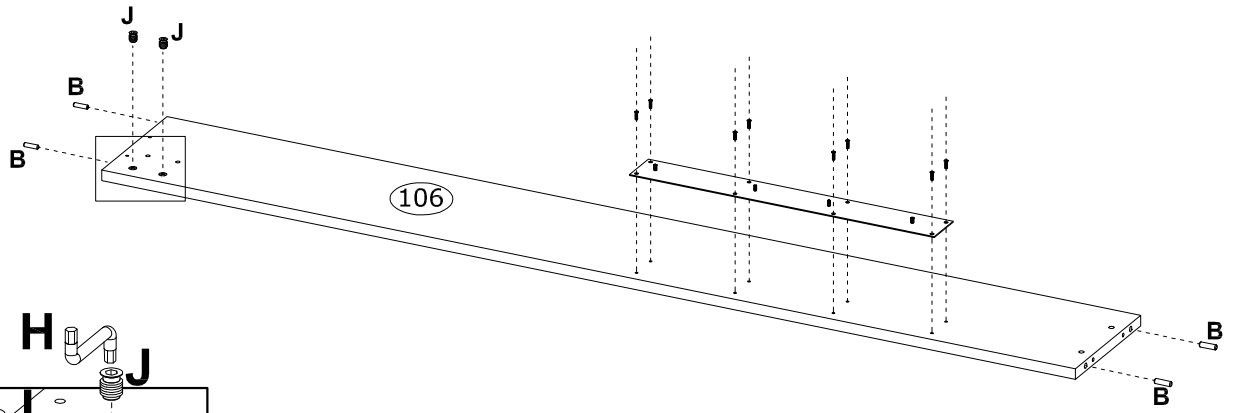


10

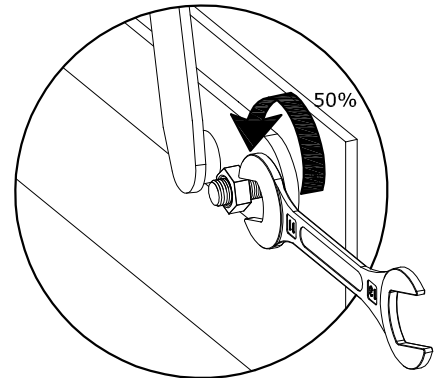
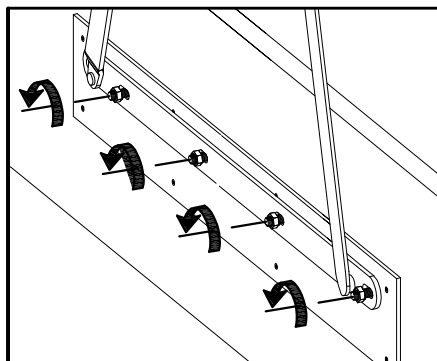
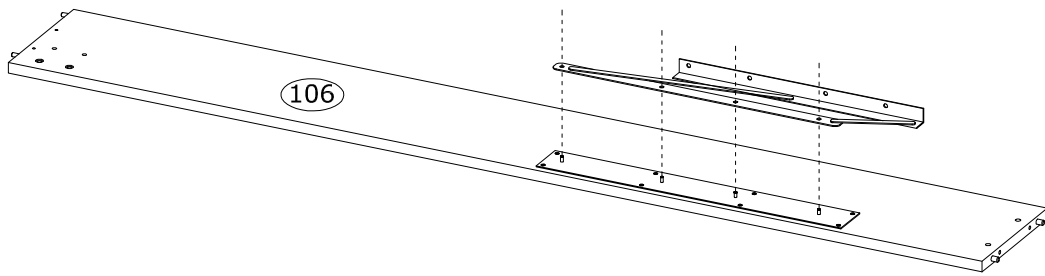
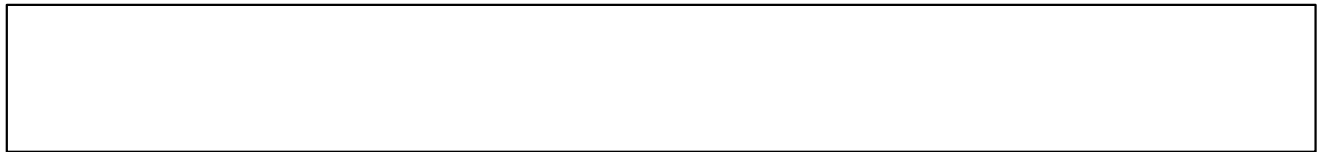


11


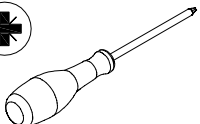
<b>B</b> Ø10x35 mm  x4 3992	<b>J</b> M6/17  x2 168986	<b>H</b> 6 mm  x1 3985	 
--	---	--	--

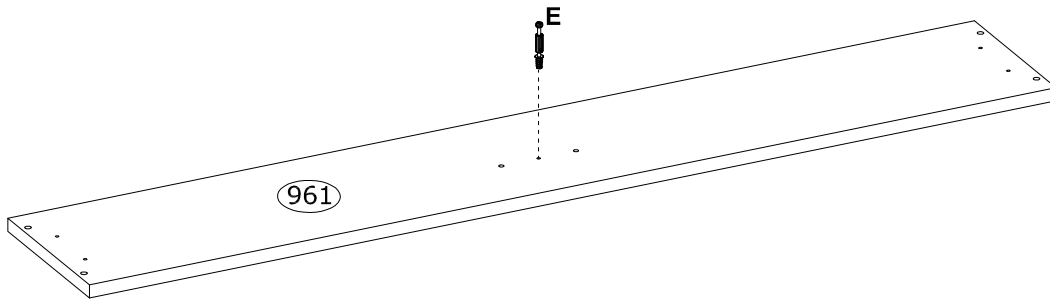


12

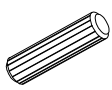


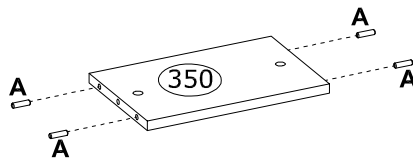
13

<b>E</b>  Ø6,5x36,5 mm x1 4066	 
---	--

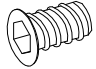



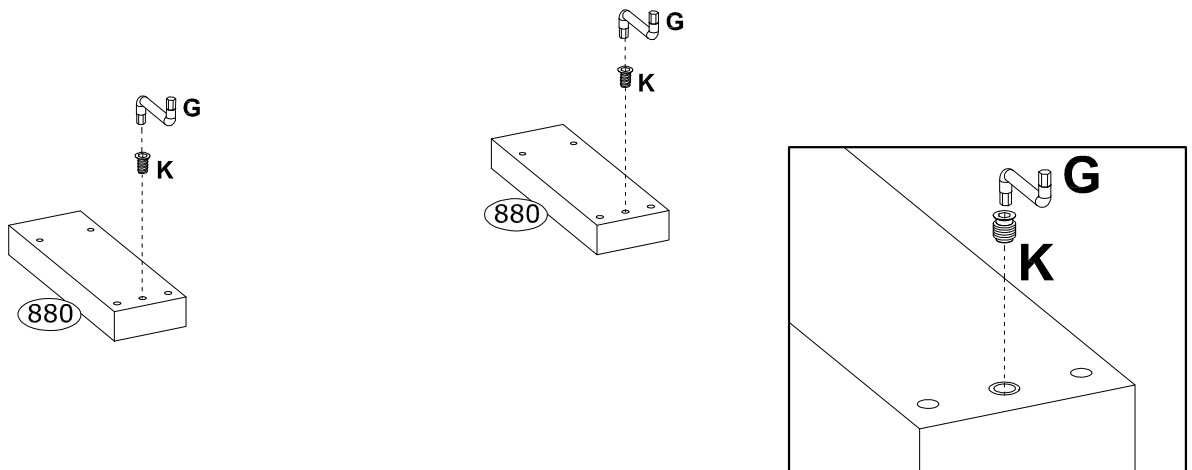
14

<b>A</b>  Ø8x30 mm x4 3989	
---	---



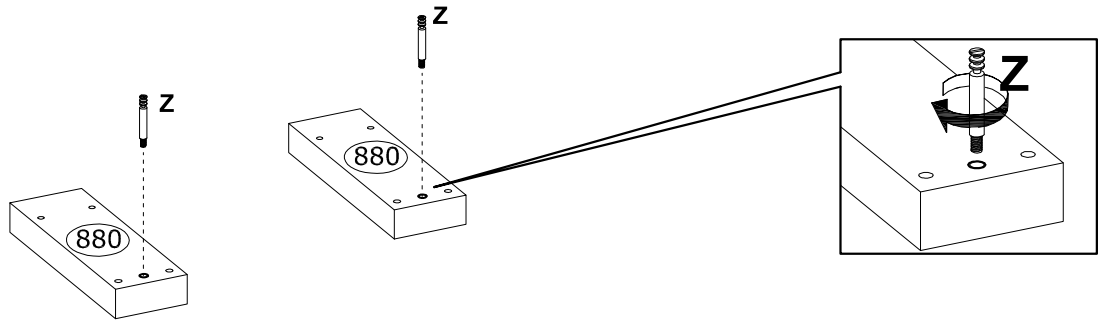
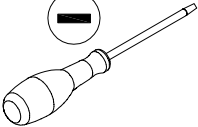
15

<b>K</b>  M8/17 x2 233861	<b>G</b>  8 mm x1 226502
--	---



16

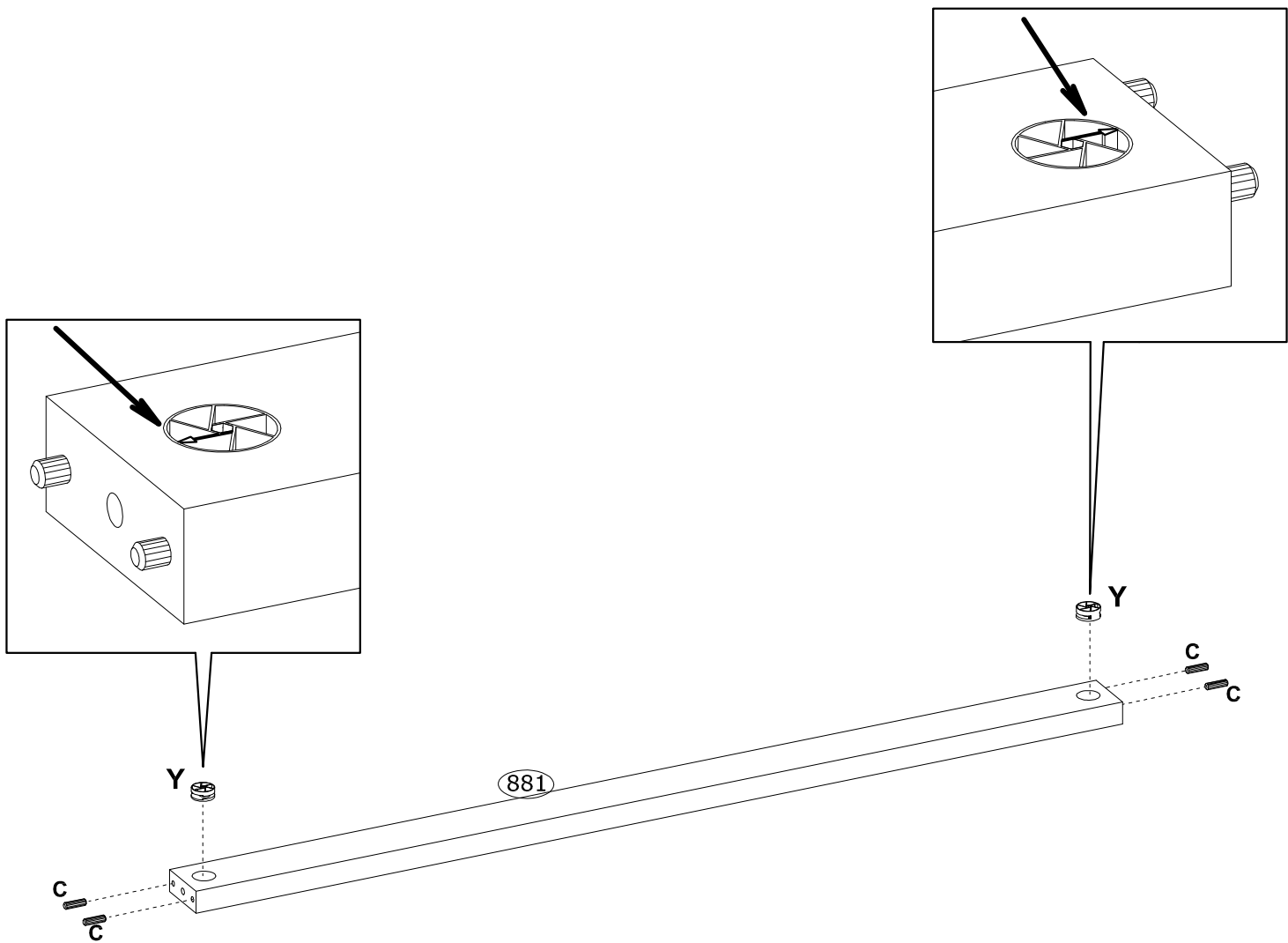
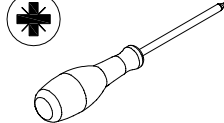
**Z** M8x39,5 mm  
x2  
233869




17

**Y** Ø35x17 mm  
x2  
233865

**C** Ø8x50 mm  
x4  
3991

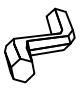


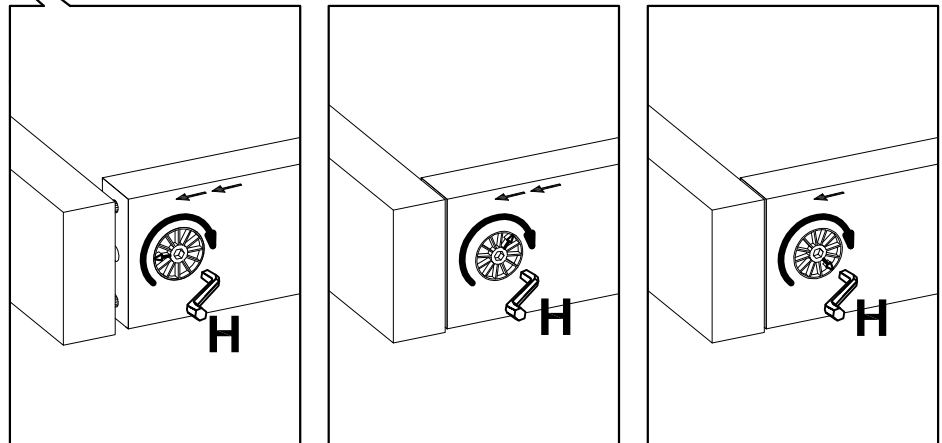
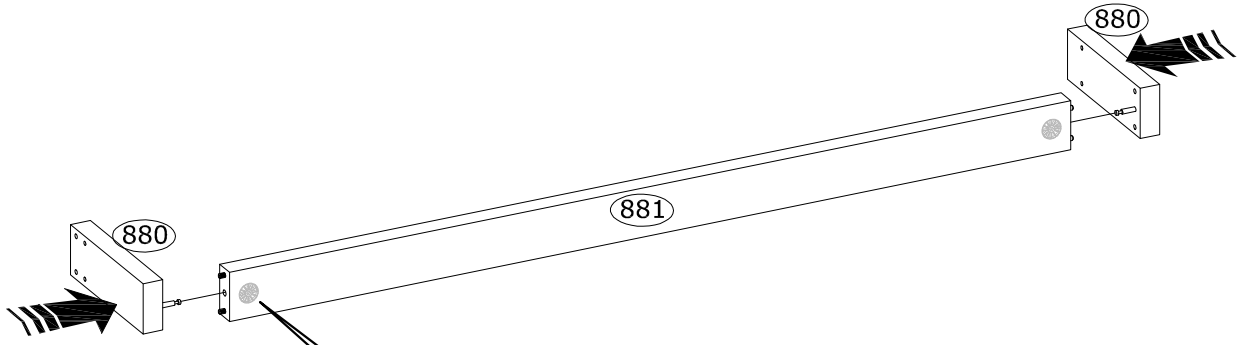
**Y** Ø35x17 mm



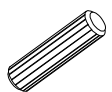

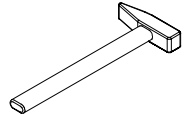
Three views of component Y, showing its internal structure.

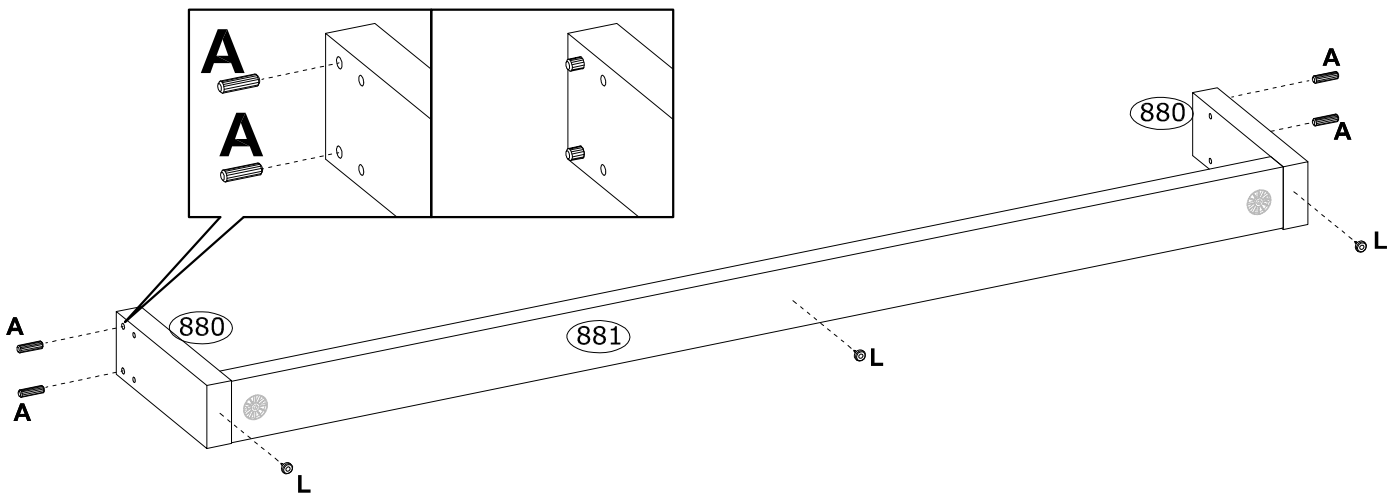
18

<b>H</b>		6 mm
	<b>x1</b>	
	3985	

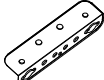



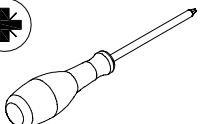


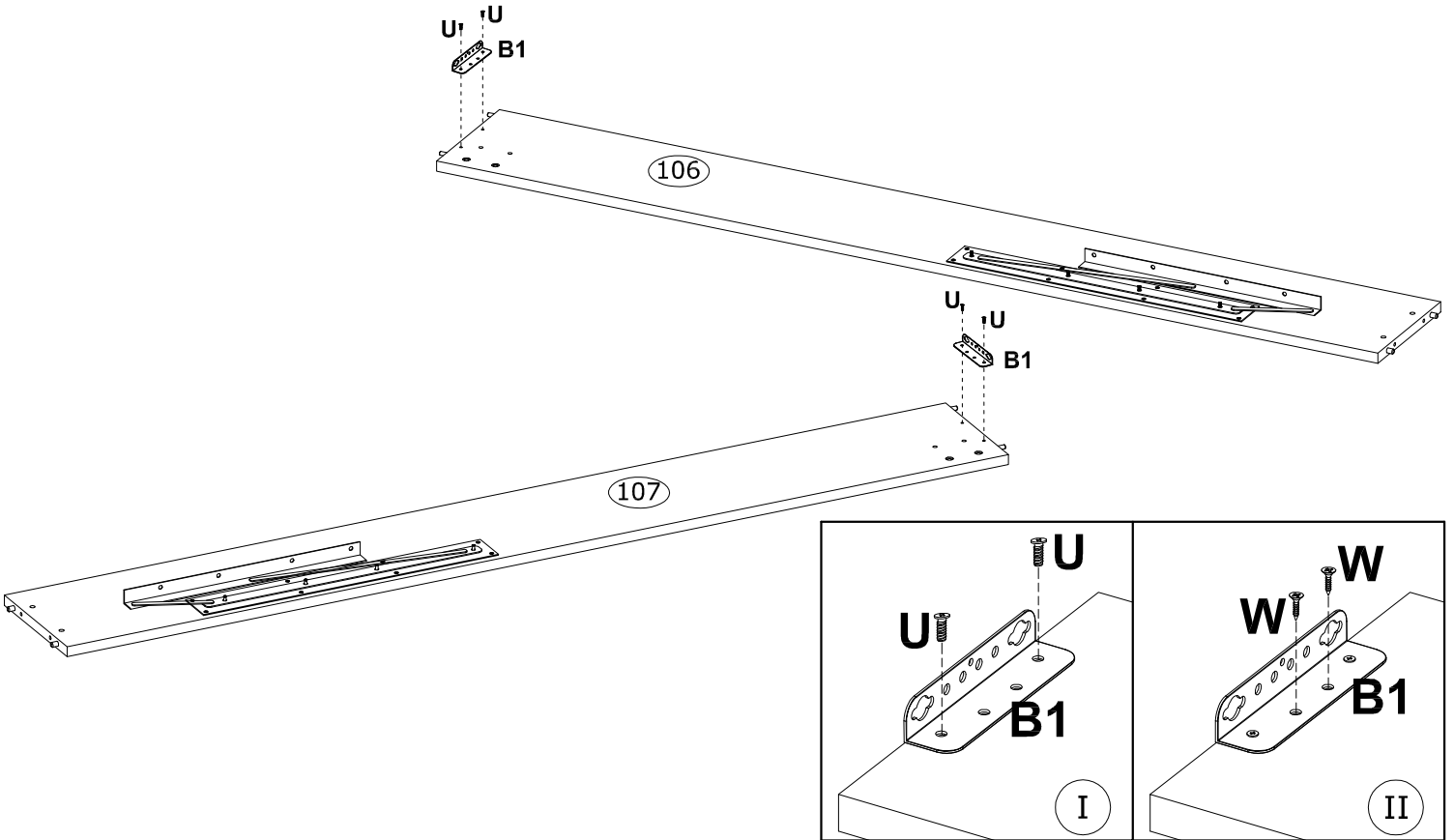
19

<b>A</b>		Ø8x30 mm	<b>L</b>			
	<b>x4</b>			<b>x3</b>		
	3989			70313		


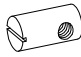




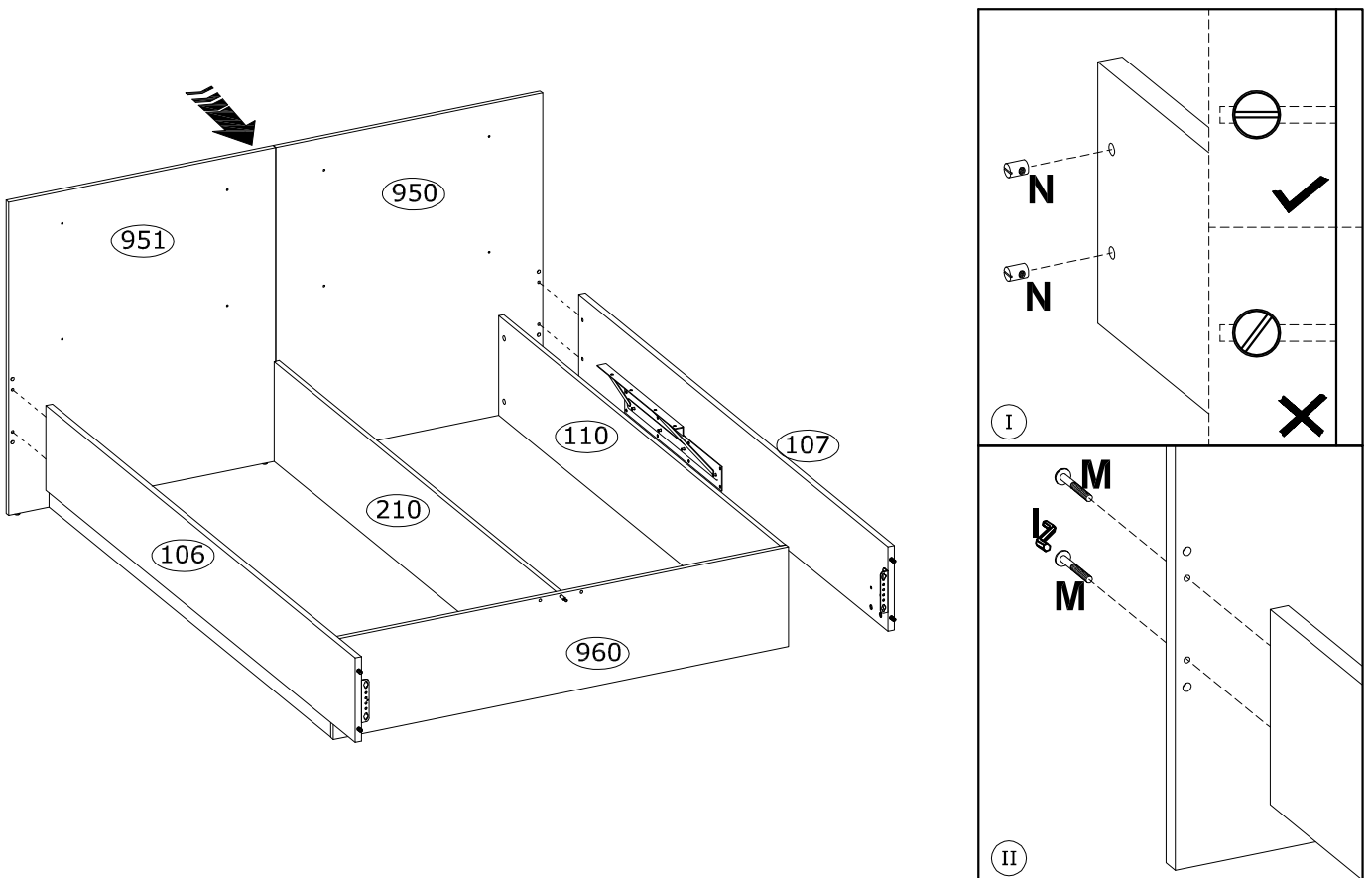
20

<b>B1</b> 128x30x23 mm  x2 210474	<b>U</b> Ø6,3x13 mm  x4 3880	<b>W</b> Ø3,5x16 mm  x4 3918	 
---	--	--	---

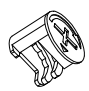




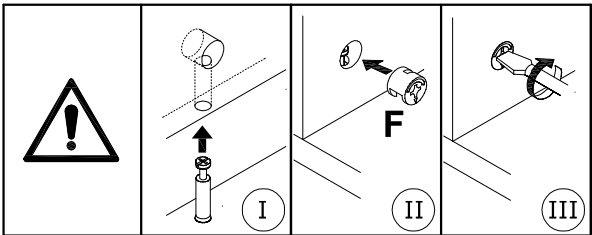
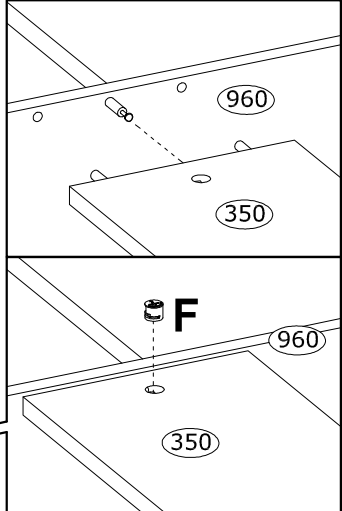
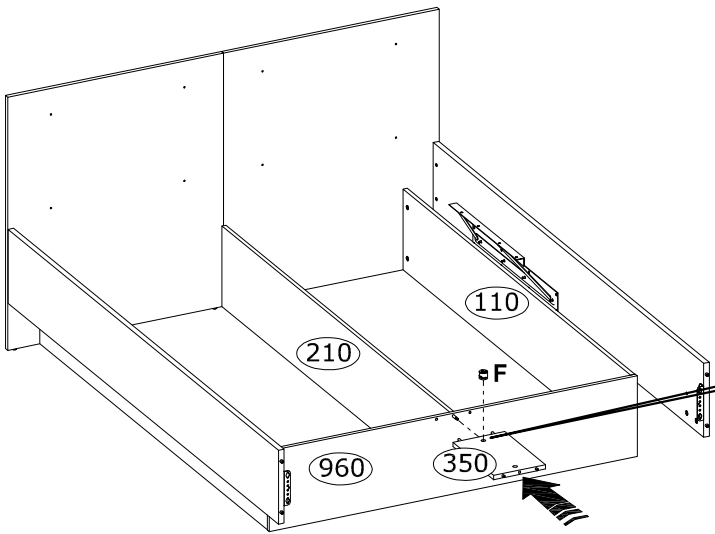
21

<b>M</b> M6 L-55  x4 146787	<b>N</b> M6,0x16,0 mm  x4 3939	<b>I</b> 4 mm  x1 3984	 x2
--	---	---	--





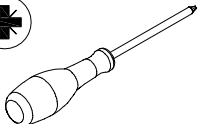


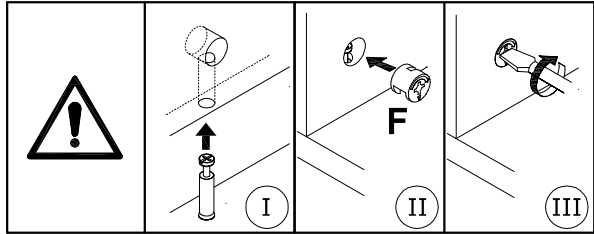
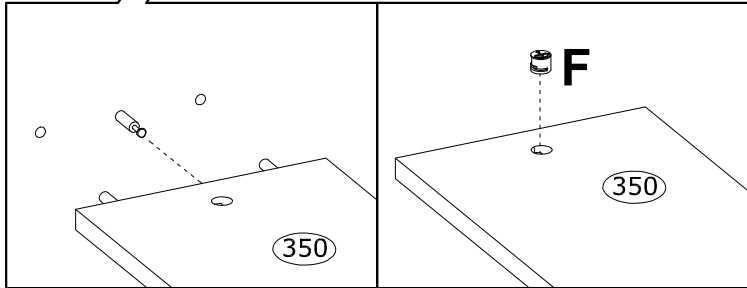
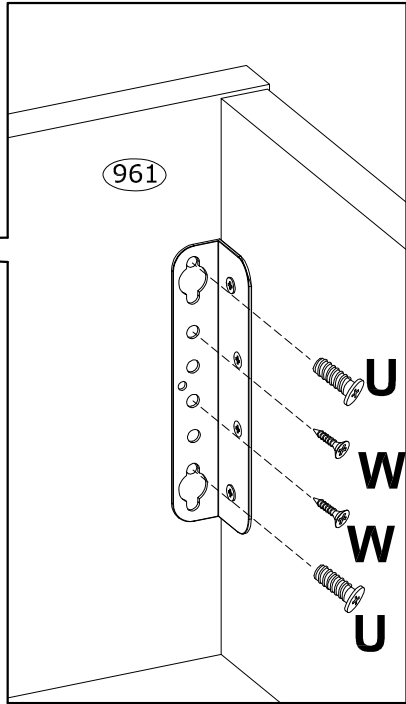
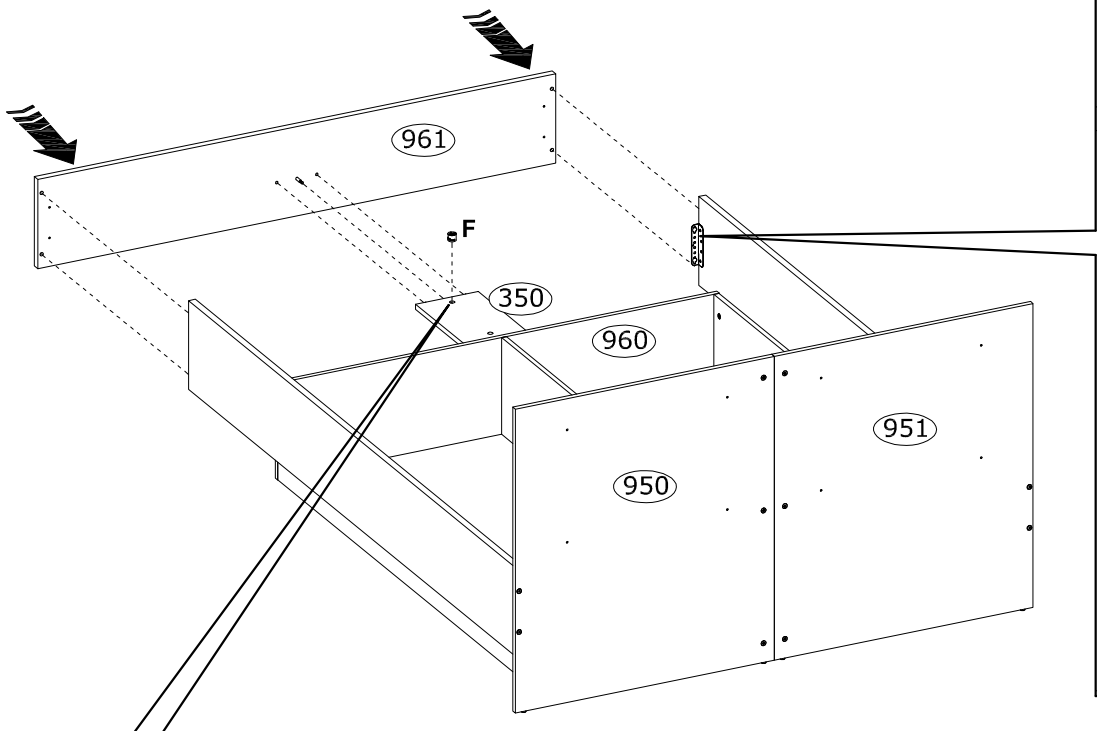
22

<b>F</b> $\varnothing 15 \times 12$ mm  x1 3996			 x2
--	--	--	---

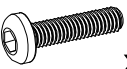
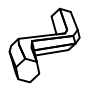
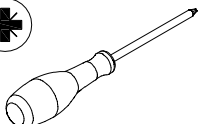



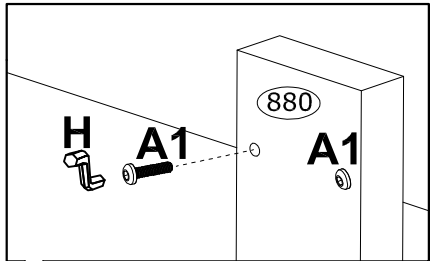
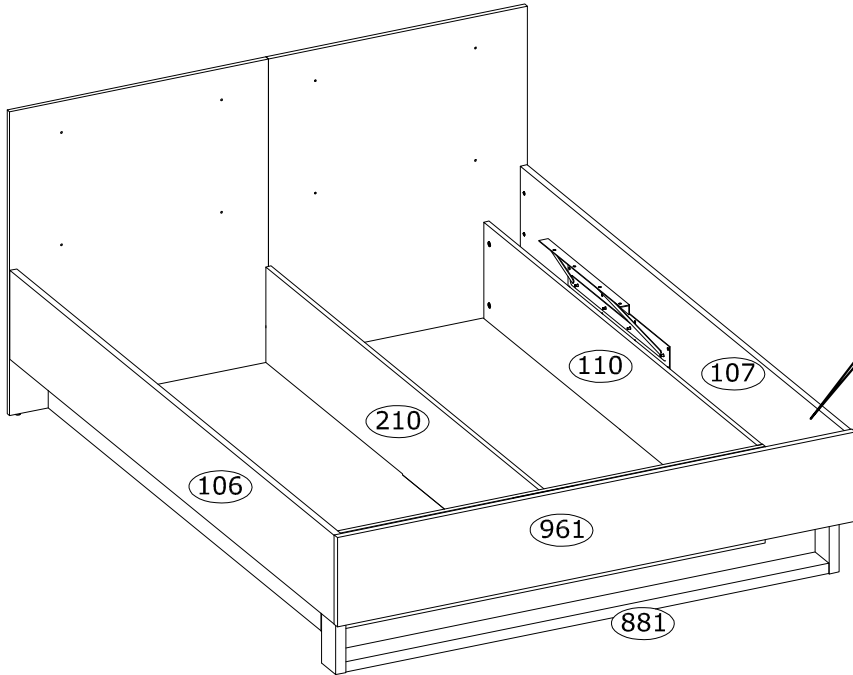
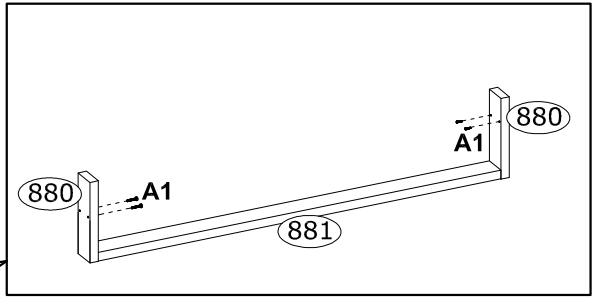
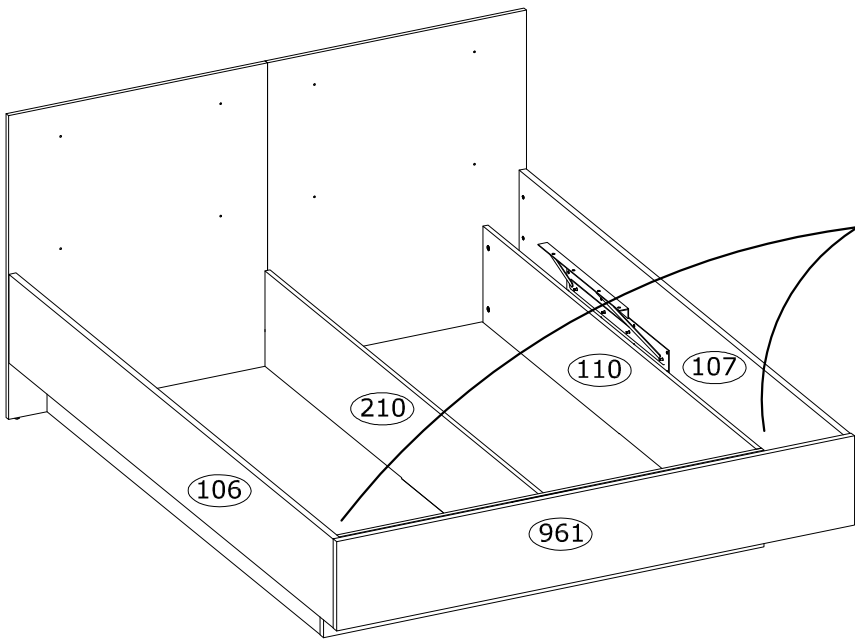
23

<b>F</b> $\varnothing 15 \times 12$ mm  x1 3996	<b>U</b> $\varnothing 6,3 \times 13$ mm  x4 3880	<b>W</b> $\varnothing 3,5 \times 16$ mm  x4 3918	 x2	
---	--	--	---	--



24

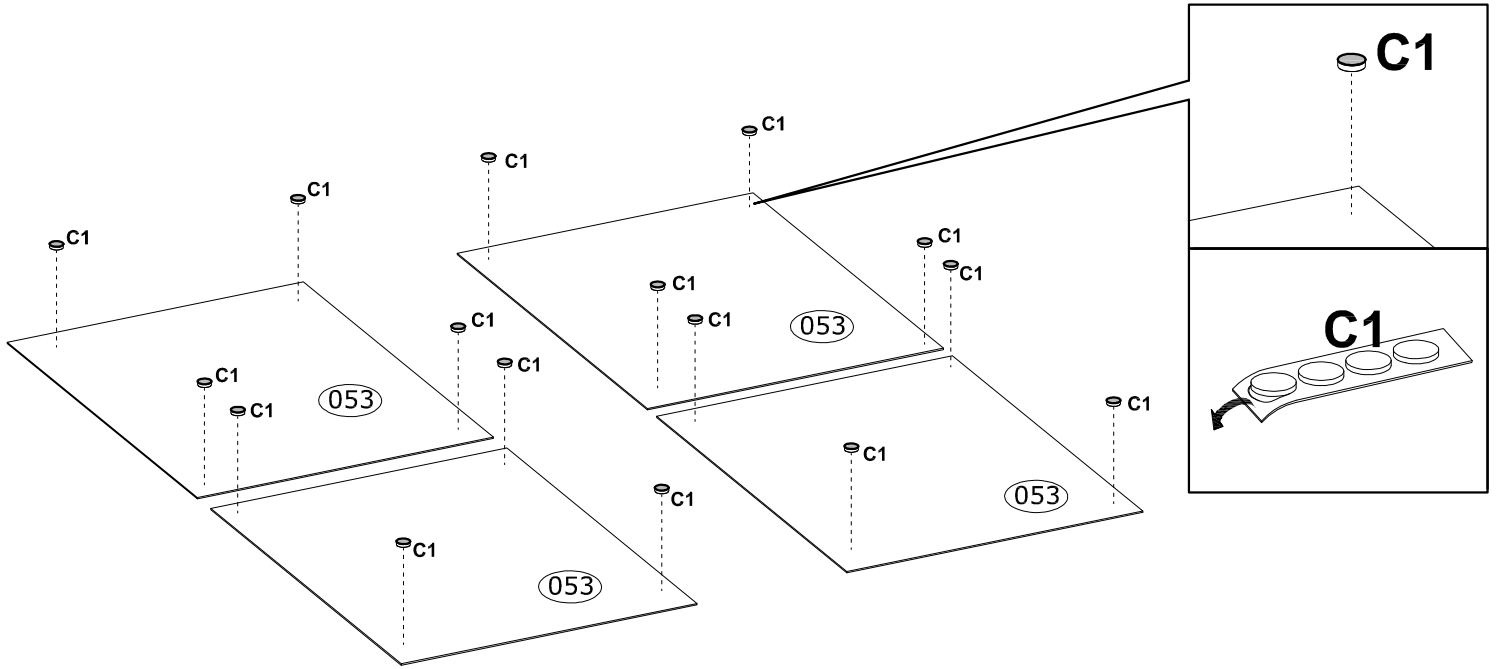
<b>A1</b> M6x45,0 mm  x4 205079	<b>H</b> 6 mm  x1 3985		 x2
--	--	--	---





25

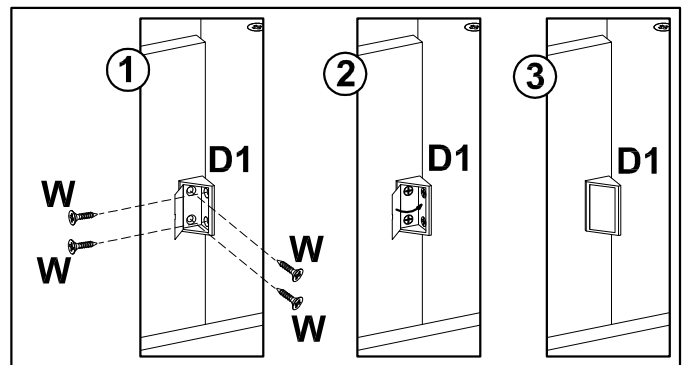
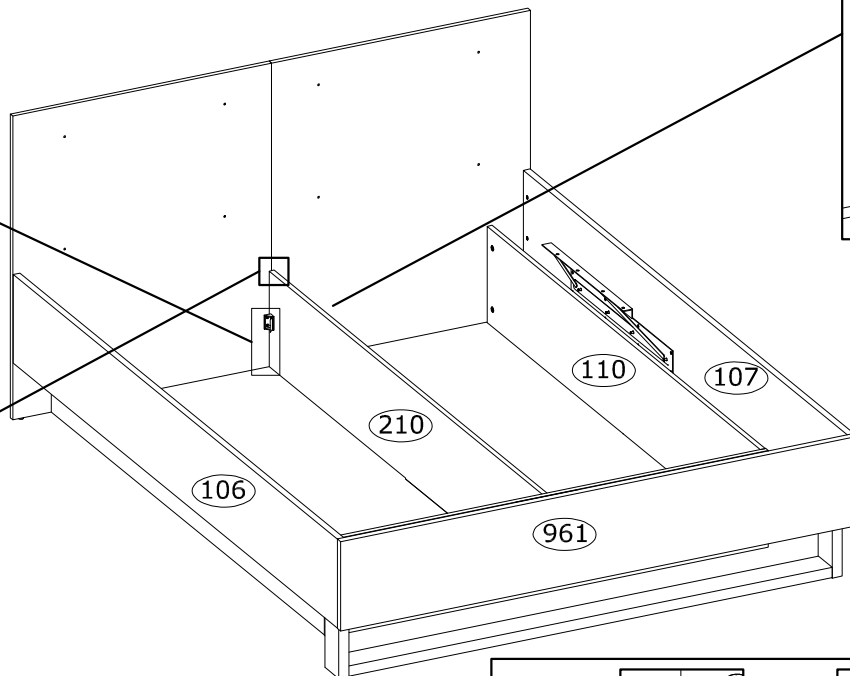
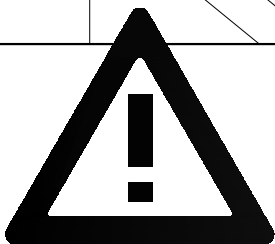
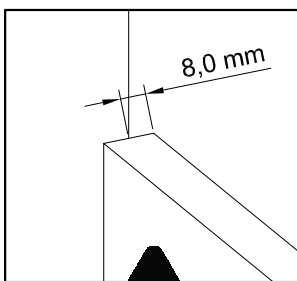
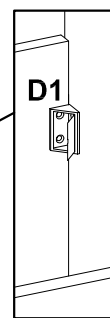
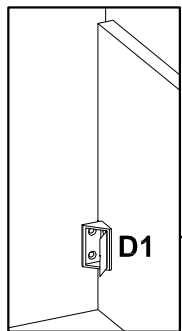
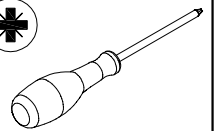
C1  
Ø20,0x5 mm  
x16  
65855




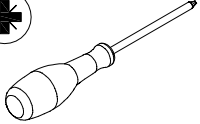
26

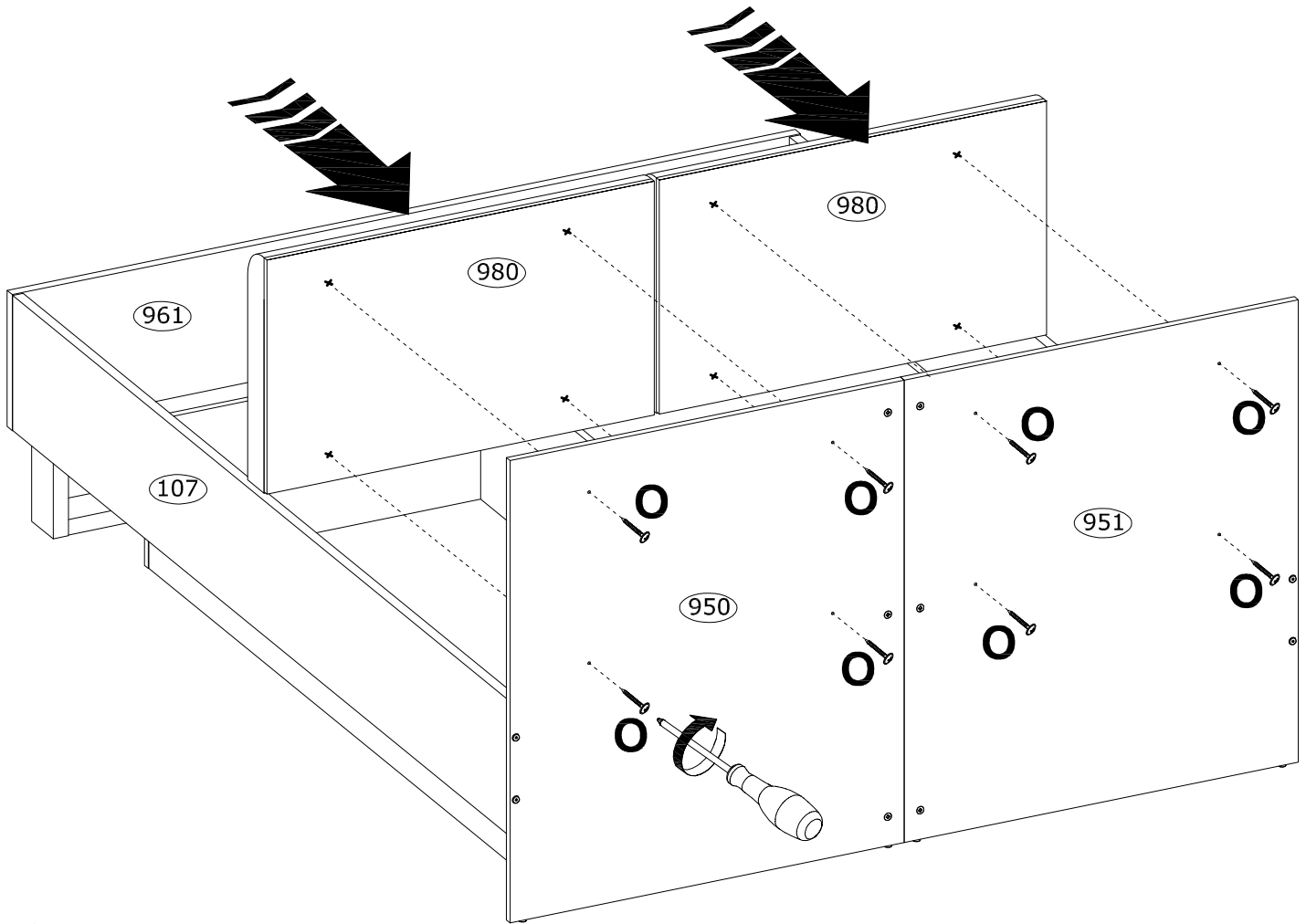
D1  
43X21X21 mm  
x2  
228270

W  
Ø3,5x16 mm  
x8  
3918

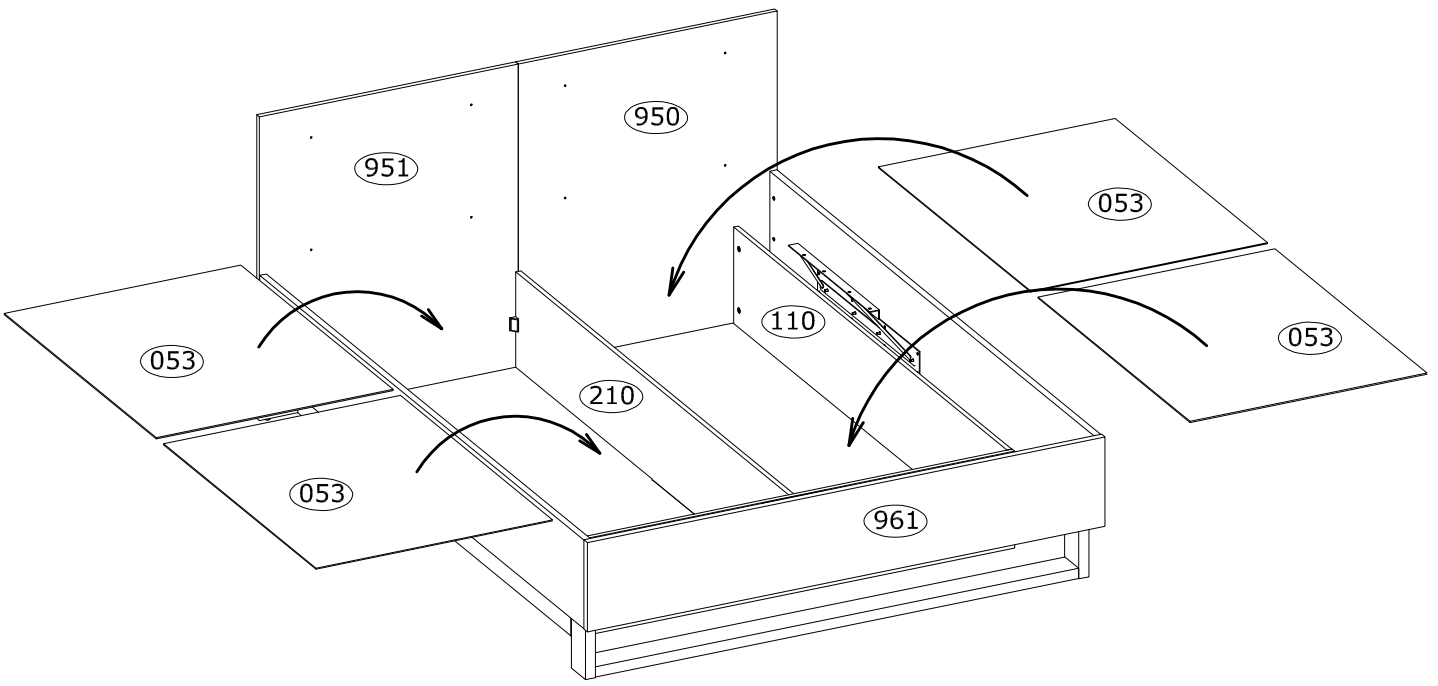


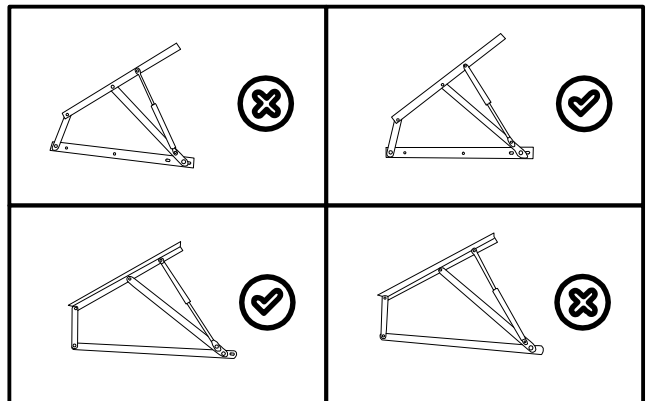
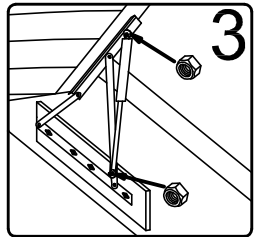
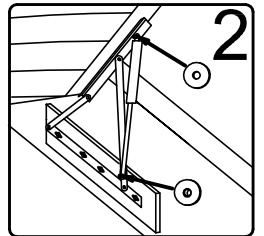
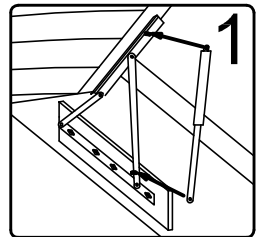
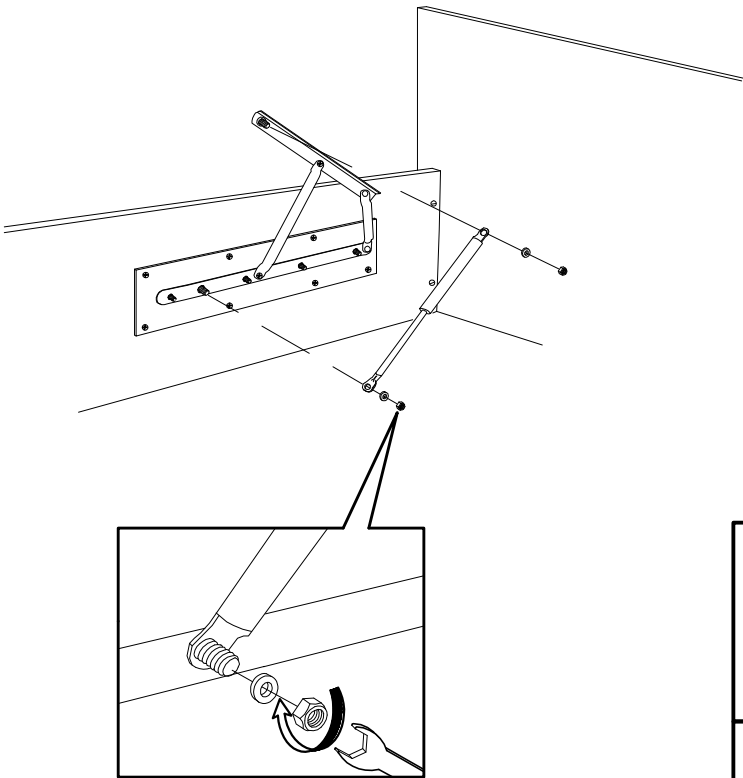
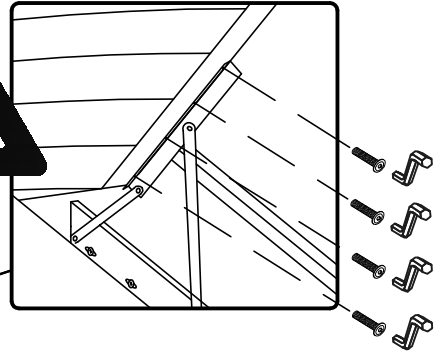
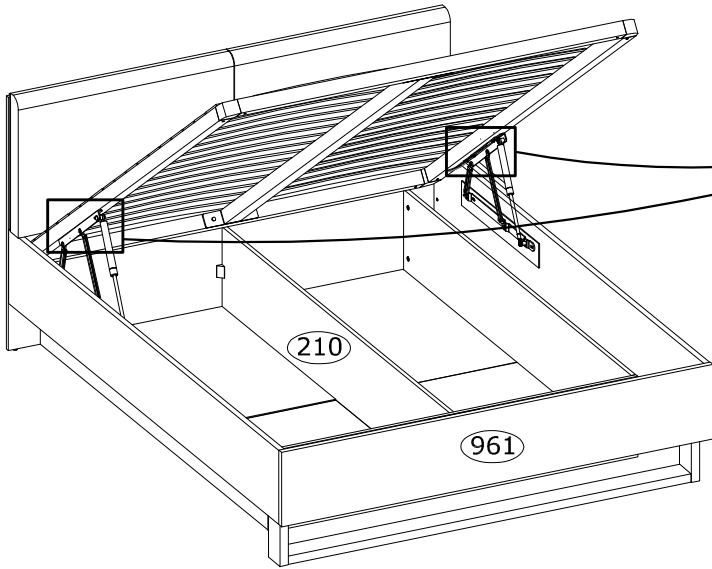
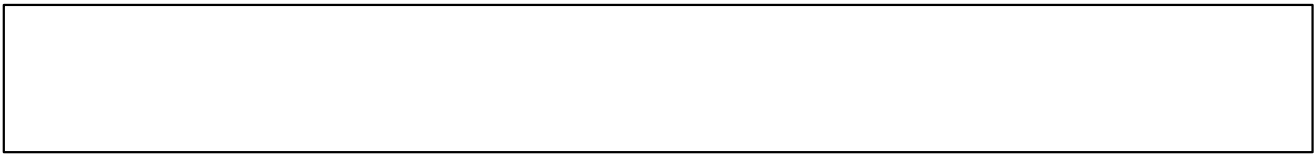
27

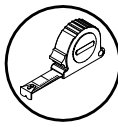
 <p>Ø4,0x35 mm x8 3895</p>	 <p>x2</p>	
---	--	--



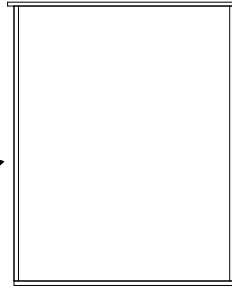
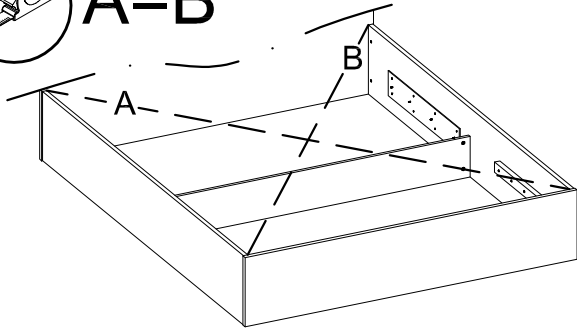
28



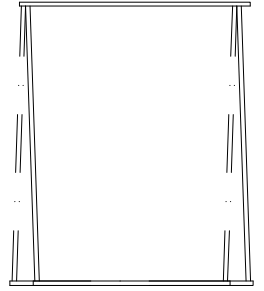




A=B

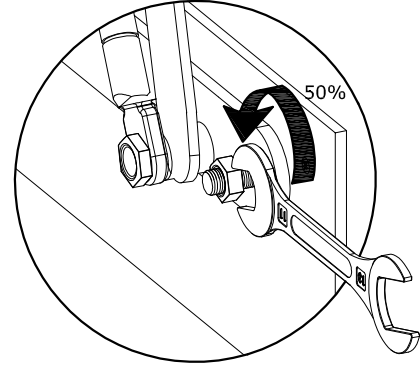
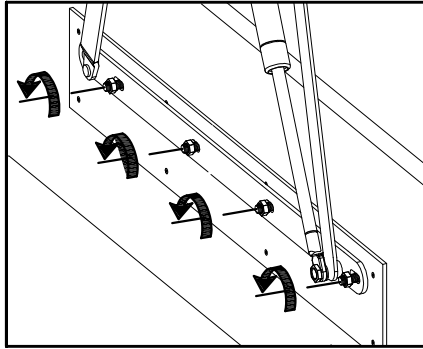


A=B

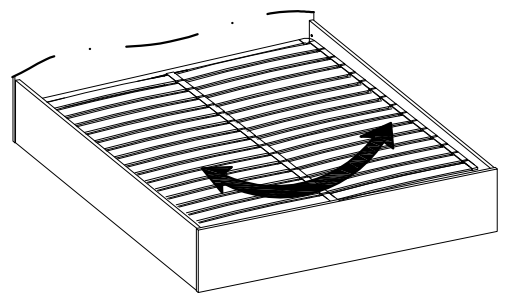
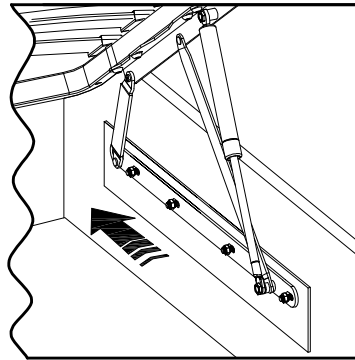
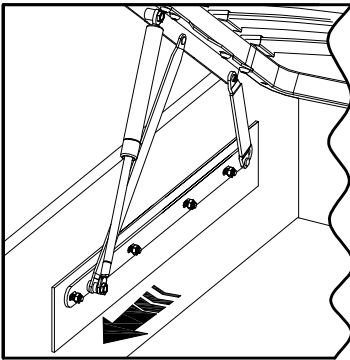
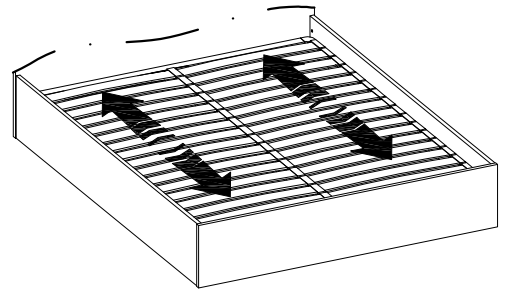
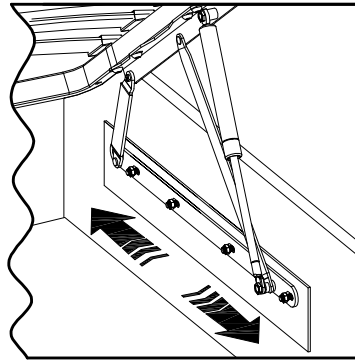
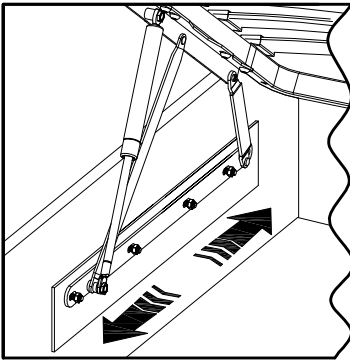


A≠B

I.



II.



III.

