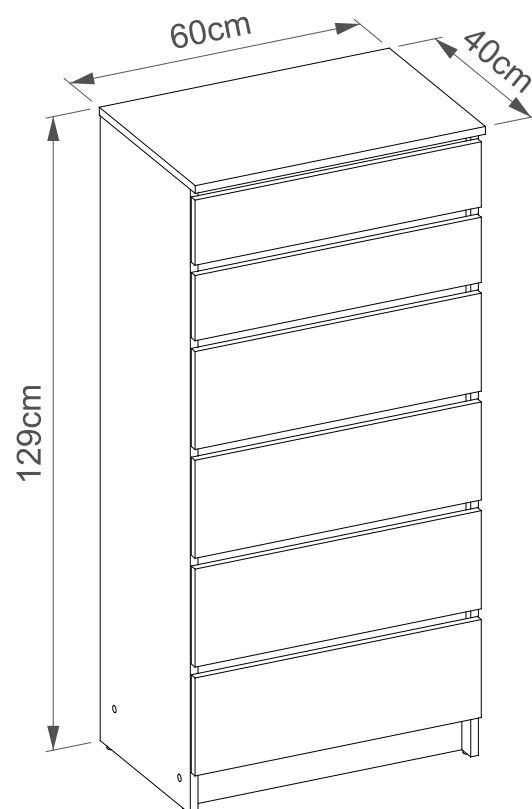
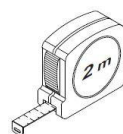
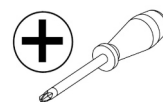
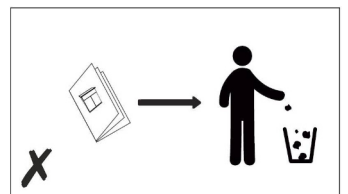
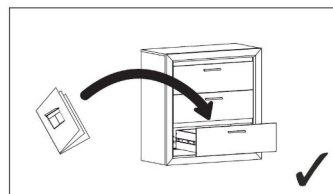
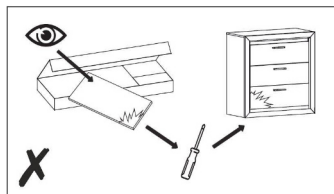
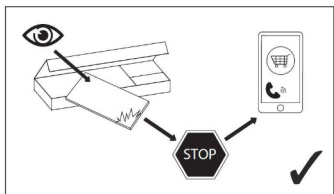
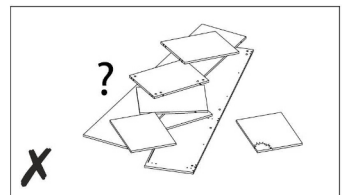
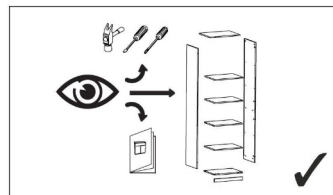
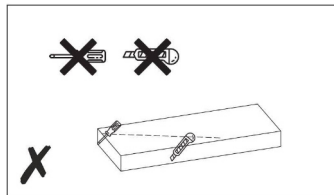
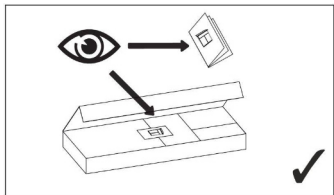
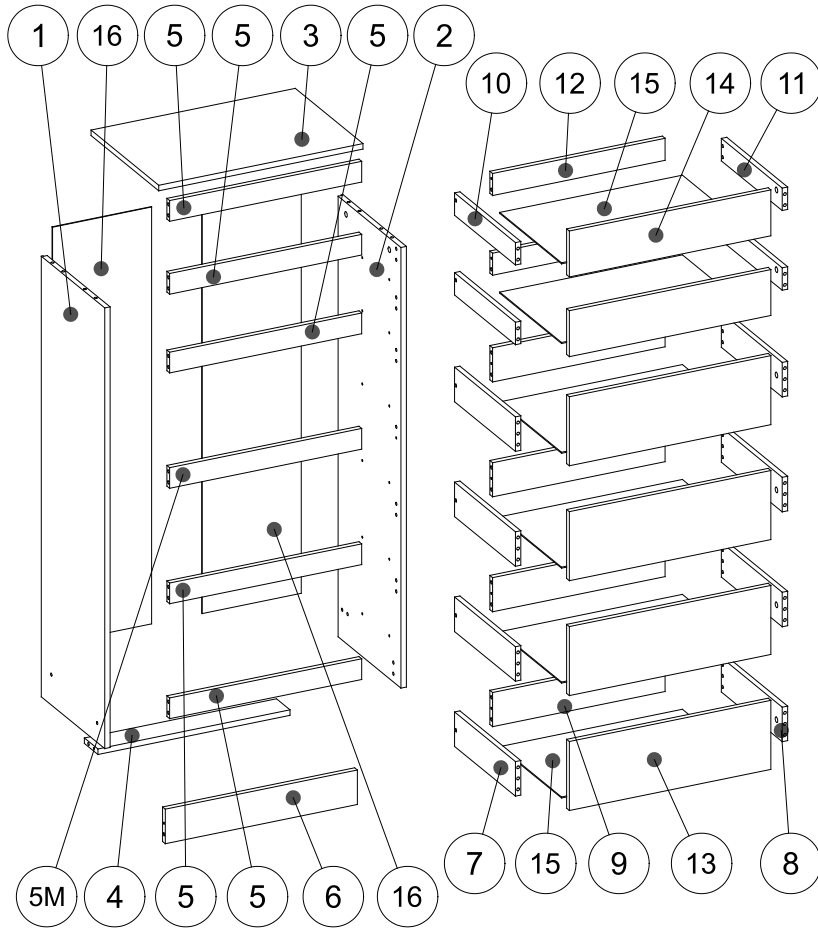


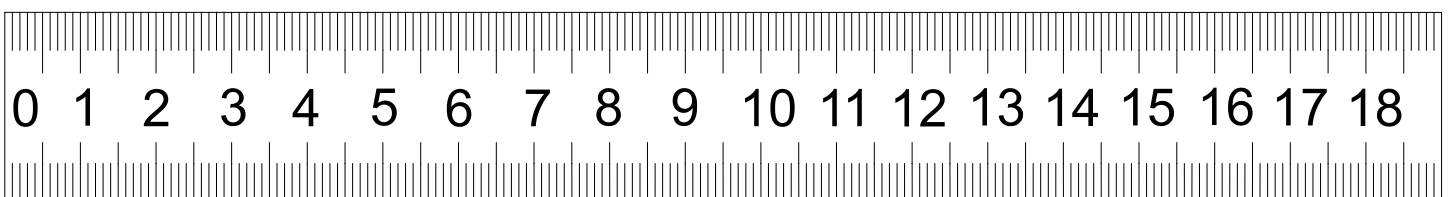
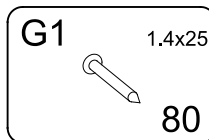
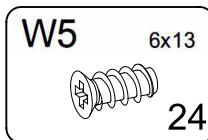
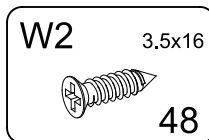
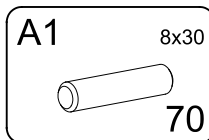
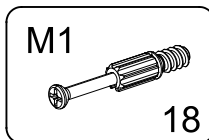
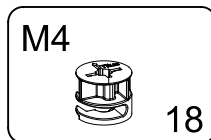
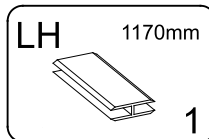
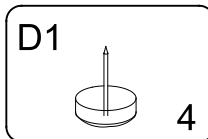
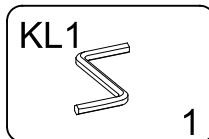
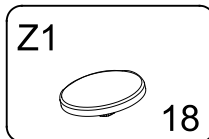
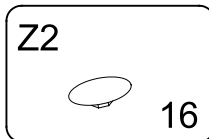
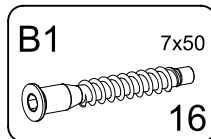
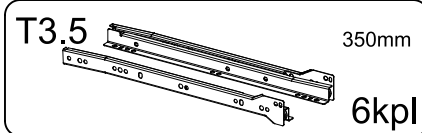
~90min



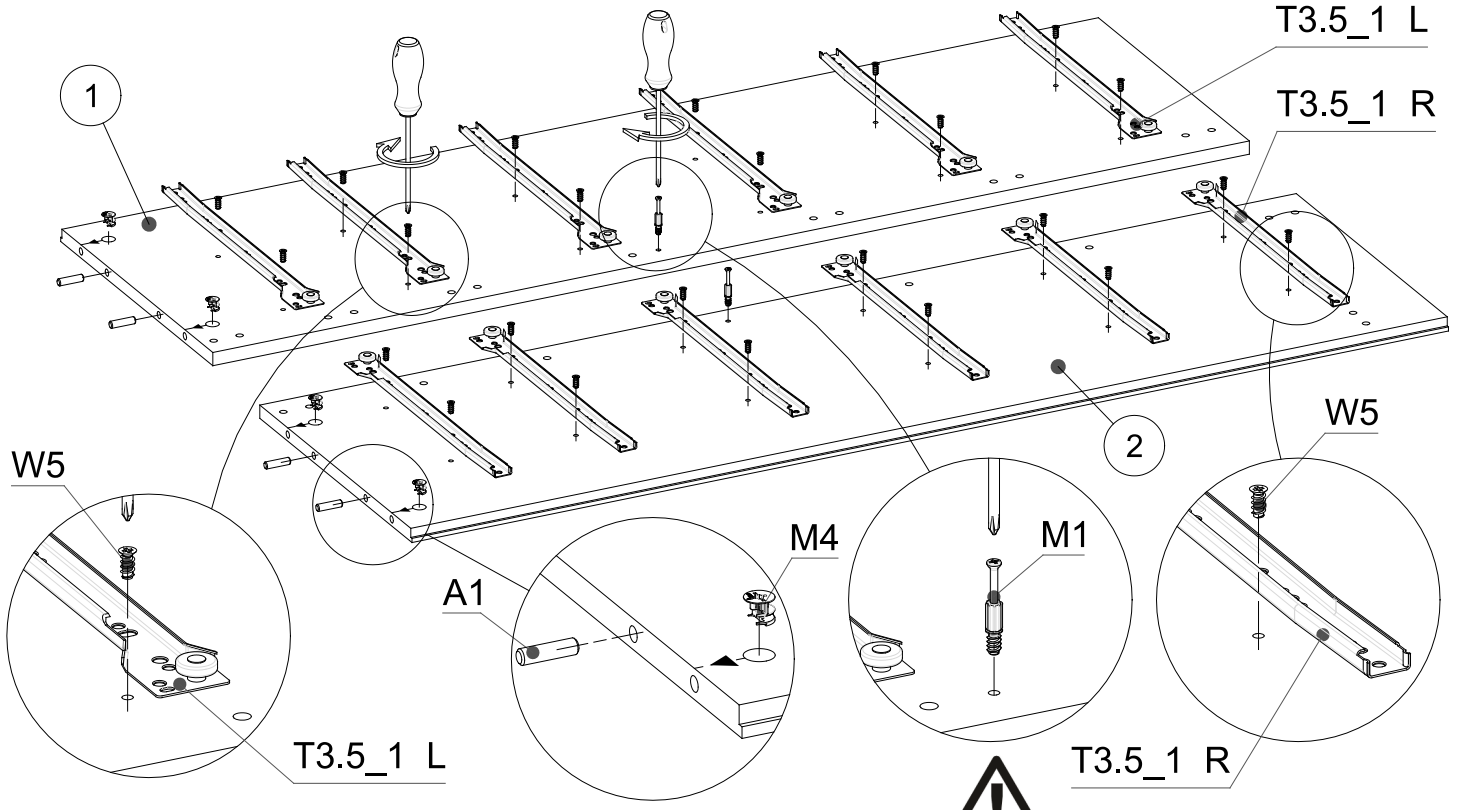
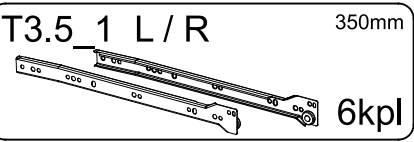
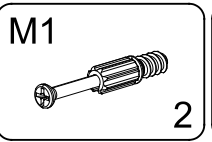
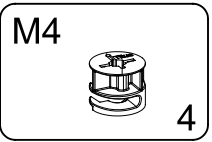
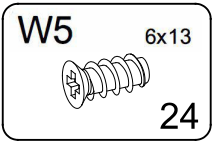
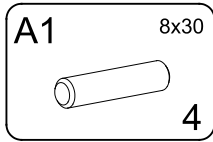
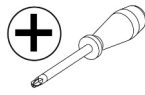




1	1277x375x16mm	1
2	1277x375x16mm	1
3	604x400x16mm	1
4	568x80x16mm	1
5	568x60x16mm	5
5M	568x60x16mm	1
6	568x100x16mm	1
7	360x100x16mm	4
8	360x100x16mm	4
9	510x99x16mm	4
10	360x65x16mm	2
11	360x65x16mm	2
12	510x64x16mm	2
13	596x200x16mm	4
14	596x133x16mm	2
15	365x540x3mm	6
16	1208x293x3mm	2

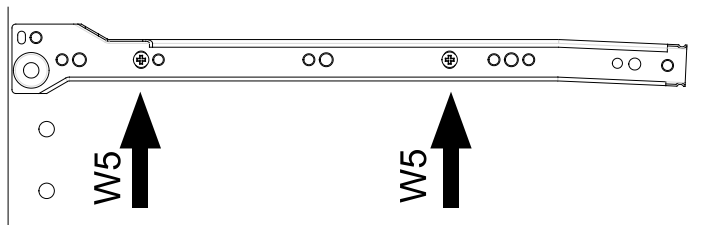
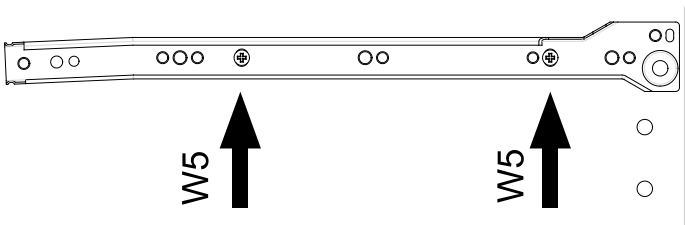


▶ 1

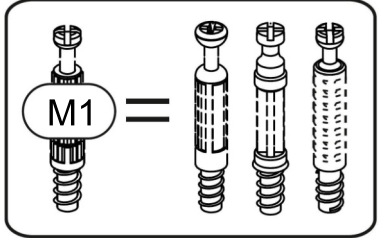
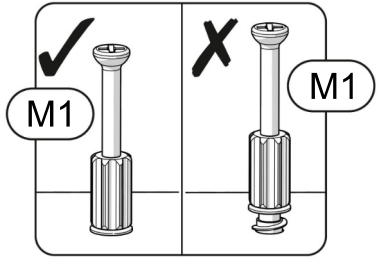
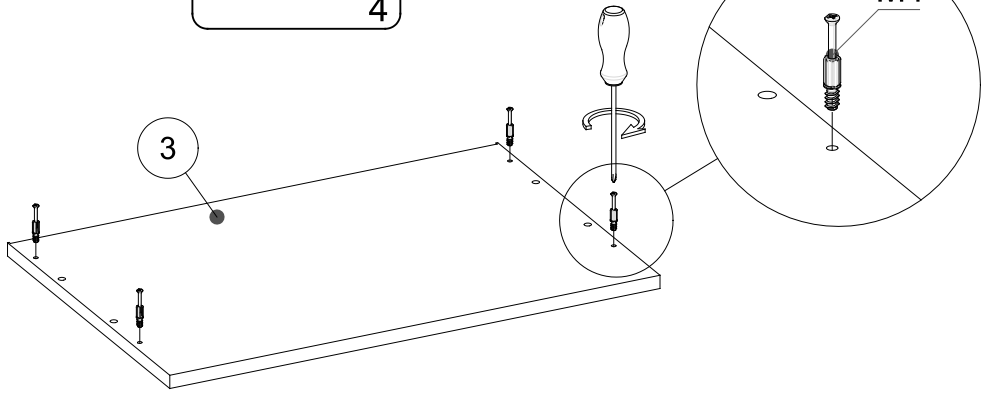
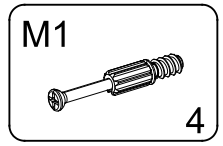
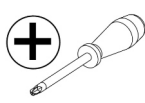


T3.5_1 R

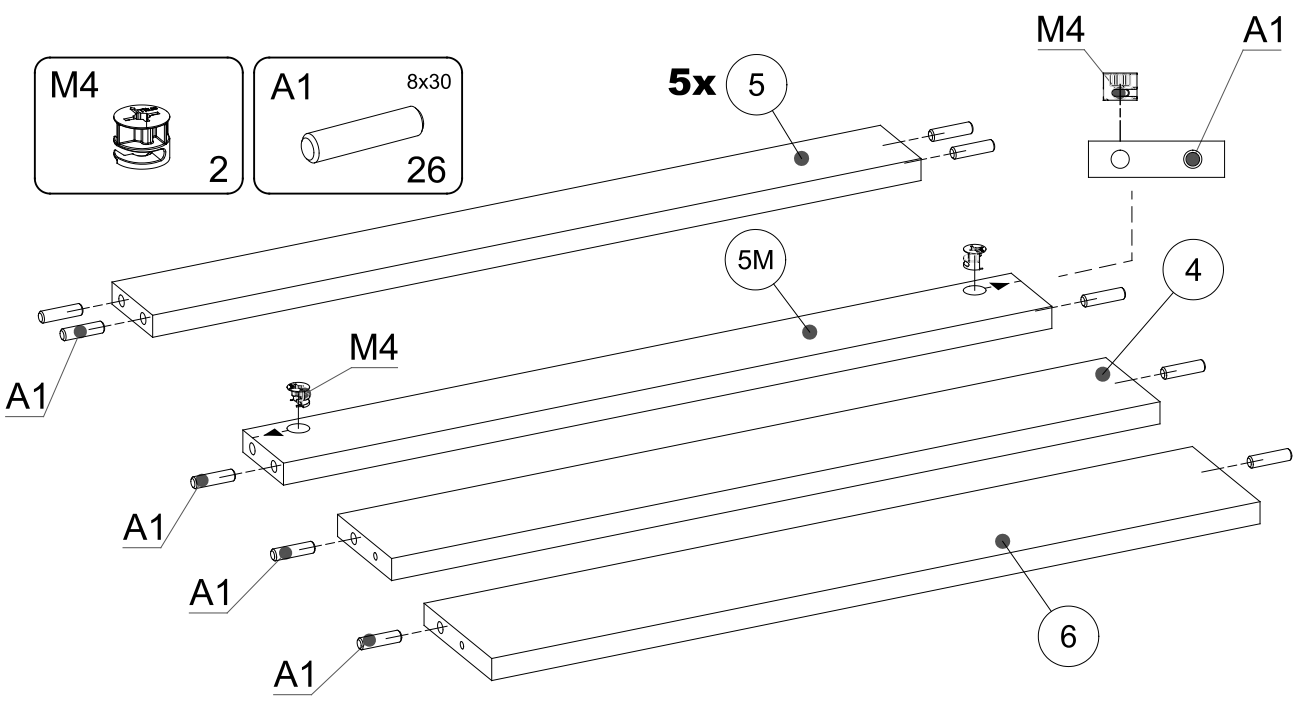
T3.5_1 L



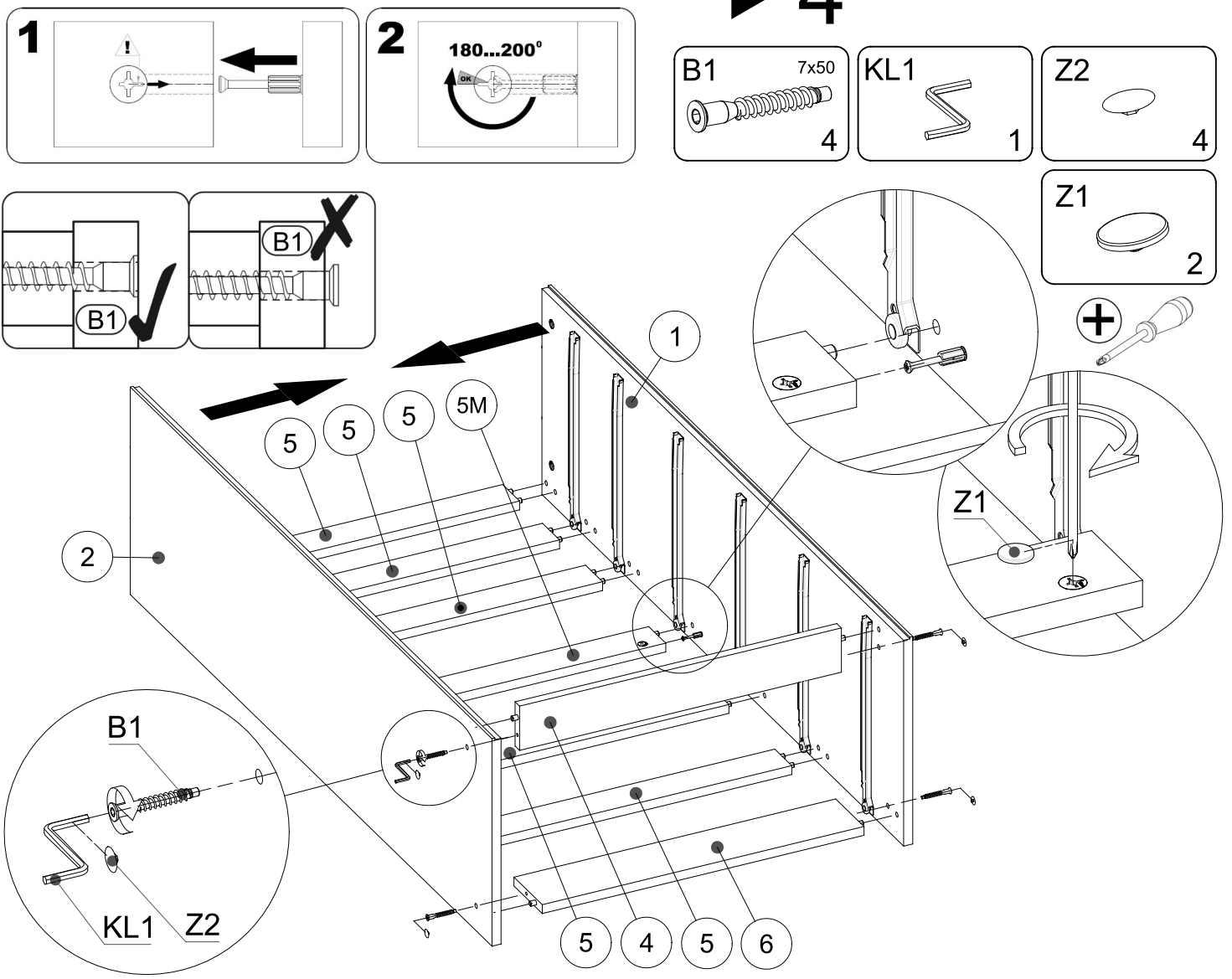
▶ 2

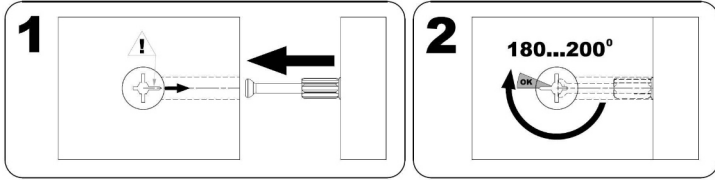


▶ 3

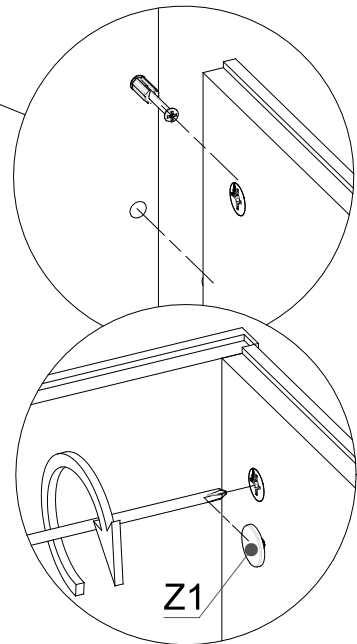
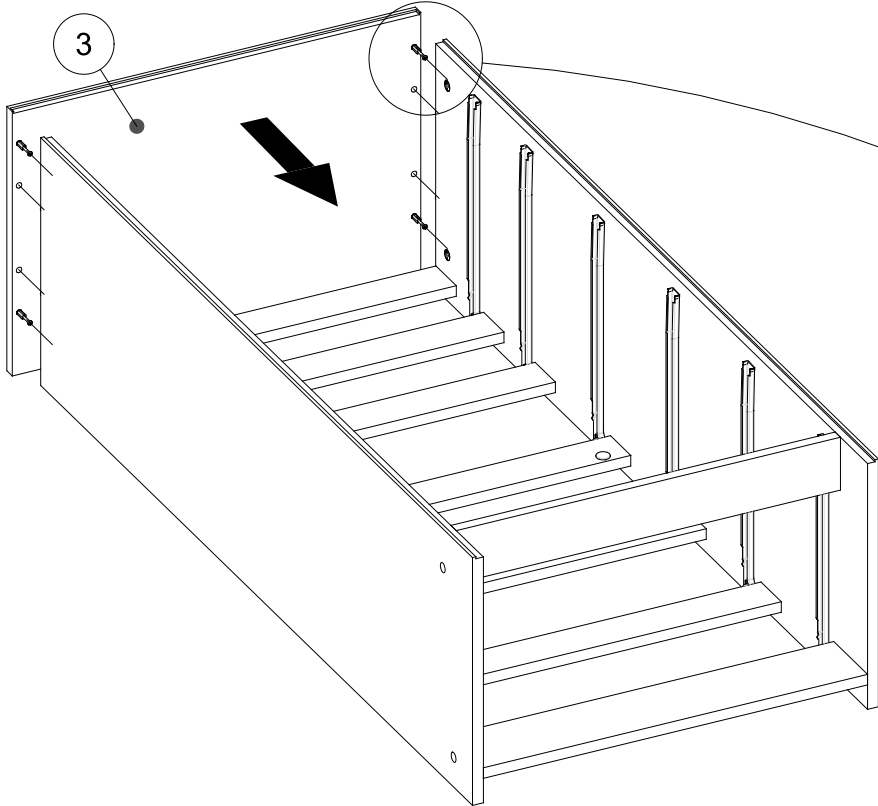
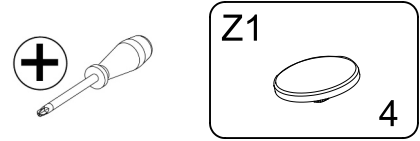


▶ 4

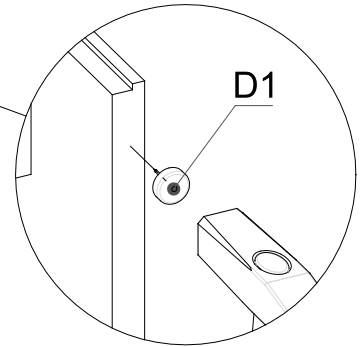
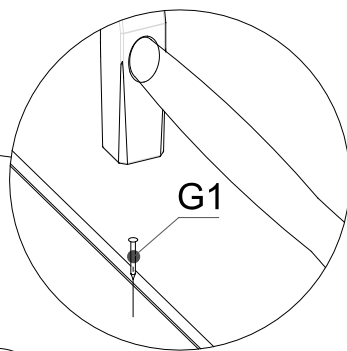
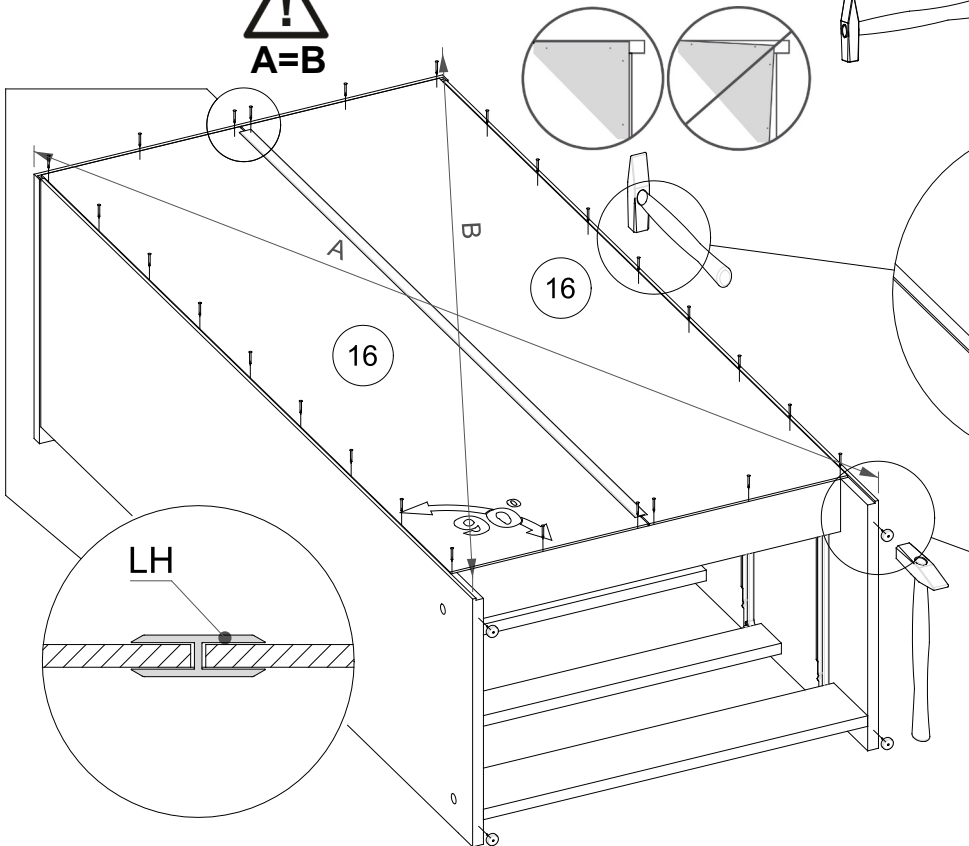
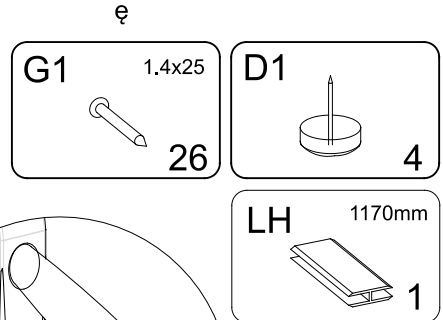




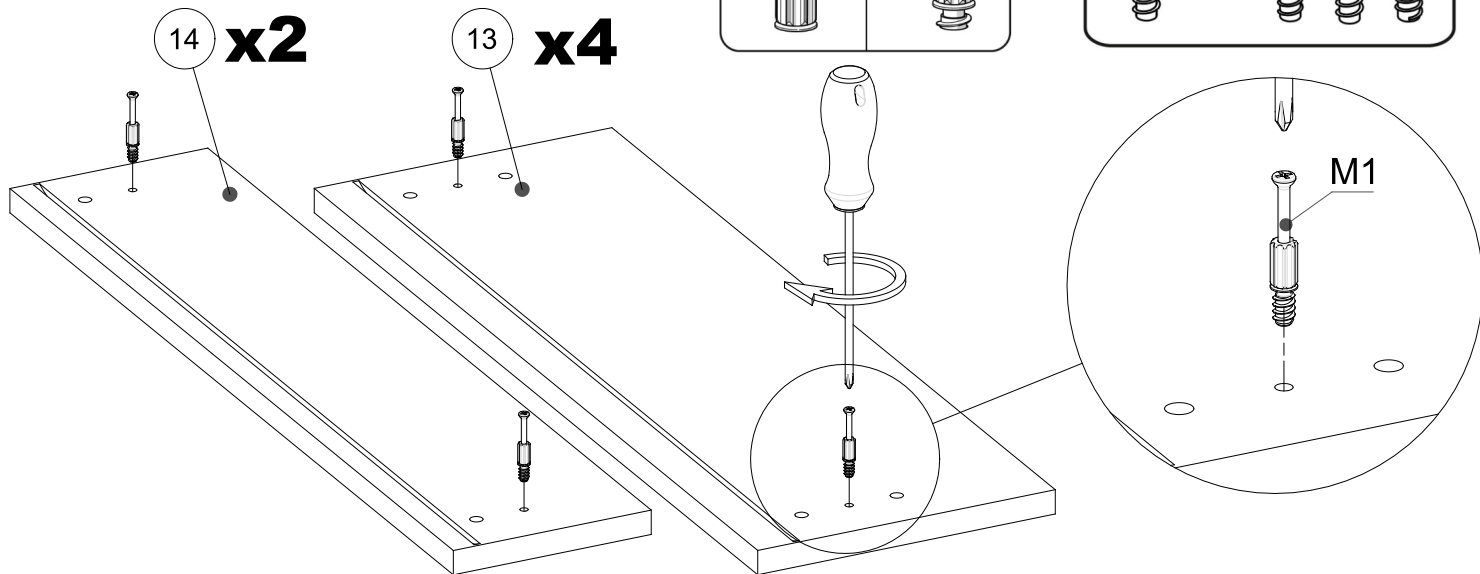
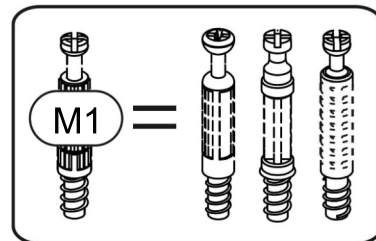
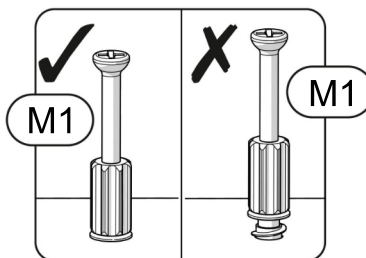
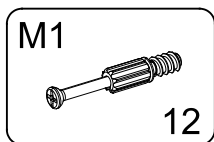
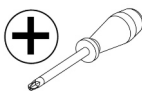
5



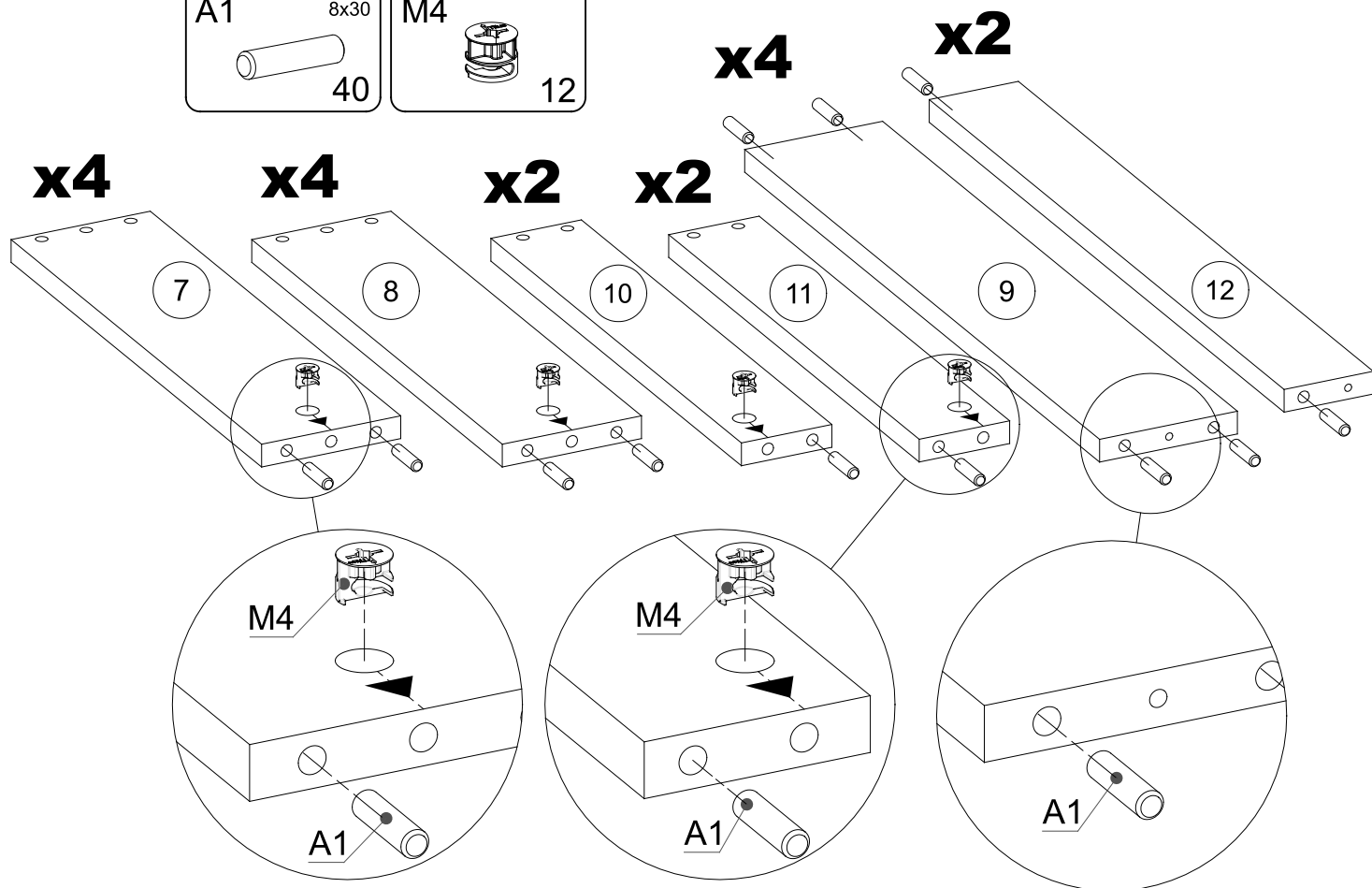
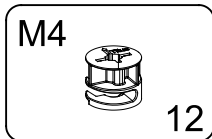
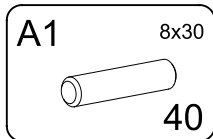
6



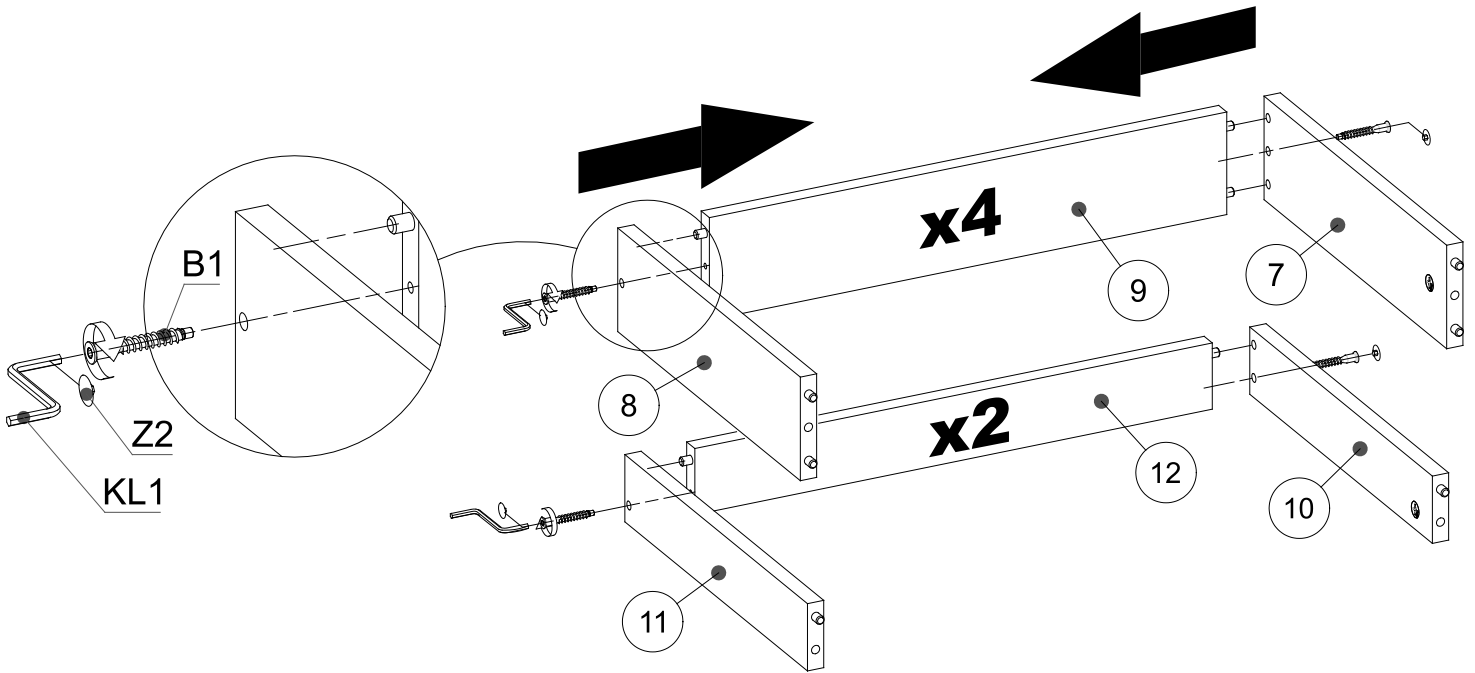
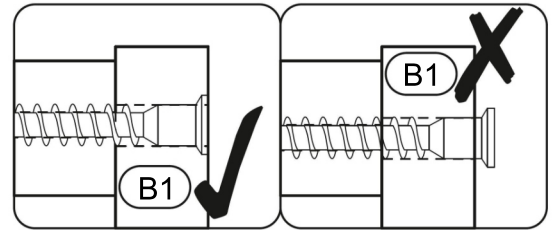
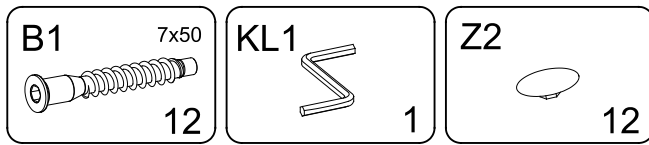
▶ 7



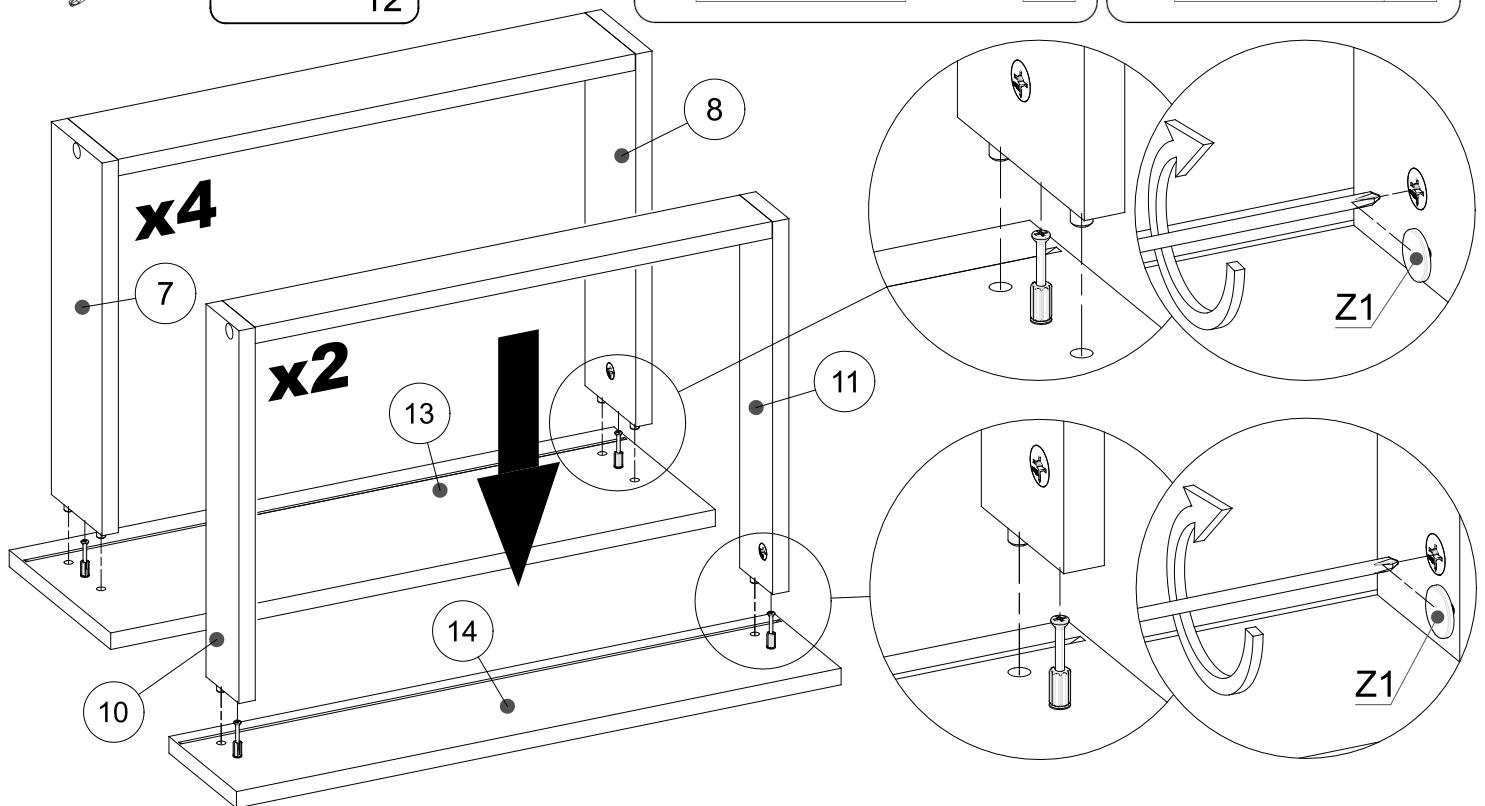
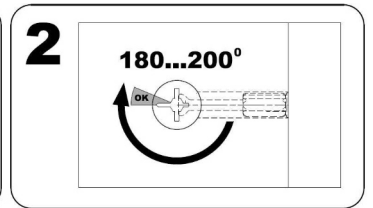
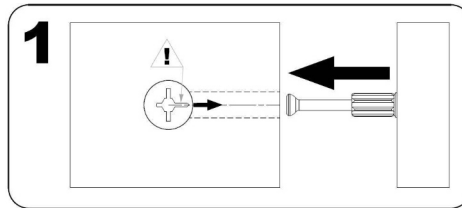
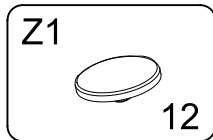
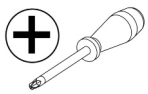
▶ 8



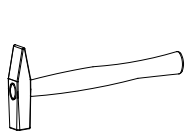
▶ 9



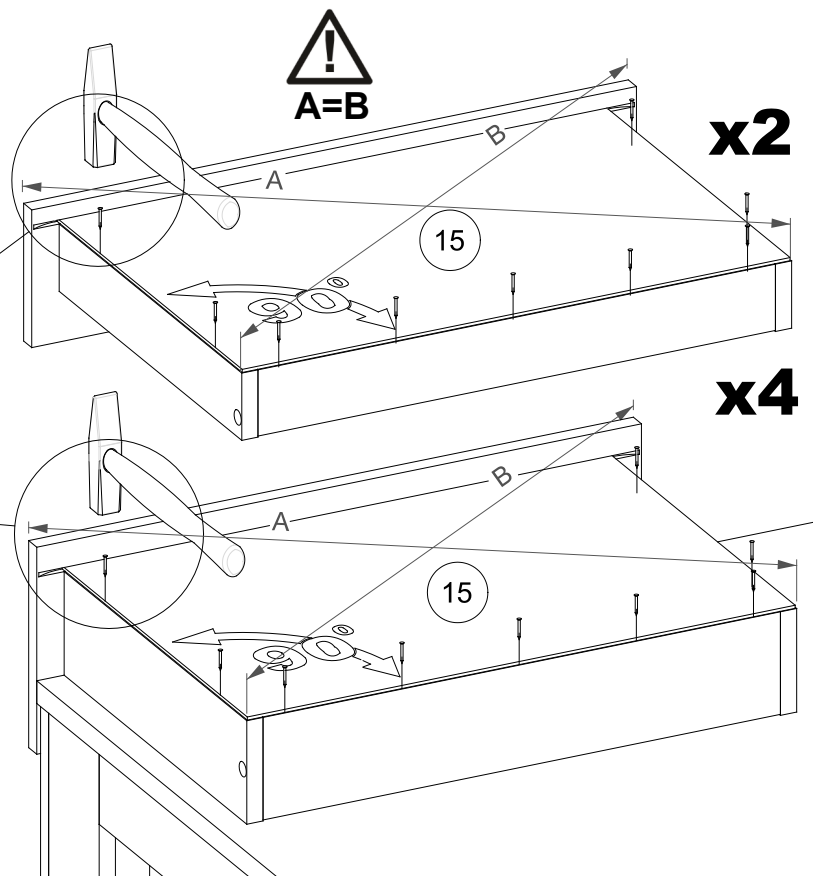
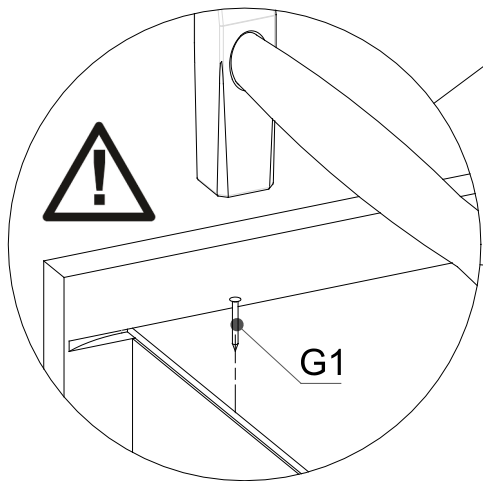
▶ 10



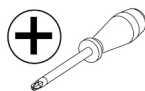
▶ 11



G1 1.4x25
54



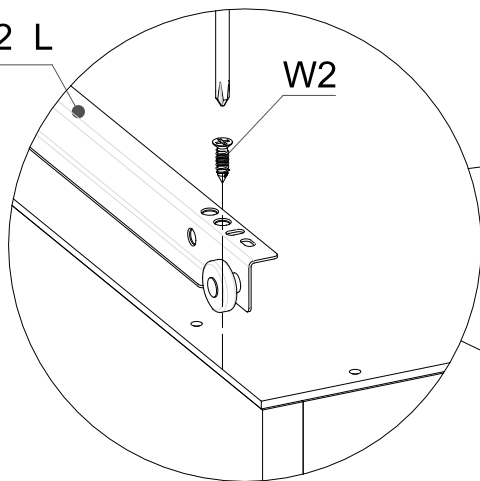
▶ 12



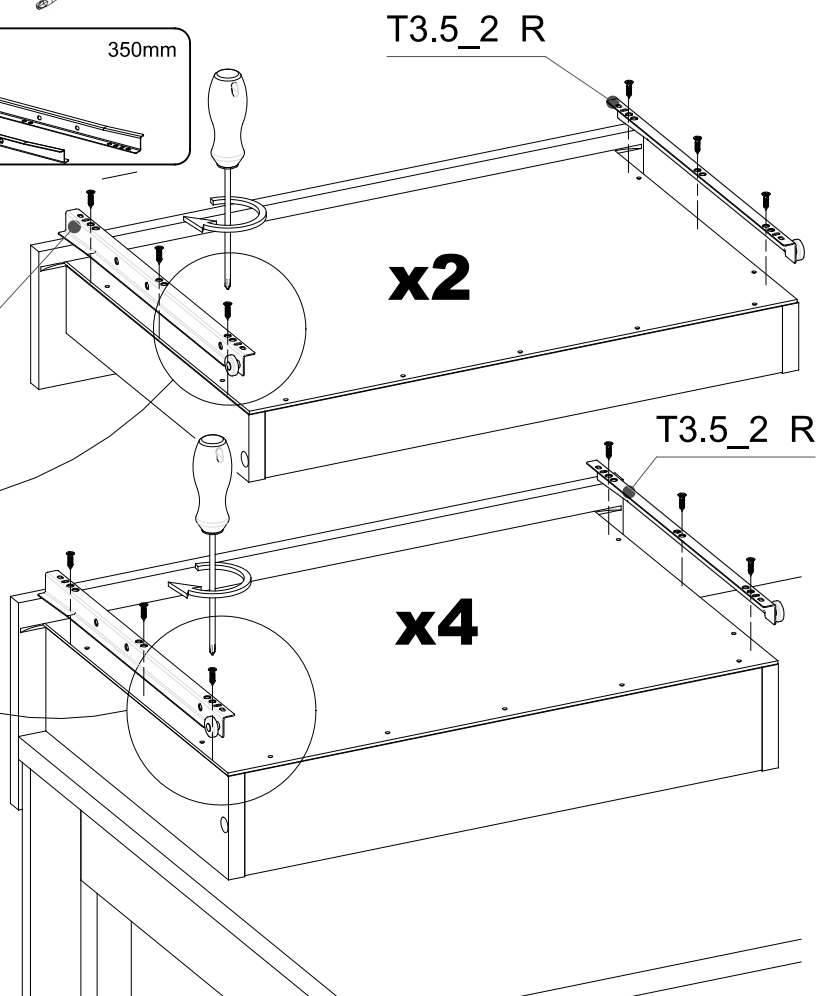
W2 3.5x16
36

T3.5_2 L/R 350mm
6kpl

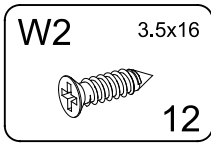
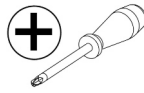
T3.5_2 L



T3.5_2 L



▶ 13



max. 20kg
max. 3kg

