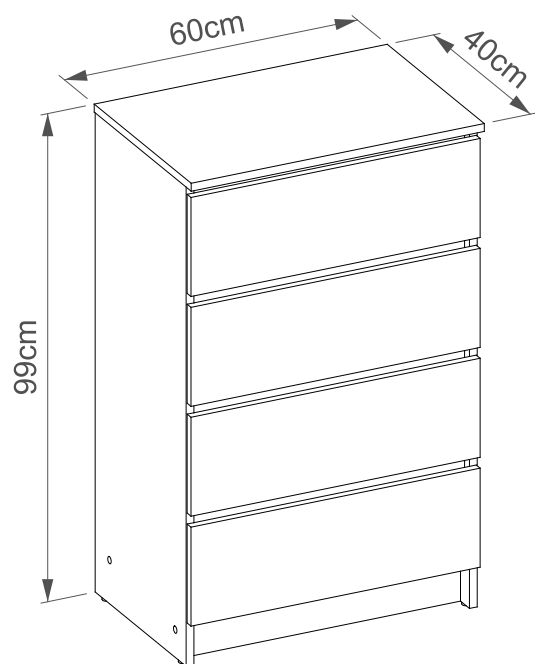
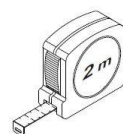
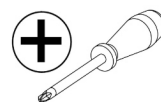
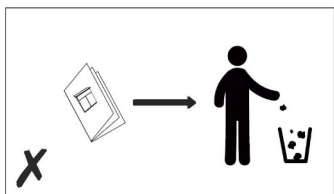
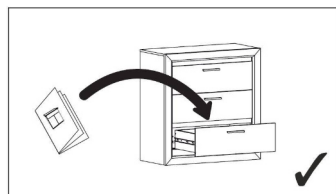
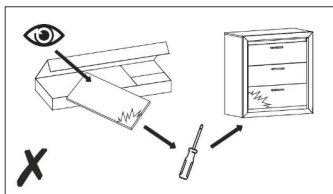
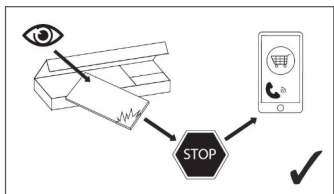
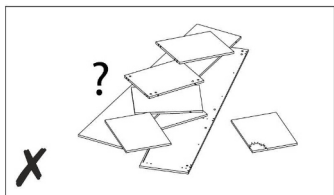
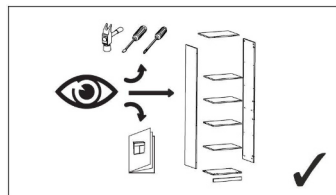
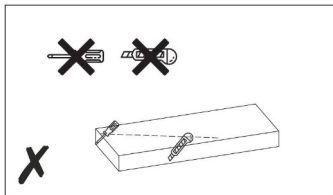
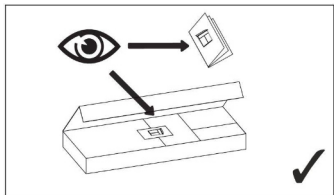
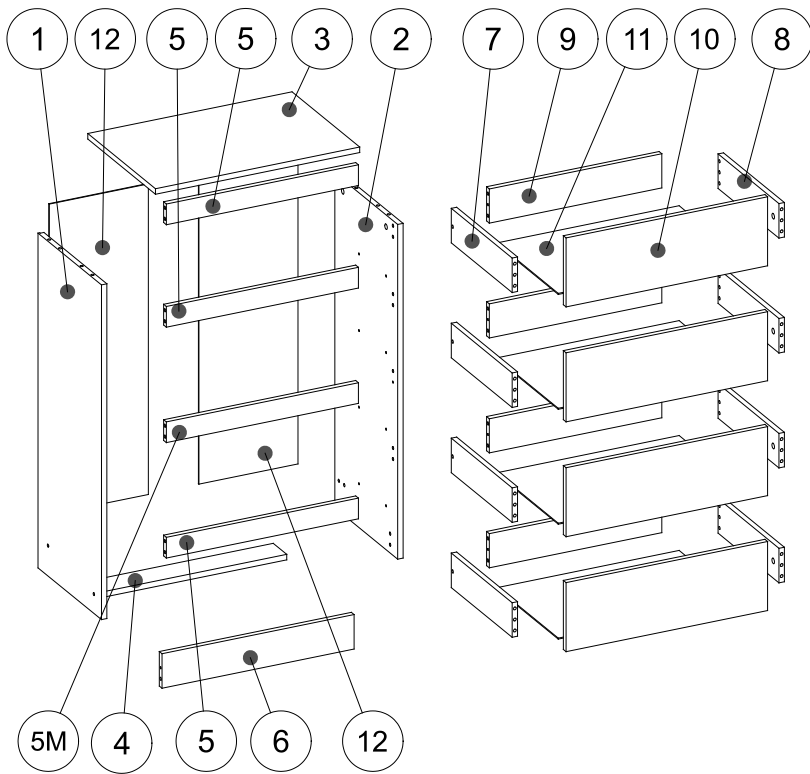


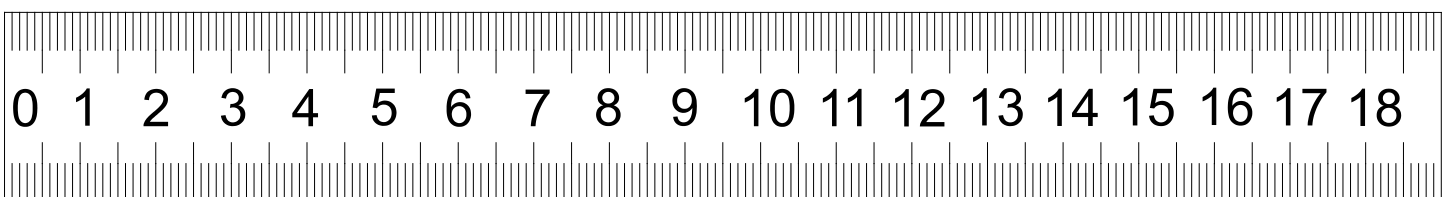
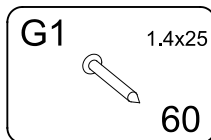
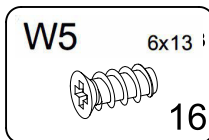
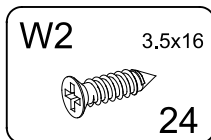
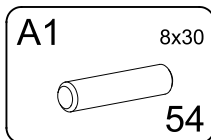
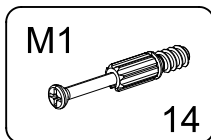
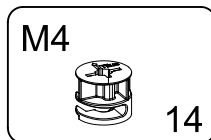
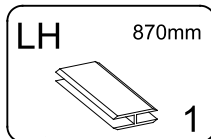
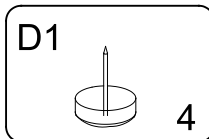
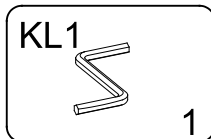
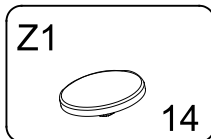
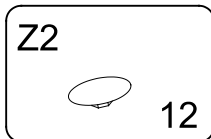
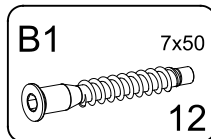
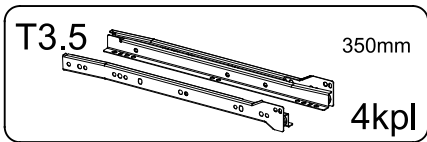
~80min







1	970x375x16mm	1
2	970x375x16mm	1
3	604x400x16mm	1
4	568x80x16mm	1
5	568x60x16mm	3
5M	568x60x16mm	1
6	568x100x16mm	1
7	360x100x16mm	4
8	360x100x16mm	4
9	510x99x16mm	4
10	596x200x16mm	4
11	365x540x3mm	4
12	900x293x3mm	2



▶ 1



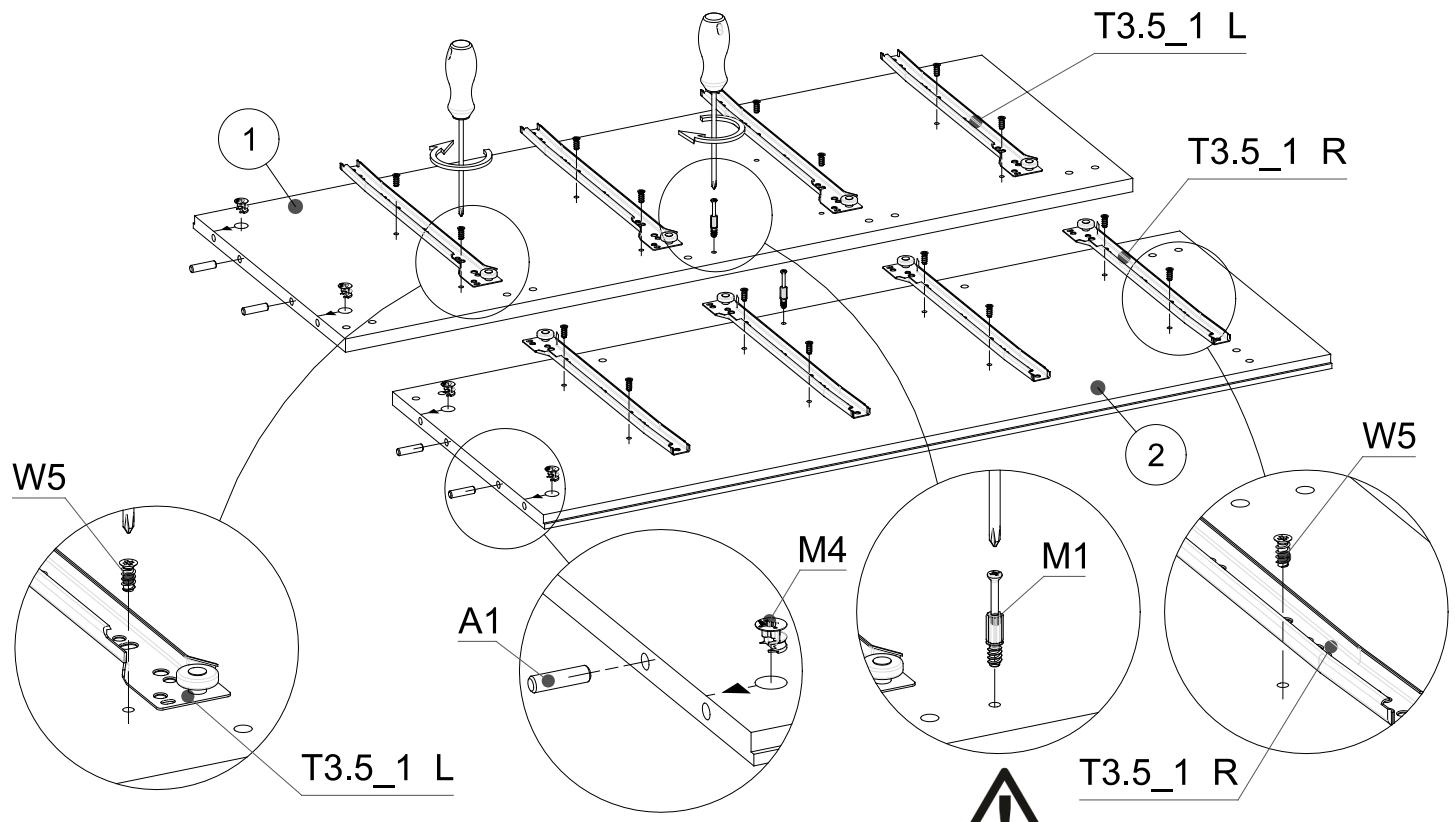
A1 8x30
4

W5 6x13
16

M4
4

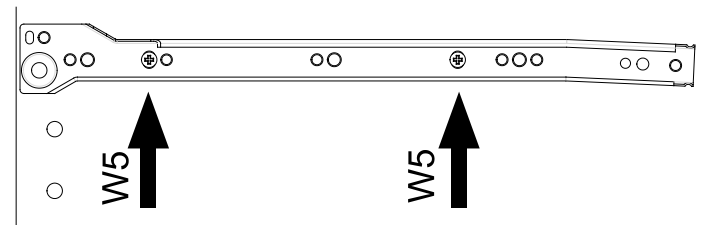
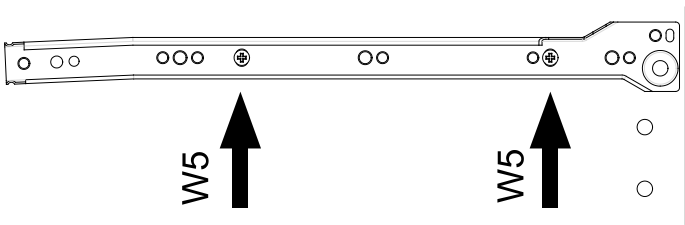
M1
2

T3.5_1 L/R 350mm
4kpl

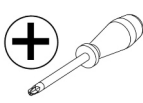


T3.5_1 R

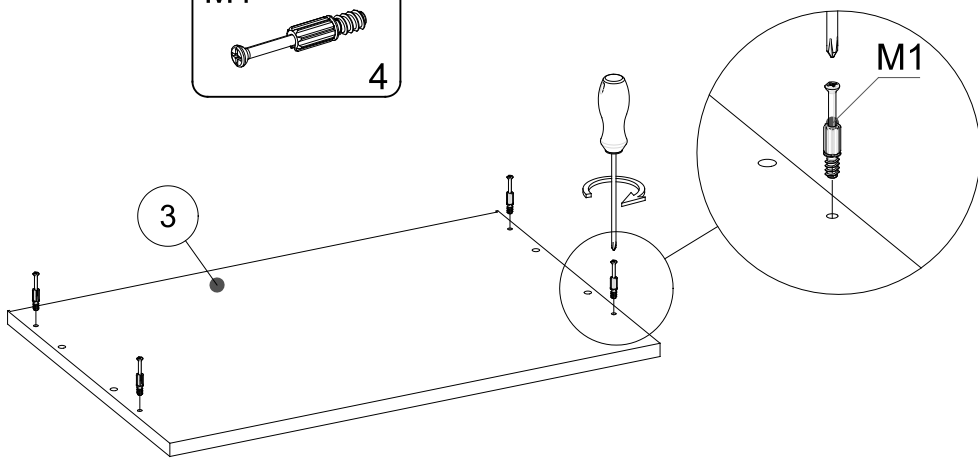
T3.5_1 L



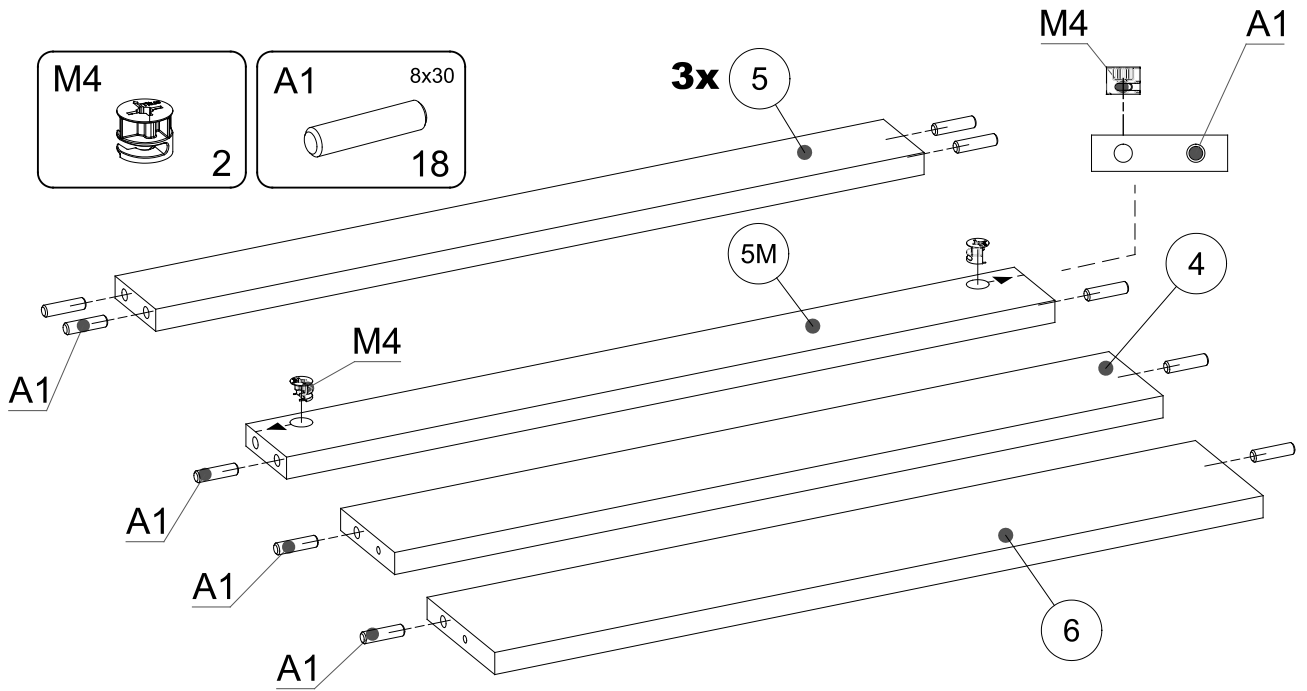
▶ 2



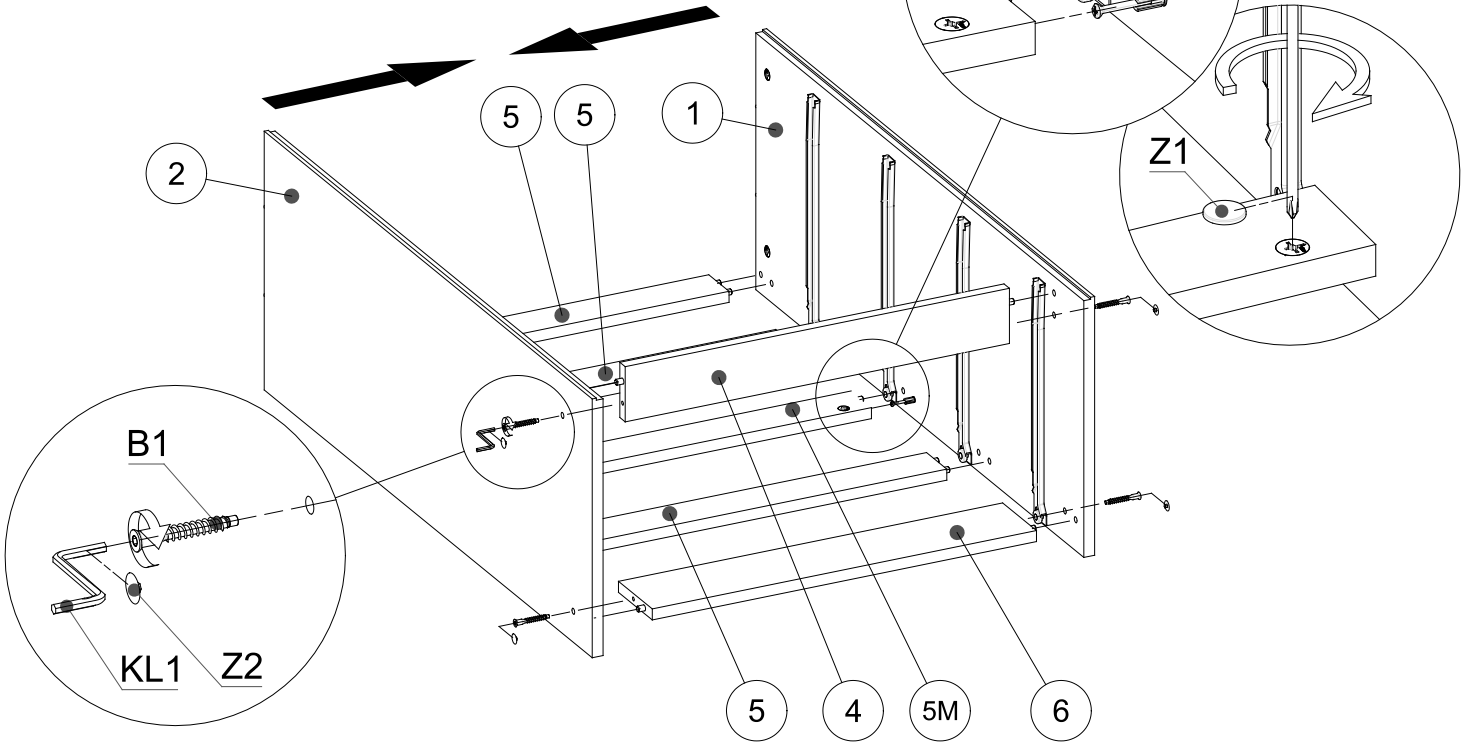
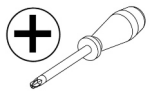
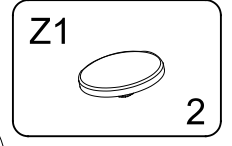
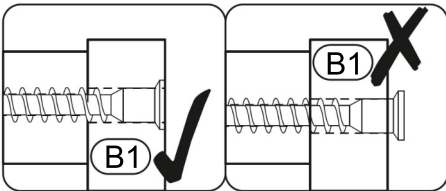
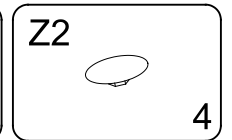
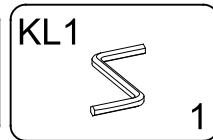
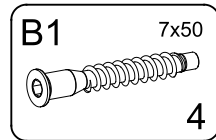
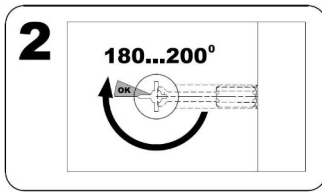
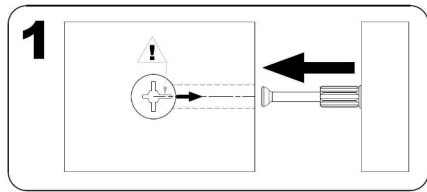
M1
4

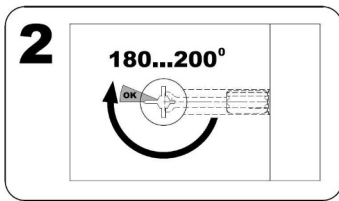
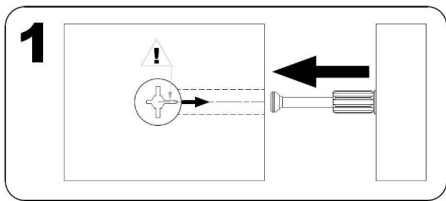


▶ 3

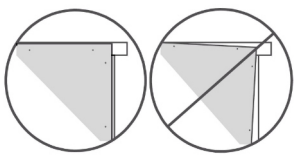
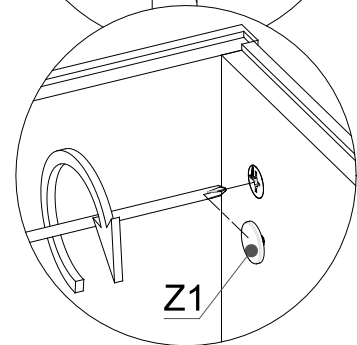
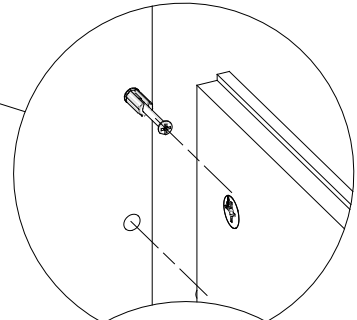
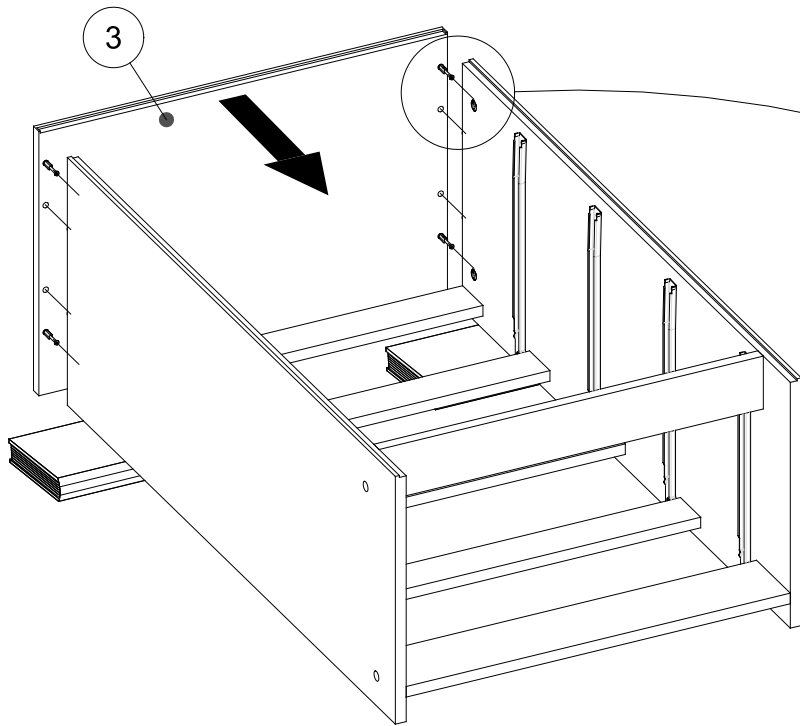
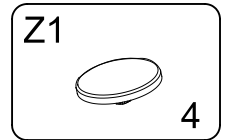
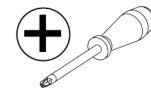


▶ 4

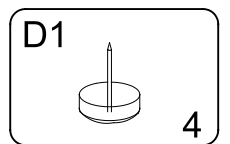
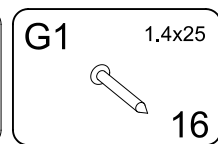
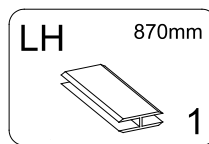




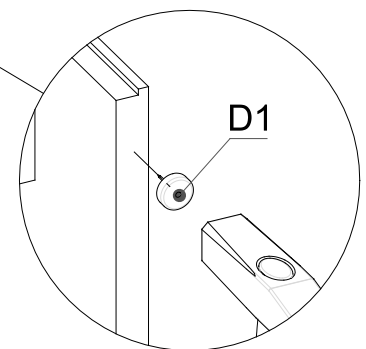
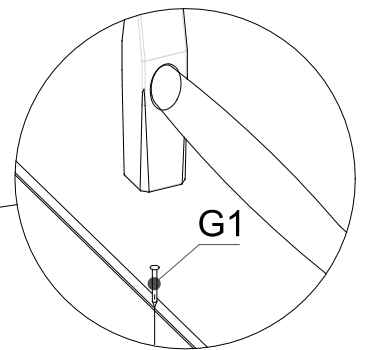
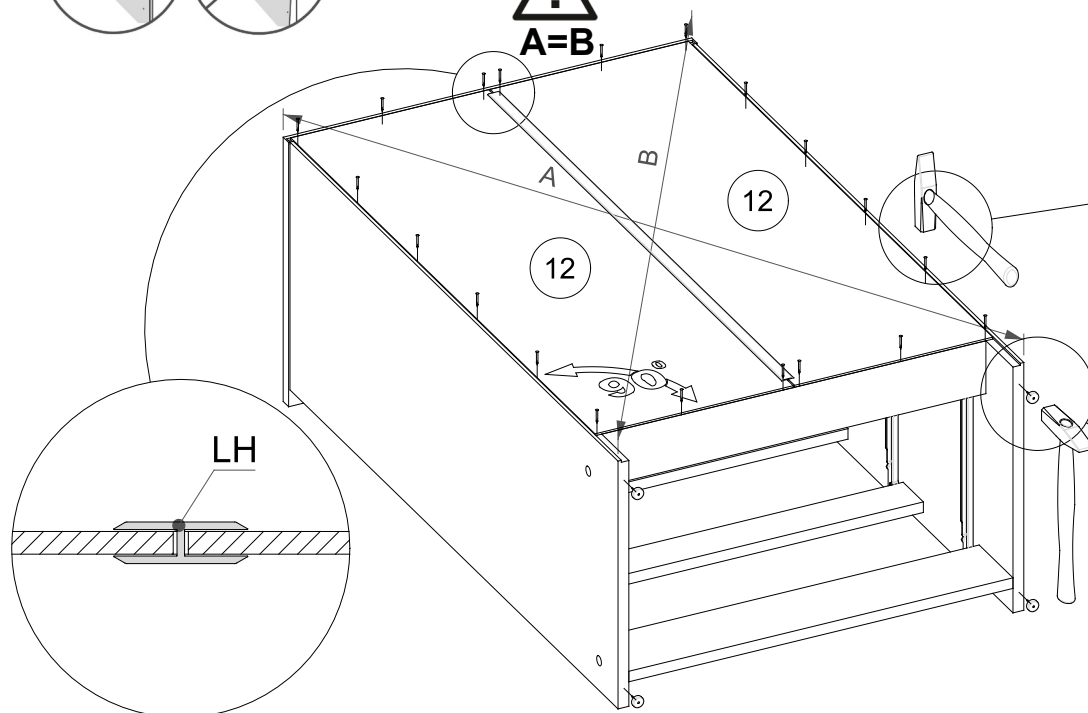
5



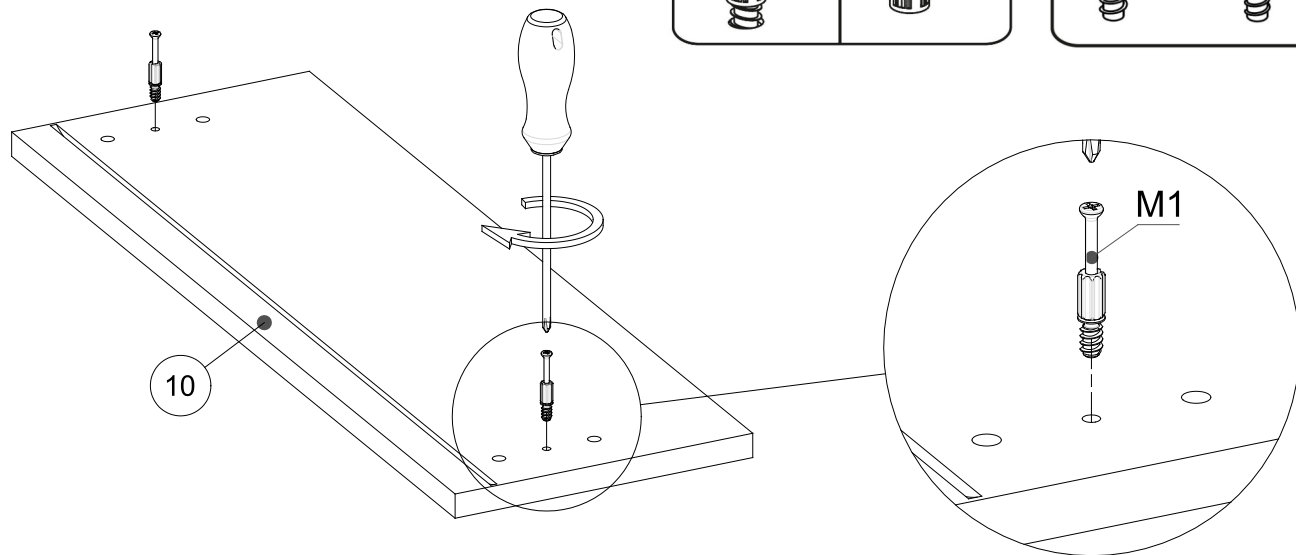
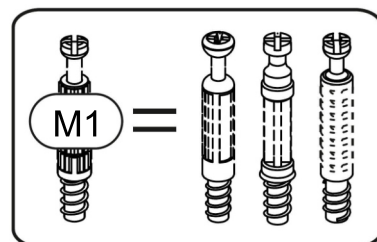
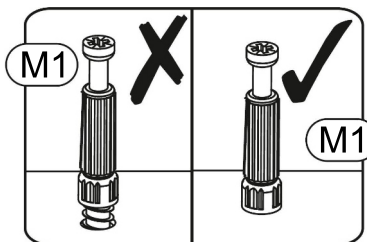
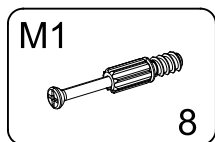
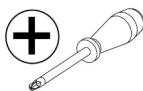
6



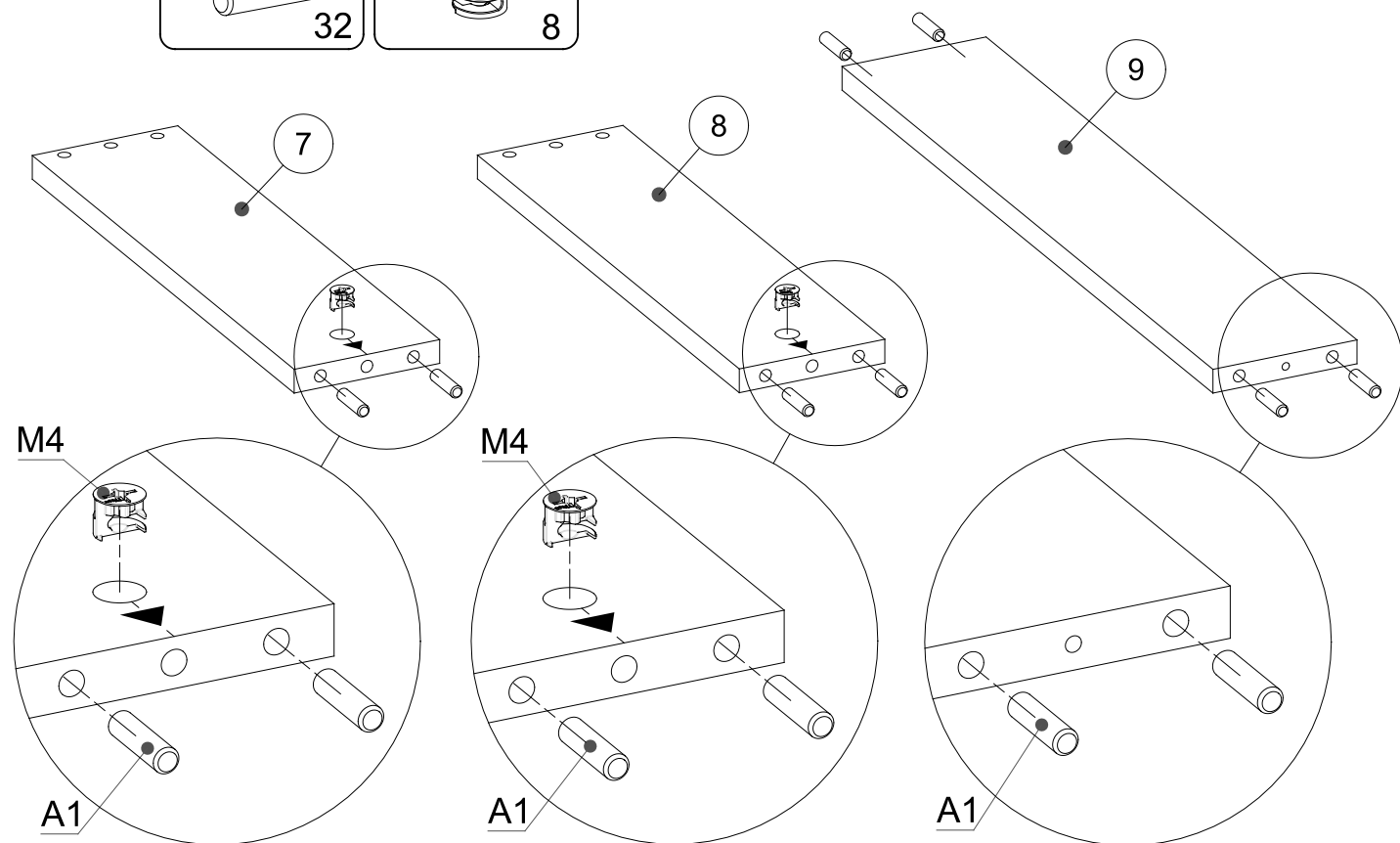
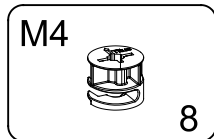
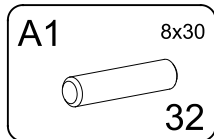
A=B



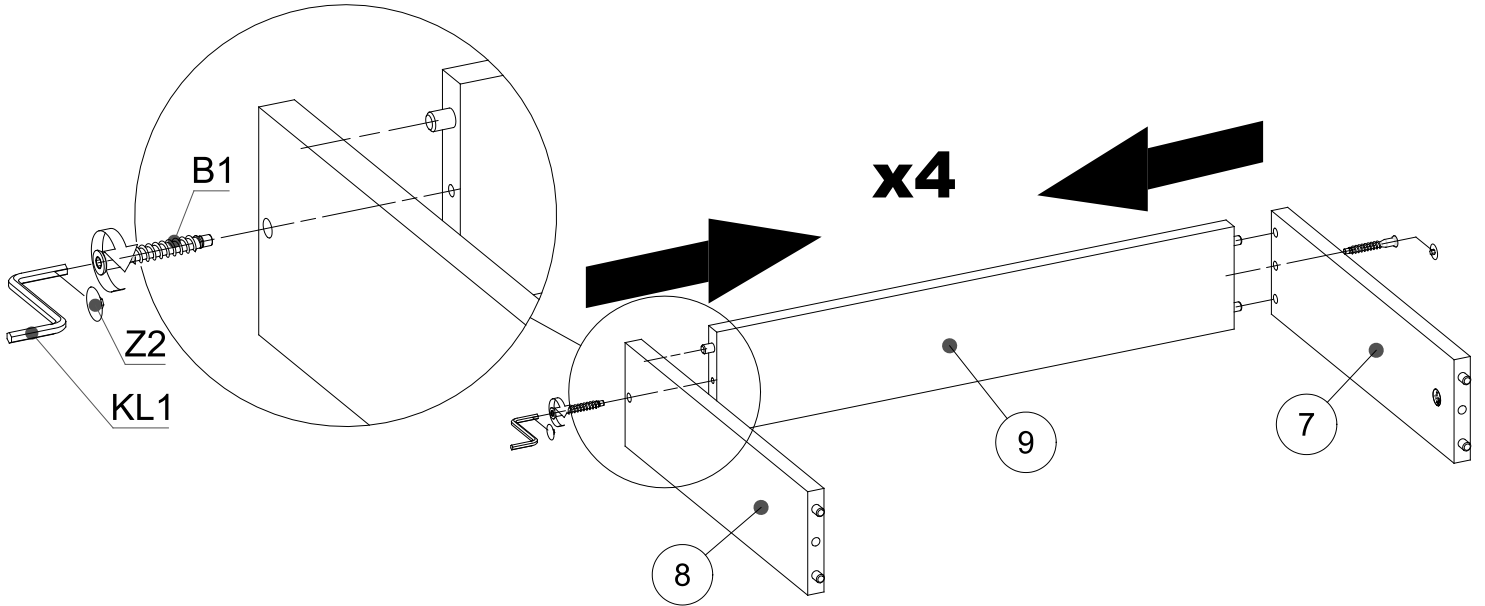
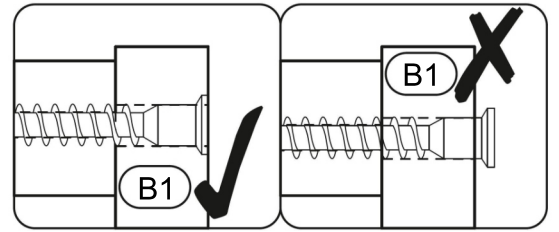
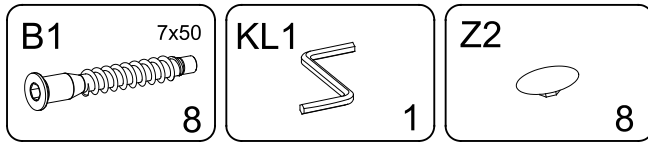
▶ 7



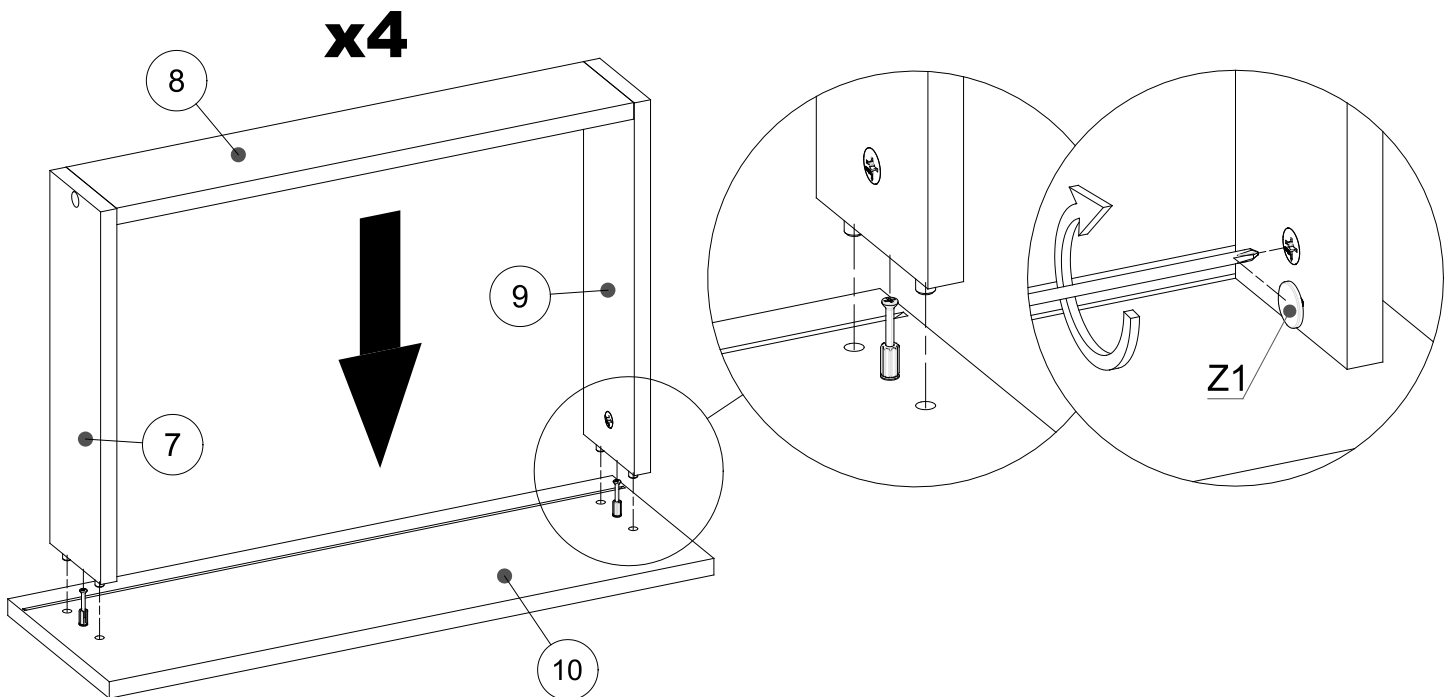
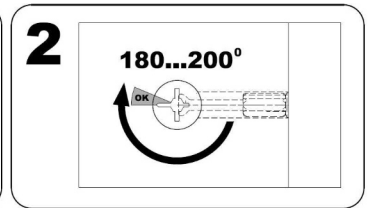
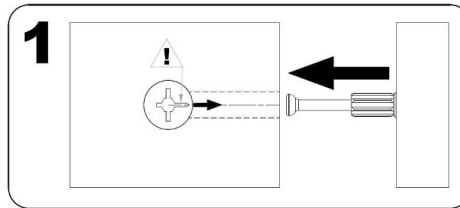
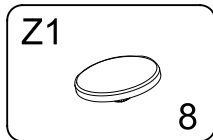
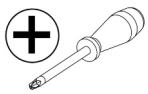
▶ 8



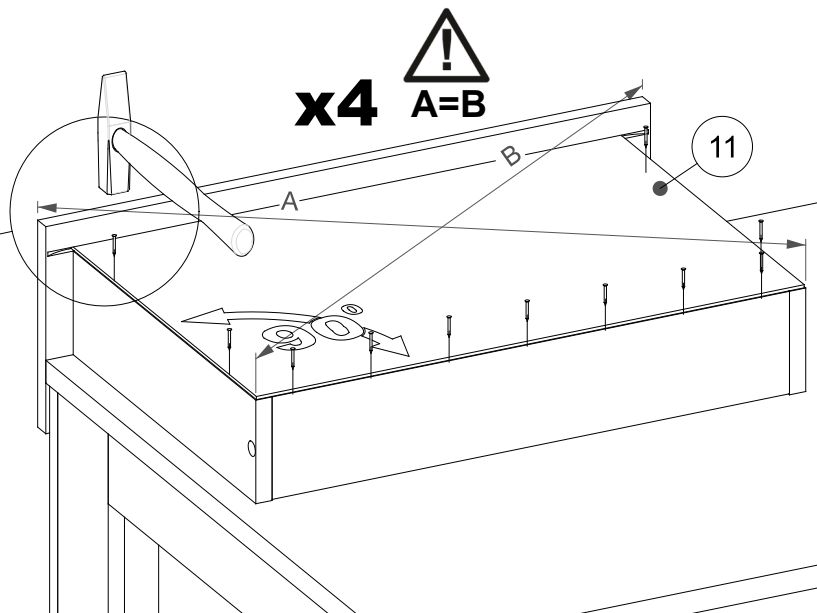
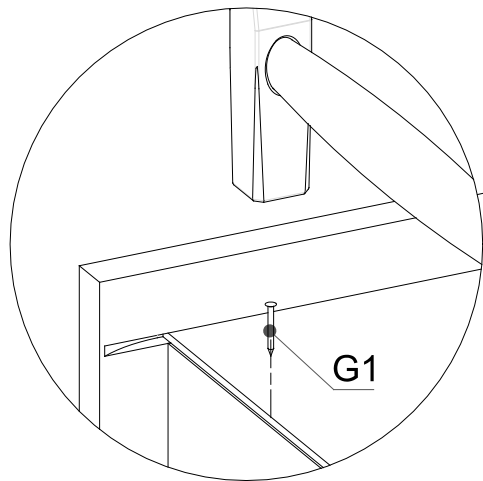
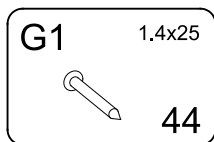
▶ 9



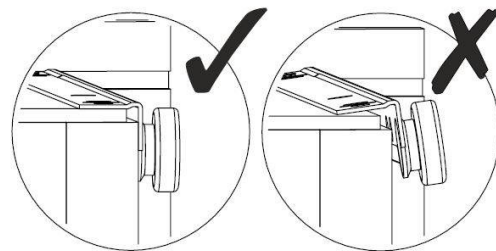
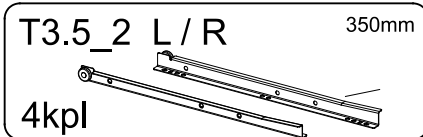
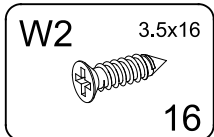
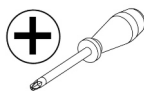
▶ 10



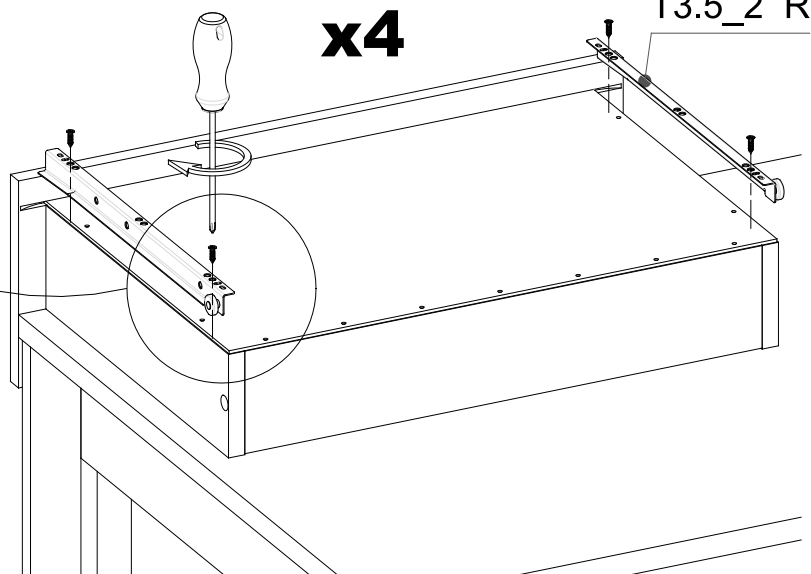
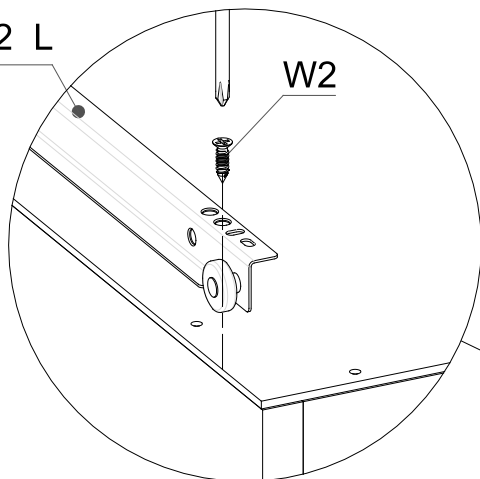
▶ 11



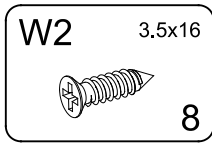
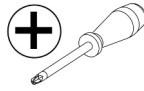
▶ 12



T3.5_2 L



▶ 13



max. 20kg
max. 3kg

